



US00D845073S

(12) **United States Design Patent**
Liu

(10) **Patent No.:** **US D845,073 S**

(45) **Date of Patent:** **** Apr. 9, 2019**

(54) **BOTTLE**

(71) Applicant: **Free-Free Industrial Corp.**, Taipei (TW)

(72) Inventor: **Sheng-Yu Liu**, Taipei (TW)

(73) Assignee: **FREE-FREE INDUSTRIAL CORP.**, Taipei (TW)

(**) Term: **15 Years**

(21) Appl. No.: **29/618,710**

(22) Filed: **Sep. 22, 2017**

(51) **LOC (11) Cl.** **07-01**

(52) **U.S. Cl.**
USPC **D7/507; D7/510; D7/523; D7/532; D7/624.2; D7/300.2**

(58) **Field of Classification Search**
USPC **D7/505, 507, 509, 510, 511, 523, 532, D7/608, 300.1, 213, 392.1, 396.2, 387, D7/396.6, 624.1, 624.2, 529, 396.4, 533, D7/536, 531, 300.2, 667; D9/500, 501, D9/502, 503, 504, 505, 516, 530, 556, D9/569, 537, 549, 557, 546, 517; 220/529.16, 529.17; D24/197; 215/381; D23/207, 209; D14/212, 214, 216; D3/202, 203.2, 203.3, 300**
CPC **A47G 19/2205; A47G 19/2272; A47G 19/2266; A47J 43/27; A47J 41/02; A45F 3/16**

See application file for complete search history.

(56) **References Cited**

U.S. PATENT DOCUMENTS

D384,539 S * 10/1997 Joergensen D7/316
D427,001 S * 6/2000 Cohen D7/300.2
D429,942 S * 8/2000 Cohen D7/300.2

D430,447 S * 9/2000 Thuma D7/300.2
D457,034 S * 5/2002 Bodum D7/510
D558,532 S * 1/2008 Peterson D7/615
D567,006 S * 4/2008 Bodum D7/317
D604,042 S * 11/2009 Lown D3/229
D618,065 S * 6/2010 Joy D7/607
D629,259 S * 12/2010 Joy D7/607
D644,072 S * 8/2011 McDonald D7/667
D656,365 S * 3/2012 Bickert D7/523
D681,388 S * 5/2013 Bodum D7/317
D683,186 S * 5/2013 Tobias D7/510
D694,565 S * 12/2013 Zeghibe D7/300.2
D727,102 S * 4/2015 Eyal D7/510
D752,765 S * 3/2016 Taylor D24/197
D765,453 S * 9/2016 Suquet D7/300.2
D769,044 S * 10/2016 Hollander D7/300.2
D771,963 S * 11/2016 Patel D6/352
D777,514 S * 1/2017 McMullin D7/400
D781,113 S * 3/2017 Kocsis D7/624.2

(Continued)

Primary Examiner — Marianne N Pandozzi

Assistant Examiner — Jae Liang

(74) *Attorney, Agent, or Firm* — DLA Piper LLP (US)

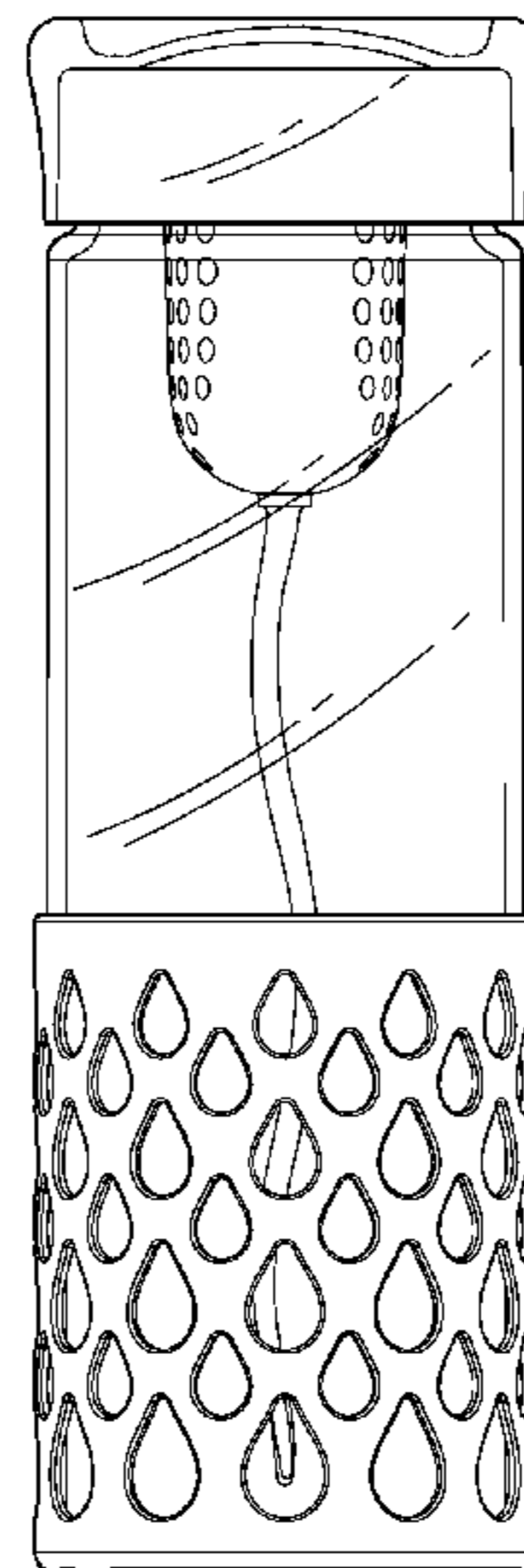
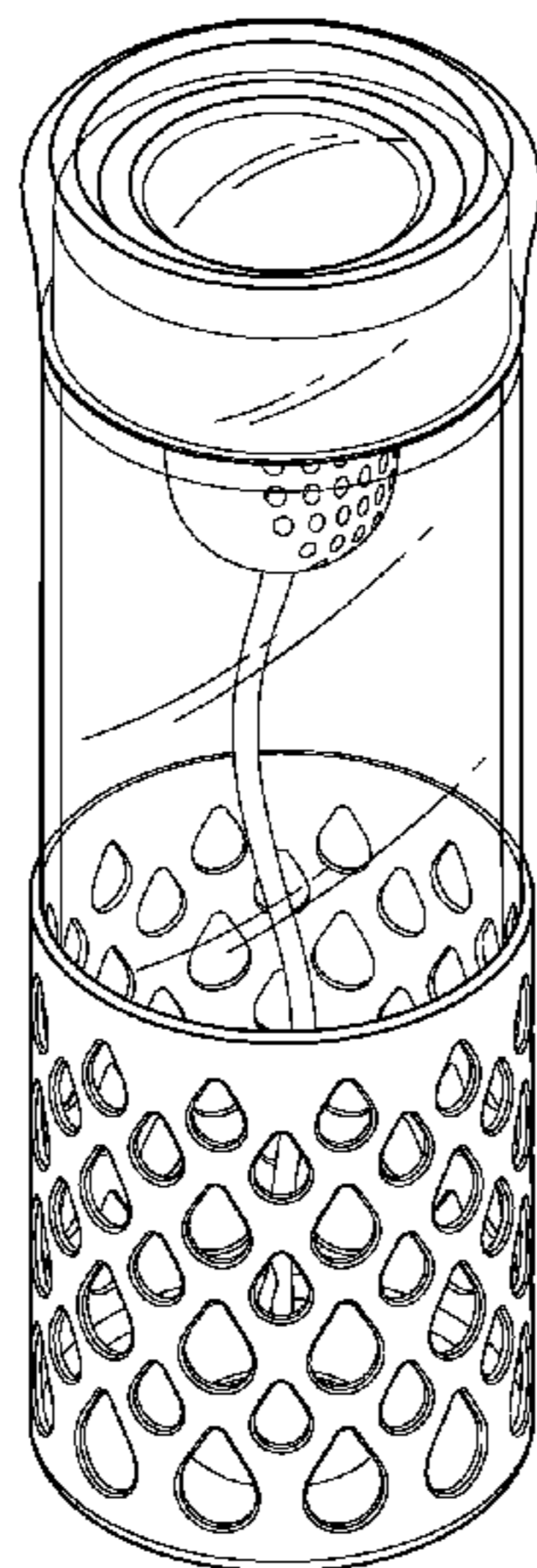
(57) **CLAIM**

The ornamental design for a bottle, as shown and described.

DESCRIPTION

FIG. 1 is a perspective view of a bottle showing my new design;
FIG. 2 is a front elevational view thereof;
FIG. 3 is a rear elevational view thereof;
FIG. 4 is a left side elevational view thereof;
FIG. 5 is a right side elevational view thereof;
FIG. 6 is a top plan view thereof;
FIG. 7 is a bottom plan view thereof;
FIG. 8 is an exploded perspective view thereof; and,
FIG. 9 is another exploded perspective view thereof.
The broken lines depict portions of a bottle in which the design is embodied that form no part of the claimed design.

1 Claim, 6 Drawing Sheets



(56)

References Cited

U.S. PATENT DOCUMENTS

D802,375 S * 11/2017 Kao D7/624.2
D814,866 S * 4/2018 Rocheford D7/511
2009/0057257 A1* 3/2009 Marcus A61J 9/08
215/11.6

* cited by examiner

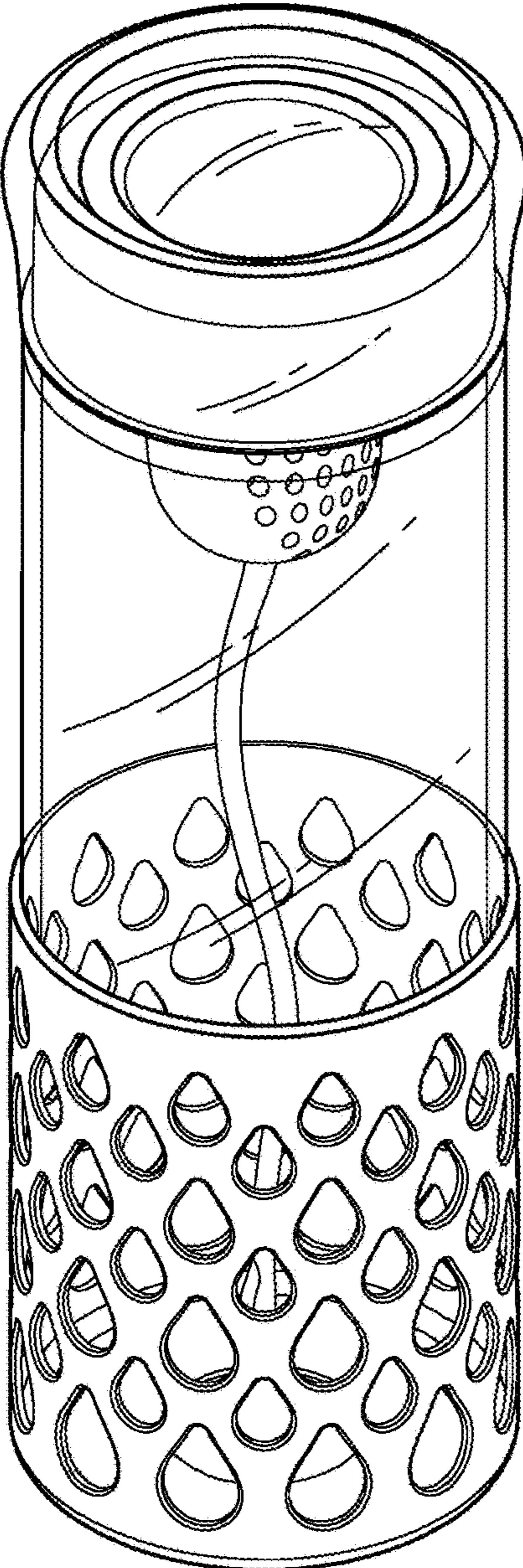


FIG.1

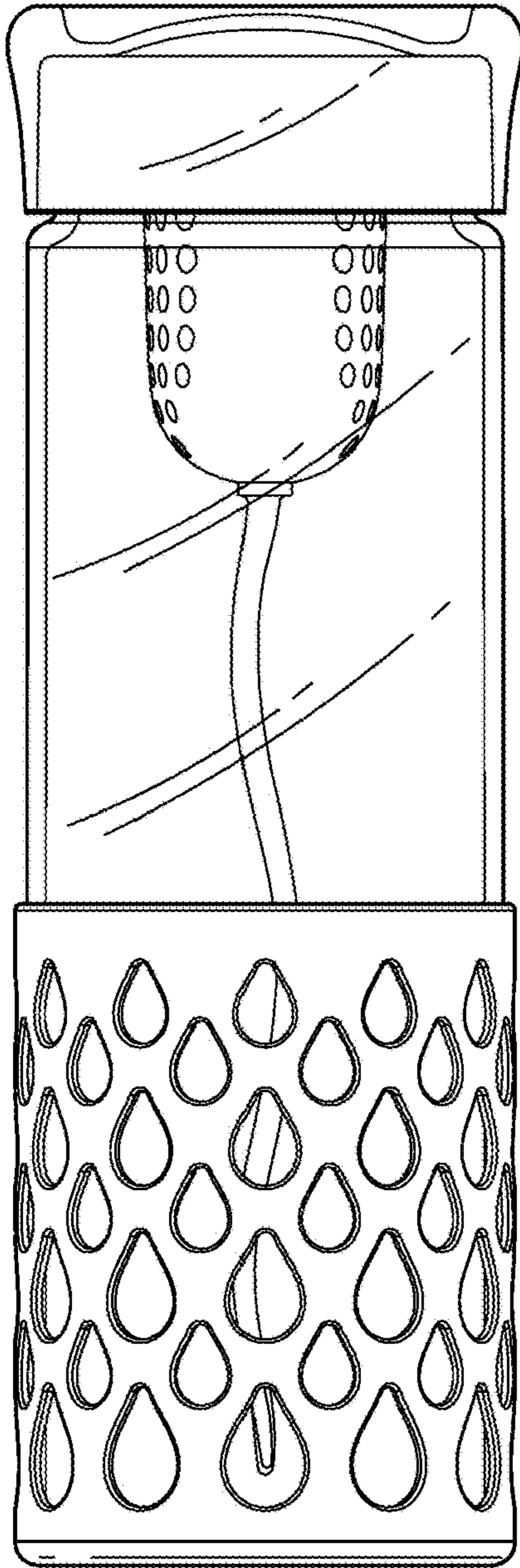


FIG. 2

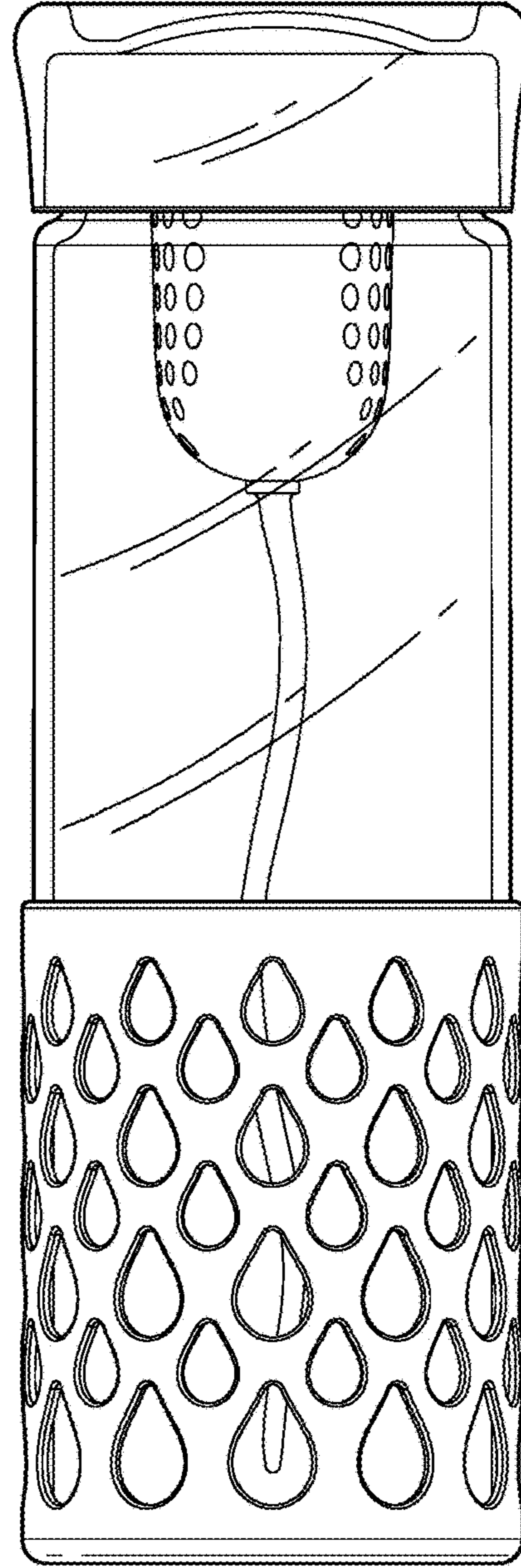


FIG. 3

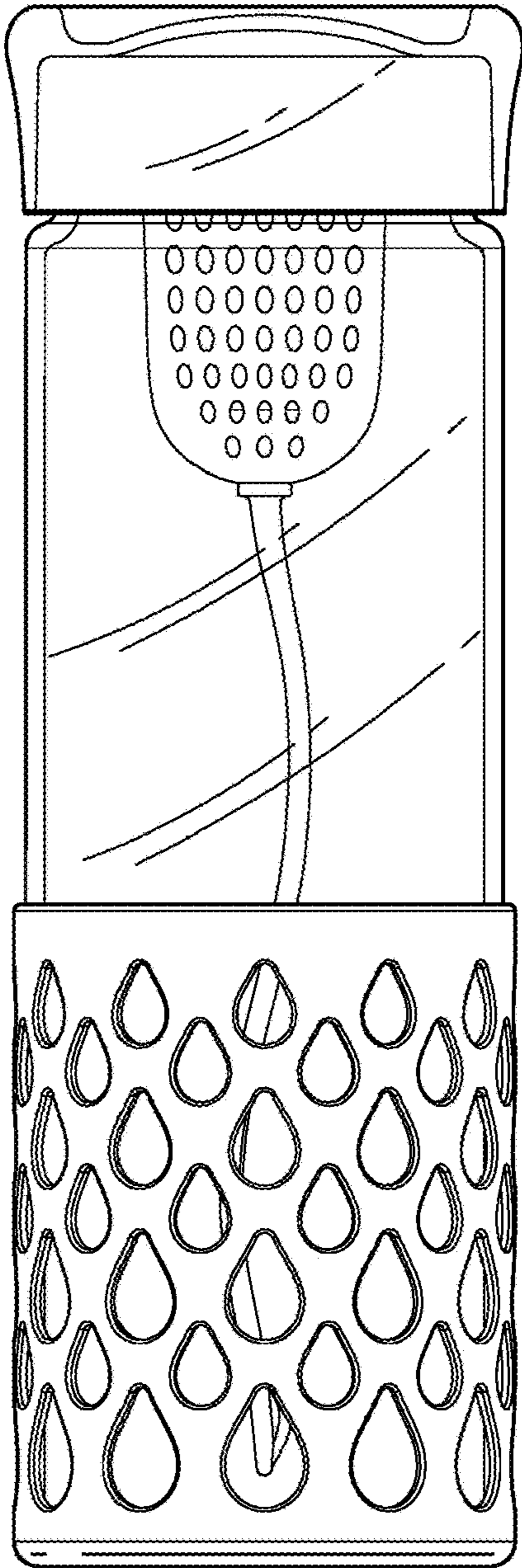


FIG. 4

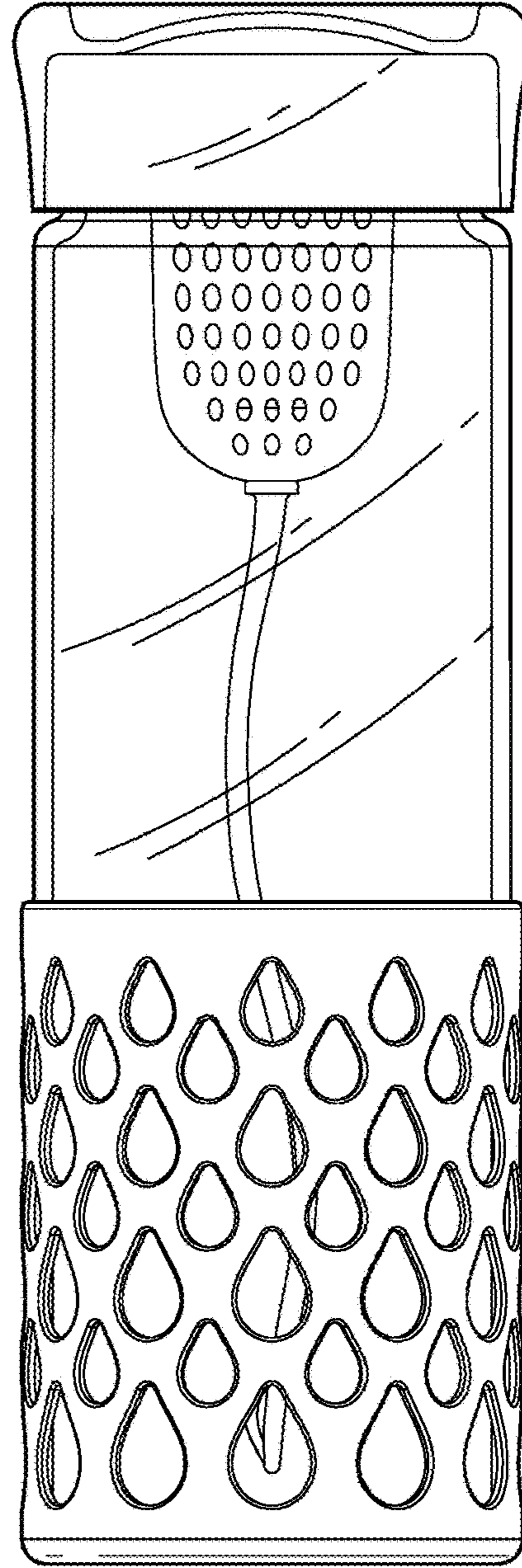


FIG. 5

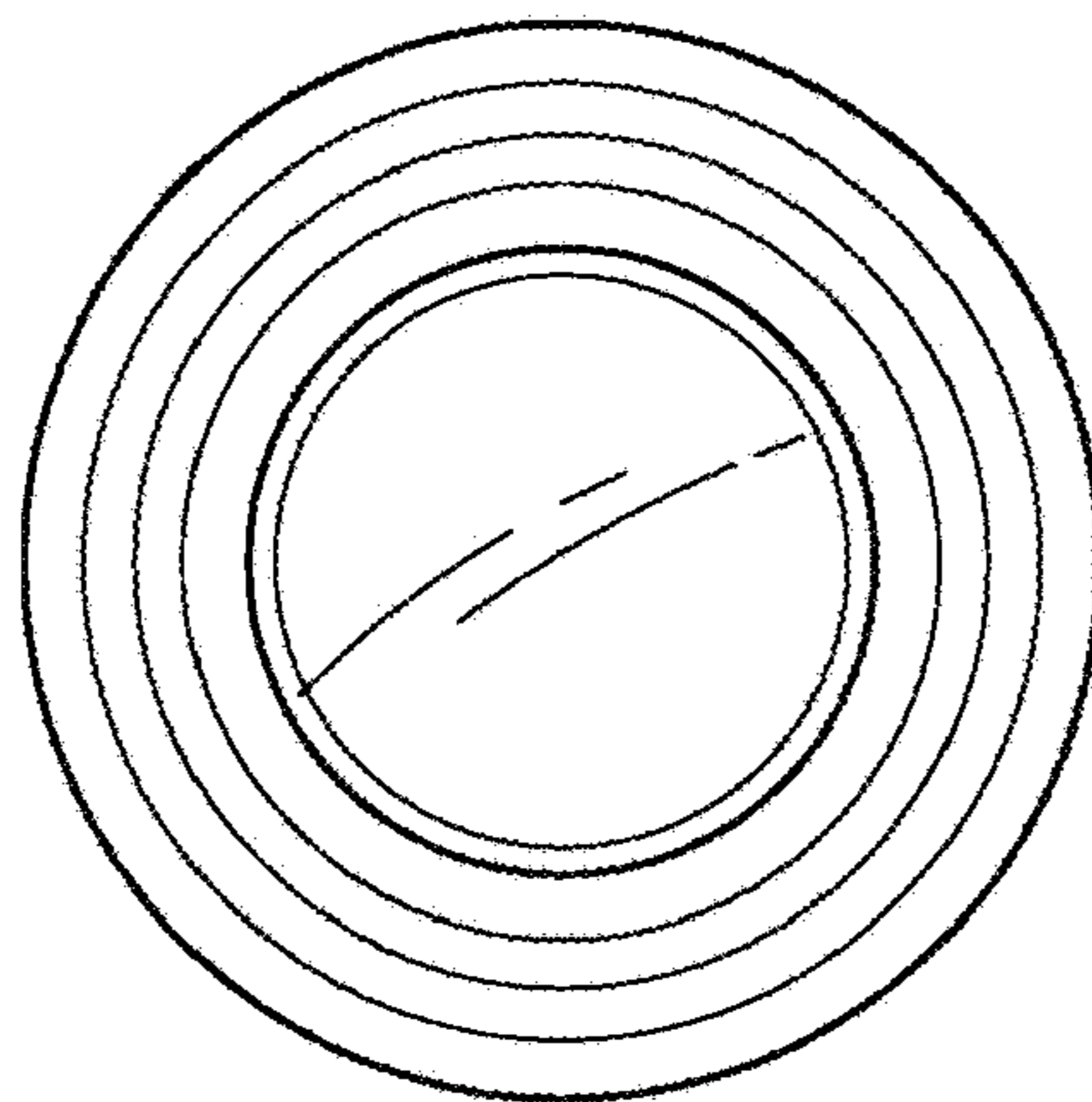


FIG. 6

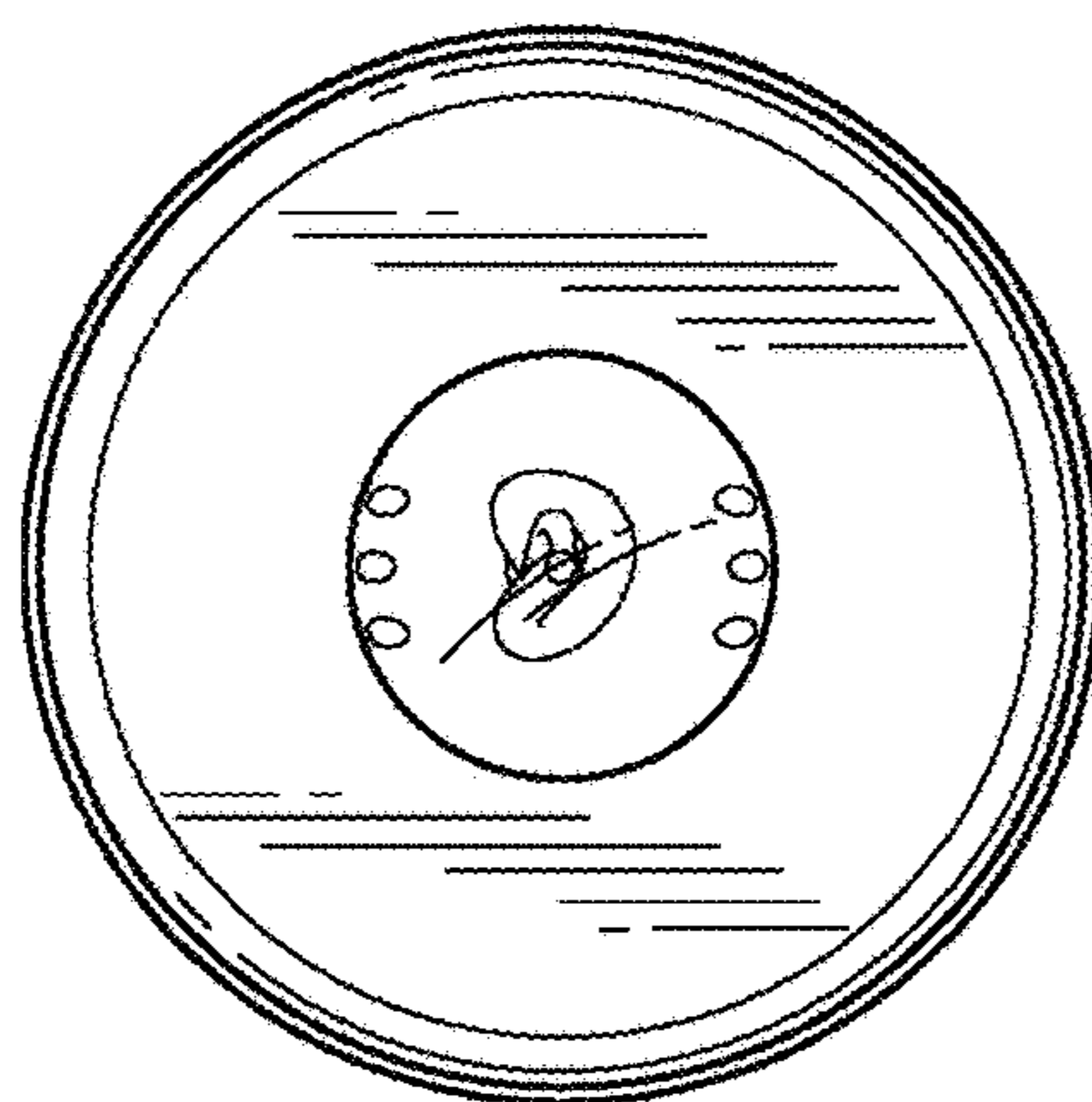


FIG. 7

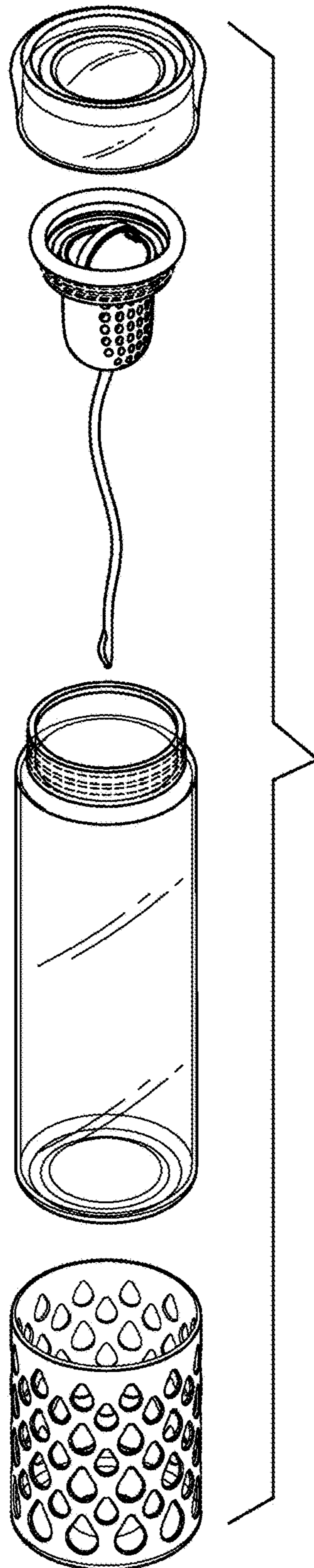


FIG.8

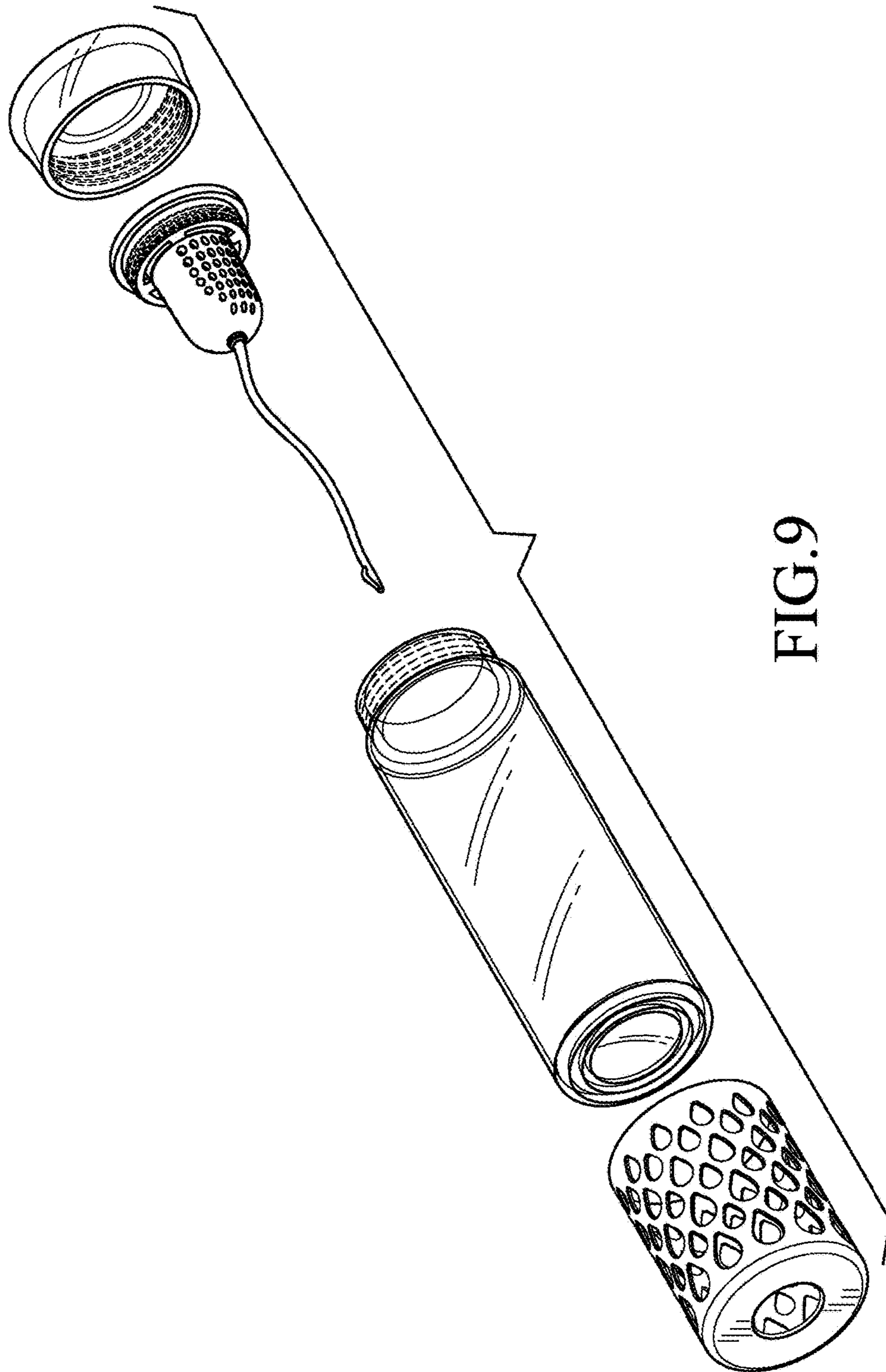


FIG. 9