



US00D845072S

(12) **United States Design Patent**
Colston et al.

(10) **Patent No.:** **US D845,072 S**

(45) **Date of Patent:** **** Apr. 9, 2019**

(54) **TABLE TOP GRILL LID**

(71) Applicant: **Traeger Pellet Grills LLC**, Salt Lake City, UT (US)

(72) Inventors: **Michael Virgil Colston**, Salt Lake City, UT (US); **Matthew Czach**, Kalamazoo, MI (US)

(73) Assignee: **Traeger Pellet Grills LLC**, Salt Lake City, UT (US)

(**) Term: **15 Years**

(21) Appl. No.: **29/583,239**

(22) Filed: **Nov. 3, 2016**

(51) **LOC (11) Cl.** **07-02**

(52) **U.S. Cl.**
USPC **D7/402**

(58) **Field of Classification Search**
USPC D7/402-409, 332-337, 323, 338, 339, D7/350.1, 393; D16/244, 245; D8/300, D8/315, 316; D15/89
CPC A47J 37/07; A47J 37/0704; A47J 37/0763
See application file for complete search history.

(56) **References Cited**

U.S. PATENT DOCUMENTS

2,374,787 A	5/1945	Morris
D179,940 S	3/1957	Gulliksen
D254,461 S	3/1980	Raymond
D258,228 S	2/1981	Rumbaugh
D270,433 S	9/1983	Sun
D271,658 S	12/1983	Legerius et al.
D274,123 S	6/1984	Tegner
D334,315 S	3/1993	Bengston
5,860,538 A	1/1999	Duero
5,887,200 A	3/1999	Aoyama
D433,141 S	10/2000	Nash et al.
D433,144 S	10/2000	Park
D455,034 S	4/2002	Ou-Young

D469,185 S	1/2003	Lodge	
6,810,792 B1	11/2004	Knight	
D516,350 S	3/2006	Chen	
D516,368 S *	3/2006	Zhang	D7/337
D525,829 S *	8/2006	Chung	D7/402
D534,755 S	1/2007	Knight	

(Continued)

FOREIGN PATENT DOCUMENTS

CA	70139	2/1992
CA	112390	1/2007

(Continued)

OTHER PUBLICATIONS

<http://www.homedepot.com/p/Franklin-Brass-Futura-24-in-Towel-Bar-in-Polished-Chrome-D2424PC/100388815>; Home Depot; Franklin Brass, Futura 24 in. Towel Bar in Polished Chrome; Sep. 6, 2015.

(Continued)

Primary Examiner — Sheryl Lane
Assistant Examiner — Nicole C Shiflet
(74) *Attorney, Agent, or Firm* — Workman Nydegger

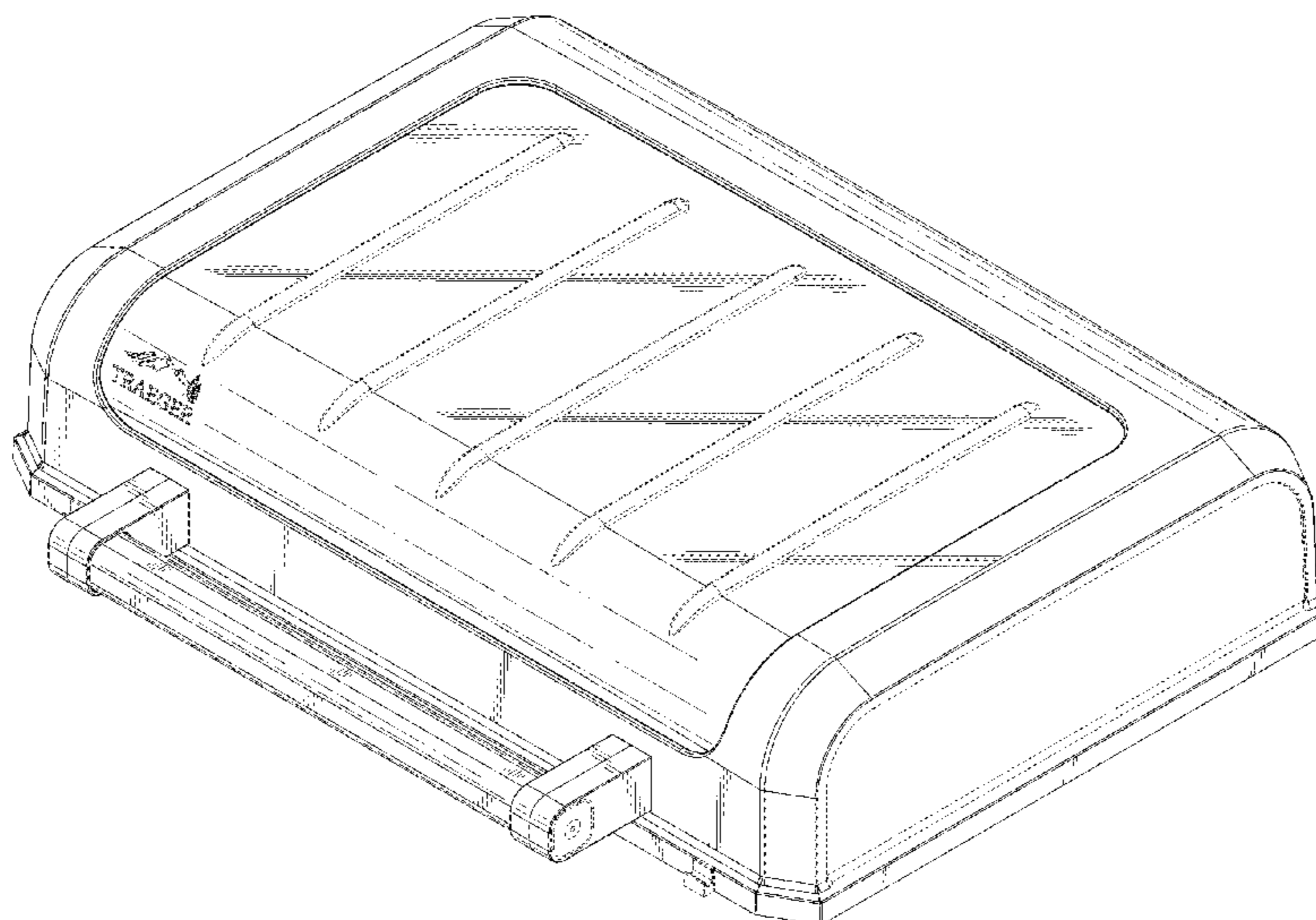
(57) **CLAIM**

The ornamental design for a table top grill lid, as shown and described.

DESCRIPTION

FIG. 1 is a front top right perspective view showing my new design for a table top grill lid;
FIG. 2 is a front elevation view thereof;
FIG. 3 is a rear elevation view thereof;
FIG. 4 is a top plan view thereof;
FIG. 5 is a bottom plan view thereof;
FIG. 6 is a right side elevation view thereof; and,
FIG. 7 is a left side elevation view thereof.
The broken lines in the drawings depict unclaimed environment only and form no part of the claimed design.

1 Claim, 5 Drawing Sheets



(56)

References Cited

U.S. PATENT DOCUMENTS

D546,619	S	7/2007	McHutchison	
D549,038	S *	8/2007	Chung	D7/337
D564,729	S *	3/2008	Fisher	D7/402
D568,100	S	5/2008	Jeon	
D572,109	S	7/2008	Busalt et al.	
D572,111	S *	7/2008	Busalt	D8/316
D586,448	S	2/2009	Lammel	
D611,292	S *	3/2010	Chung	D7/337
D618,036	S *	6/2010	Chung	D7/334
D654,311	S	2/2012	Benold	
9,089,245	B1	7/2015	Pamphilis	
D745,362	S	12/2015	Grasselli	
D758,827	S	6/2016	Grasselli	
D764,230	S	8/2016	Shoemaker	
D781,642	S	3/2017	Incukur	
D785,366	S	5/2017	Andrew	
D791,418	S	7/2017	Warren	
D796,250	S *	9/2017	Chung	D7/337
D802,353	S *	11/2017	Chung	D7/337
2005/0284590	A1	12/2005	Mariconti	
2007/0017384	A1	1/2007	Serra	
2008/0121598	A1	5/2008	Brinson	
2009/0236299	A1	9/2009	Hall	
2009/0308260	A1	12/2009	Trost	
2016/0081519	A1	3/2016	Manko	

FOREIGN PATENT DOCUMENTS

CA	113271	2/2007
CA	121566	3/2009
CA	151895	2/2015
CN	202179490	4/2012
CN	202179491	4/2012
CN	201330053210	8/2013
DE	3639965	9/1987
DE	M9107853-0006	5/1992
DE	M9207084-0022	7/1993
DE	M9309983-0002	7/1994
DE	M9400240-0016	7/1994
DE	M9400134-001	8/1994
DE	M9400134-0003	8/1994
DE	M9704177-0032.1	10/1997
DE	M9704177-0035.1	10/1997
DE	M9704177-0036.1	10/1997
DE	M9704790-0018	12/1997
DE	M9705758-0001.1	12/1997
DE	M9801713-0001.1	10/1998
DE	M9806095-0005	1/1999
DE	49809674-0007	5/1999
DE	49904101-0008.1	8/1999
DE	49904101-0009.1	8/1999
DE	49904101-0015.1	8/1999
DE	49904356-0002.1	11/1999
DE	DM/048593	12/1999
DE	49908015-0005.1	1/2000
DE	40002388-0002.1	7/2000
DE	49907614-0019.1	8/2000
DE	499076414-0016.1	8/2000
DE	40008059-0011.1	4/2001
DE	40006705-0012.1	5/2001
DE	4011468-0008.1	9/2001
DE	40101468-0011.1	9/2001
DE	40101379-0005.1	2/2002
DE	40101379-0006.1	2/2002
DE	40104477-0046.1	2/2002
DE	40201060-0023	7/2002
DE	40201262-0011.1	10/2002
DE	40205869-0040.1	11/2002
DE	40205869-0041.1	11/2002
DE	40205869-0042.1	11/2002
DE	40205869-0043.1	11/2002
DE	40302619-0010.1	11/2003
DE	000303706-0014	5/2005
DE	DM/066389	8/2005
DE	000514765-0005	6/2006

DE	000148242-0005	8/2006
DE	40706296-0006	6/2008
DE	402008001567-0008	7/2008
DE	202010009932	10/2010
DE	001223739-0052	12/2010
DE	001831710-0012	3/2011
DE	402011005347-0018	1/2012
DE	001223739-0022	1/2013
DE	402012005581-0014	4/2013
DE	002200527-0025	5/2013
DE	402014000227-0007	3/2014
DE	402014001067-0003	5/2014
DE	402014001067-0004	5/2014
DE	402015200850-0001	5/2015
DE	402015200850-0002	5/2015
DE	402015200850-0003	5/2015
DM	065312	5/2004
DM	067435	2/2006
EM	000514765-0001	6/2006
EM	000514765-0003	6/2006
EM	000563804-0008	8/2006
EM	000662895-0003	3/2007
EM	000798384-0002	11/2007
EM	000856984-0031	2/2008
EM	001019095-0002	11/2008
EM	001895103-0004	7/2011
EM	002589747-0004	12/2014
EM	002589747-0005	12/2014
ES	I0148775-0001	1/2001
ES	D0501475	8/2005
ES	D0506386-0012	8/2008
JP	1201276	2/2004
JP	2004251301	9/2004
JP	2008119242	5/2008
JP	1394160	8/2010
JP	1411633	4/2011
JP	2012040249	3/2012
JP	1495807	4/2014
JP	1544590	2/2016
KR	20110008876	9/2011
KR	200458901	3/2012
KR	20130021618	3/2013
NZ	406168	6/2005
PL	RP.05460	7/2004
TW	457922	10/2001
TW	M518059	3/2016

OTHER PUBLICATIONS

<http://www.grapevinesally.com/vintage-gaffers-sattler-gas-stove-part-short-oven-door-handle/>; Grapevine Sally; Gaffers & Sattler; Vintage Gaffers & Sattler Gas Stove Part—Short Oven Door Handle; Jun. 15, 2015.

<https://www.appliancefactoryparts.com/gasgrillparts/brands/brinkmann/810-3810-s.html>; Appliance Factory Part; Brinkmann 810-3810-S; Jul. 2, 2015.

<https://www.appliancefactoryparts.com/gasgrillparts/brands/brinkmann/810-3214-0.html>; Appliance Factory Part; Brinkman 810-3214-0; Sep. 6, 2015.

<http://tvwbb.com/showthread.php?40489-My-Genesis-1000-red-head-is-done!>; The Virtual Weber Bulletin Board; Thread: My Genesis 1000 red head is done!; Apr. 17, 2015.

https://www.caterkwik.co.uk/cgi-bin/trolleyed_public.cgi?action=showprod_ARCHWAY3BSCL; Cater-Kwik; Archway 3BS/3BL 3 Burner Classic Charcoal Grill; Jul. 2, 2013.

<http://home.howstuffworks.com/grill.htm>; Howstuffworks Home & Garden; How Grills Work; Sep. 6, 2015.

http://www.bbqguys.com/item_item_2881068.html; BBQGUYS; Caliber CrossFlame Silver 41—Inch Freestanding Propane Gas Grill With Sear Burner and Rotisserie—Wood Handle; Sep. 5, 2015.

http://www.bbqguys.com/item_item_2883786.html; BBQGUYS; Caliber CrassFlame Pro 60—Inch Built-In Natural Gas Grill With Sear Burner and Double Side Burner—Stainless Steel Handle; Sep. 12, 2015.

(56)

References Cited

OTHER PUBLICATIONS

<http://www.promo-wholesale.com/china/Grills/4/Barbecue-Grill---Rectangular-Chrome-Handle-And-Side-Access-95704.htm>; promo-wholesale.com; Barbecue Grill—Rectangular Chrome Handle and Slide Access; May 23, 2015.

https://www.grillparts.com/mhp/wnk.asp?product_id=GGHANKIT; grillparts.com; WNK Stainless Steel “Stay Cool” Handle; Apr. 4, 2015.

http://www.smartstuff.se/pages/engelska/eng_grillen_9.asp; Smart Stuff; Seven tips for grilling a tastier steak.; Oct. 23, 2013.

<http://bbq.about.com/od/brinkmanngrills/fl/Brinkmann-4-Burner-Propane-Gas-Grill-Model-810-6420-S.htm>; About Food; Brinkmann 4-Burner Propane Gas Grill Model #810-6420-S (Discontinued); Sep. 6, 2015.

<http://www.goodhousekeeping.com/appliances/outdoor-grill-reviews/a29633/brinkmann-ranger-2-burner-gas-grill-810-4220-5/>; Good Housekeeping; Brinkmann Ranger 2-Burner Gas Grill #810-4220-5; Sep. 13, 2015.

<http://www.charbroil.com/products/charcoal-grills/box/deluxe-charcoal-box-grill>; Char-Broil; Deluxe Charcoal Box Grill; Apr. 19, 2015.

<http://www.charbroil.com/products/charcoal-grills>; Char_Broil; Charcoal Grills-Kettleman; Apr. 17, 2015.

http://www.novascan.com/products/acoustic_isolation.php; Novascan; Acoustic Hoods & Mechanical Noise Isolation Chambers for AFM and Sensitive Instruments; May 9, 2008.

<http://thefireworks.org/>; The Fireworks; Jul. 6, 2015.

<http://www.mhpgrills.com/grills/wnld>; MHP Outdoor Grills; WNK 4 Grill; May 25, 2015.

http://www.patioandhearthproductsreport.com/index.php/product/kitchenaid_dual_lid_gas_grill; Patio & Hearth Products Report; Kitchenaid Dual-lid Gas Grill; Aug. 16, 2015.

<http://www.rayscomments.com/comment-catagories/barbecue/71-backyard-classic-pro-charcoalwood-grill.html>; Ray’s Comments; Backyard Classic Pro Charcoal/Wood Grill; Jun. 27, 2015.

<http://www.kitchenaid.com/shop/accessories-1/major-appliance-accessories-2/dishwashers-3/-%5bW10708004%5d-5516100/W10708004/>; Kitchenaid; Handle Kit w/ two Red Medallions for Panel-Ready Dishwasher; Sep. 5, 2015.

<http://web.archive.org/web/20131008210545/http://prestigedistributioninc.com/towel-bar-round-stainless-steel-asi-ss.html>; Prestige Distribution, Inc.; Towel Bar Round Stainless Steel—ASI 0755-SS; Oct. 8, 2013.

<http://www.sz-wholesaler.com/p/1172/1184-2/towel-bar-zh-3124-614609.html>; sz-wholesaler.com; Towel Bar (ZH 3124); Sep. 20, 2014.

<https://www.mandmlandscapes.com/>; M&M Professional Landscaping; Outdoor Kitchens; Dec. 21, 2014.

<http://web.archive.org/web/20150911105612/http://www.ikea.com/gb/en/>; IKEA; Sep. 11, 2015.

Non-Final Office Action for U.S. Appl. No. 29/539,828 dated Sep. 18, 2017.

Notice of Allowance for U.S. Appl. No. 29/539,828 dated Jun. 27, 2018.

* cited by examiner

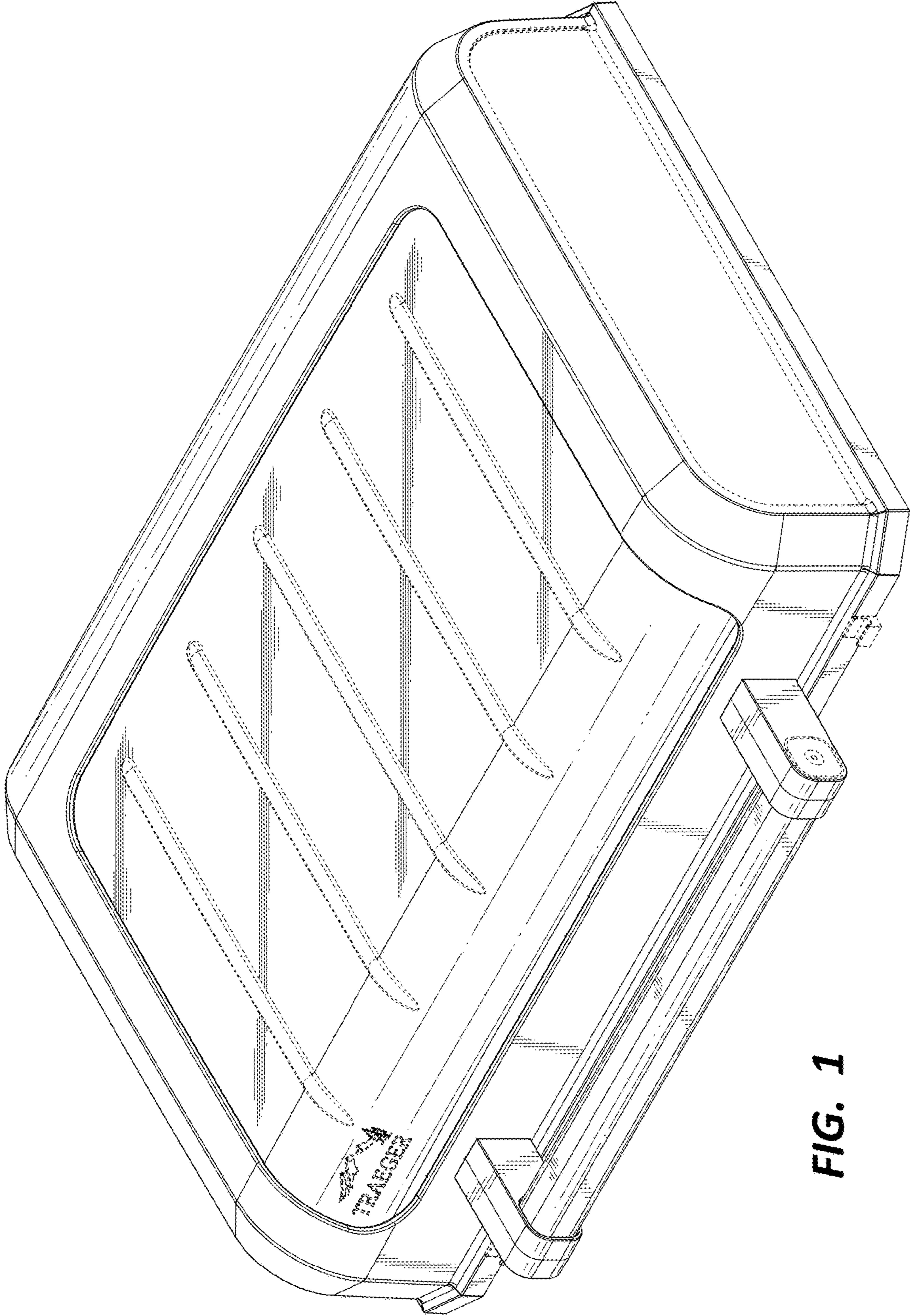


FIG. 1

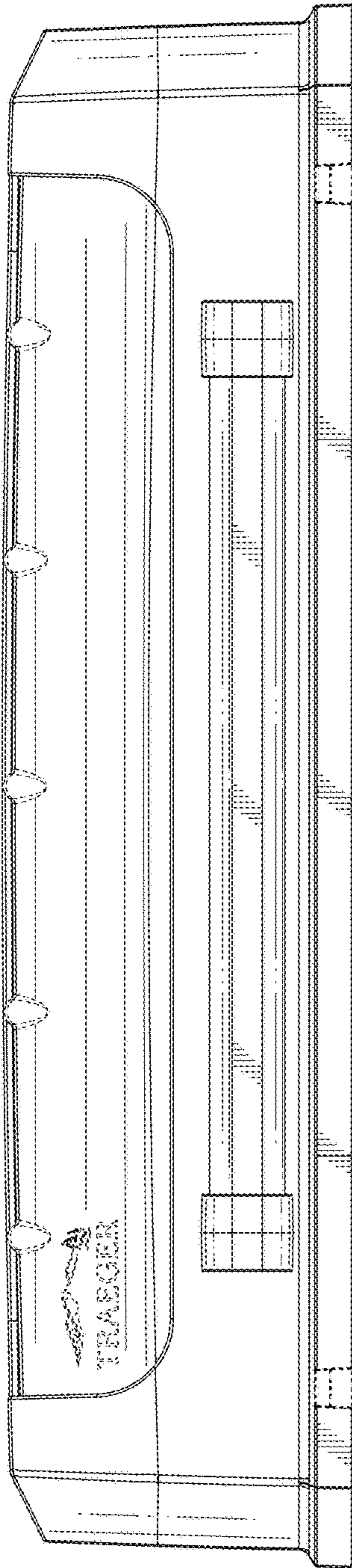


FIG. 2

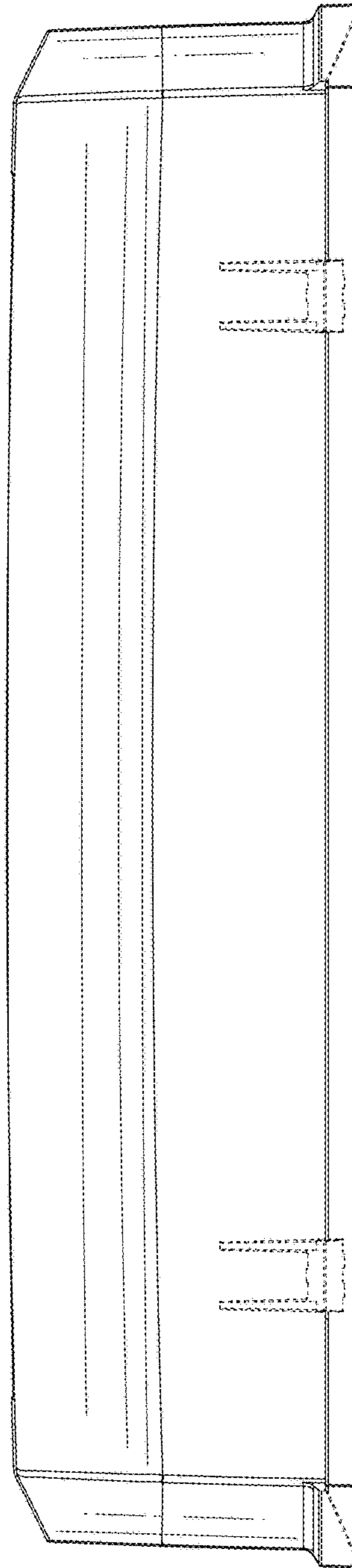


FIG. 3

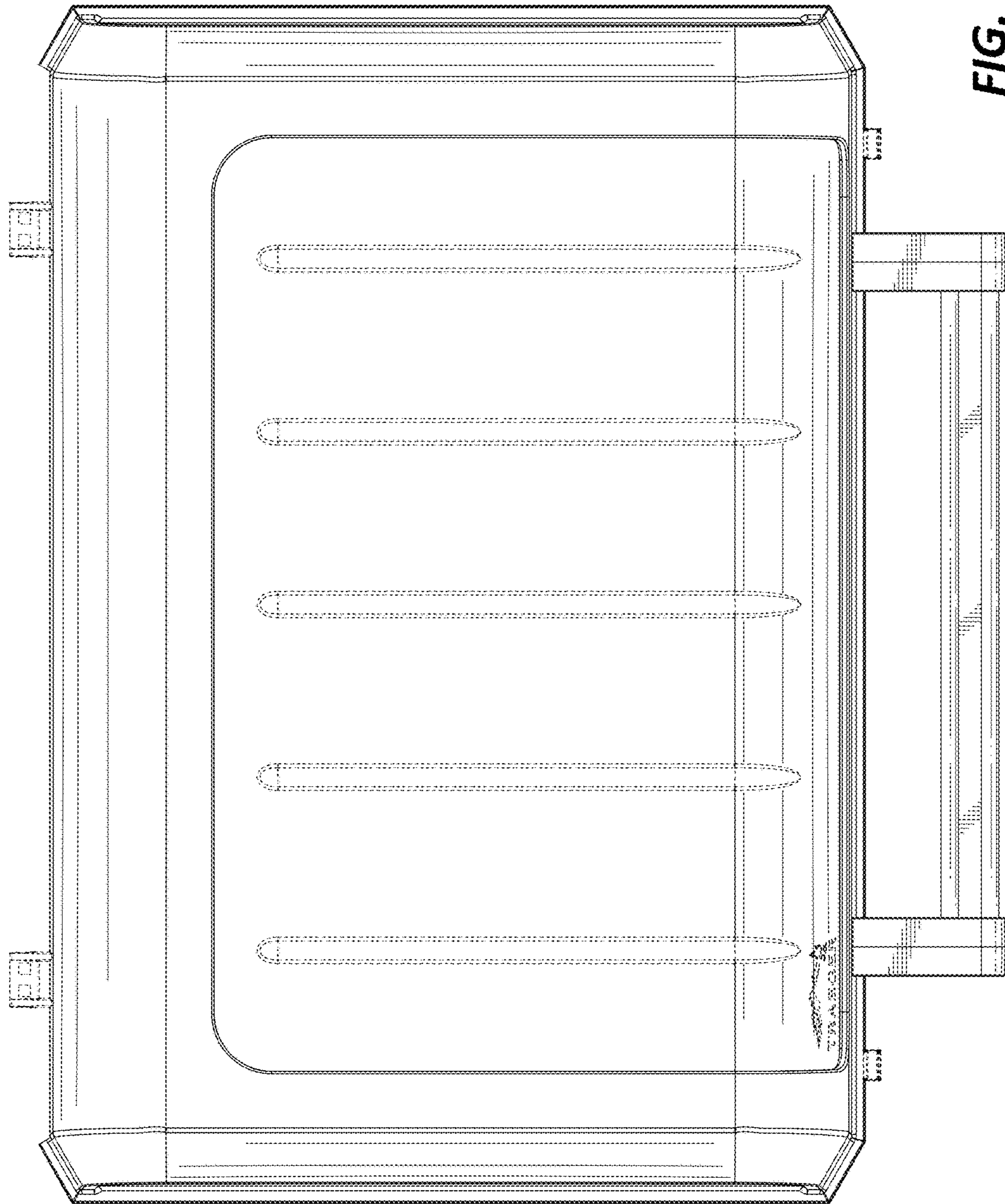


FIG. 4

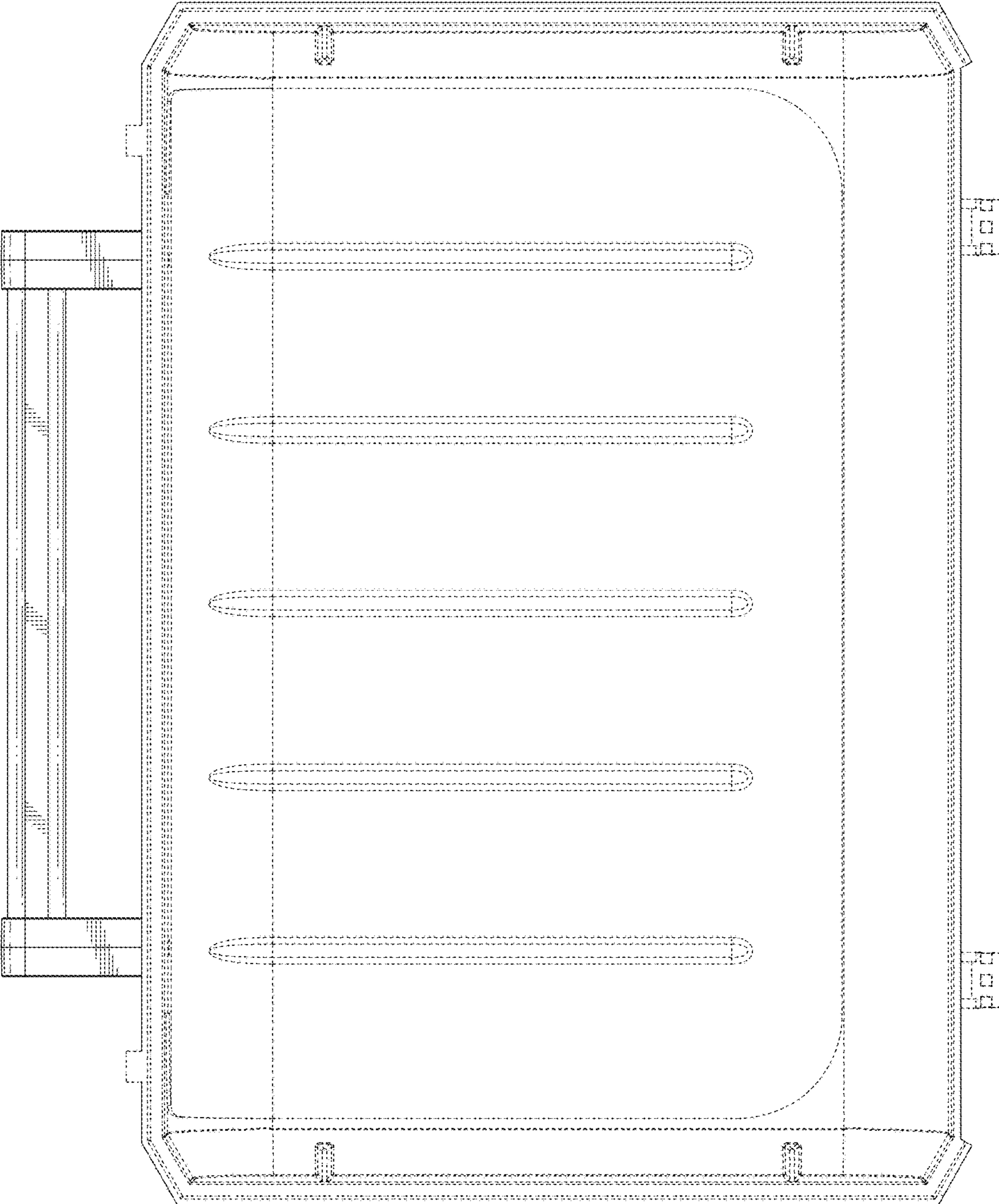


FIG. 5

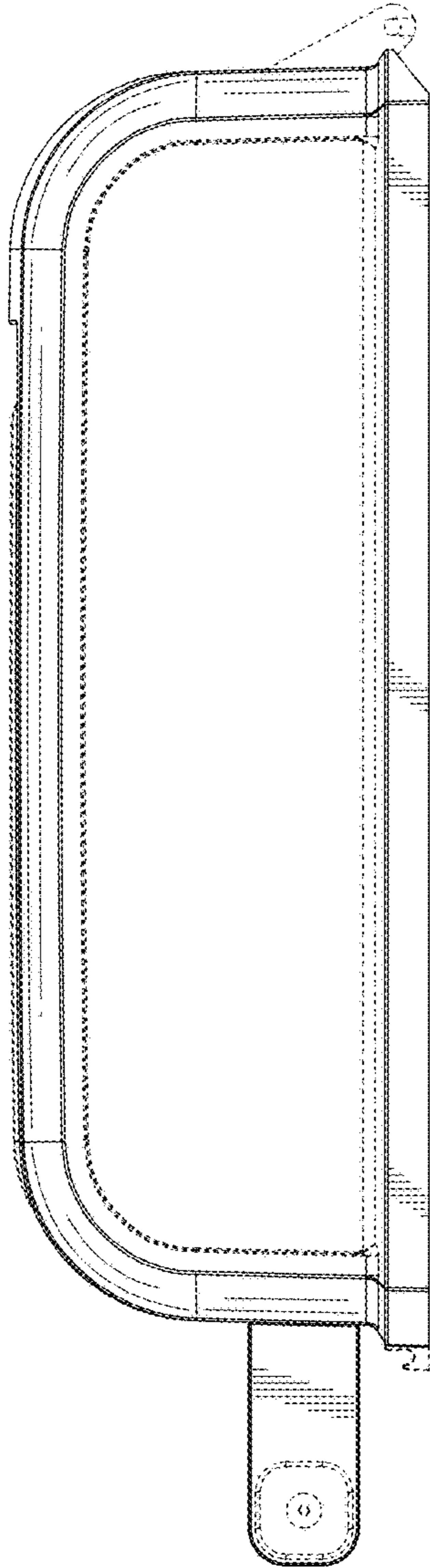


FIG. 6

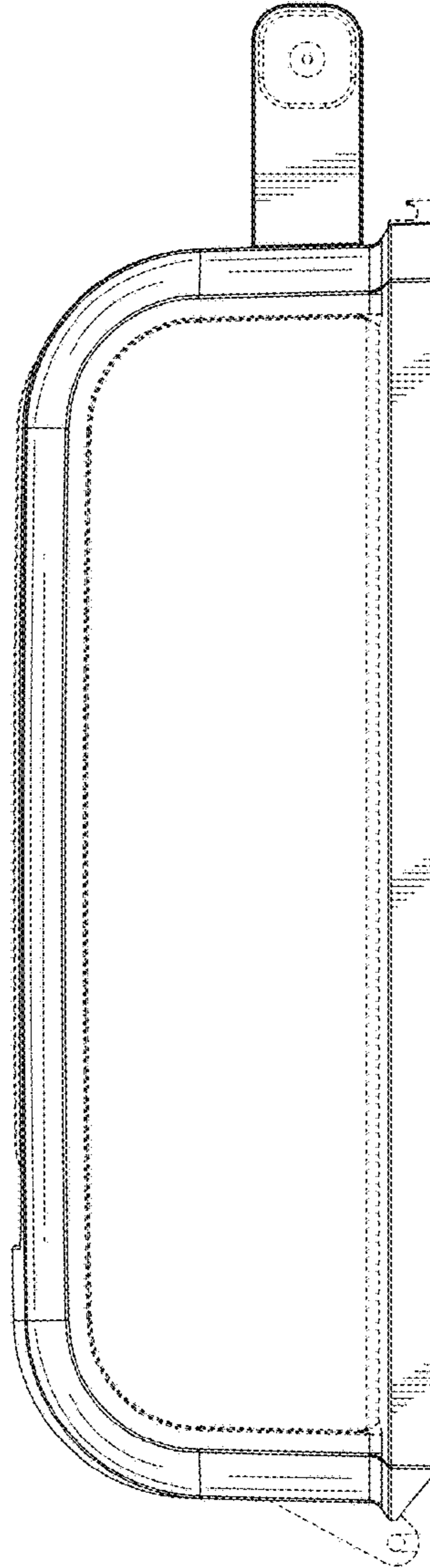


FIG. 7