



US00D845071S

(12) **United States Design Patent**
Colston et al.

(10) **Patent No.: US D845,071 S**

(45) **Date of Patent: ** Apr. 9, 2019**

(54) **NON-CIRCULAR GRILL HANDLE AND ATTACHMENT INTERFACE**

D455,034 S 4/2002 Ou-Young
D469,185 S 1/2003 Lodge
6,810,792 B1 11/2004 Knight
D516,350 S 3/2006 Chen

(Continued)

(71) Applicant: **Traeger Pellet Grills LLC**, Salt Lake City, UT (US)

(72) Inventors: **Michael Virgil Colston**, Salt Lake City, UT (US); **Matthew Czach**, Kalamazoo, MI (US)

FOREIGN PATENT DOCUMENTS

CA 70139 2/1992
CA 112390 1/2007

(Continued)

(73) Assignee: **Traeger Pellet Grills LLC**, Salt Lake City, UT (US)

OTHER PUBLICATIONS

(**) Term: **15 Years**

<http://www.homedepot.com/p/Franklin-Brass-Futura-24-in-Towel-Bar-in-Polished-Chrome-D2424PC/100388815>; Home Depot; Franklin Brass, Futura 24 in. Towel Bar in Polished Chrome; Sep. 6, 2015.

(Continued)

(21) Appl. No.: **29/583,235**

(22) Filed: **Nov. 3, 2016**

(51) **LOC (11) Cl.** **07-02**

(52) **U.S. Cl.**
USPC **D7/402**

(58) **Field of Classification Search**
USPC D7/402-409, 332-337, 323, 338, 339, D7/350.1, 393; D16/244, 245; D8/300, D8/315, 316; D15/89
CPC A47J 37/07; A47J 37/0704; A47J 37/0763
See application file for complete search history.

Primary Examiner — Sheryl Lane

Assistant Examiner — Nicole C Shiflet

(74) *Attorney, Agent, or Firm* — Workman Nydegger

(57) **CLAIM**

The ornamental design for a non-circular grill handle and attachment interface, as shown and described.

DESCRIPTION

FIG. 1 is a front top right perspective view showing my new design for a non-circular grill handle and attachment interface;

FIG. 2 is a front elevation view thereof;

FIG. 3 is a rear elevation view thereof;

FIG. 4 is a top plan view thereof;

FIG. 5 is a bottom plan view thereof;

FIG. 6 is a right side elevation view thereof; and,

FIG. 7 is a left side elevation view thereof.

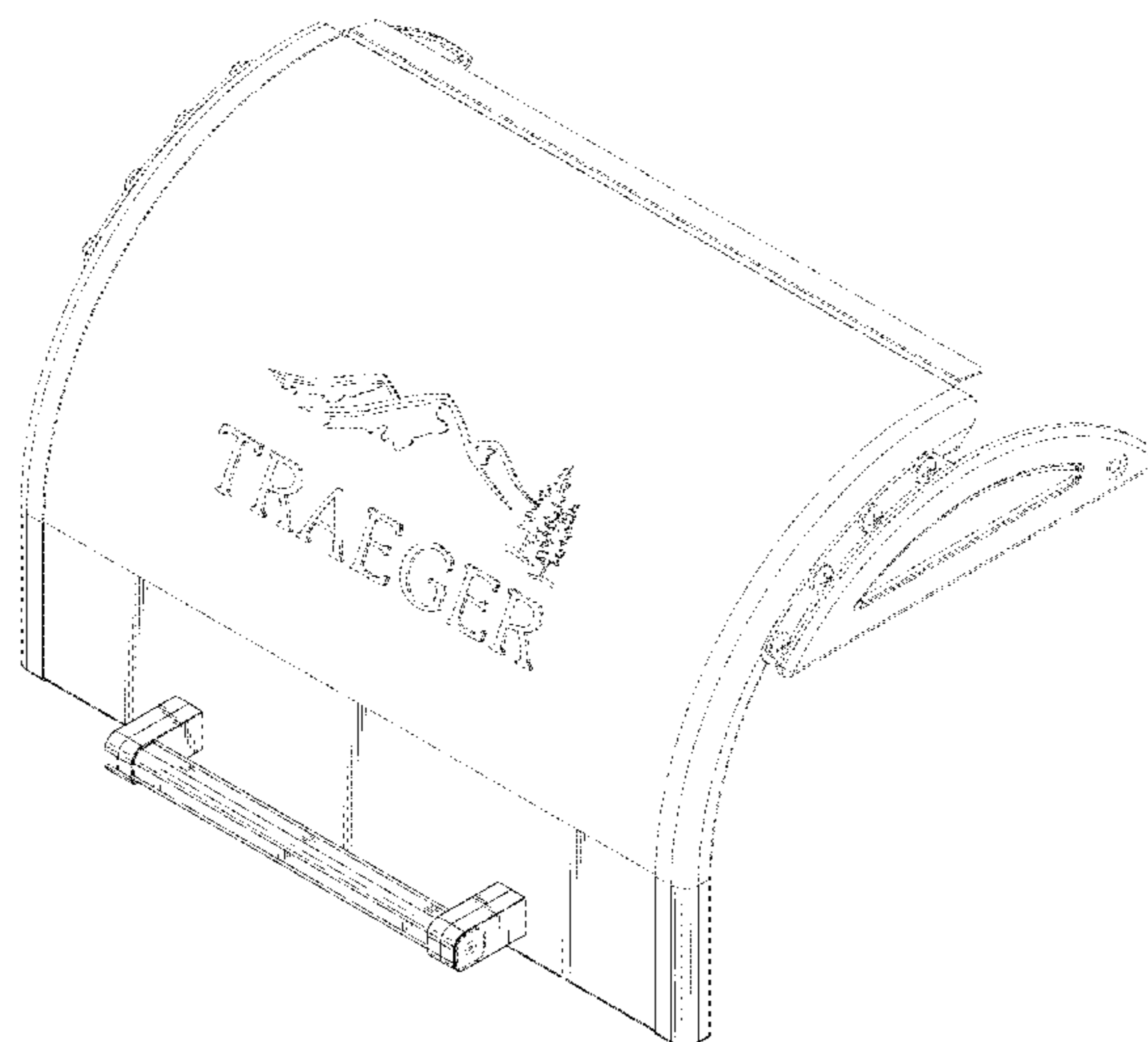
The broken lines in the drawings depict unclaimed environment only and form no part of the claimed design.

1 Claim, 7 Drawing Sheets

(56) **References Cited**

U.S. PATENT DOCUMENTS

2,374,787 A 5/1945 Morris
D179,940 S 3/1957 Gulliksen
D254,461 S 3/1980 Raymond
D258,228 S 2/1981 Rumbaugh
D270,433 S 9/1983 Sun
D271,658 S 12/1983 Legerius et al.
D274,123 S 6/1984 Tegner
D334,315 S 3/1993 Bengston
5,860,538 A 1/1999 Duero
5,887,200 A 3/1999 Aoyama
D433,141 S 10/2000 Nash et al.
D433,144 S 10/2000 Park



(56)

References Cited

U.S. PATENT DOCUMENTS

D516,368	S	*	3/2006	Zhang	D7/337
D525,829	S	*	8/2006	Chung	D7/402
D534,755	S		1/2007	Knight		
D546,619	S		7/2007	McHutchison		
D549,038	S	*	8/2007	Chung	D7/337
D564,729	S	*	3/2008	Fisher	D7/402
D568,100	S		5/2008	Jeon		
D572,109	S		7/2008	Busalt et al.		
D572,111	S	*	7/2008	Busalt	D8/316
D586,448	S		2/2009	Lammel		
D611,292	S	*	3/2010	Chung	D7/337
D618,036	S	*	6/2010	Chung	D7/334
D654,311	S		2/2012	Benold		
9,089,245	B1		7/2015	Pamphilis		
D745,362	S		12/2015	Grasselli		
D758,827	S		6/2016	Grasselli		
D764,230	S		8/2016	Shoemaker		
D781,642	S		3/2017	Incukur		
D785,366	S		5/2017	Andrew		
D791,418	S		7/2017	Warren		
D796,250	S	*	9/2017	Chung	D7/337
D802,353	S	*	11/2017	Chung	D7/337
2005/0284590	A1		12/2005	Mariconti		
2007/0017384	A1		1/2007	Serra		
2008/0121598	A1		5/2008	Brinson		
2009/0236299	A1		9/2009	Hall		
2009/0308260	A1		12/2009	Trost		
2016/0081519	A1		3/2016	Manko		

FOREIGN PATENT DOCUMENTS

CA	113271	2/2007
CA	121566	3/2009
CA	151895	2/2015
CN	101503064 A	8/2009
CN	202179490	4/2012
CN	202179491	4/2012
CN	201330053210	8/2013
DE	3639965	9/1987
DE	M9107853-0006	5/1992
DE	M9207084-0022	7/1993
DE	M9309983-0002	7/1994
DE	M9400240-0016	7/1994
DE	M9400134-001	8/1994
DE	M9400134-0003	8/1994
DE	M9704177-0032.1	10/1997
DE	M9704177-0035.1	10/1997
DE	M9704177-0036.1	10/1997
DE	M9704790-0018	12/1997
DE	M9705758-0001.1	12/1997
DE	M9801713-0001.1	10/1998
DE	M9806095-0005	1/1999
DE	49809674-0007	5/1999
DE	49904101-0008.1	8/1999
DE	49904101-0009.1	8/1999
DE	49904101-0015.1	8/1999
DE	49904356-0002.1	11/1999
DE	DM/048593	12/1999
DE	49908015-0005.1	1/2000
DE	40002388-0002.1	7/2000
DE	49907614-0019.1	8/2000
DE	499076414-0016.1	8/2000
DE	40008059-0011.1	4/2001
DE	40006705-0012.1	5/2001
DE	40101468-0008.1	9/2001
DE	40101468-0011.1	9/2001
DE	40101379-0005.1	2/2002
DE	40101379-0006.1	2/2002
DE	40104477-0046.1	2/2002
DE	40201060-0023	7/2002
DE	40201262-0011.1	10/2002
DE	40205869-0040.1	11/2002
DE	40205869-0041.1	11/2002
DE	40205869-0042.1	11/2002
DE	40205869-0043.1	11/2002

DE	40302619-0010.1	11/2003
DE	000303706-0014	5/2005
DE	DM/066389	8/2005
DE	000514765-0005	6/2006
DE	000148242-0005	8/2006
DE	40706296-0006	6/2008
DE	402008001567-0008	7/2008
DE	202010009932	10/2010
DE	001223739-0052	12/2010
DE	001831710-0012	3/2011
DE	402011005347-0018	1/2012
DE	001223739-0022	1/2013
DE	402012005581-0014	4/2013
DE	002200527-0025	5/2013
DE	402014000227-0007	3/2014
DE	402014001067-0003	5/2014
DE	402014001067-0004	5/2014
DE	402015200850-0001	5/2015
DE	402015200850-0002	5/2015
DE	402015200850-0003	5/2015
DM	065312	5/2004
DM	067435	2/2006
EM	000514765-0001	6/2006
EM	000514765-0003	6/2006
EM	000563804-0008	8/2006
EM	000662895-0003	3/2007
EM	000798384-0002	11/2007
EM	000856984-0031	2/2008
EM	001019095-0002	11/2008
EM	001895103-0004	7/2011
EM	002589747-0004	12/2014
EM	002589747-0005	12/2014
ES	10148775-0001	1/2001
ES	D0501475	8/2005
ES	D0506386-0012	8/2008
JP	1201276	2/2004
JP	2004251301	9/2004
JP	2008119242	5/2008
JP	1394160	8/2010
JP	1411633	4/2011
JP	2012040249	3/2012
JP	1495807	4/2014
JP	1544590	2/2016
KR	20110008876	9/2011
KR	200458901	3/2012
KR	20130021618	3/2013
NZ	406168	6/2005
PL	RP.05460	7/2004
TW	457922	10/2001
TW	M518059	3/2016

OTHER PUBLICATIONS

<http://www.grapevinesally.com/vintage-gaffers-sattler-gas-stove-part-short-oven-door-handle/>; Grapevine Sally; Gaffers & Sattler; Vintage Gaffers & Sattler Gas Stove Part—Short Oven Door Handle; Jun. 15, 2015.

<https://www.appliancefactoryparts.com/gasgrillparts/brands/brinkmann/810-3810-s.html>; Appliance Factory Part; Brinkmann 810-3810-S; Jul. 2, 2015.

<https://www.appliancefactoryparts.com/gasgrillparts/brands/brinkmann/810-3214-0.html>; Appliance Factory Part; Brinkman 810-3214-0; Sep. 6, 2015.

<http://twbb.com/showthread.php?40489-My-Genesis-1000-red-head-is-done!>; The Virtual Weber Bulletin Board; Thread: My Genesis 1000 red head is done!; Apr. 17, 2015.

https://www.caterkwik.co.uk/cgi-bin/trolleyed_public.cgi?action=showprod_ARCHWAY3BSCL; Cater-Kwik; Archway 3BS/3BL 3 Burner Classic Charcoal Grill; Jul. 2, 2013.

<http://home.howstuffworks.com/grill.htm>; Howstuffworks Home & Garden; How Grills Work; Sep. 6, 2015.

<http://www.houzz.com/photos/188288/Wolf-42-Outdoor-Gas-Grill-outdoor-grills>; Houzz; Wolf 42" Outdoor Gas Grill; Dec. 26, 2014.

http://www.bbqguys.com/item_item_2881068.html; BBQGUYS; Caliber CrossFlame Silver 41—Inch Freestanding Propane Gas Grill With Sear Burner and Rotisserie—Wood Handle; Sep. 5, 2015.

(56)

References Cited

OTHER PUBLICATIONS

http://www.bbqguys.com/item_item_2883786.html; BBQGUYS; Caliber CrassFlame Pro 60—Inch Built-In Natural Gas Grill With Sear Burner and Double Side Burner—Stainless Steel Handle; Sep. 12, 2015.

<http://www.promo-wholesale.com/china/Grills/4/Barbecue-Grill---Rectangular-Chrome-Handle-And-Side-Access-95704.htm>; Promo-Wholesale.com; Barbecue Grill—Recstangular Chrome Handle and Slide Access; May 23, 2015.

https://www.grillparts.com/mhp/wnk.asp?product_id=GGHANKIT; grillparts.com; WNK Stainless Steel “Stay Cool” Handle; Apr. 4, 2015.

http://www.smartstuff.se/pages/engelska/eng_grillen_9.asp; Smart Stuff; Seven tips for grilling a tastier steak.; Oct. 23, 2013.

<http://bbq.about.com/od/brinkmanngasgrills/fl/Brinkmann-4-Burner-Propane-Gas-Grill-Model-810-6420-S.htm>; About Food; Brinkmann 4-Burner Propane Gas Grill Model #810-6420-S (Discontinued); Sep. 6, 2015.

<http://www.goodhousekeeping.com/appliances/outdoor-grill-reviews/a29633/brinkmann-ranger-2-burner-gas-grill-810-4220-5/>; Good Housekeeping; Brinkmann Ranger 2-Burner Gas Grill #810-4220-5; Sep. 13, 2015.

<http://www.charbroil.com/products/charcoal-grills/box/deluxe-charcoal-box-grill>; Char-Broil; Deluxe Charcoal Box Grill; Apr. 19, 2015.

<http://www.charbroil.com/products/charcoal-grills>; Char_Broil; Charcoal Grills-Kettleman; Apr. 17, 2015.

http://www.novascan.com/products/acoustic_isolation.php; Novascan; Acoustic Hoods & Mechanical Noise Isolation Chambers for AFM and Sensitive Instruments; May 9, 2008.

<http://thefireworks.org/>; The Fireworks; Jul. 6, 2015.

<http://www.mhpgrills.com/grills/wnk/>; MHP Outdoor Grills; WNK 4 Grill; May 25, 2015.

http://www.patioandhearthproductsreport.com/index.php/product/kitchenaid_dual_lid_gas_grill; Patio & Hearth Products Report; Kitchenaid Dual-lid Gas Grill; Aug. 16, 2015.

<http://www.rayscomments.com/comment-catagories/barbecue/71-backyard-classic-pro-charcoalwood-grill.html>; Ray’s Comments; Backyard Classic Pro Charcoal/Wood Grill; Jun. 27, 2015.

<http://www.kitchenaid.com/shop/accessories-1/major-appliance-accessories-2/dishwashers-3/-%5bW10708004%5d-5516100/W10708004/>; Kitchenaid; Handle Kit w/ two Red Medallions for Panel-Ready Dishwasher; Sep. 5, 2015.

<http://web.archive.org/web/20131008210545/http://prestigedistributioninc.com/towel-bar-round-stainless-steel-asi-0755-ss.html>; Prestige Distribution, Inc.; Towel Bar Round Stainless Steel—ASI 0755-SS; Oct. 8, 2013.

<http://www.sz-wholesaler.com/p/1172/1184-2/towel-bar-zh-3124-614609.html>; SZ-Wholesaler.com; Towel Bar (ZH 3124); Sep. 20, 2014.

<https://www.mandmlandscapes.com/>; M&M Professional Landscaping; Outdoor Kitchens; Dec. 21, 2014.

<http://web.archive.org/web/20150911105612/http://www.ikea.com/gb/en/>; IKEA; Sep. 11, 2015.

Non-Final Office Action for U.S. Appl. No. 29/539,828 dated Sep. 18, 2017.

Notice of Allowance for U.S. Appl. No. 29/539,828 dated Jun. 27, 2018.

* cited by examiner

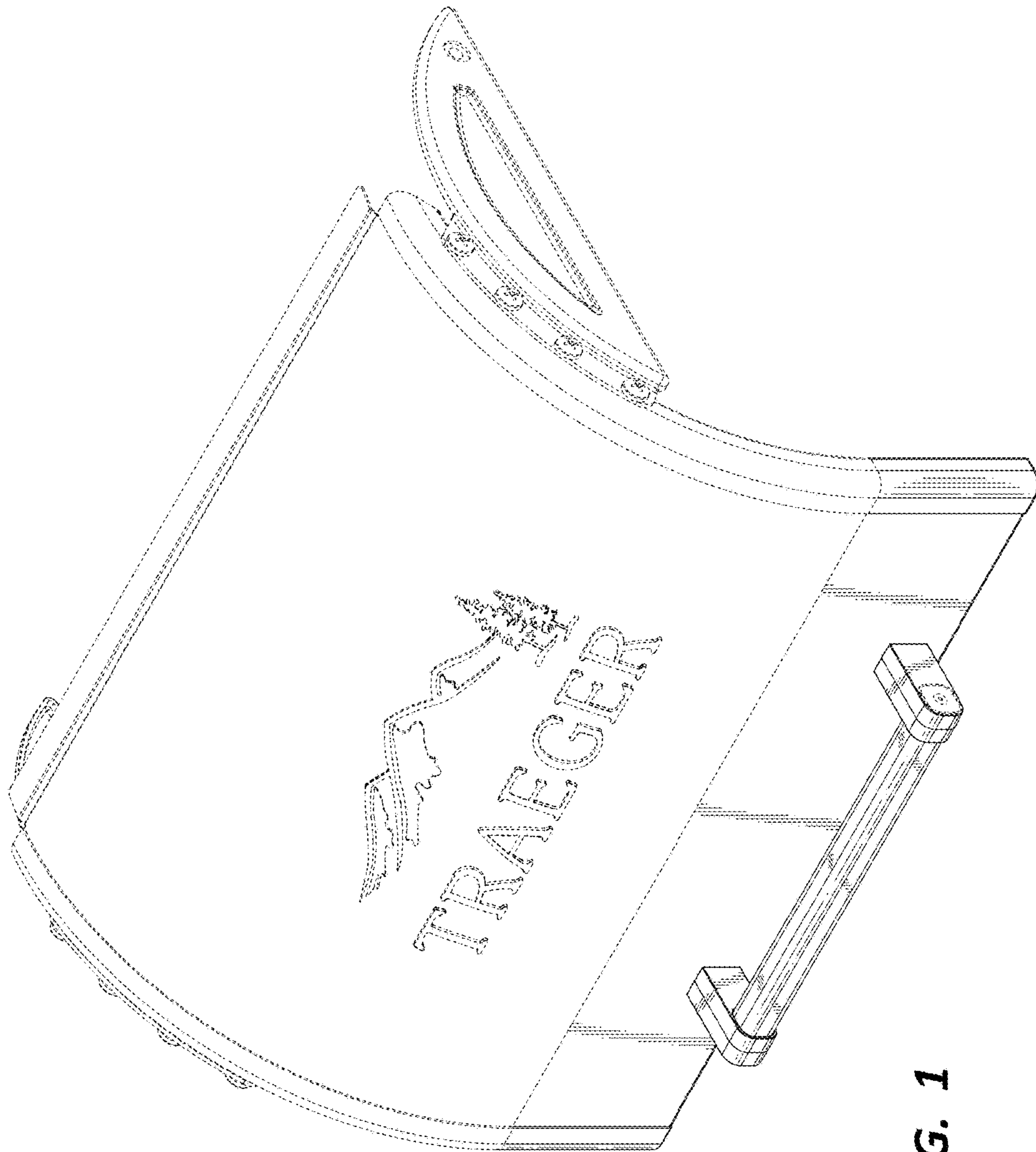


FIG. 1

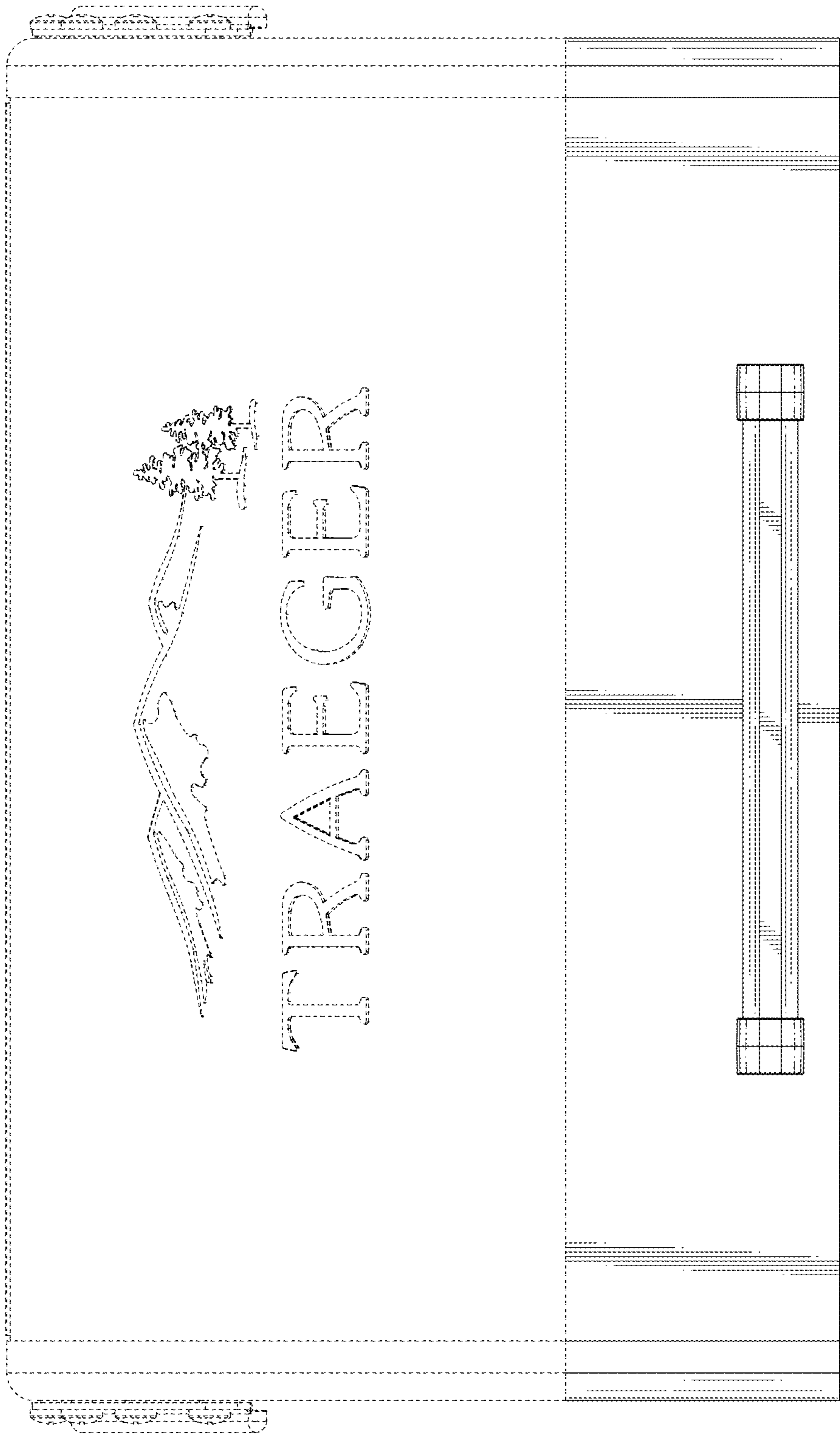


FIG. 2

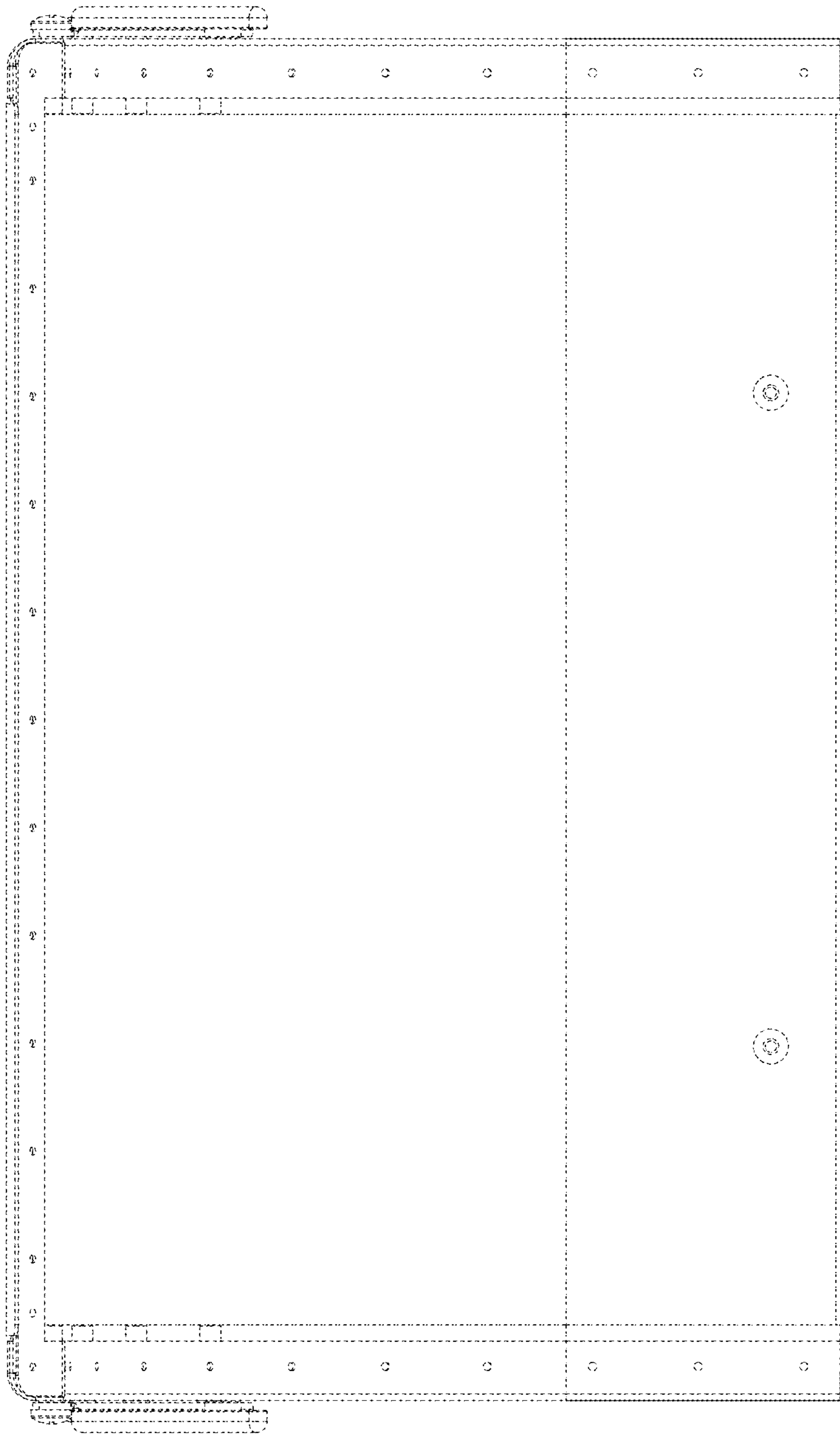


FIG. 3

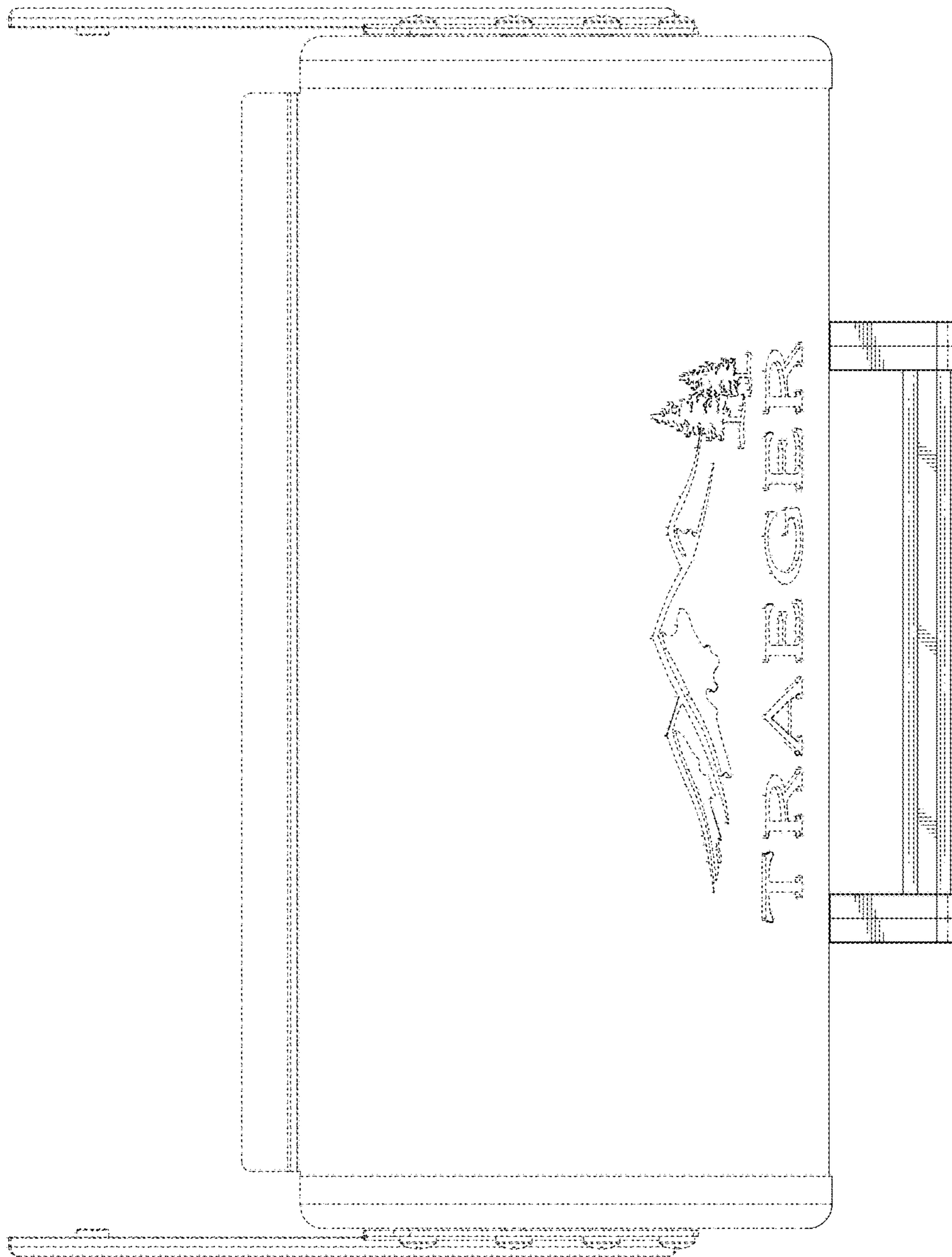


FIG. 4

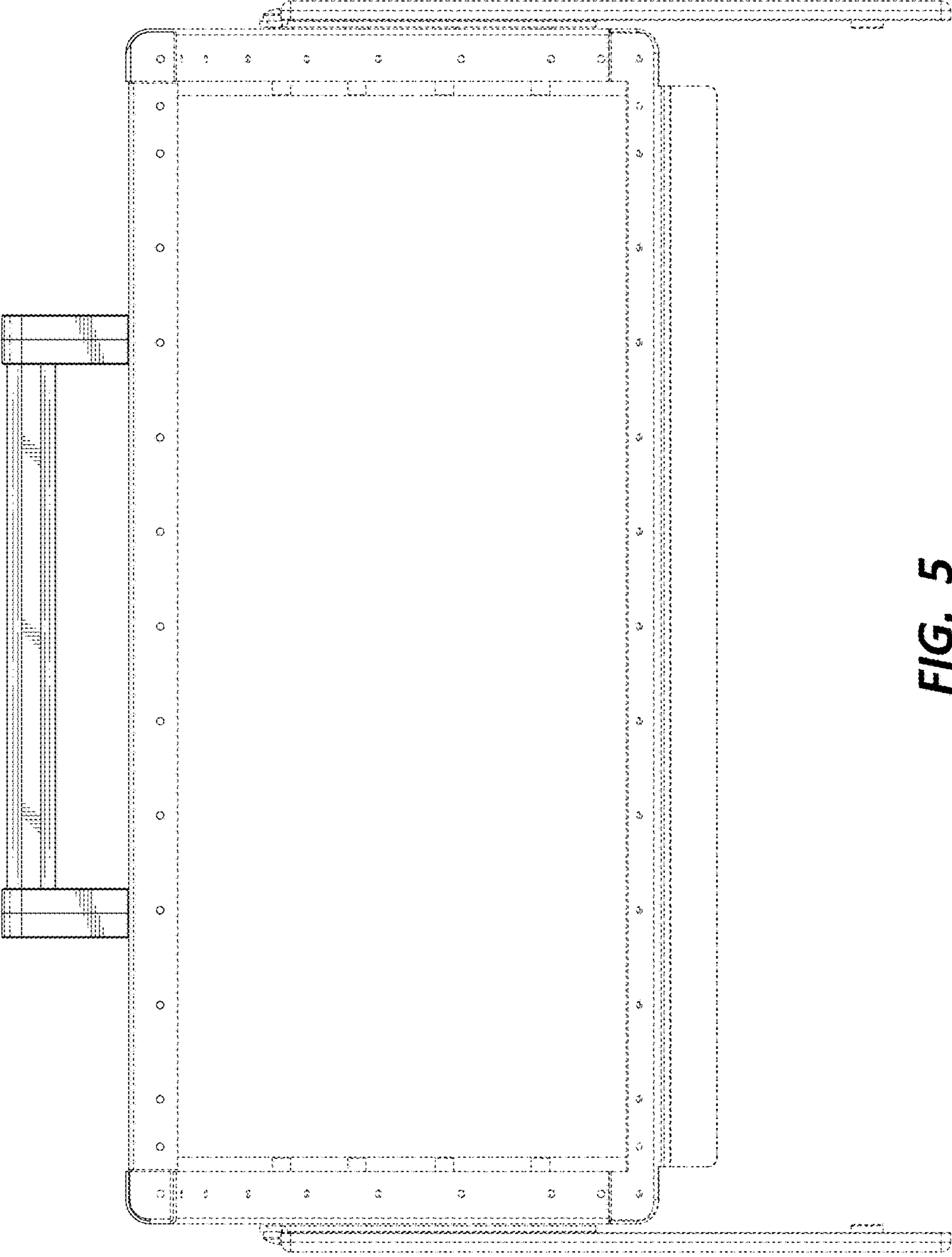


FIG. 5

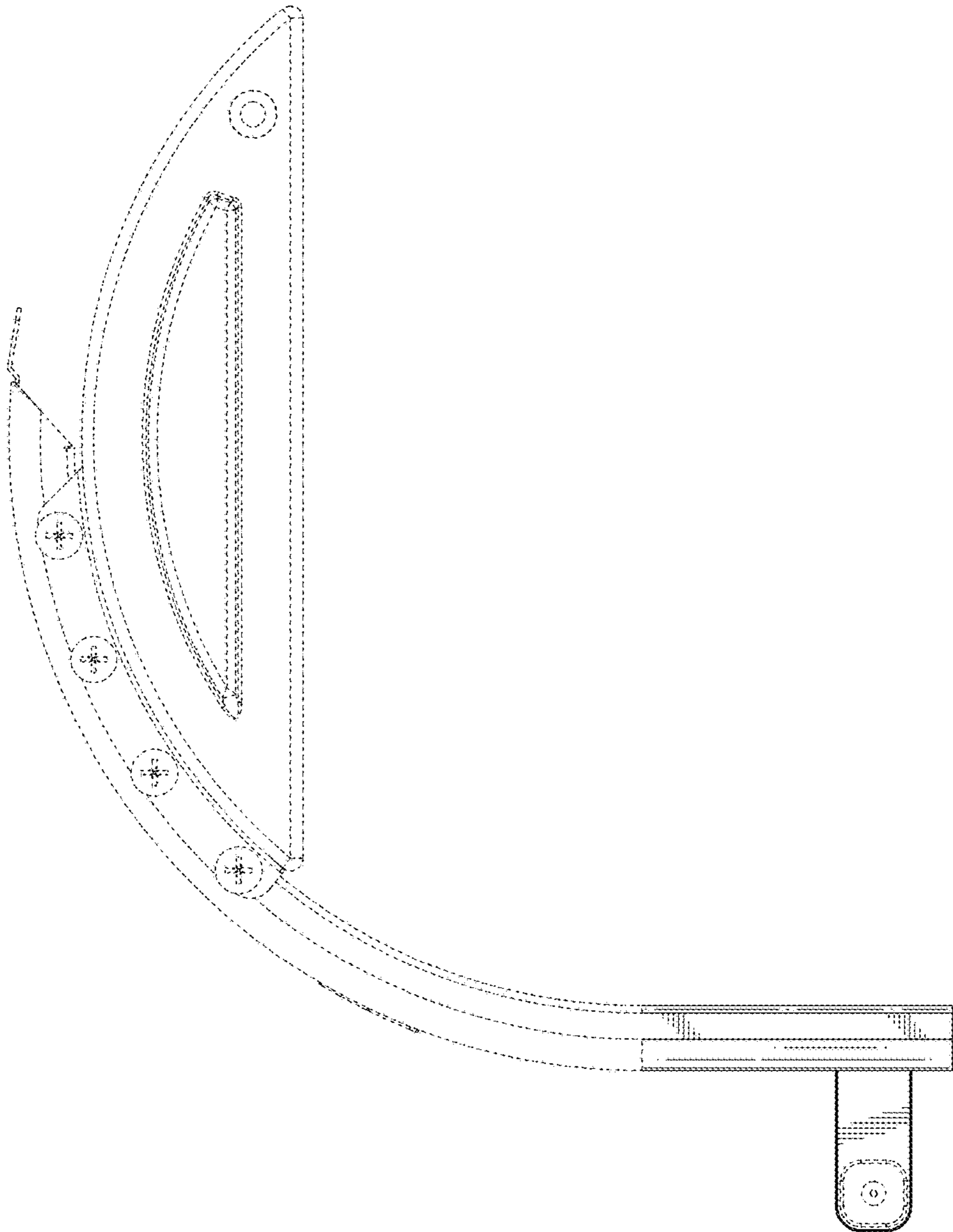


FIG. 6

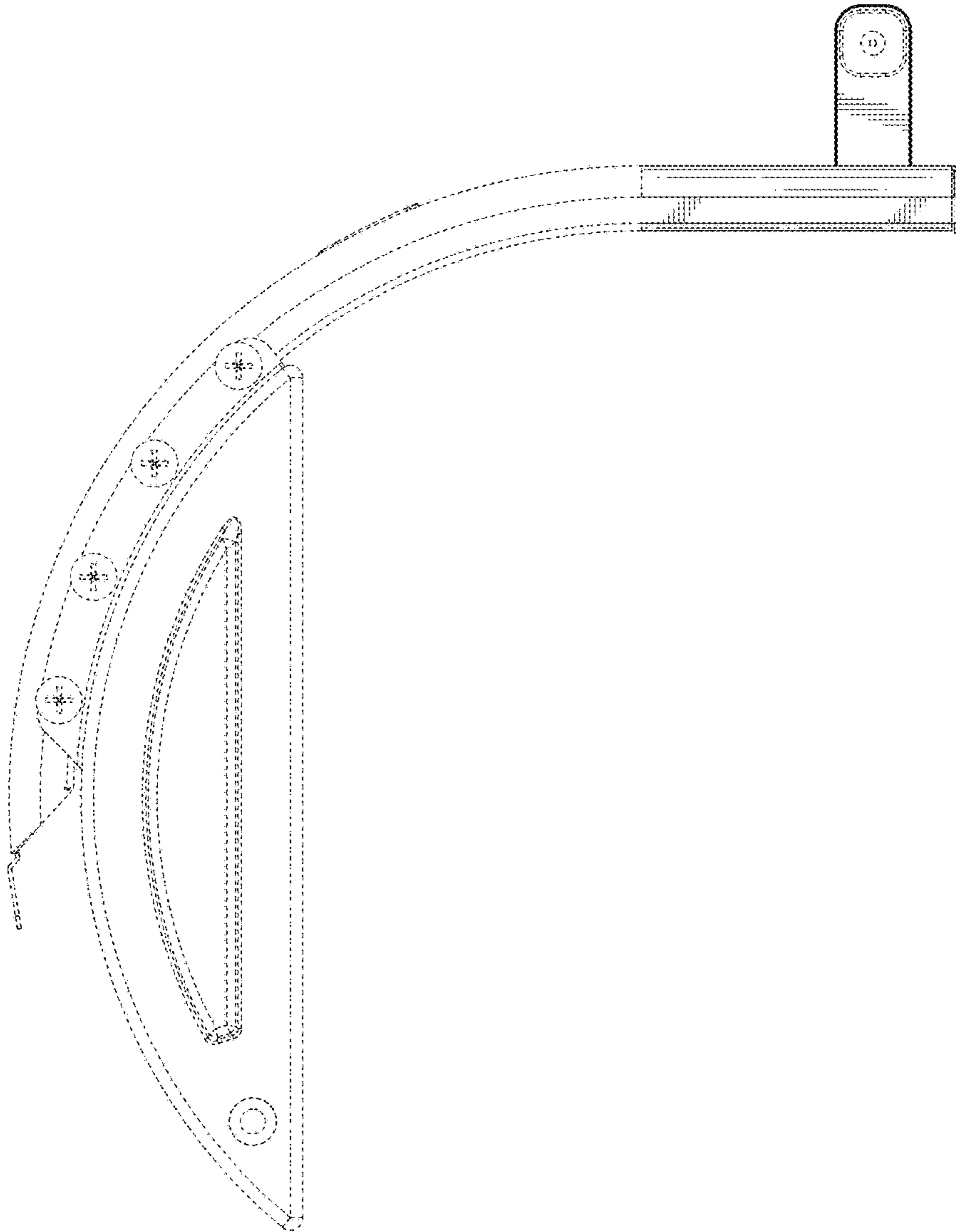


FIG. 7