



US00D845069S

(12) **United States Design Patent**  
**Lee**

(10) **Patent No.:** **US D845,069 S**  
(45) **Date of Patent:** **\*\* Apr. 9, 2019**

(54) **ELONGATED COOKWARE HANDLE**

(71) Applicant: **Kwong Wah Lee**, Hong Kong (CN)

(72) Inventor: **Kwong Wah Lee**, Hong Kong (CN)

(73) Assignee: **Meyer Intellectual Properties Limited**  
(VG)

(\*\*) Term: **15 Years**

(21) Appl. No.: **29/639,864**

(22) Filed: **Mar. 9, 2018**

(51) **LOC (11) Cl.** ..... **07-02**

(52) **U.S. Cl.**  
USPC ..... **D7/395**

(58) **Field of Classification Search**  
USPC ..... D7/354–361, 393–395, 401.2, 664;  
D8/107, 300, 303, 307, 313, 321;  
D4/138, 129  
CPC ..... A47J 45/06; A47J 45/061; A47J 45/62;  
A47J 45/071; A47J 45/072; A47J 45/08;  
A47J 45/085  
See application file for complete search history.

(56) **References Cited**

**U.S. PATENT DOCUMENTS**

D630,056 S *	1/2011	Rae	.....	D7/395
D635,396 S *	4/2011	Rae	.....	D7/395
D644,872 S *	9/2011	McEldowney	.....	D7/395
D650,216 S *	12/2011	Rae	.....	D7/395
D678,715 S *	3/2013	Rae	.....	D7/395

D682,026 S *	5/2013	Rae	.....	D7/395
D687,261 S *	8/2013	Rae	.....	D7/395
D713,677 S *	9/2014	Rae	.....	D7/395
D713,679 S *	9/2014	Rae	.....	D7/395
D713,680 S *	9/2014	Rae	.....	D7/395
D758,794 S *	6/2016	Barberi	.....	D7/395

\* cited by examiner

*Primary Examiner* — Cynthia M. Chin

(74) *Attorney, Agent, or Firm* — Edward S. Sherman

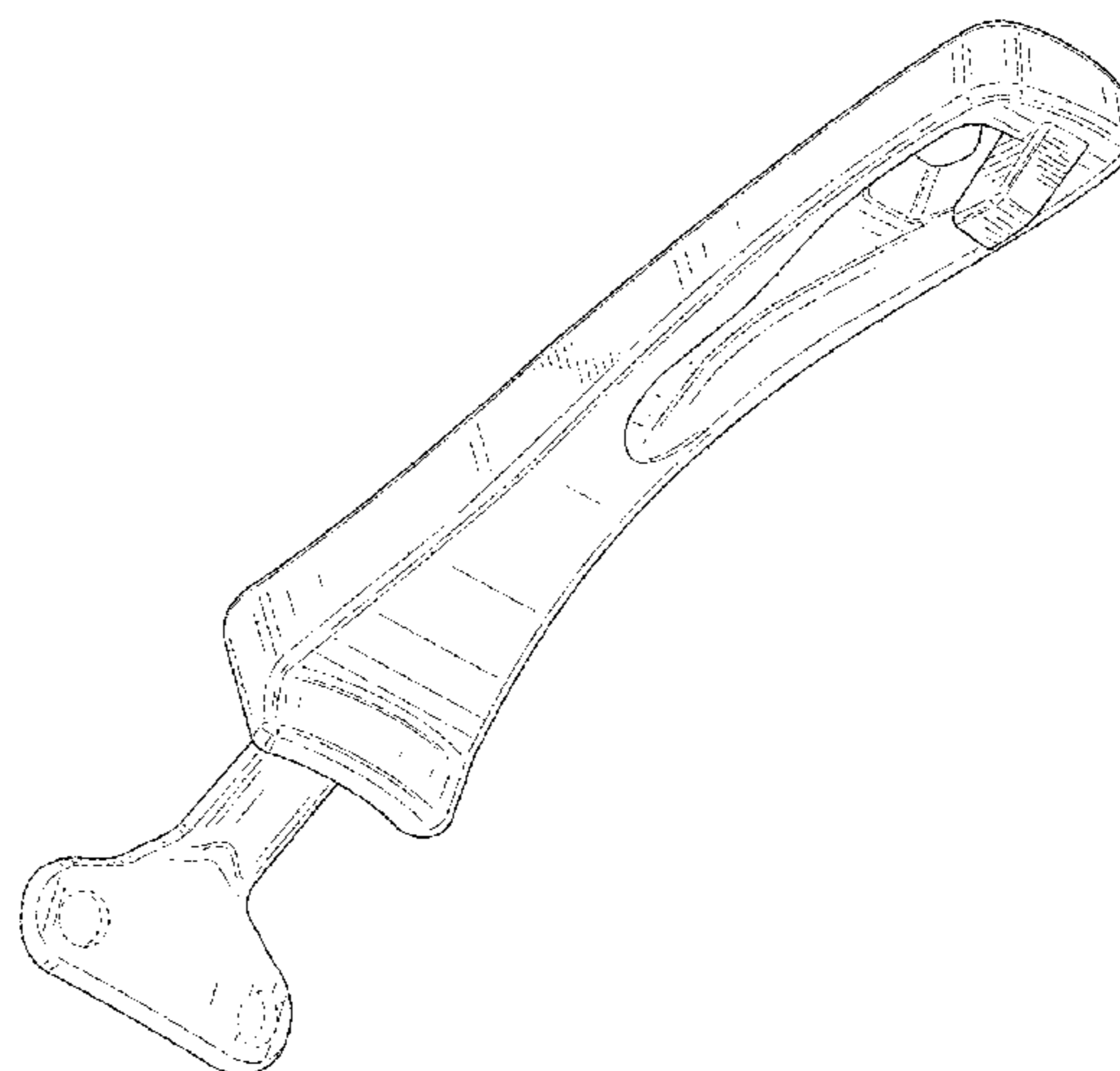
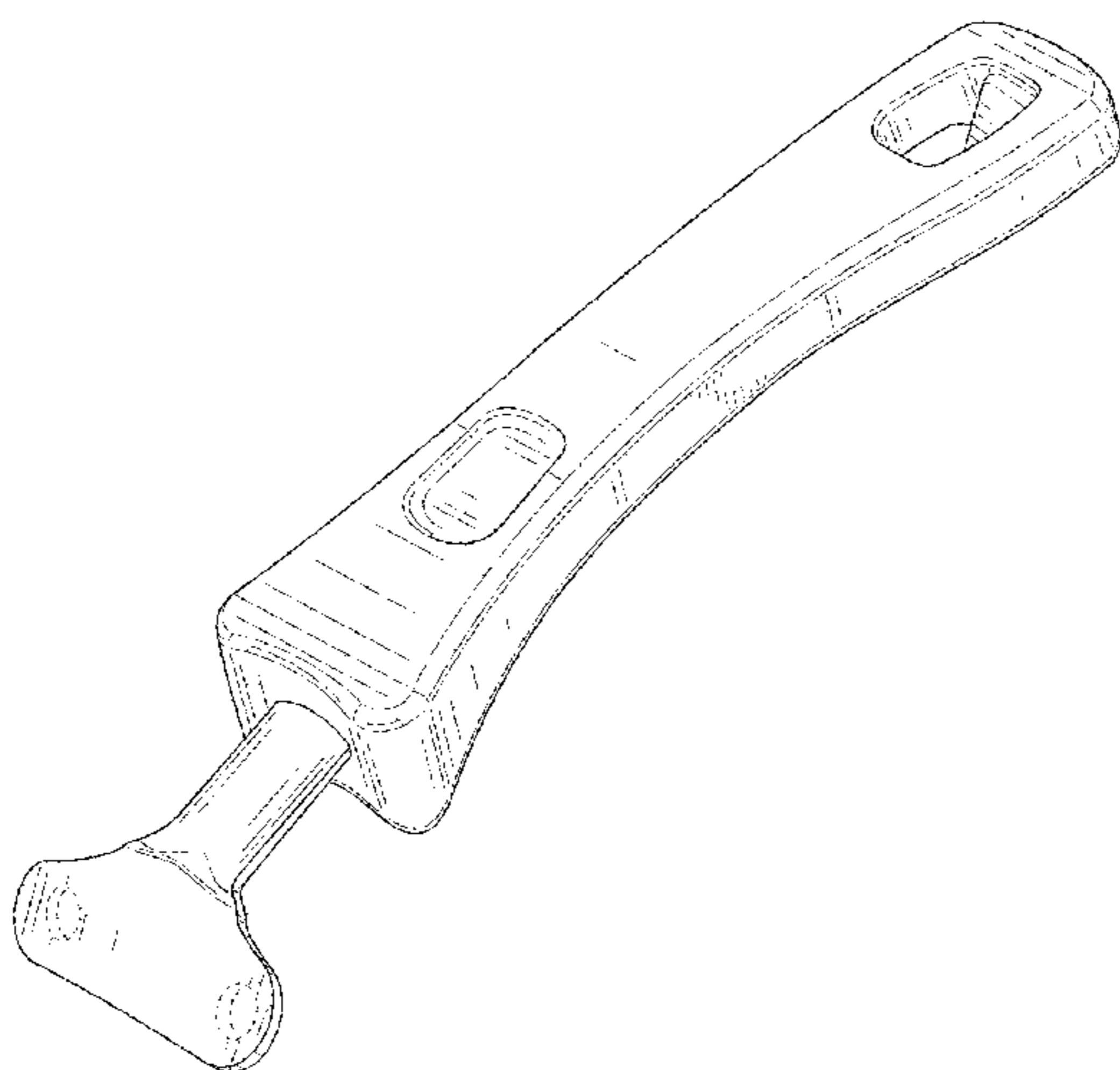
(57) **CLAIM**

The ornamental design for an elongated cookware handle, as shown and described.

**DESCRIPTION**

FIG. 1 is a top perspective view of the “elongated cookware handle”, showing my new design;  
FIG. 2 is a bottom perspective view thereof at the opposite viewpoint from FIG. 1;  
FIG. 3 is a front elevation view thereof;  
FIG. 4 is a back elevation view thereof;  
FIG. 5 is a right side elevation view thereof; the left side elevation view being the mirror image thereof;  
FIG. 6 is a top plan view thereof;  
FIG. 7 is a bottom plan view thereof; and,  
FIG. 8 is a cross-sectional elevation corresponding to the view in FIG. 5, taken at section line 8-8 in FIG. 6.  
The broken lines are for the purpose of illustrating portions of the handle that form no part of the claimed design.

**1 Claim, 7 Drawing Sheets**



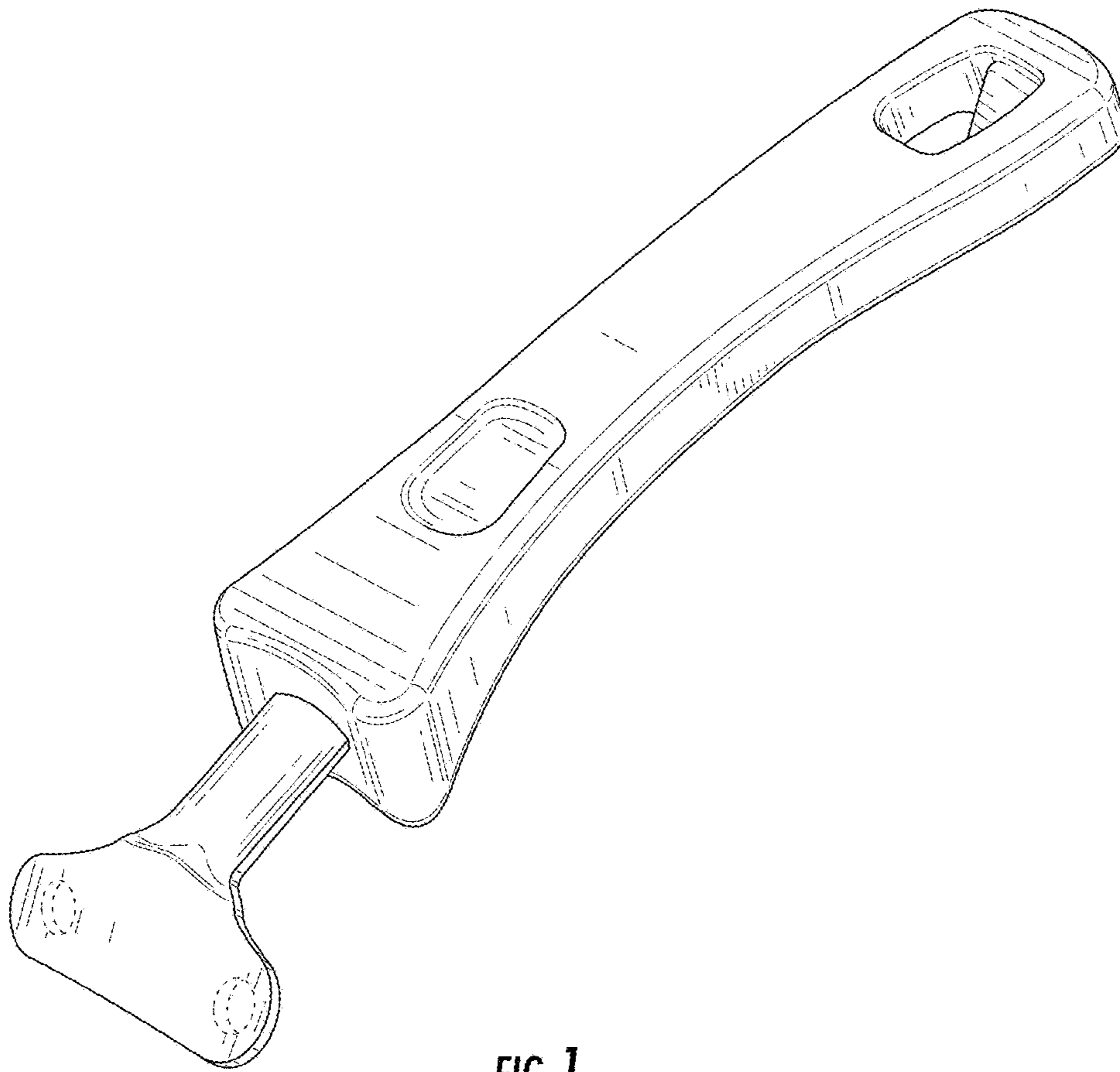


FIG. 1

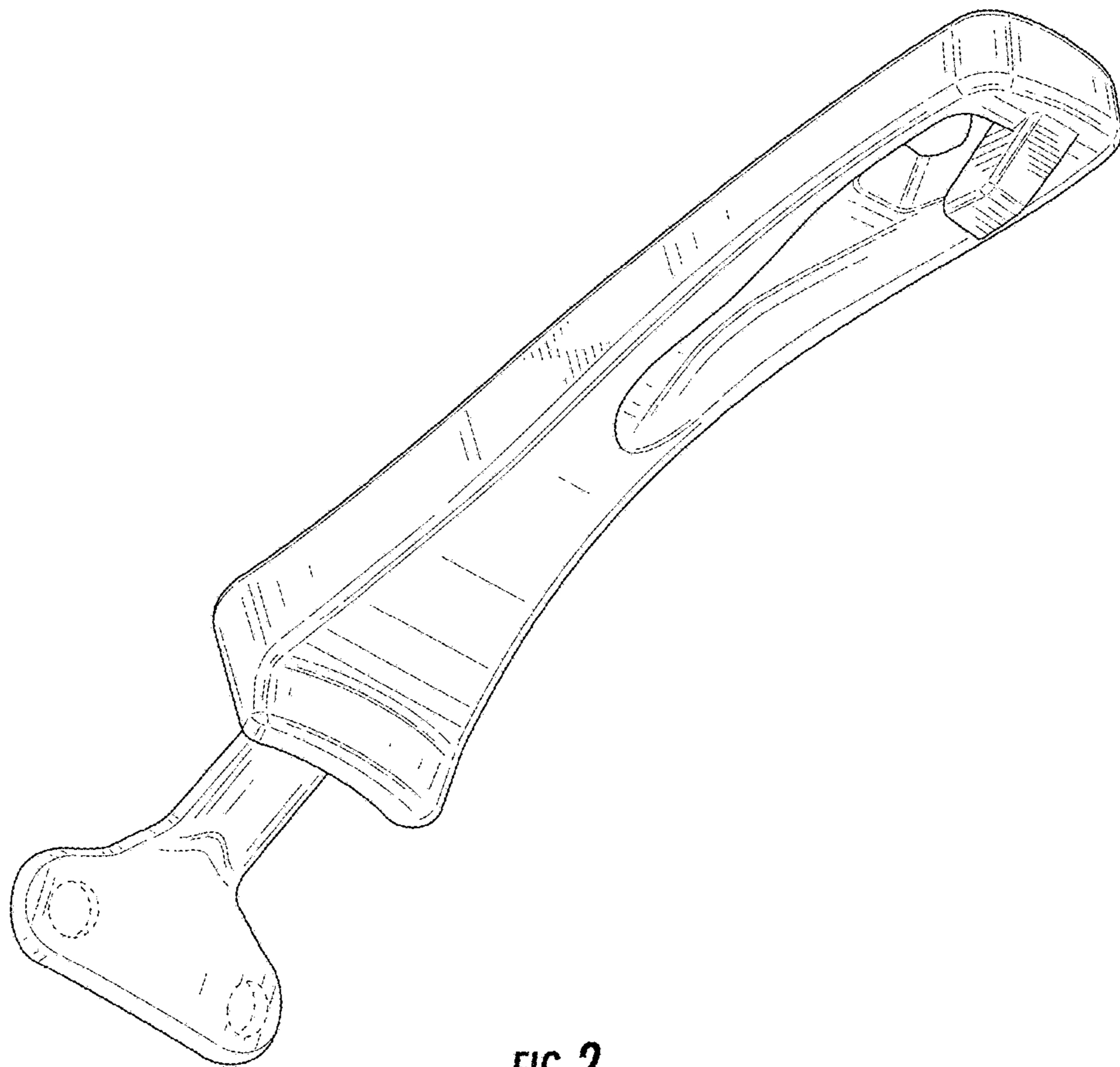


FIG. 2

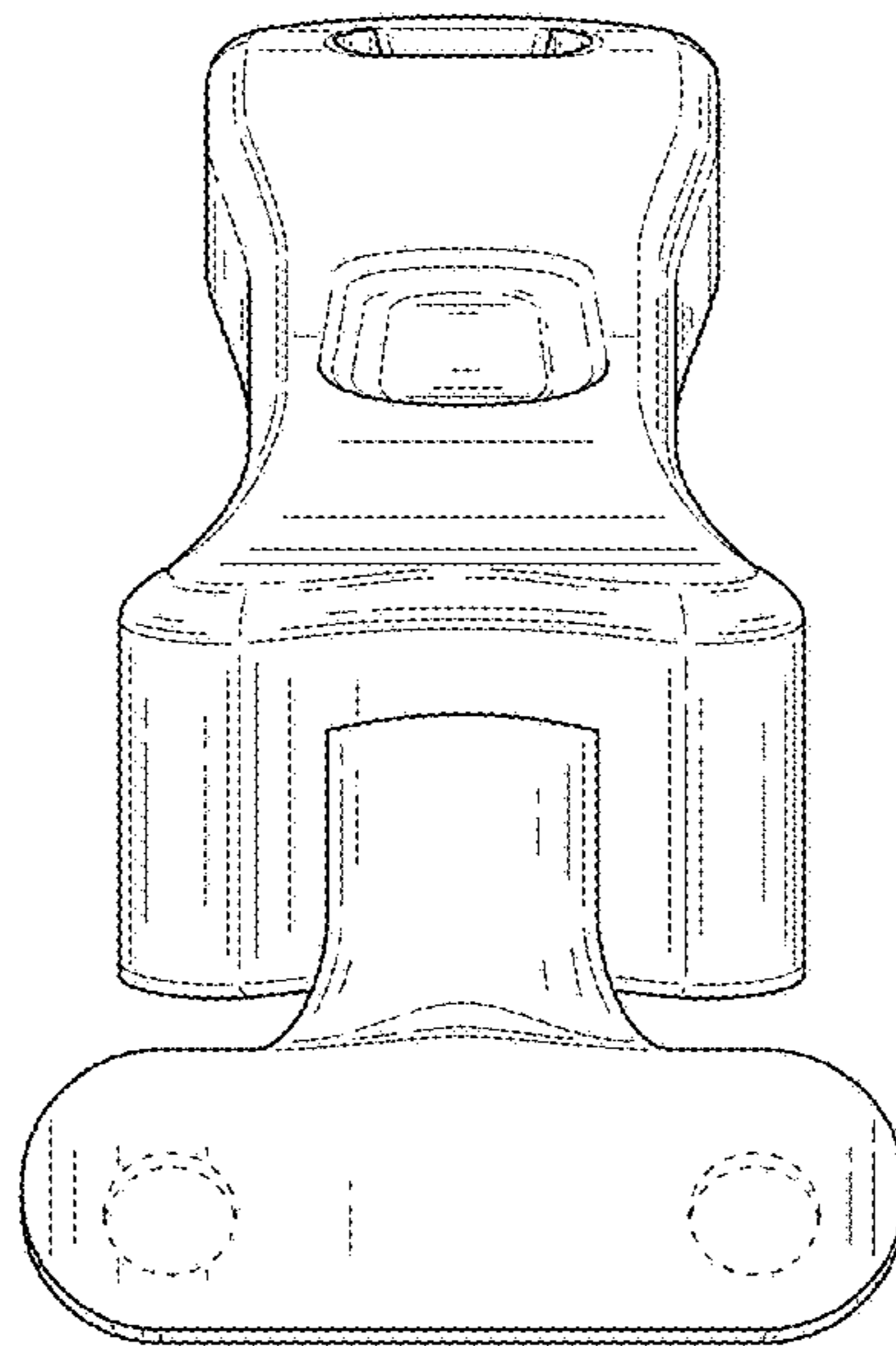


FIG. 3

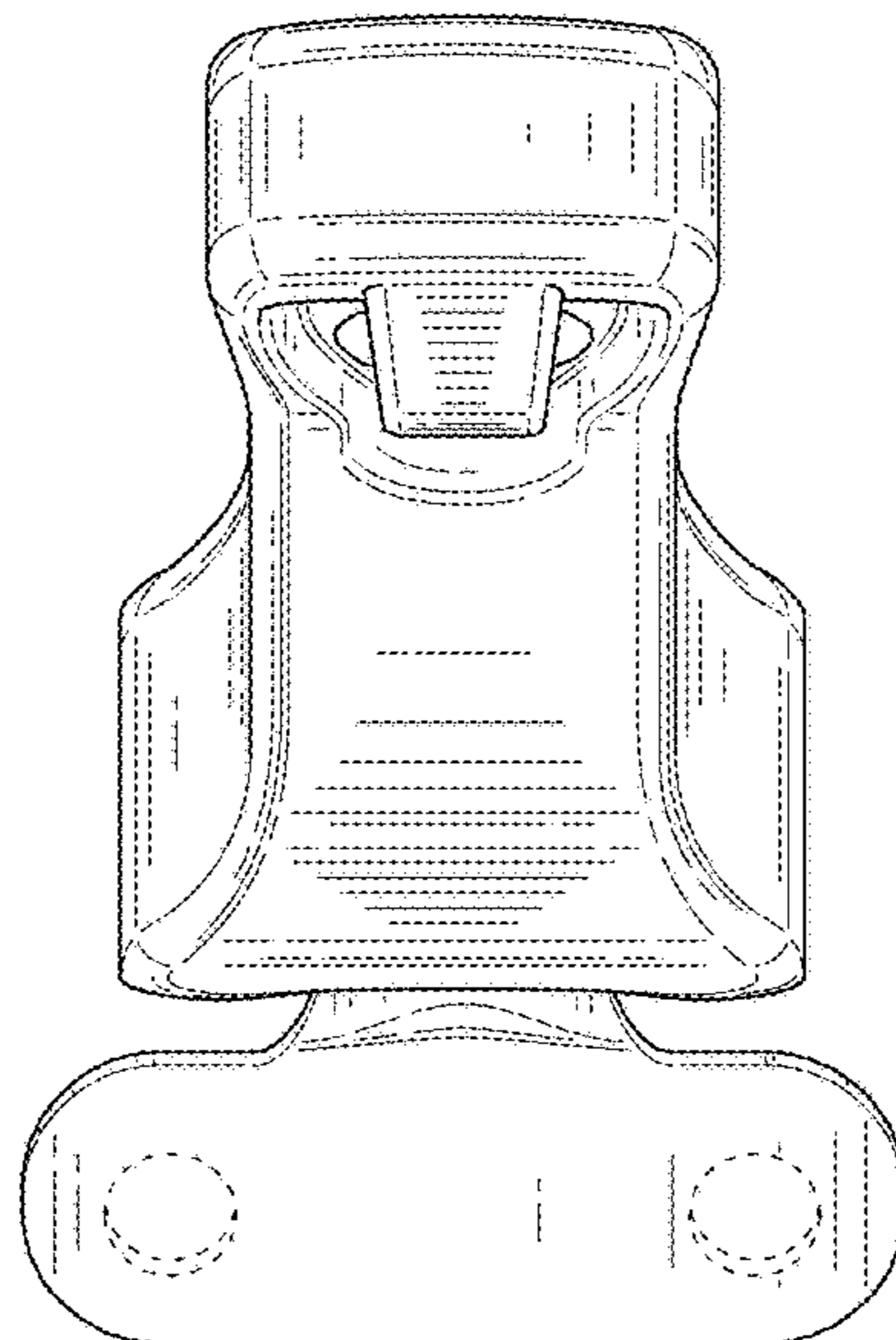


FIG. 4

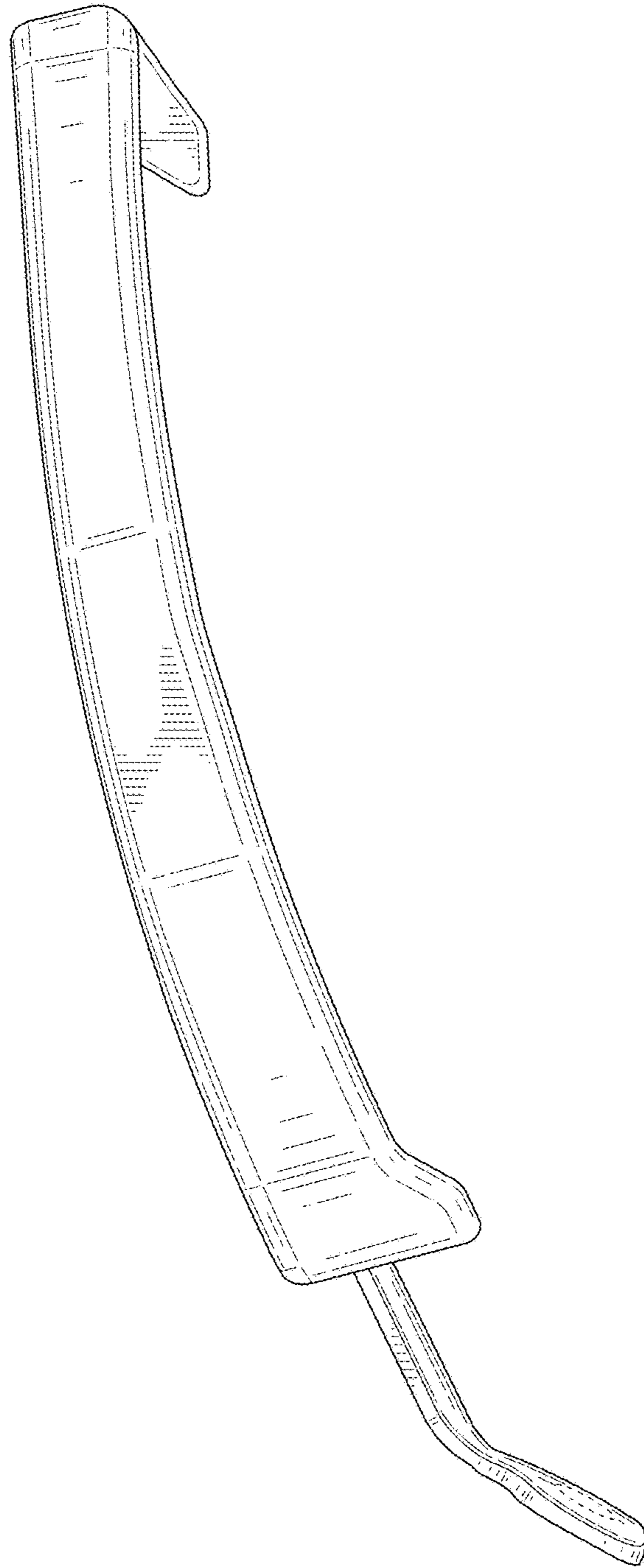


FIG. 5

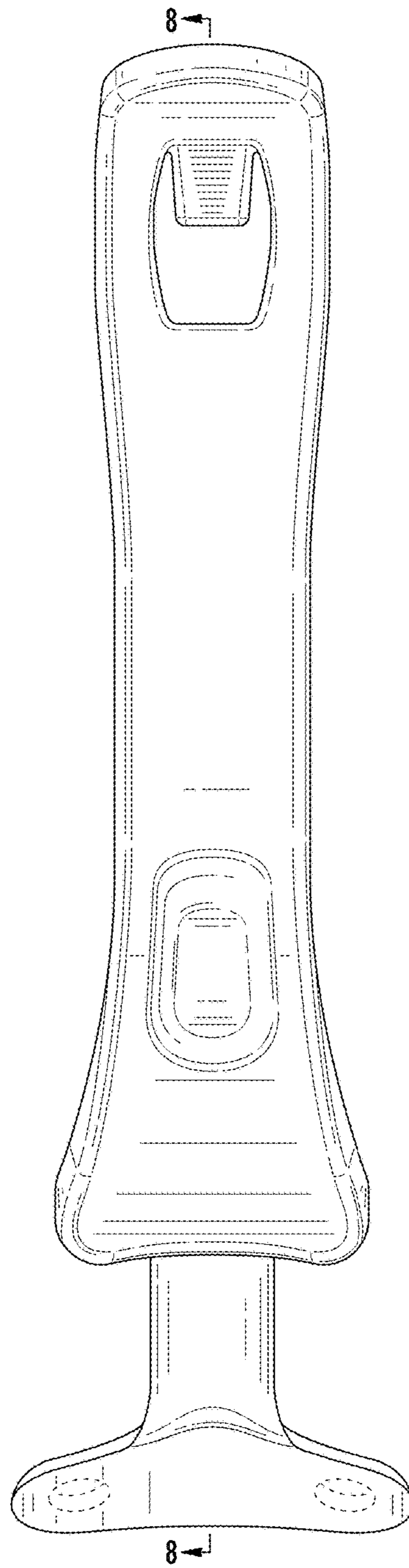


FIG. 6

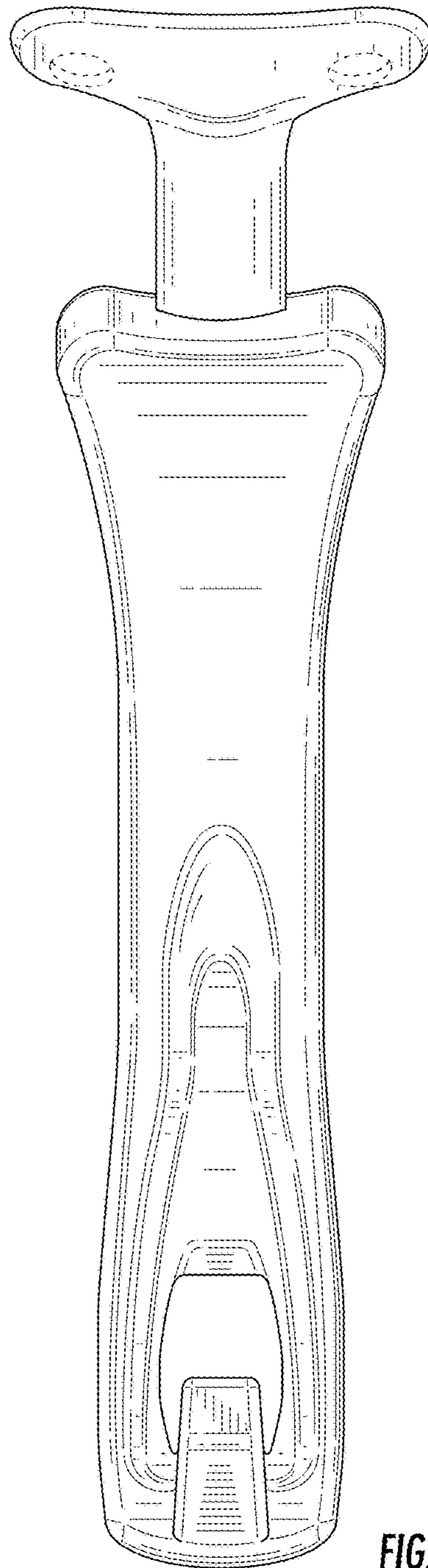


FIG. 7

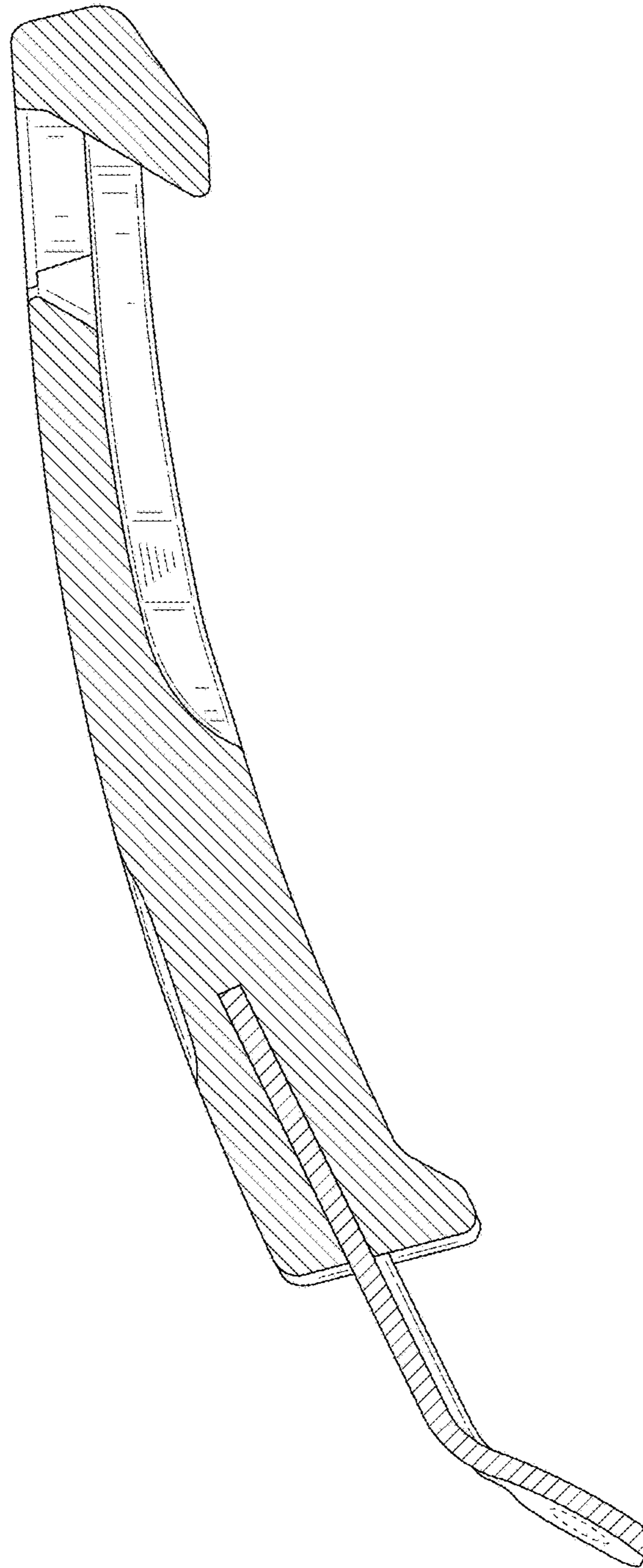


FIG. 8