



US00D845066S

(12) **United States Design Patent**
Wei Shen

(10) **Patent No.:** **US D845,066 S**

(45) **Date of Patent:** **** Apr. 9, 2019**

(54) **COOKING HANDLE**

(71) Applicant: **John Wei Shen**, Chino Hills, CA (US)

(72) Inventor: **John Wei Shen**, Chino Hills, CA (US)

(**) Term: **15 Years**

(21) Appl. No.: **29/631,093**

(22) Filed: **Dec. 27, 2017**

(51) **LOC (11) Cl.** **07-02**

(52) **U.S. Cl.**
USPC **D7/395**

(58) **Field of Classification Search**
USPC D7/354-361, 393-395, 401.2, 664;
D8/107, 300, 303, 307, 313, 321;
D4/138, 129
CPC A47J 45/06; A47J 45/061; A47J 45/62;
A47J 45/071; A47J 45/072; A47J 45/08;
A47J 45/085

See application file for complete search history.

(56) **References Cited**

U.S. PATENT DOCUMENTS

D562,063 S * 2/2008 Munari D7/395
D579,265 S * 10/2008 Munari D7/395
D589,745 S * 4/2009 Munari D7/395

D615,810 S * 5/2010 Munari D7/395
D618,051 S * 6/2010 Munari D7/395
D699,071 S * 2/2014 Munari D7/395
D724,377 S * 3/2015 Munari D7/395
D724,378 S * 3/2015 Munari D7/395
D724,379 S * 3/2015 Munari D7/395
D736,032 S * 8/2015 Munari D7/395
D784,756 S * 4/2017 Dingjian D7/395
D828,087 S * 9/2018 Munari D7/395
D832,034 S * 10/2018 Munari D7/395

* cited by examiner

Primary Examiner — Cynthia M. Chin

(74) *Attorney, Agent, or Firm* — Clement Cheng

(57) **CLAIM**

The ornamental design for a cooking handle, as shown and described.

DESCRIPTION

FIG. 1 is a perspective view.

FIG. 2 is a rear view.

FIG. 3 is a top view.

FIG. 4 is a left side view.

FIG. 5 is a right side view.

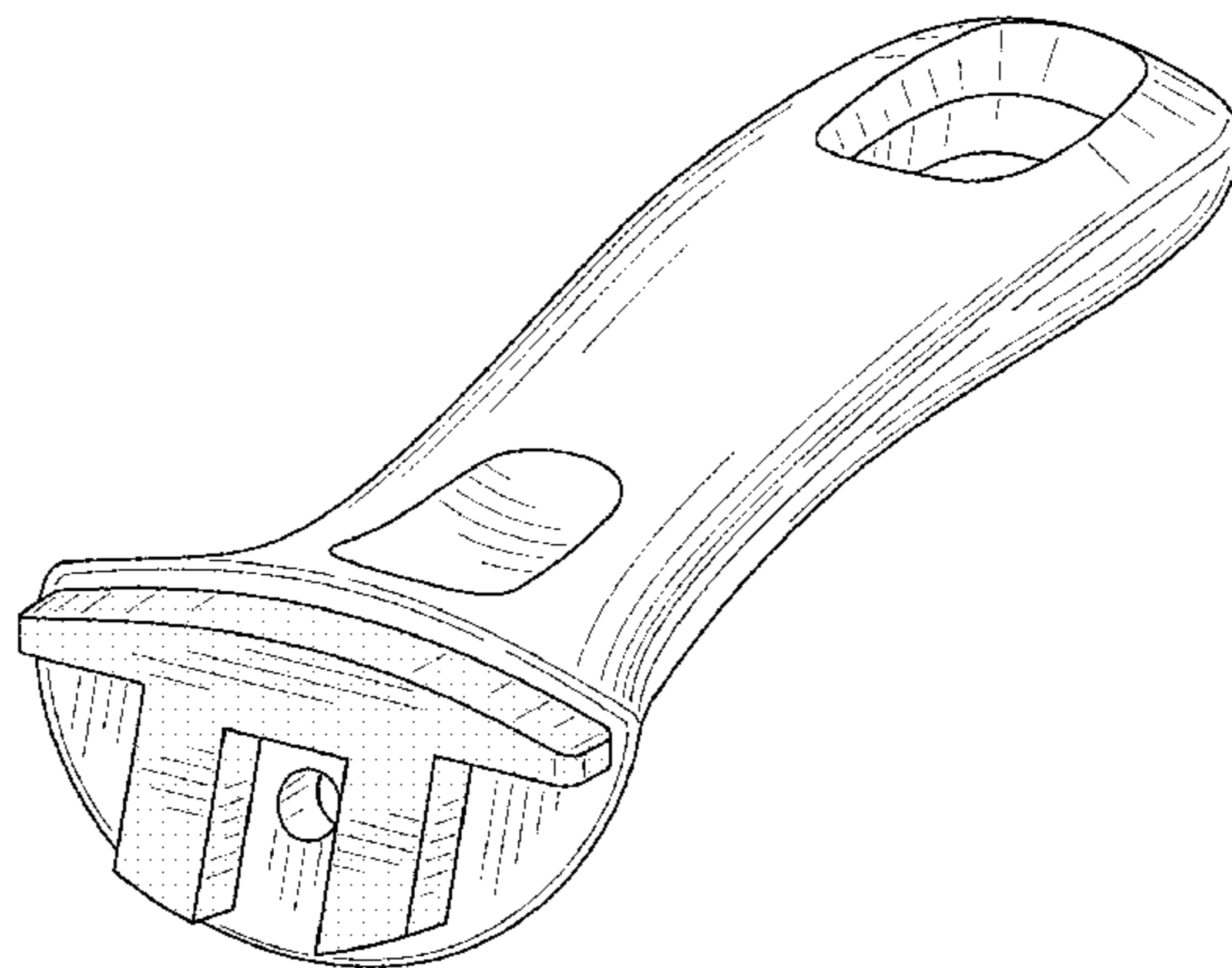
FIG. 6 is a top view.

FIG. 7 is a bottom view; and,

FIG. 8 is a perspective view.

The broken lines are for the purpose of illustrating portions of the article that form no part of the claim.

1 Claim, 5 Drawing Sheets



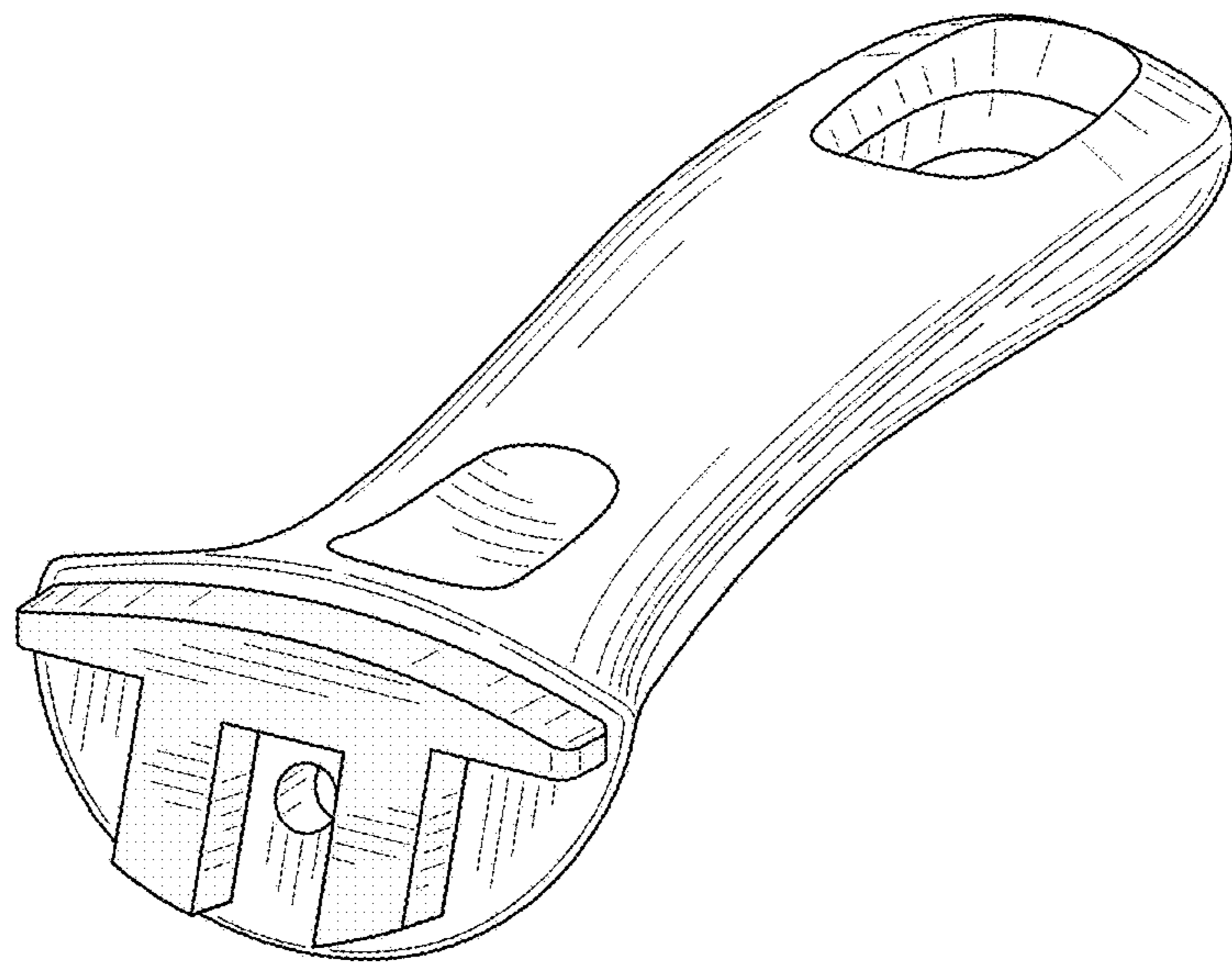


FIG. 1

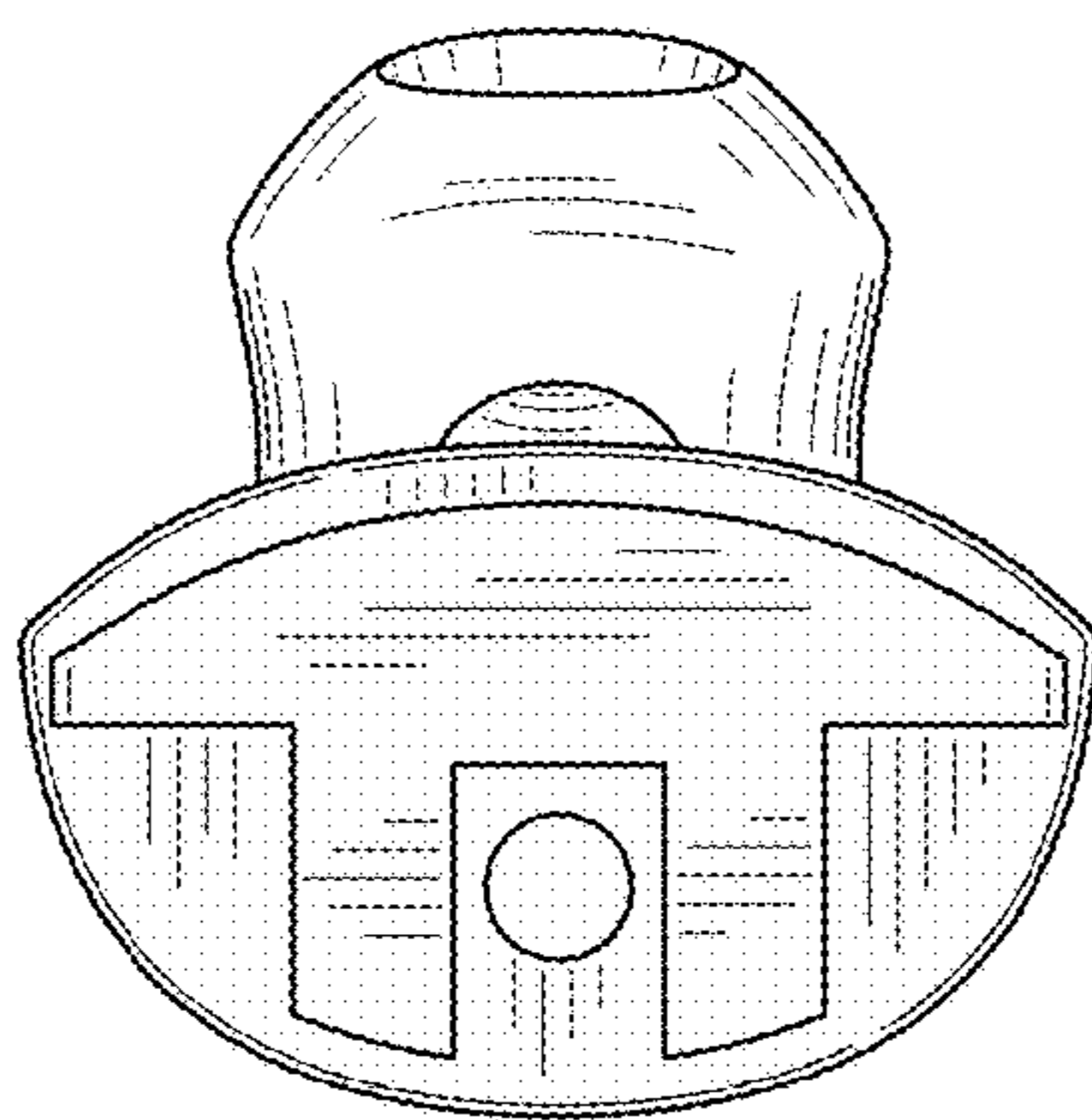


FIG. 2

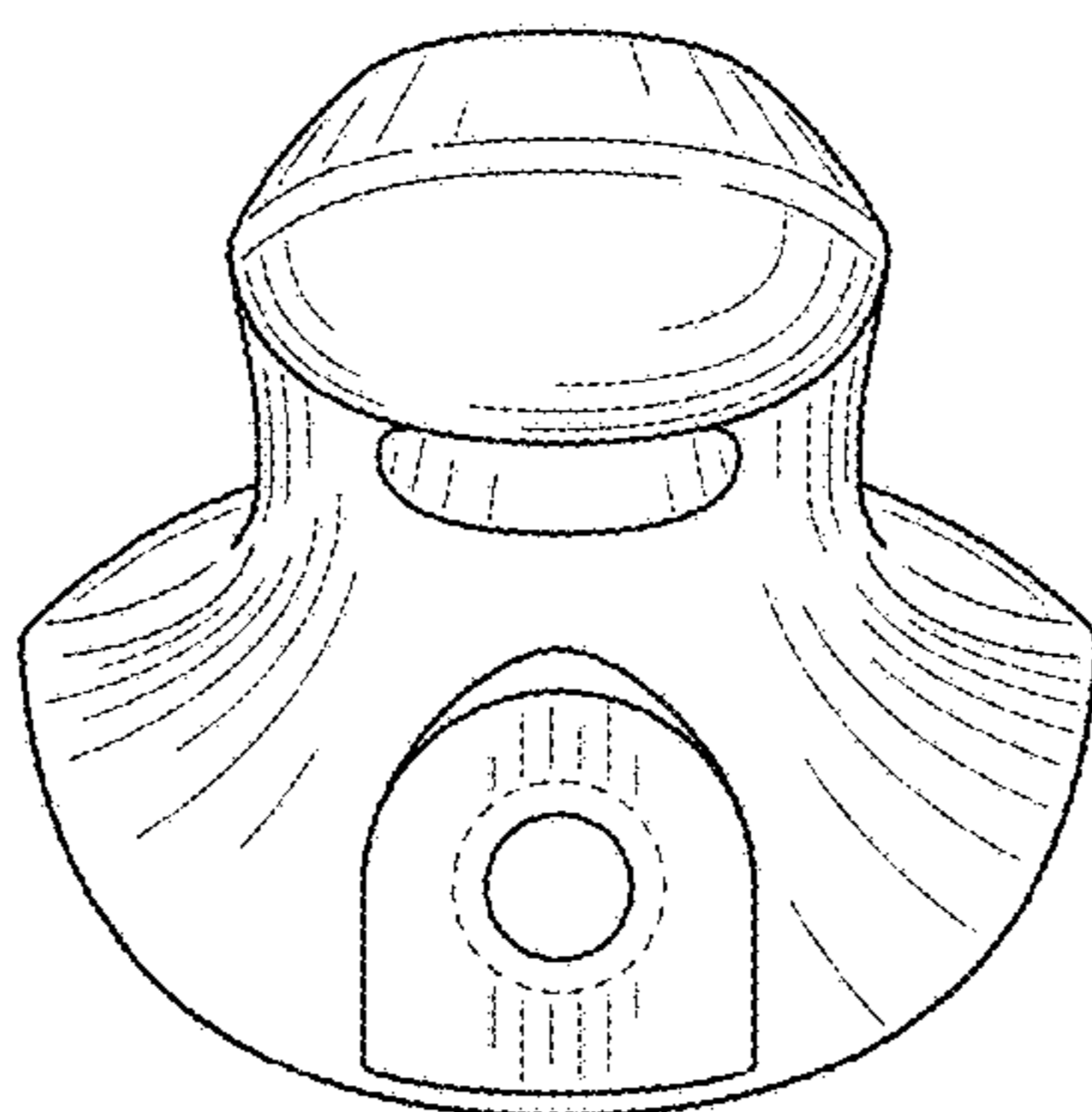


FIG. 3

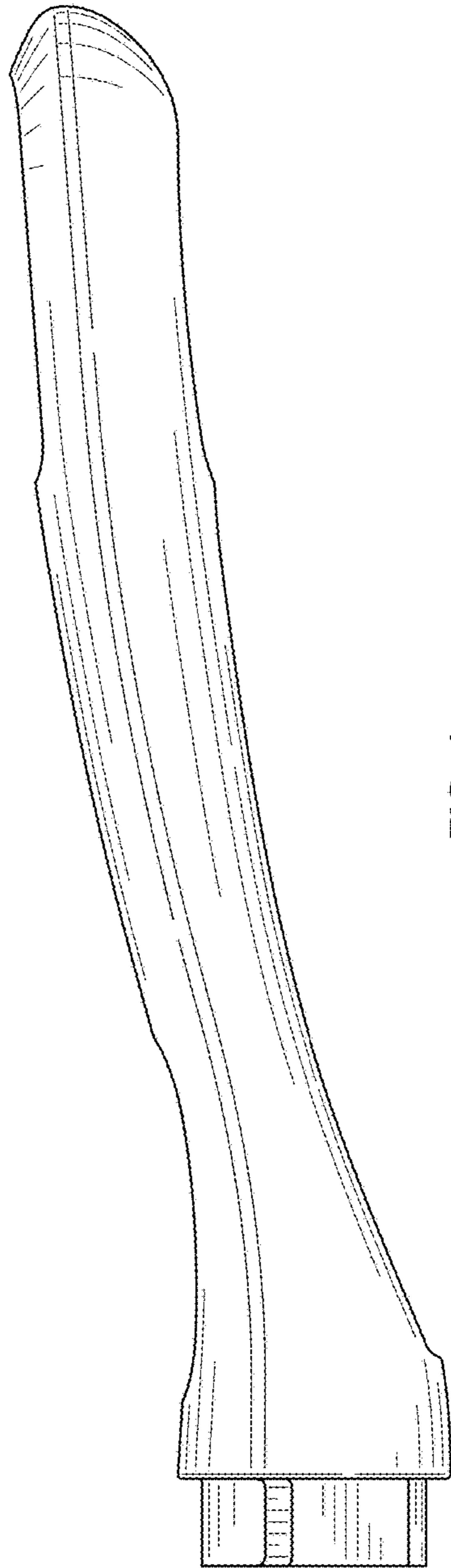


FIG. 4

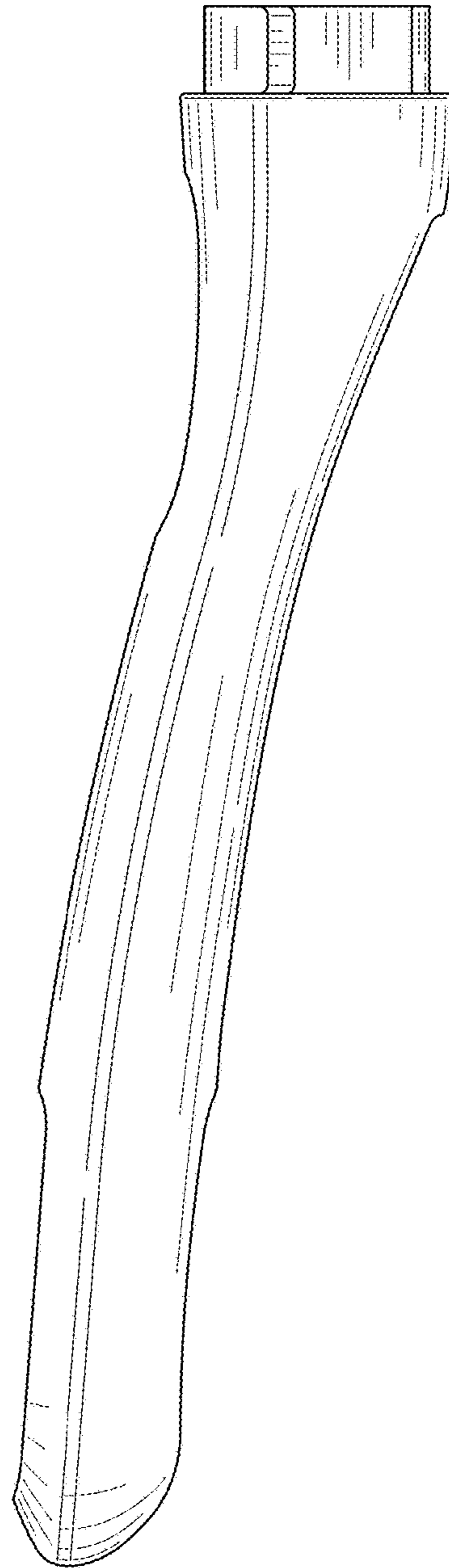


FIG. 5

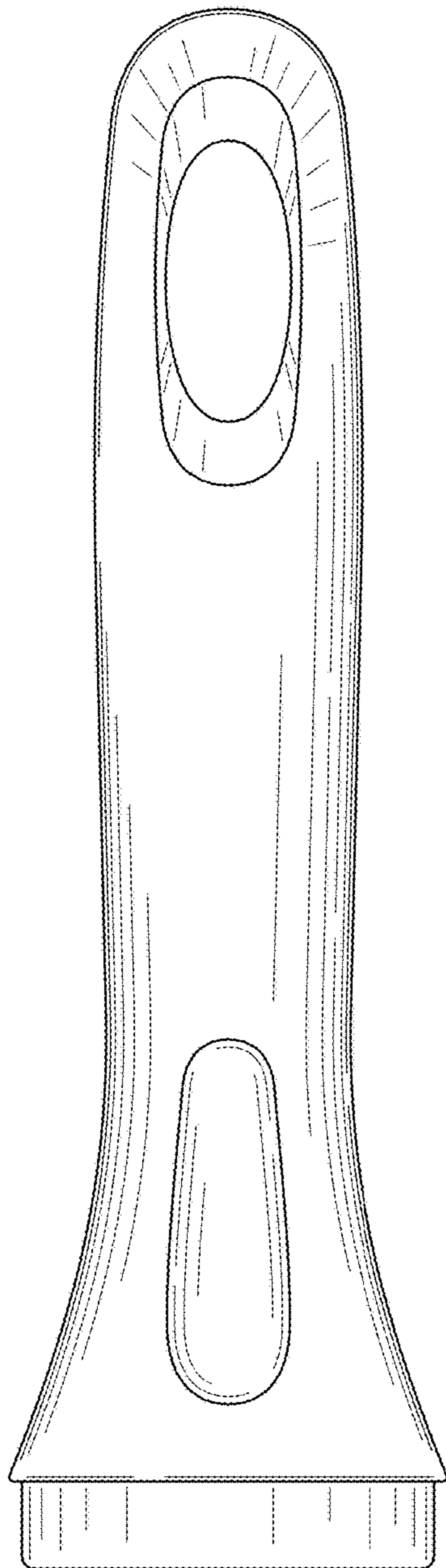


FIG. 6

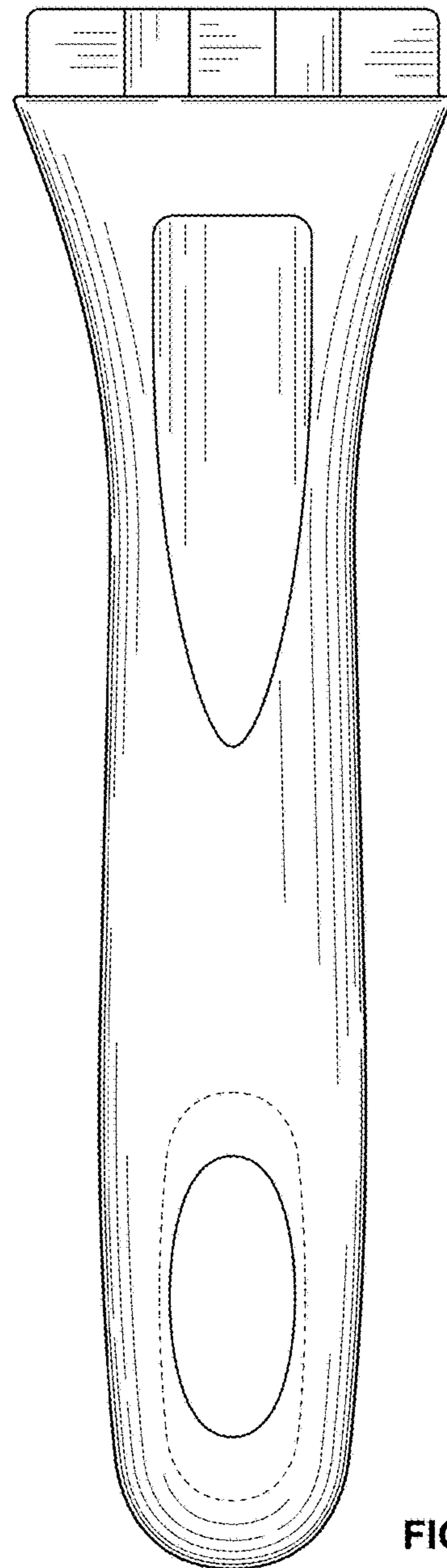


FIG. 7

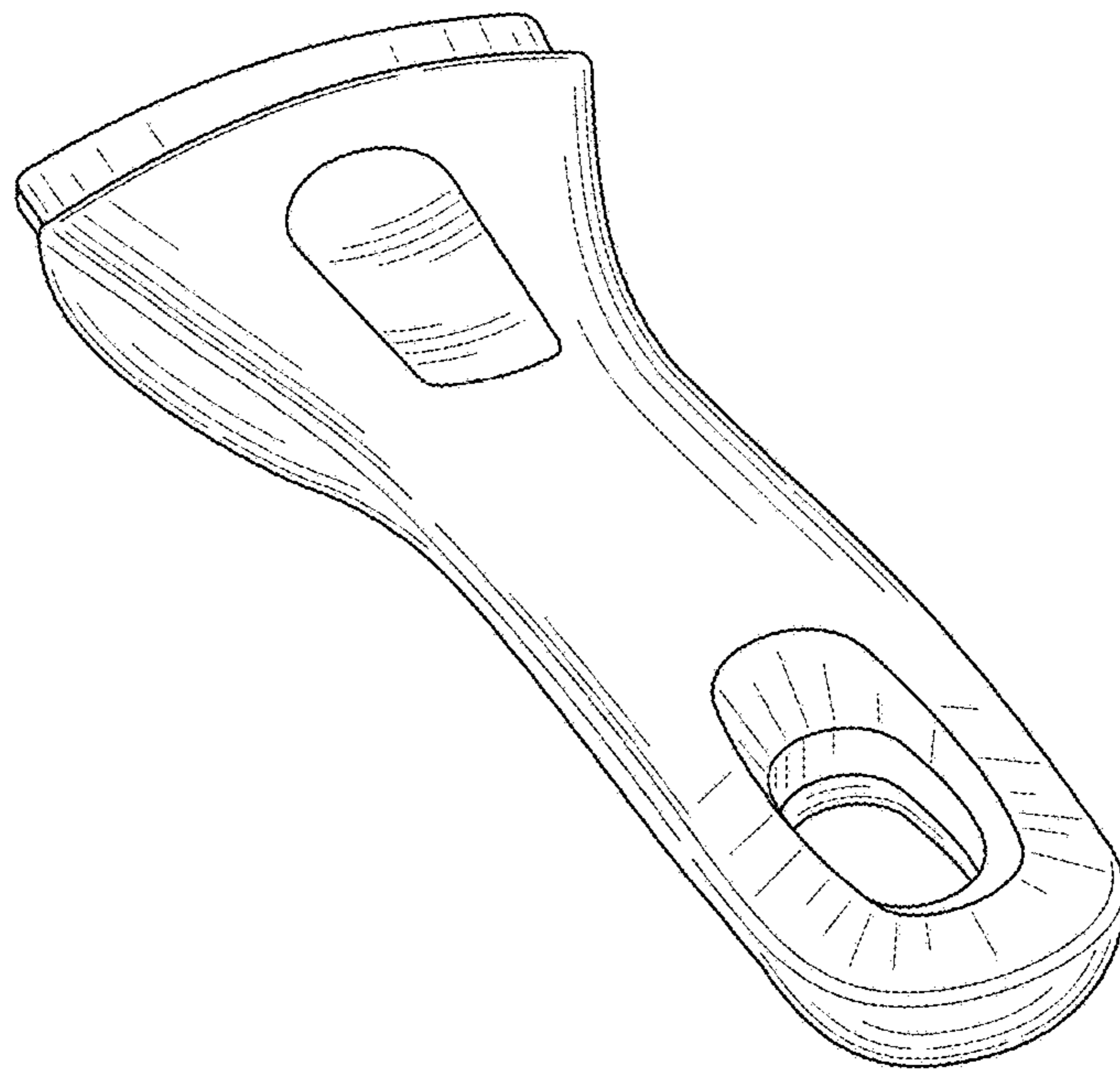


FIG. 8