



US00D845064S

(12) **United States Design Patent** (10) **Patent No.:** **US D845,064 S**
Mulhauser et al. (45) **Date of Patent:** **** Apr. 9, 2019**

(54) **TUMBLER LID**
(71) Applicant: **Silver Buffalo, LLC**, New York, NY (US)
(72) Inventors: **Paul Mulhauser**, New York, NY (US);
Lyndon Treacy, Brooklyn, NY (US);
Eric Silver, New York, NY (US)
(73) Assignee: **Silver Buffalo, LLC**, New York, NY (US)

D478,779 S 8/2003 Stamper
D482,238 S 11/2003 Lin
D488,672 S 4/2004 Oas
6,718,664 B2 4/2004 Williams
D489,574 S 5/2004 Copeland
D494,010 S 8/2004 Yuen
D508,186 S 8/2005 Edelstein
D525,082 S 7/2006 Copeland
D528,861 S 9/2006 Herrera
D528,862 S 9/2006 Li
D530,154 S 10/2006 Zerillo et al.
(Continued)

(**) Term: **15 Years**

OTHER PUBLICATIONS

(21) Appl. No.: **29/605,198**
(22) Filed: **May 24, 2017**
(51) **LOC (11) Cl.** **07-01**
(52) **U.S. Cl.**
USPC **D7/392.1**
(58) **Field of Classification Search**
USPC D7/391, 392, 392.1, 396.1, 396.2, 509,
D7/510, 511, 514, 518; D9/435, 436,
D9/440, 447, 451, 516, 530, 738
CPC B65D 47/127
See application file for complete search history.

“Silver Bufalo 20 oz Stainless Steel Tumbler”. Found online Jun. 13, 2018 at amazon.com. Page dated Dec. 22, 2016. Retrieved from https://www.amazon.com/Silver-Buffalo-Stainless-Steel-Tumbler/dp/B01MT1T7WG.*

(Continued)

Primary Examiner — George D. Kirschbaum
Assistant Examiner — Kendra Leslie Hamilton
(74) *Attorney, Agent, or Firm* — Ostrager Chong Flaherty & Broitman PC

(56) **References Cited**

(57) **CLAIM**

We claim the ornamental design for a tumbler lid, as shown and described.

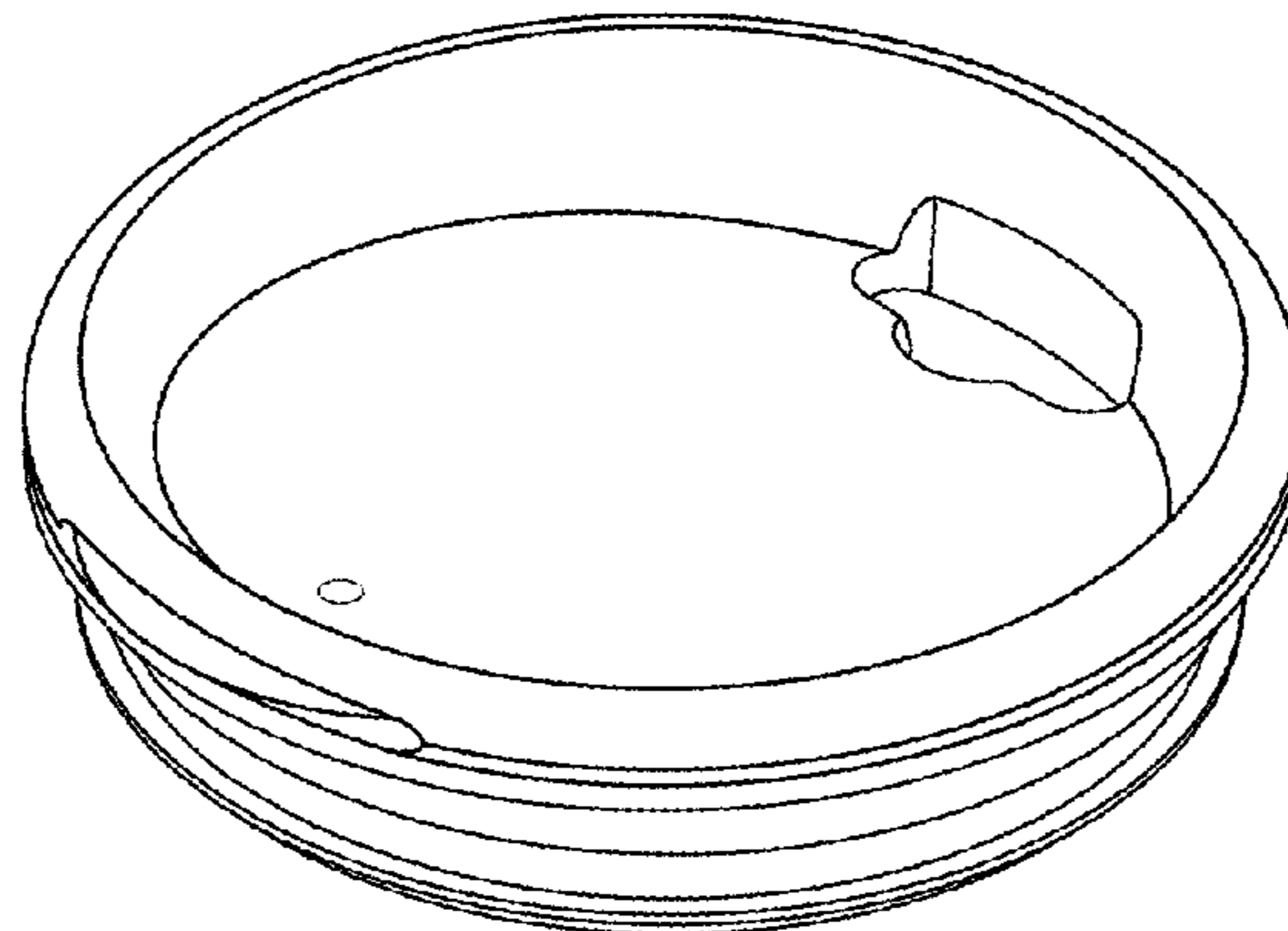
U.S. PATENT DOCUMENTS

DESCRIPTION

D287,919 S * 1/1987 Clements D9/454
5,427,269 A 6/1995 Willbrandt
5,433,337 A 7/1995 Willbrandt
5,449,089 A 9/1995 Turner
5,769,266 A 6/1998 Willbrandt
5,860,557 A 6/1999 Willbrandt
D415,651 S * 10/1999 Trombly D7/396.2
D438,757 S 3/2001 Joergensen
D439,473 S 3/2001 Lin
6,216,909 B1 4/2001 Lin
D441,288 S * 5/2001 Pillers D9/434
D450,583 S * 11/2001 Freed D7/392.1
D469,658 S 2/2003 Norris
D476,193 S 6/2003 Janky

FIG. 1 is a top, front and right side perspective view of a tumbler lid;
FIG. 2 is a top view thereof;
FIG. 3 is a front side view thereof;
FIG. 4 is a left side view thereof;
FIG. 5 is a rear side view thereof;
FIG. 6 is a bottom view thereof; and,
FIG. 7 is a sectional view thereof taken along the line 7-7 in FIG. 2.

1 Claim, 2 Drawing Sheets



(56)

References Cited

U.S. PATENT DOCUMENTS

D545,624	S	7/2007	Tien	
D547,610	S	7/2007	Edelstein	
D548,012	S	8/2007	Tien	
D560,435	S	1/2008	Meehan	
D565,901	S	4/2008	Edelstein	
D570,213	S	6/2008	Newman	
D600,073	S	9/2009	Carreno	
D631,284	S *	1/2011	Fuller	D7/392.1
D648,599	S	11/2011	Watanabe et al.	
D686,454	S	7/2013	Roth	
D690,988	S *	10/2013	Audette	D7/392.1
D696,586	S	12/2013	Huang	
D698,200	S	1/2014	Lauwagie	
D745,324	S	12/2015	Malaspino	
9,387,961	B2 *	7/2016	Mithal	B65D 43/0212
D766,029	S	9/2016	Lin	
D791,543	S *	7/2017	Mulhauser	D7/523
D795,007	S *	8/2017	Plassmeyer	D7/392.1
2007/0114236	A1	5/2007	Shiffer et al.	
2007/0240580	A1 *	10/2007	Lusareta	B65D 47/06 99/279
2008/0011762	A1 *	1/2008	Boone	B65D 43/0212 220/713
2012/0152968	A1 *	6/2012	Bailey	B65D 43/0212 220/713
2013/0213978	A1	8/2013	Libourel	

OTHER PUBLICATIONS

“Yeti Coolers Stainless Steel Rambler Lowball”. Found online Jun. 13, 2018 at amazon.co.uk. Page dated Sep. 12, 2015. Retrieved from https://www.amazon.co.uk/Yeti-Coolers-Stainless-Rambler-Lowball/dp/B015A1227K/ref=sr_1_13?ie=UTF8&qid=1528926346&sr=8-13&keywords=yeti.*

“Ninja Single Serve Cup Set, 16-Ounce”. Found online Mar. 9, 2017 at amazon.com. Page dated Jul. 13, 2013. Retrieved from https://www.amazon.com/...UTF8&pd_rd_i=B0111W4XD8&pd_rd_r=4CQK27ABX6AHV038GMGF&pd_rd_w=jABEu&pd_rd_wg=zg0K2&psc=1&refRID=4CQK27ABX6AHV038GMGF.*

“Liquid Logic Pro32: Double Wall, Insulated Vacuum, Condensation Free Tumbler”. Found online Jun. 13, 2018 at amazon.com. Page dated Apr. 5, 2016. Retrieved from https://www.amazon.com/Pro32-Insulated-Condensation-Tumbler-Stainless/dp/B01DUBM6C0/ref=lp_2595554011_1_7?srs=2595554011&ie=UTF8&qid=1528925575&sr=8-7.*

Yeti 30 oz. Rambler Tumbler Cup, printed from www.dickssportinggoods.com on Apr. 13, 2016.

22 oz. Translucent Water Bottles, printed from www.promosmall.com on Sep. 24, 2015.

32 oz. Coca-Cola(R) Cup with Disposable Lid, printed from www.anything4restaurants.com/product/32-oz-coca-cola-cup-with-disposable-lid-235683.html on Sep. 24, 2015.

32 oz. Water Bottle Has Bubble Texture at Base, easy to grip and fits in cup holder, printed from www.promosmall.com/wholesale/ on Sep. 24, 2015.

Dart 32AJ20E 32-Ounce Flush Fill Capacity 7.1 Inch Height Impulse Stock Printed Pedestal Faom Cup 25-Pack, printed from www.amazon.com/Dart-32AJ20E-32-Ounce-Capacity-Pedestal/dp/B004NG8AMW on Sep. 24, 2015.

Solo PRG32W-JD477 Reveal Polypropylene Plastic Cold Cup, 32 oz Capacity, Drink/Icy/Chill, printed from www.amazon.com/Solo-PRG32W-JD477-Polypropylene-Plastic-Capacity/dp/B00A0Q827M on Sep. 24, 2015.

Iconiq(R) Tumblers printed from <https://iconiqbottle.com/collections/stainless-steel-tumblers> on Apr. 13, 2015.

Boss 20 oz. Stainless Steel Travel Tumbler, printed from www.imprintitems.com/custom/101273162 on Jan. 16, 2016.

CafeCup Holder Friendly 16 oz. mug with double wall insulation, printed from www.promosmall.com/wholesale/ on Sep. 24, 2015.

Car Stainless Steel Insulated 16 oz. travel mug, fits most car cup holders, printed from www.promosmall.com/wholesale/ on Sep. 24, 2015.

32 oz. Smooth Plastic Cups, printed from www.minithrowballs.com/smooth-plastic-cups-p-253.html on Sep. 24, 2015.

Dart Solo clear plastic cup, printed from www.gotowebstore.com/30132AC on Sep. 24, 2015.

Drink Cups, Airlite Plastics—Since 1946, printed from www.airliteplastics.com/products/drink-cups/ on Sep. 24, 2015.

Gran Touring—Easy grip handle mug, fits most cup holders printed from www.promosmall.com/wholesale/ on Sep. 14, 2015.

Insulated Mug 32 oz Whirley Cup Stripes Double Wall Travel Truck Stop Refills printed from www.ebay.com/itm/Insulated-Mug-32-oz-Whirley-Cup-STRIPES-Double-Wall-Travel-Truck-Stop-Refills-/160996881401 on Sep. 24, 2015.

Klean Kanteen: Stainless Steel Vacuum Insulated Tumbler and Cup printed from www.kleankanteen.com/products/Insulated-steel-pint-cup-16-oz?varieant=860278955 on Jan. 16, 2016.

Magnum Steel 20 oz. Tumbler, printed from www.amazon.com/dp/B019UPELFA?psc=1 on Jan. 16, 2016.

Oakland Athletics Mugs, printed from www.kohls.com/shop/oakland-athletics-mug.jsp on Apr. 13, 2016.

Orca 27 oz. Chaser Hot or Cold Tumbler, printed from www.walmart.com on Mar. 14, 2016.

Stainless Steel Insulated Double Wall Travel Coffee Mug Cup with Car Charger, printed from www.ebay.com/itm/Stainless-Steel-Insulated-Double-Wall-Travel-Coffee-Mug-Cup-w-Car-Adapter-16-oz-/281361760530 on Sep. 24, 2015.

Commit to Get Fit Tumbler Cups, printed from www.yorhealth.com/products/accessories/Yor-commit-to-get-fit-cups.aspx?localetype=1033 on Sep. 24, 2015.

* cited by examiner

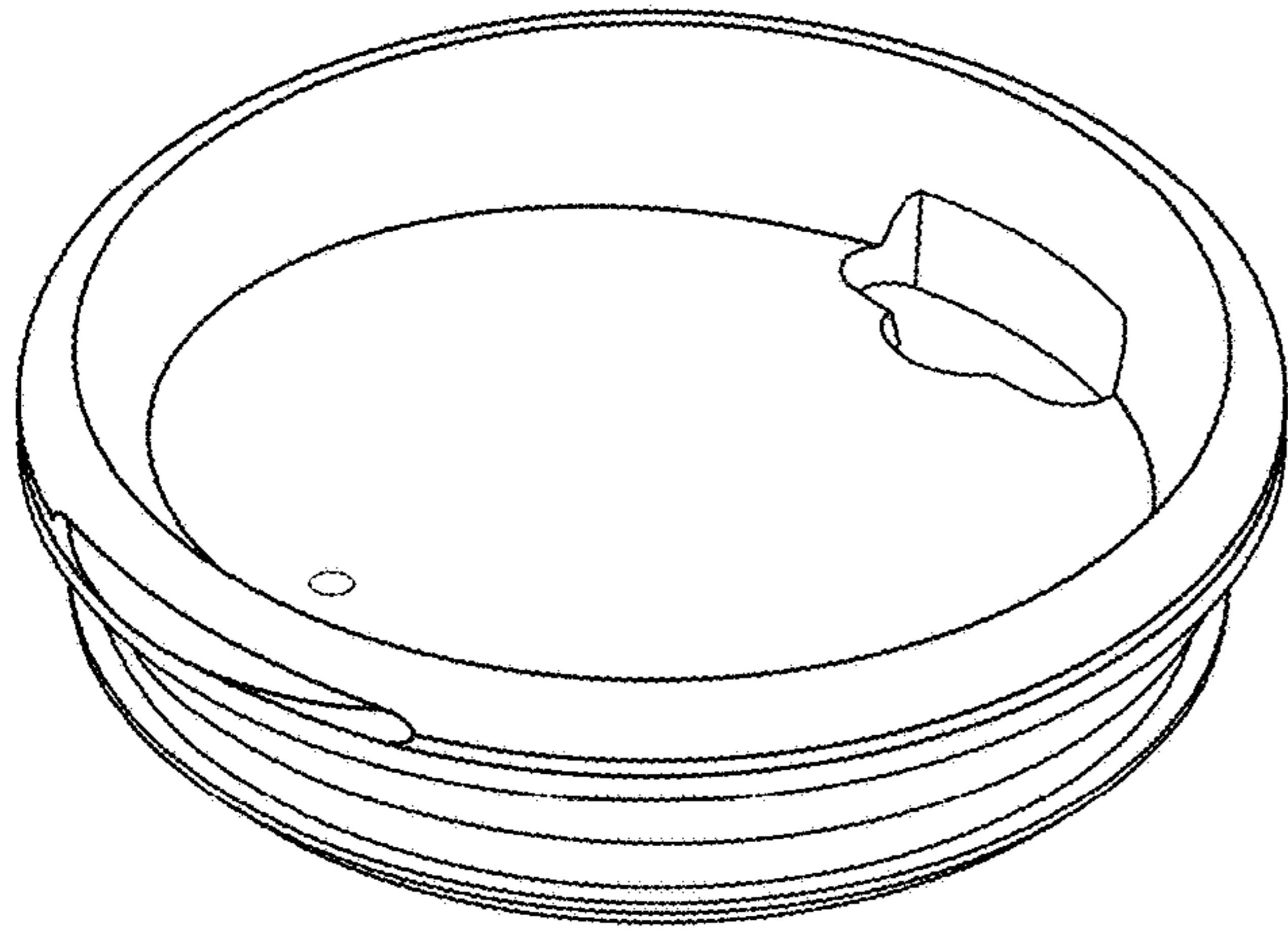


FIG. 1

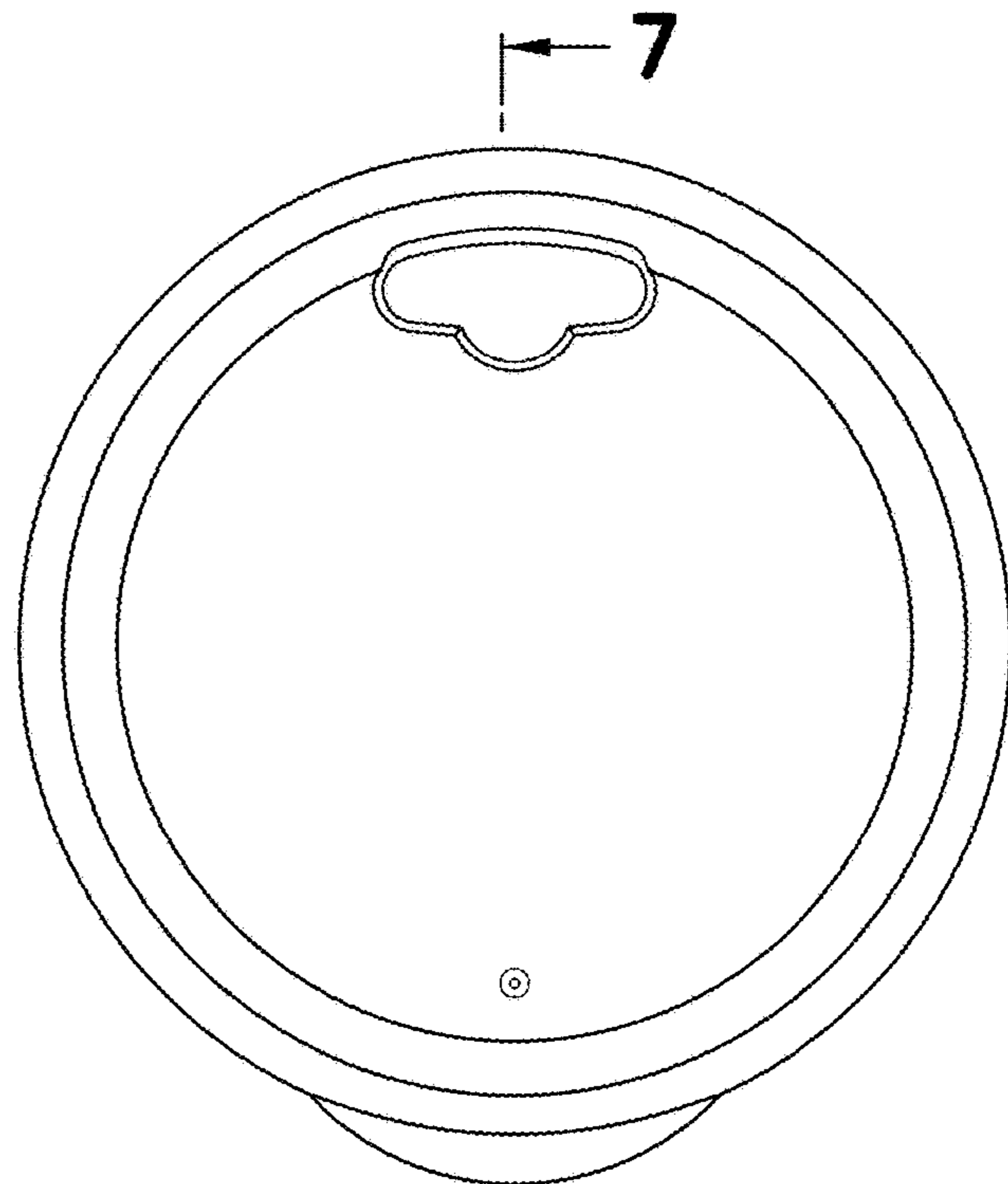


FIG. 2

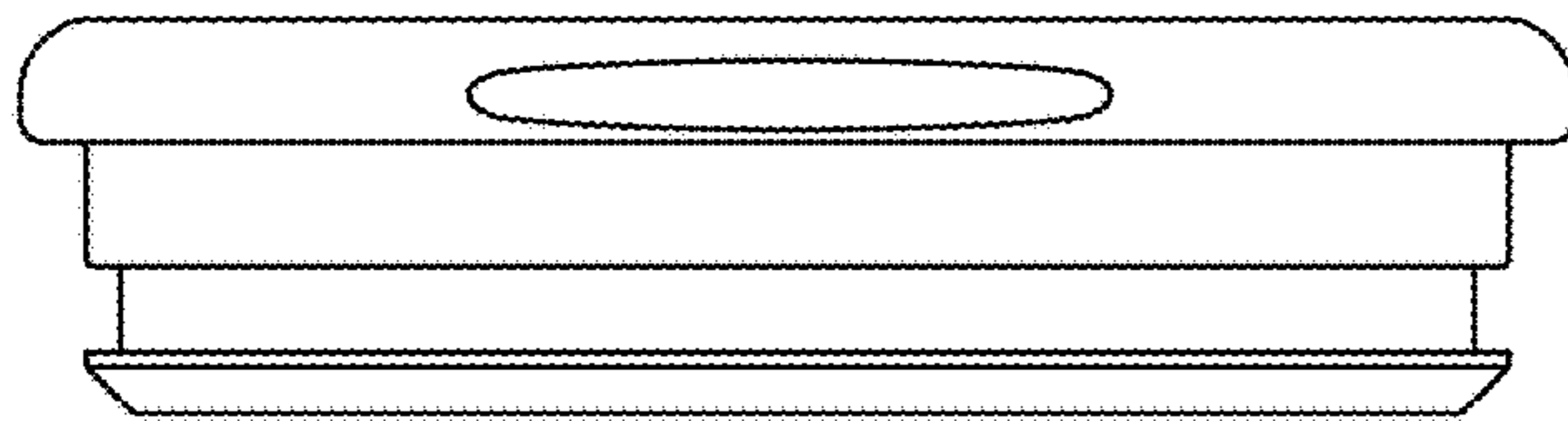


FIG. 3

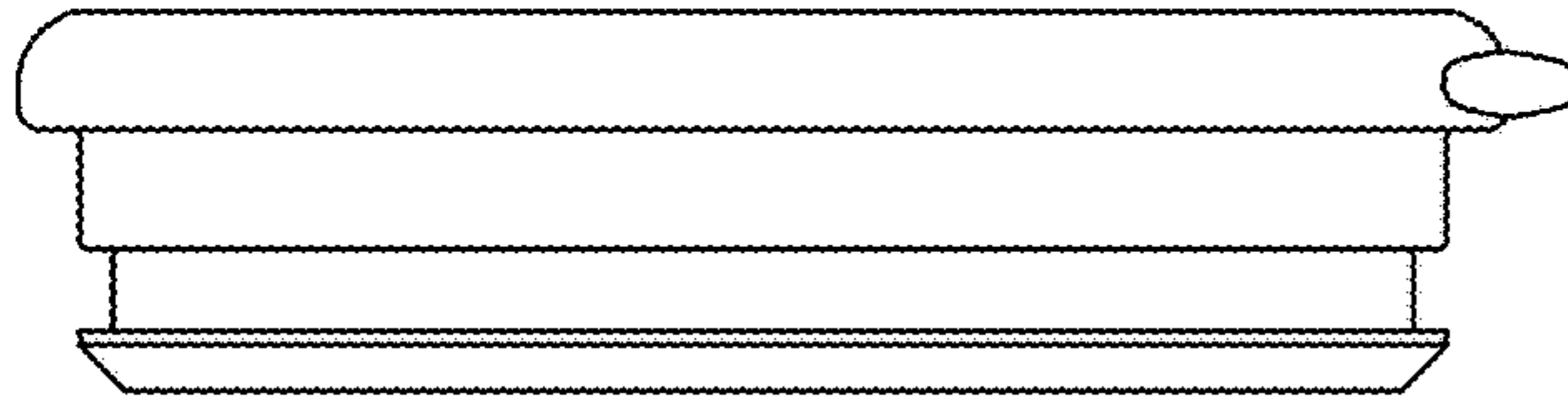


FIG. 4

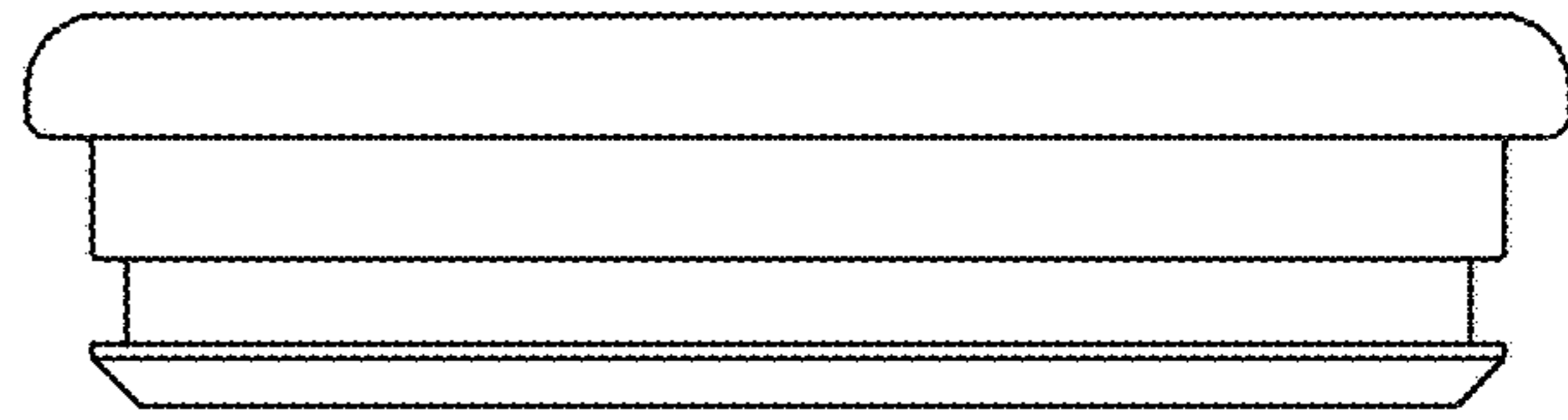


FIG. 5

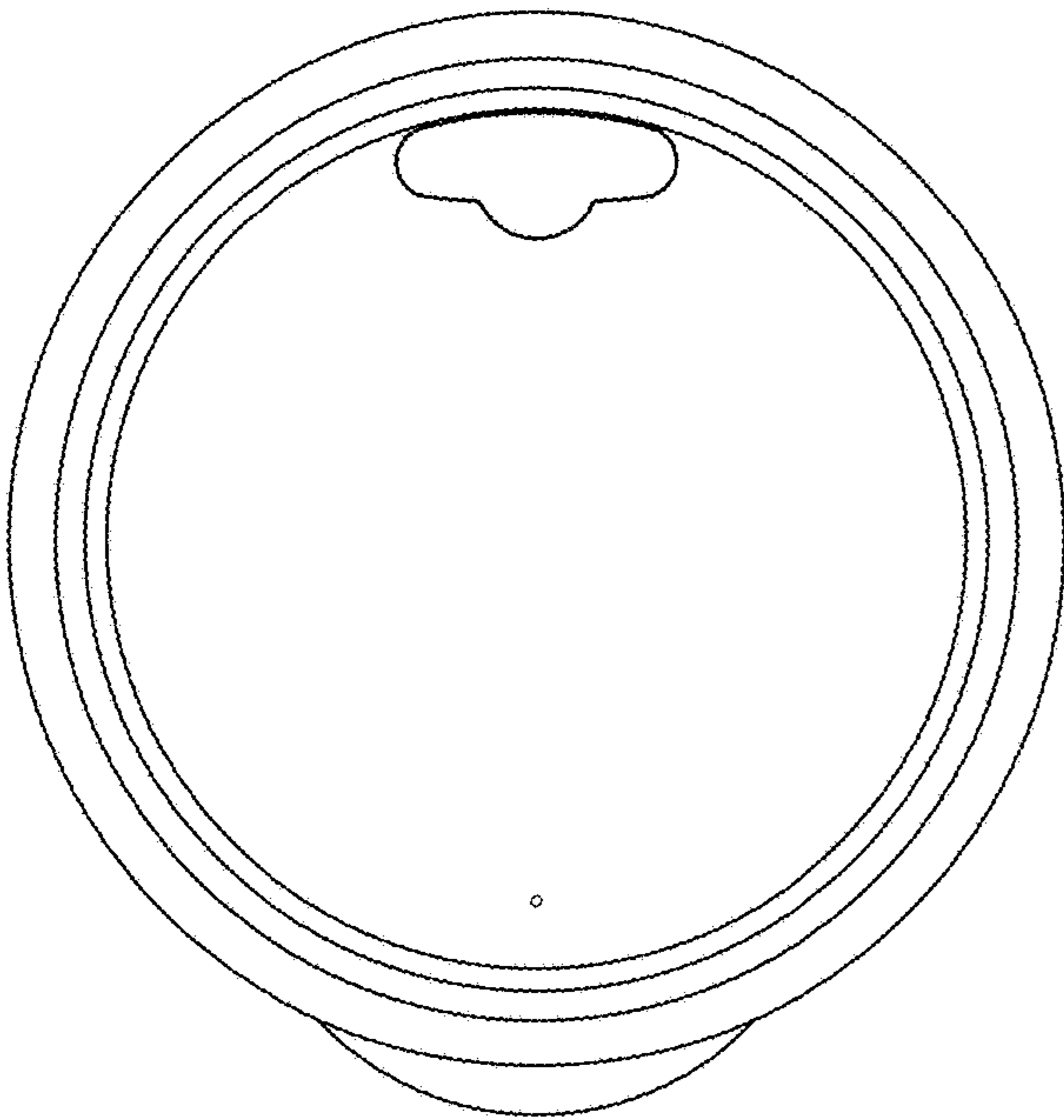


FIG. 6

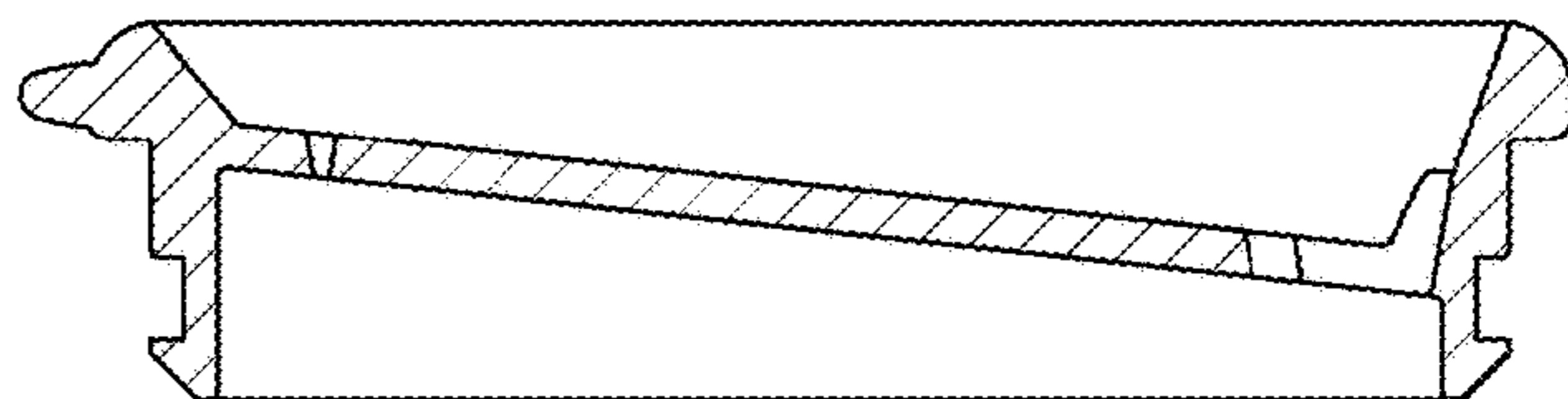


FIG. 7