

US00D845060S

(12) **United States Design Patent**  
**Joyner**

(10) **Patent No.:** **US D845,060 S**

(45) **Date of Patent:** **\*\* Apr. 9, 2019**

(54) **CHAFINGWARE SYSTEM**

(71) Applicant: **Shaja Joyner**, Bowie, MD (US)

(72) Inventor: **Shaja Joyner**, Bowie, MD (US)

(\*\*) Term: **15 Years**

(21) Appl. No.: **29/660,089**

(22) Filed: **Aug. 17, 2018**

(51) **LOC (11) Cl.** ..... **07-02**

(52) **U.S. Cl.**  
USPC ..... **D7/355**

(58) **Field of Classification Search**  
USPC ..... D7/323, 354–366, 391, 393–396, 409  
CPC ..... A47G 19/12; A47J 27/00; A47J 27/002;  
A47J 27/004; A47J 27/04; A47J 27/08;  
A47J 27/21; A47J 27/212; A47J 27/58;  
A47J 36/025; A47J 36/06; A47J 36/12;  
A47J 37/00; A47J 37/10; A47J 37/101;  
A47J 37/103; A47J 37/12; A47J 37/1204;  
A47J 45/061; A47J 45/071; A47J 45/08;  
H05B 6/12

See application file for complete search history.

(56) **References Cited**

**U.S. PATENT DOCUMENTS**

- D35,501 S \* 12/1901 Savage ..... A47J 27/212  
D7/366
- D38,924 S 12/1907 Wilkes
- D41,716 S 8/1911 Swan
- D45,601 S \* 4/1914 Mohrhenn ..... 248/146
- D88,156 S \* 11/1932 Knapp ..... A47J 27/004  
D7/360
- D150,157 S \* 7/1948 O’Connell ..... D7/366
- D169,166 S 3/1953 Village
- D181,298 S \* 10/1957 Lax ..... 126/246
- D225,169 S \* 11/1972 Terence ..... D7/366
- D229,733 S 1/1974 Press
- 4,873,921 A \* 10/1989 Piane, Sr. .... A47J 27/212  
99/422
- 4,996,410 A 2/1991 Ho

- D318,975 S \* 8/1991 Thurlow ..... D7/355
- D365,724 S 1/1996 Yu
- D369,507 S \* 5/1996 Tinius ..... D7/355
- D423,278 S \* 4/2000 Briner ..... D7/355
- D433,272 S \* 11/2000 Park ..... D7/355
- D434,268 S 11/2000 Yu
- D434,594 S 12/2000 Yu
- 6,526,875 B1 \* 3/2003 Dzbinski ..... A47J 27/04  
126/369

(Continued)

*Primary Examiner* — Ricky Pham

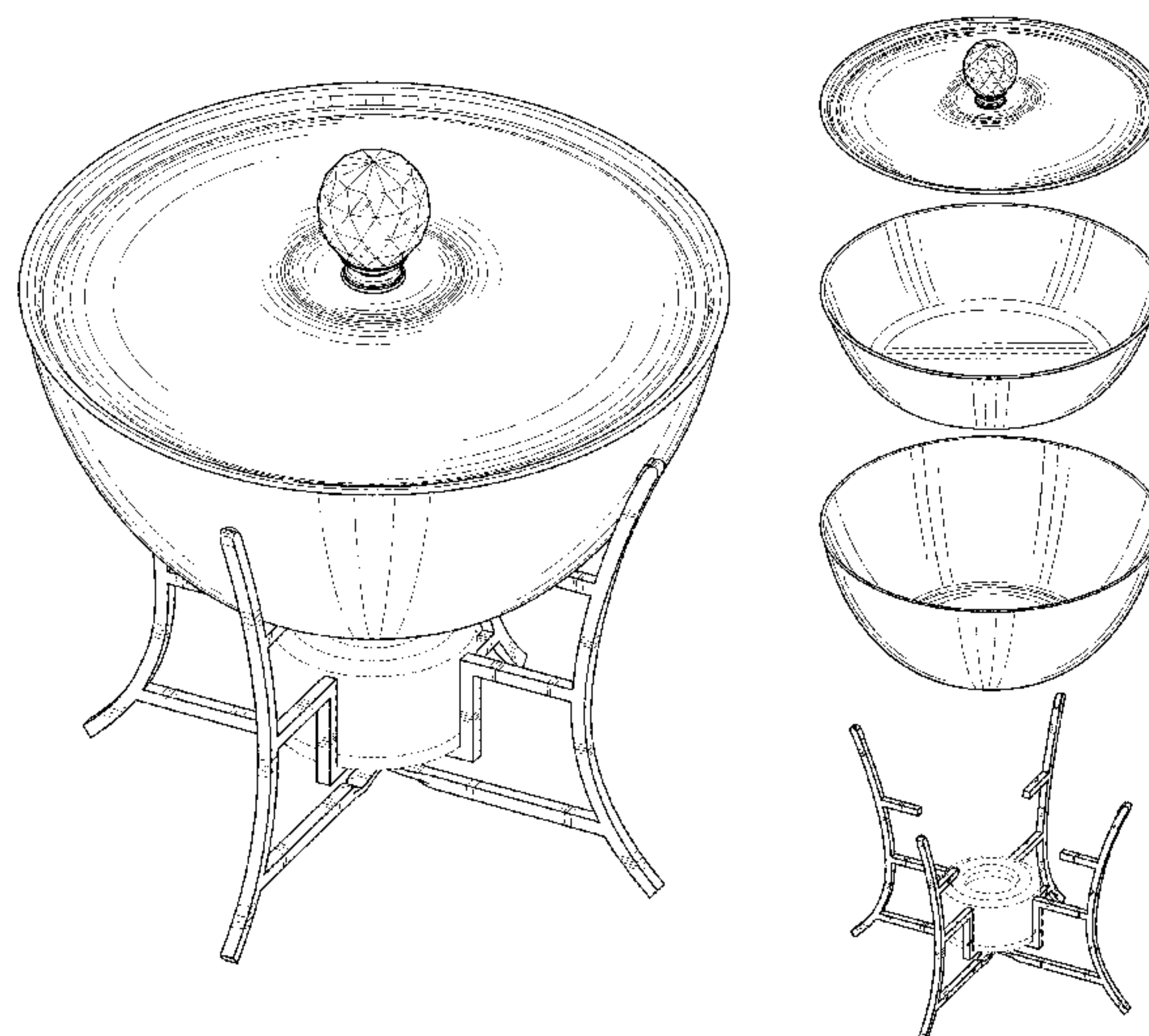
(57) **CLAIM**

The ornamental design for a chafingware system, as shown and described.

**DESCRIPTION**

FIG. 1 is a front, first side, and top perspective view of a chafingware system embodying the new design;  
 FIG. 2 is a front, second side, and bottom perspective view thereof;  
 FIG. 3 is a front view thereof;  
 FIG. 4 is a first side view thereof;  
 FIG. 5 is a back view thereof;  
 FIG. 6 is a second side view thereof;  
 FIG. 7 is a top view thereof;  
 FIG. 8 is a bottom view thereof;  
 FIG. 9 is an exploded perspective view of the design of FIG. 1, illustrating the cover, serving bowl, and warming bowl separated from the stand;  
 FIG. 10 is a front, first side, and top perspective view of the stand in an open position; and,  
 FIG. 11 is a front, first side, and top perspective view of the stand in a closed open position.  
 The broken line portions of the figure drawings are included to show unclaimed subject matter only for the purpose of illustrating environment and forms no part of the claimed design.

**1 Claim, 11 Drawing Sheets**



(56)

**References Cited**

U.S. PATENT DOCUMENTS

D645,297 S 9/2011 Saboe  
2009/0095169 A1\* 4/2009 York ..... A47J 27/004  
99/448  
2011/0303104 A1 12/2011 Han

\* cited by examiner

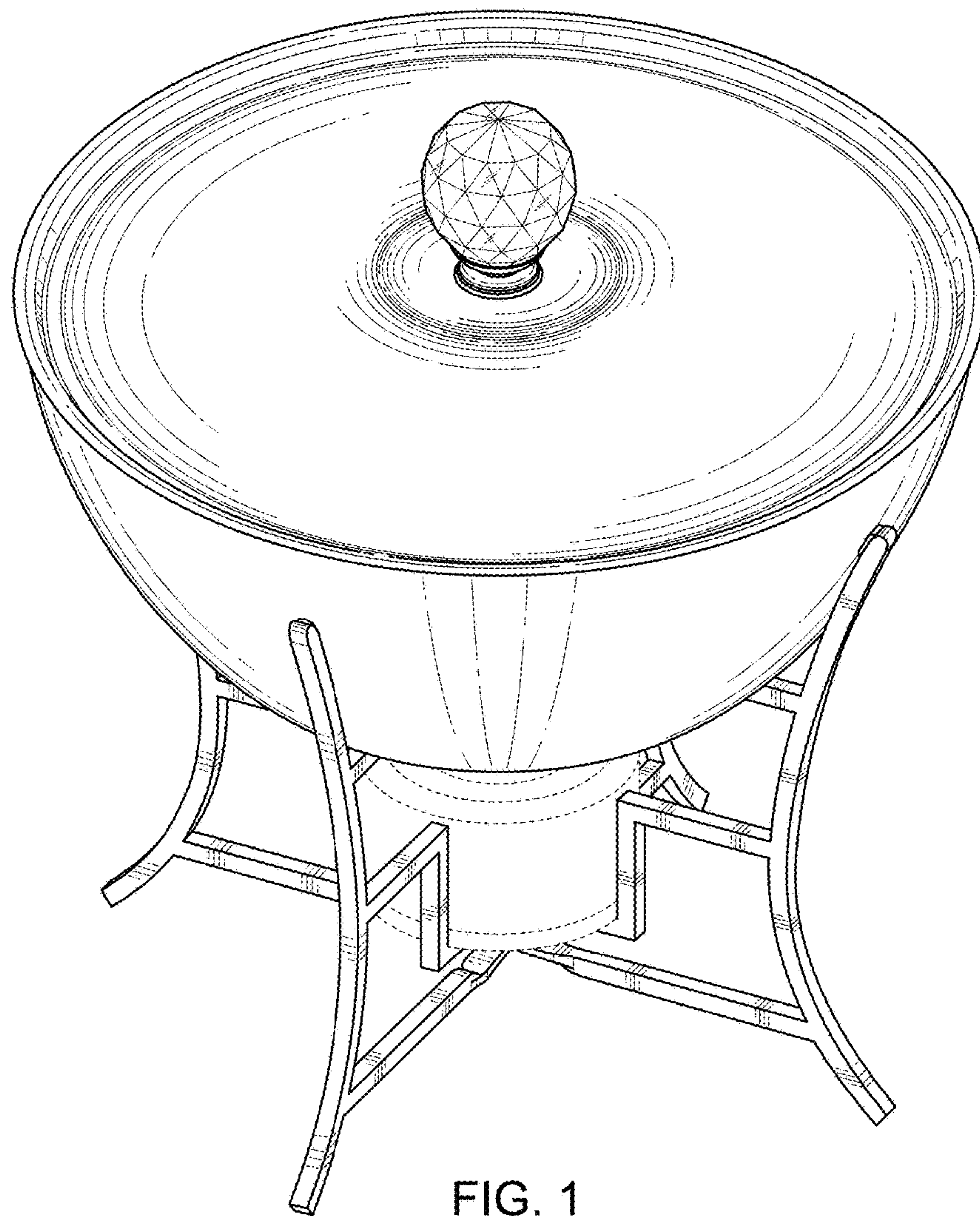


FIG. 1

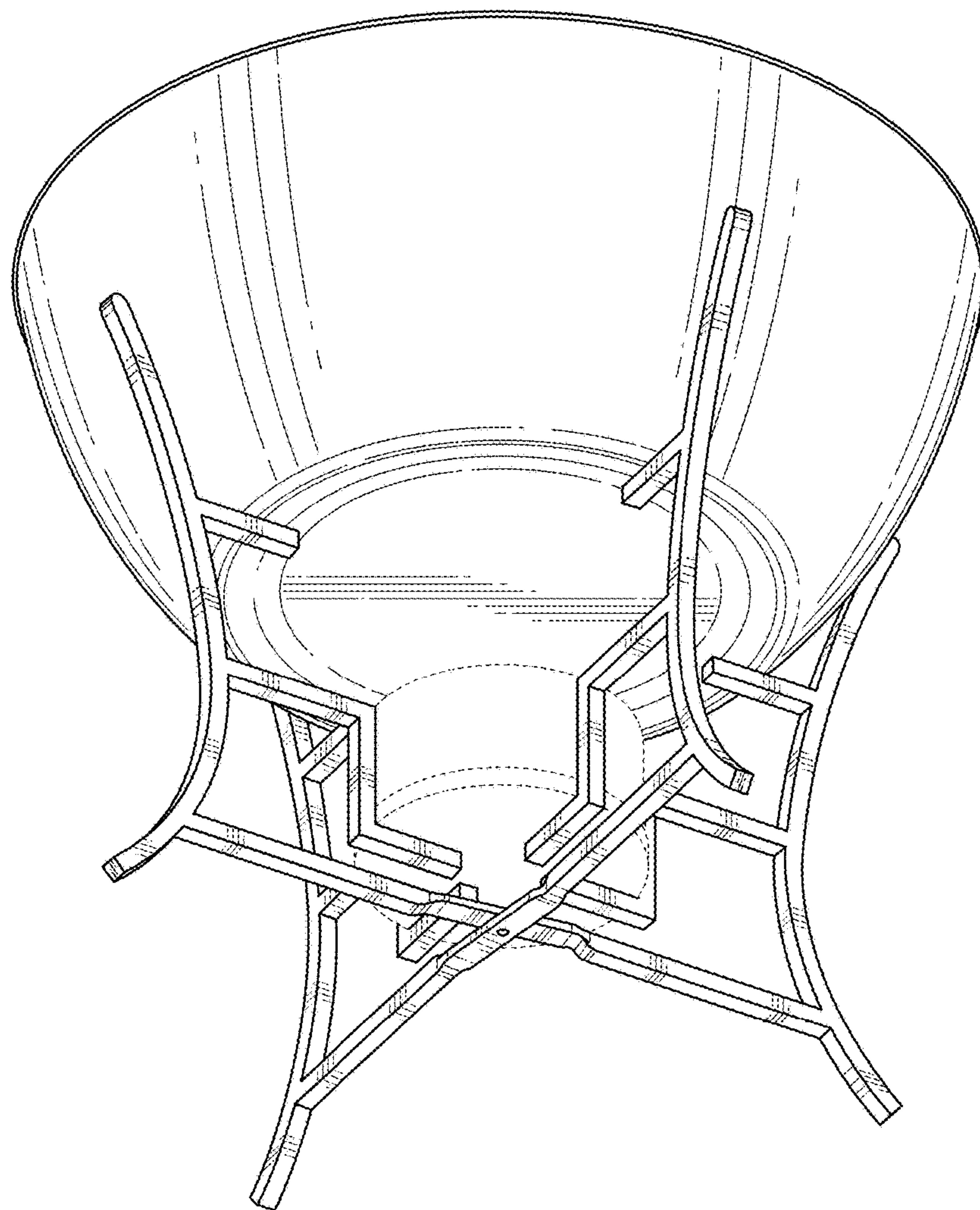


FIG. 2



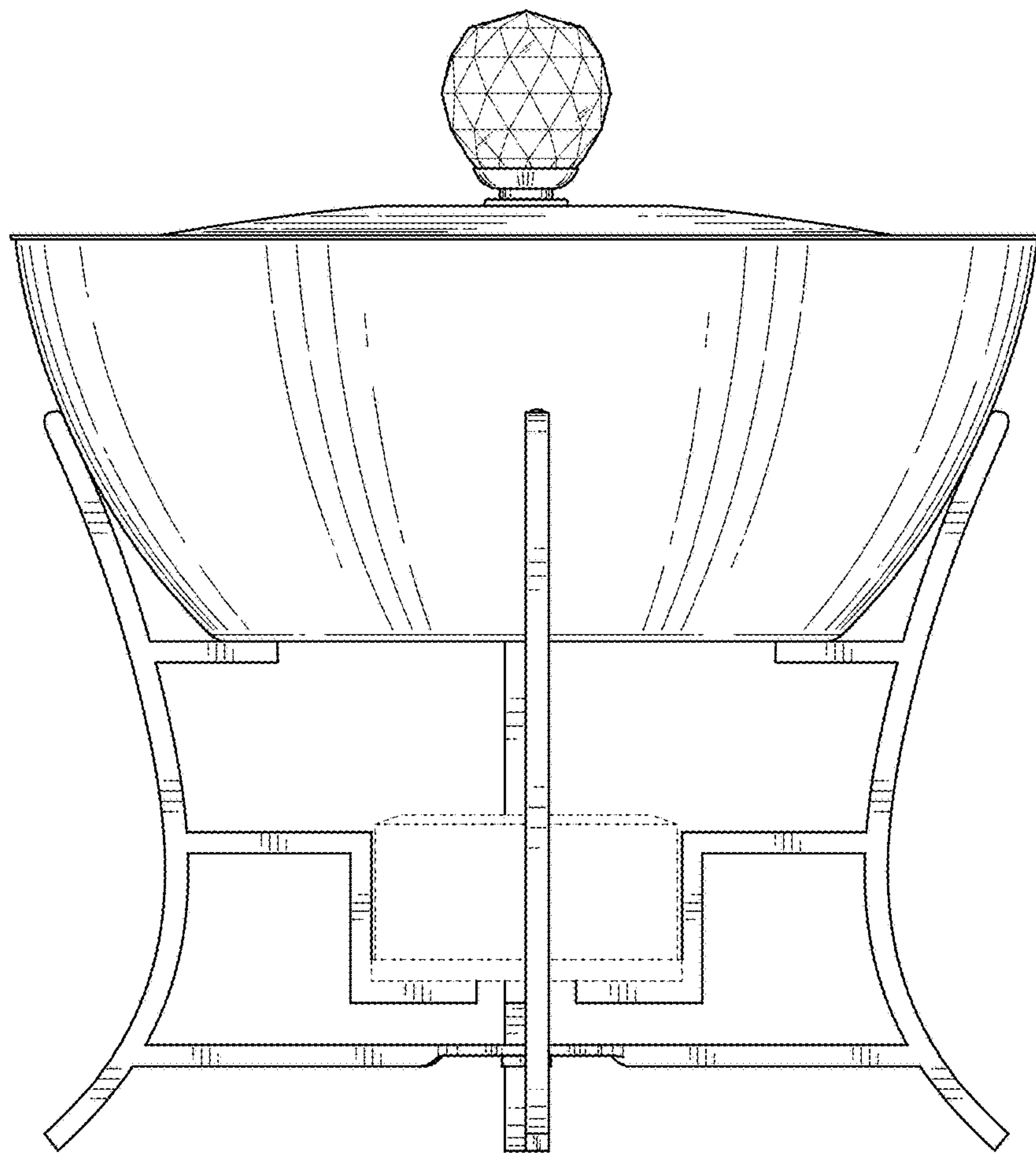


FIG. 3

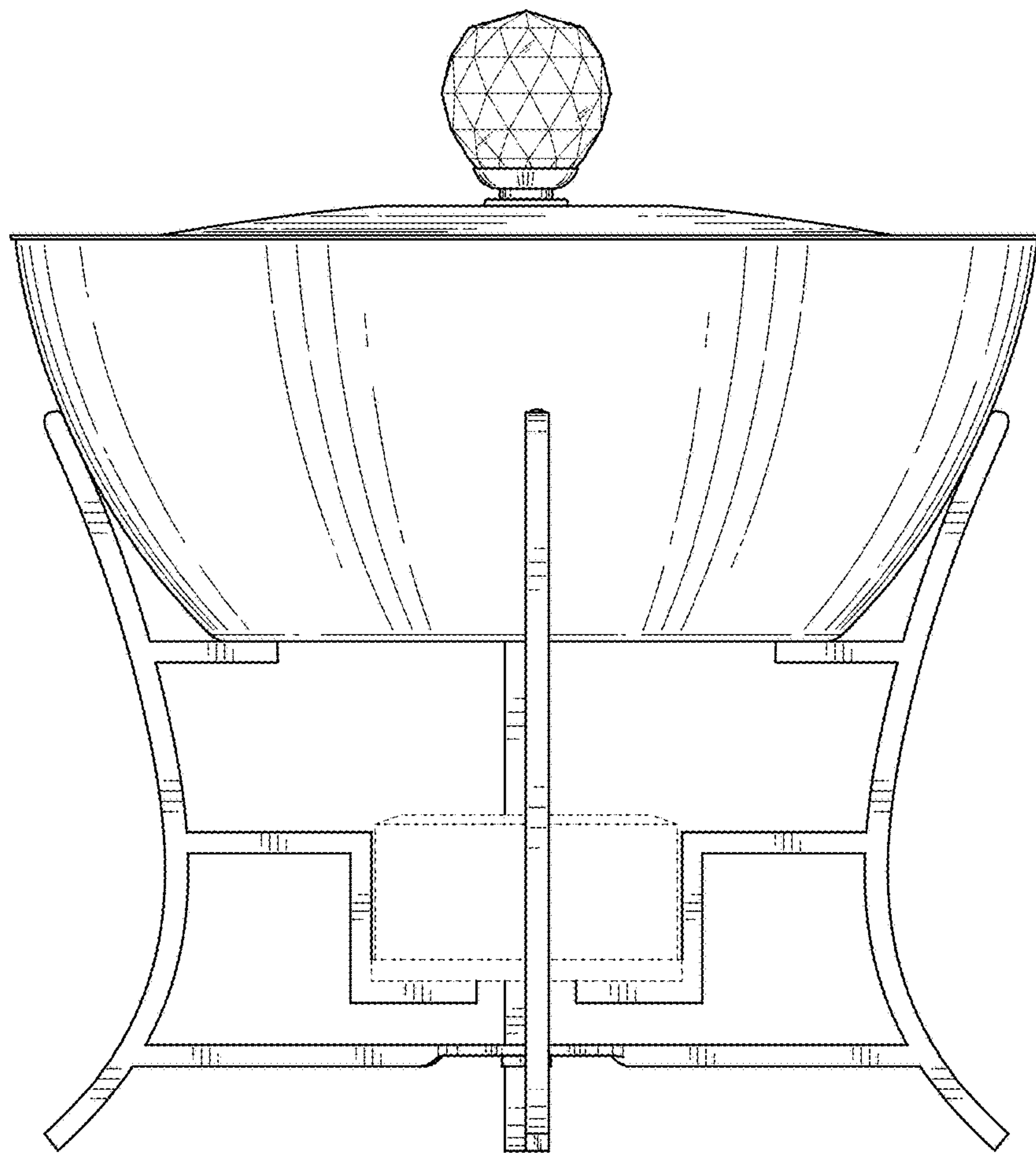


FIG. 4

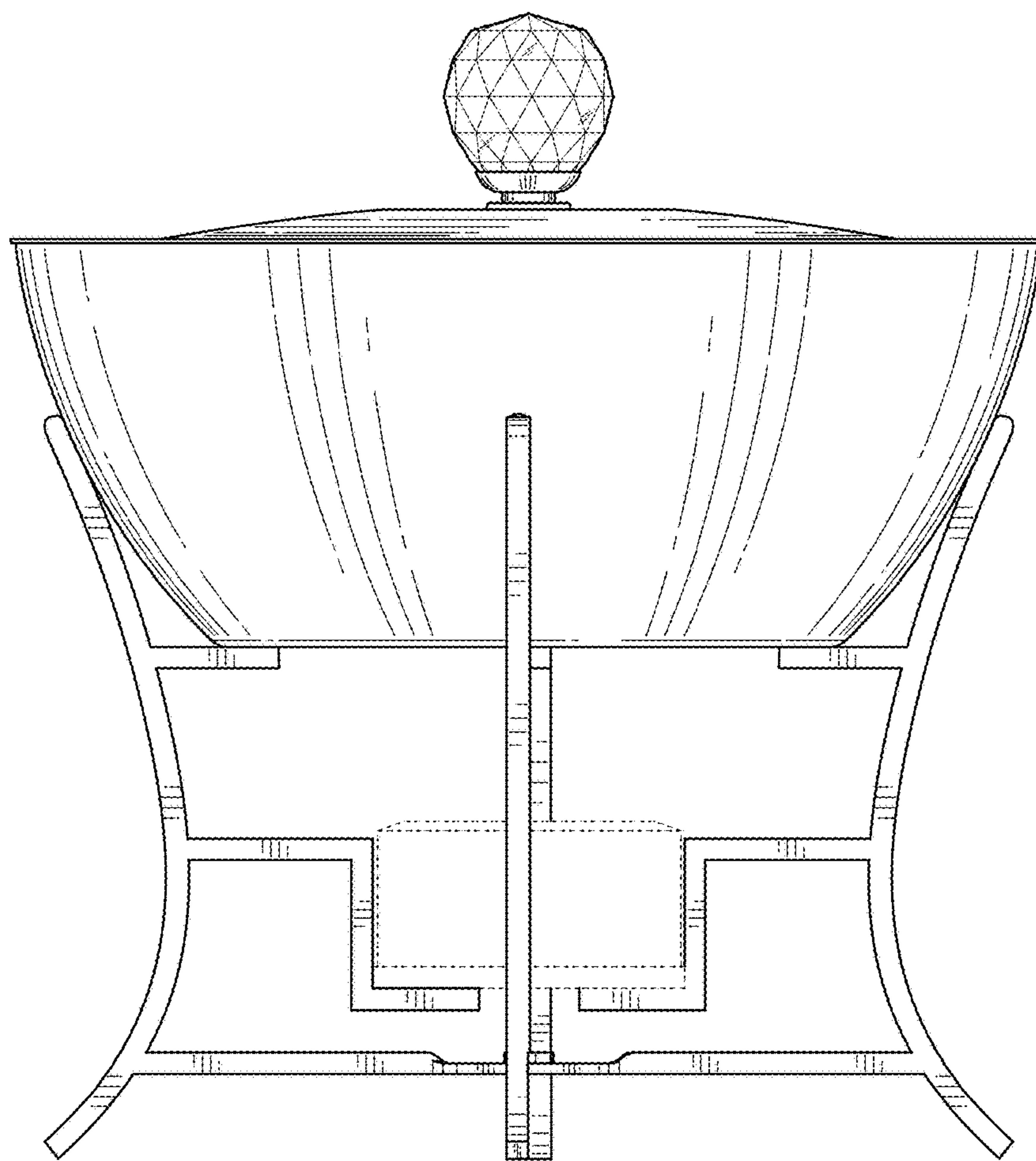


FIG. 5

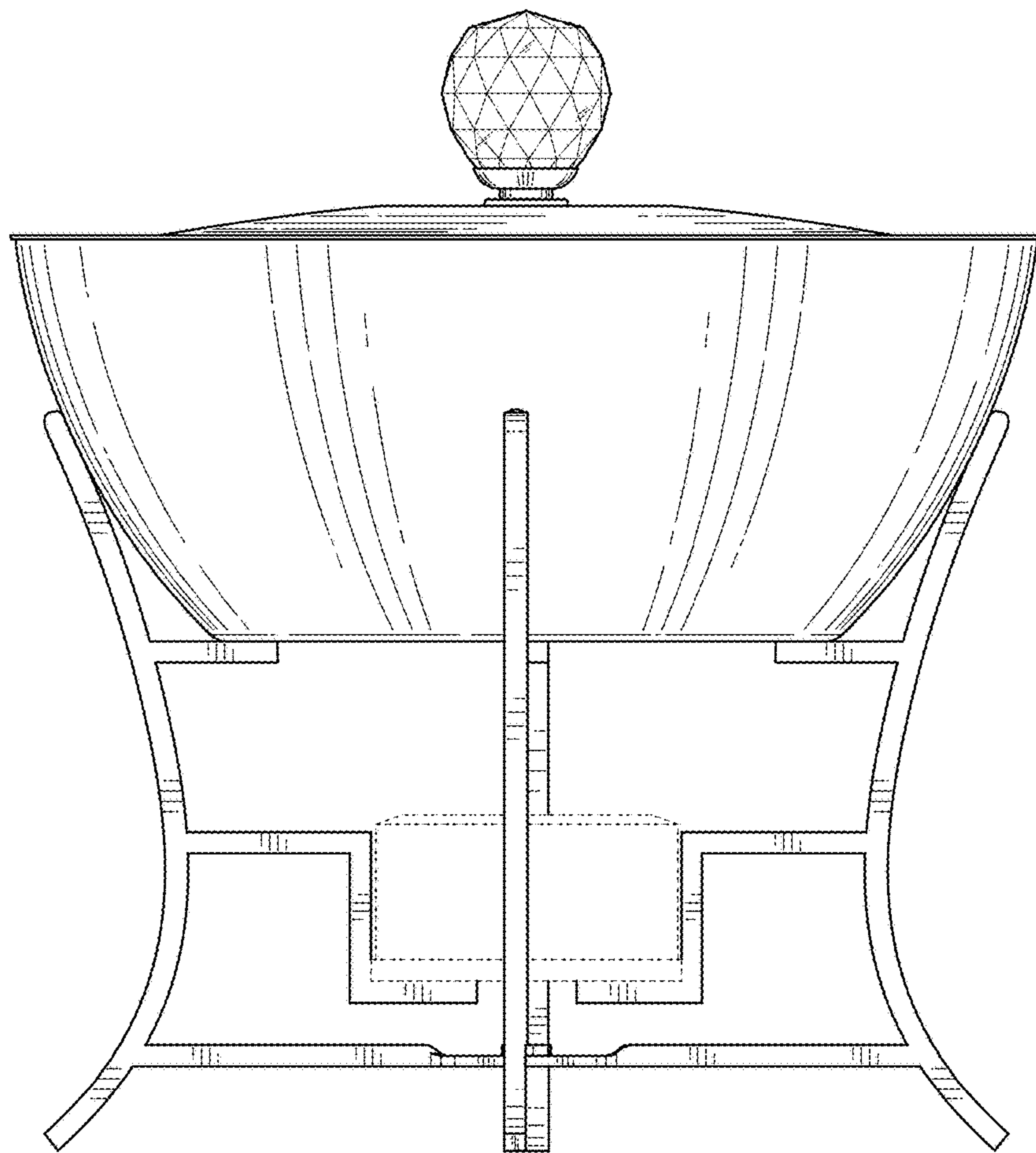


FIG. 6



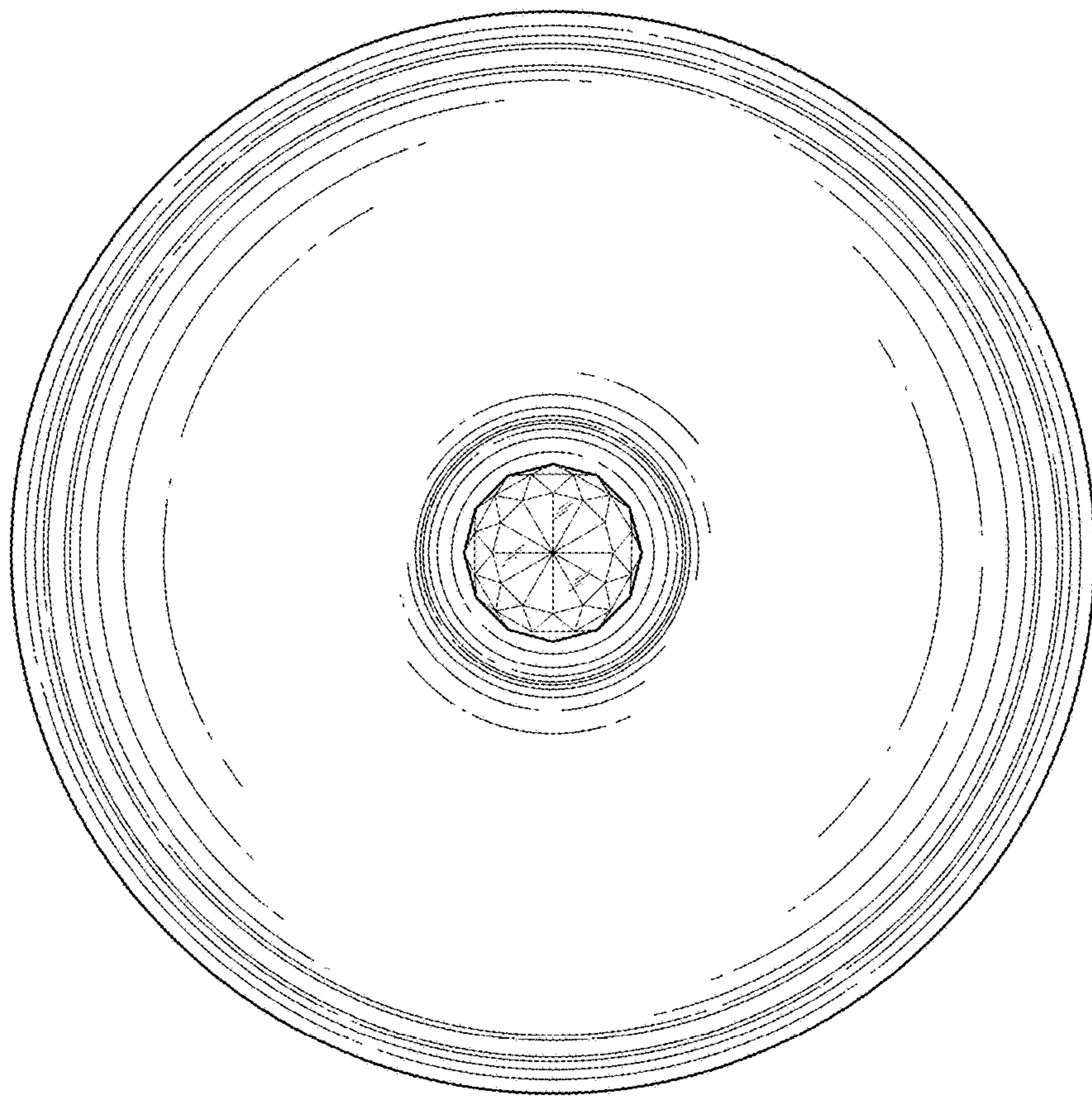


FIG. 7

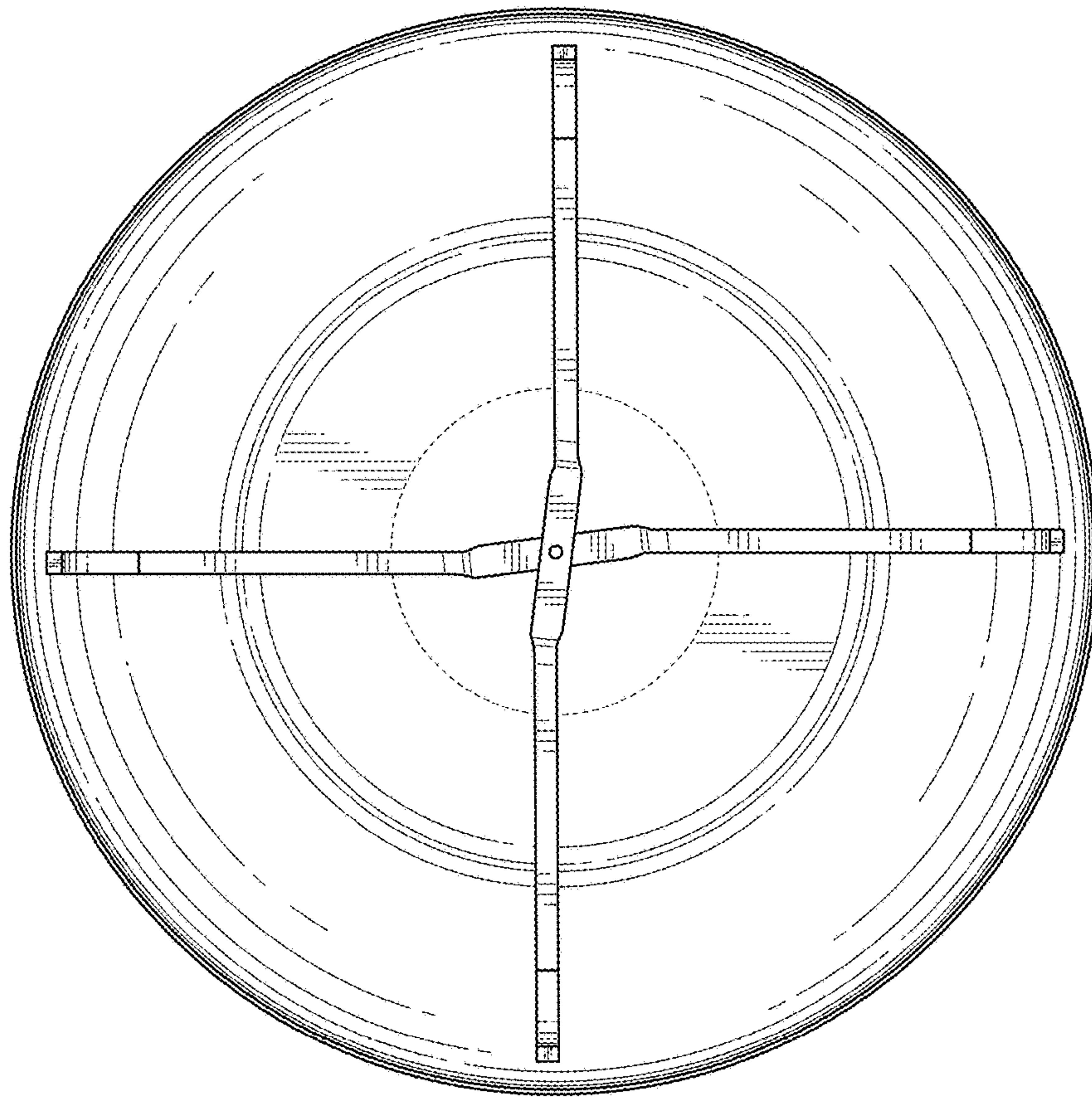
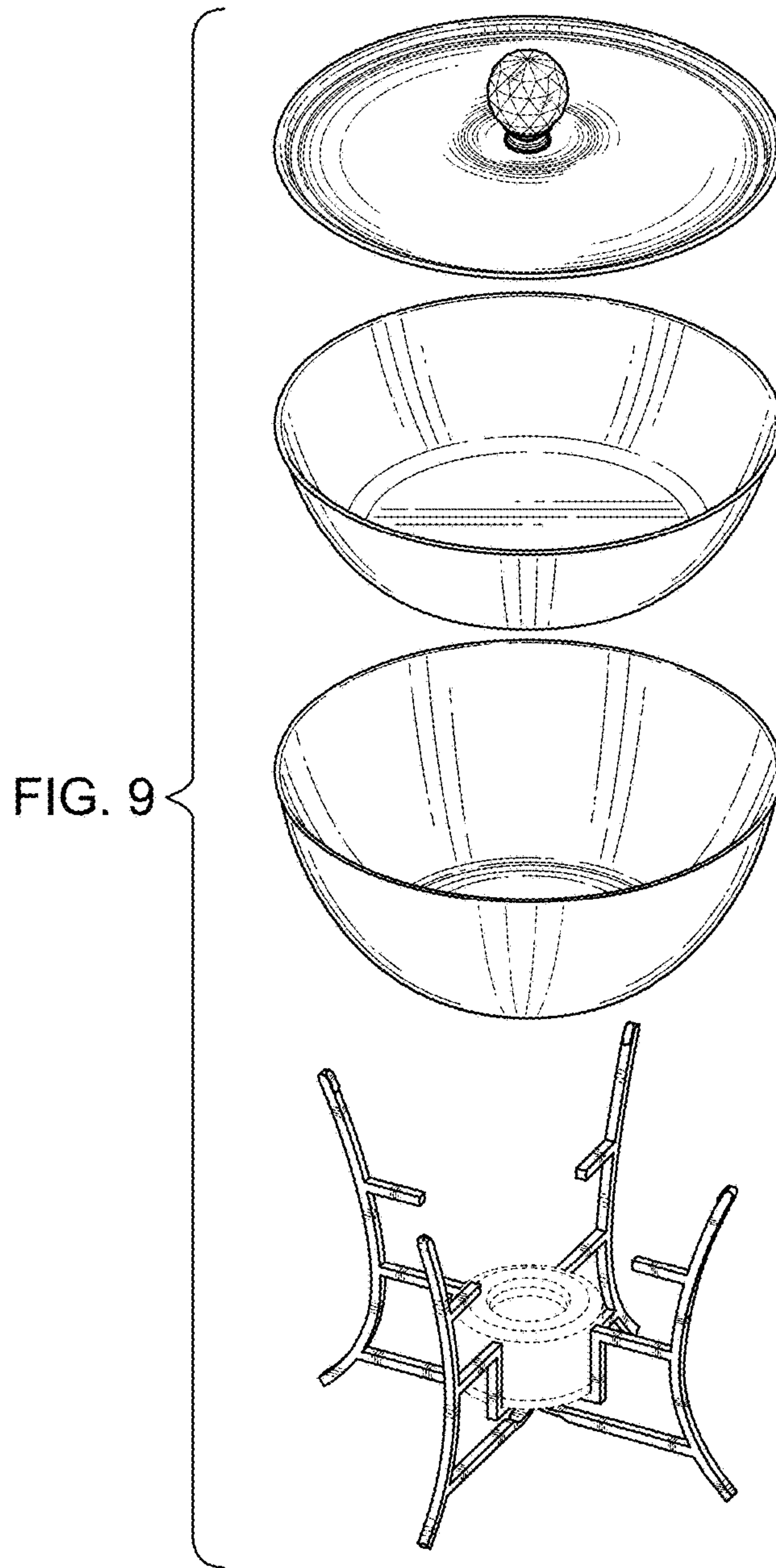


FIG. 8



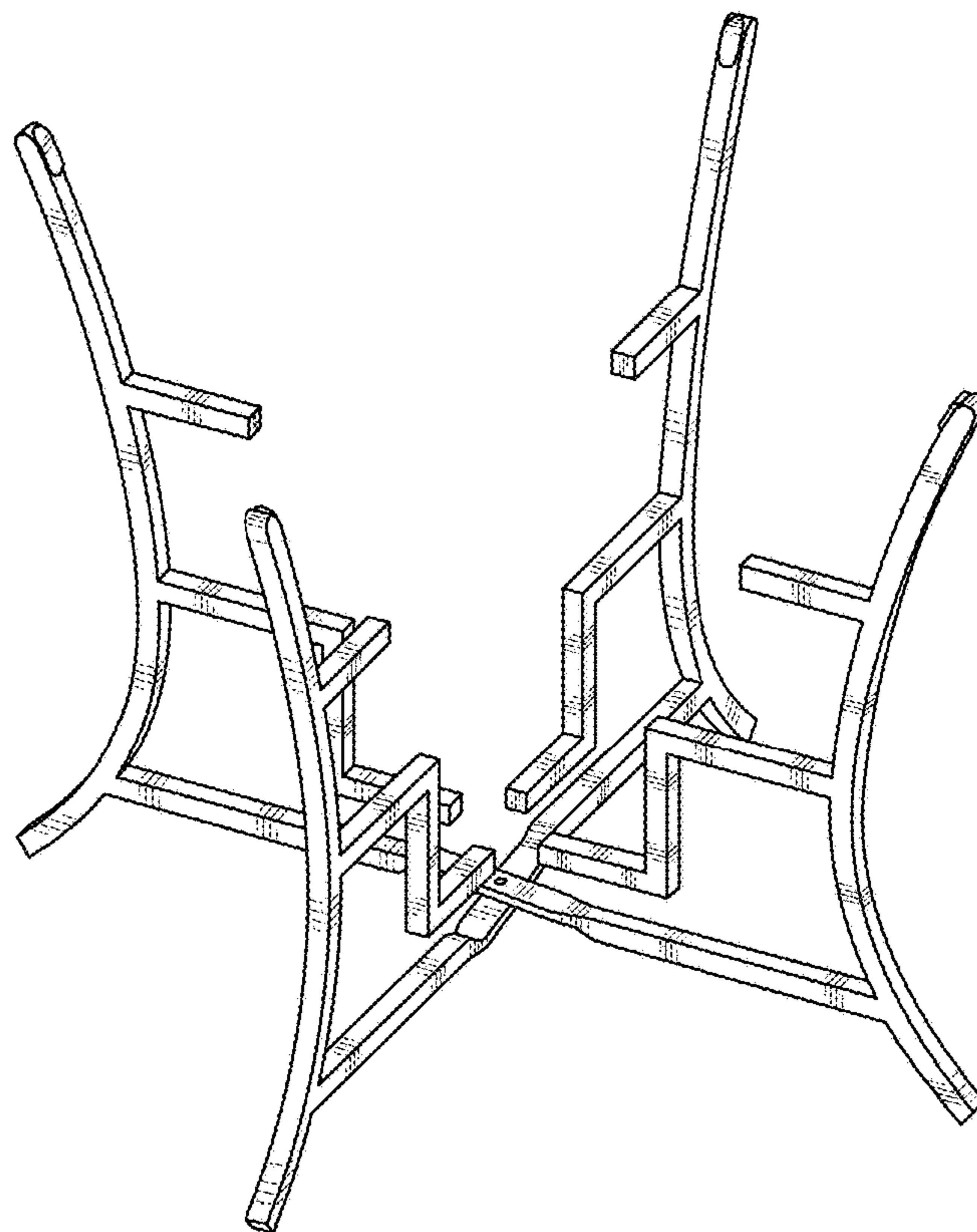


FIG. 10

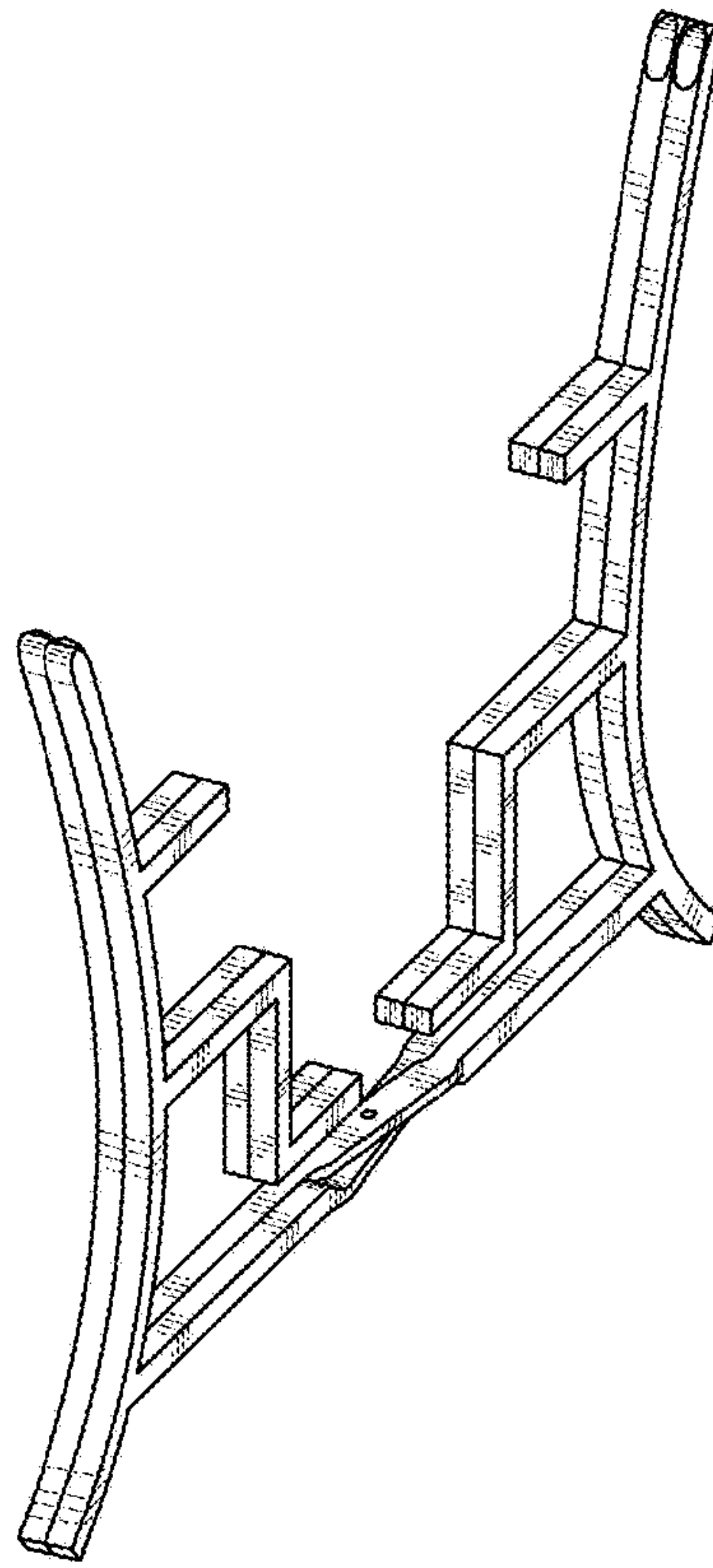


FIG. 11