



US00D845059S

(12) **United States Design Patent** (10) **Patent No.:** **US D845,059 S**
Nie (45) **Date of Patent:** **** Apr. 9, 2019**

(54) **BAKING MACHINE**
(71) Applicant: **Jiangmen City Xinhui Henglong Plastic Co., Ltd., Jiangmen (CN)**
(72) Inventor: **Huayao Nie, Guangdong Province (CN)**
(73) Assignee: **JIANGMEN CITY XINHUI HENGLONG PLASTIC CO., LTD., Jiangmen, Guangdong Province (CN)**

D689,729 S * 9/2013 Yan D7/352
D718,976 S * 12/2014 Miller D7/352
D760,532 S * 7/2016 Koszylko D7/352
D772,637 S * 11/2016 Barquin D7/337
D828,072 S * 9/2018 Hagstrom D7/337
2010/0116146 A1* 5/2010 Xie A47J 37/0611
99/357

(**) Term: **15 Years**
(21) Appl. No.: **29/607,199**
(22) Filed: **Jun. 12, 2017**

* cited by examiner
Primary Examiner — Brett Miller
(74) *Attorney, Agent, or Firm* — Dicke, Billig & Czaja, PLLC

(30) **Foreign Application Priority Data**
Jan. 23, 2017 (CN) 2017 3 0027853
(51) **LOC (11) Cl.** **07-02**
(52) **U.S. Cl.**
USPC **D7/352**
(58) **Field of Classification Search**
USPC D7/332–337, 352–353, 362–367,
D7/402–409, 348, 346, 410, 347
CPC A47J 37/07–37/0786; A47J 37/06; A47J
37/0611; A47J 37/0623–37/0641; A47J
37/067–37/0676
See application file for complete search history.

(57) **CLAIM**

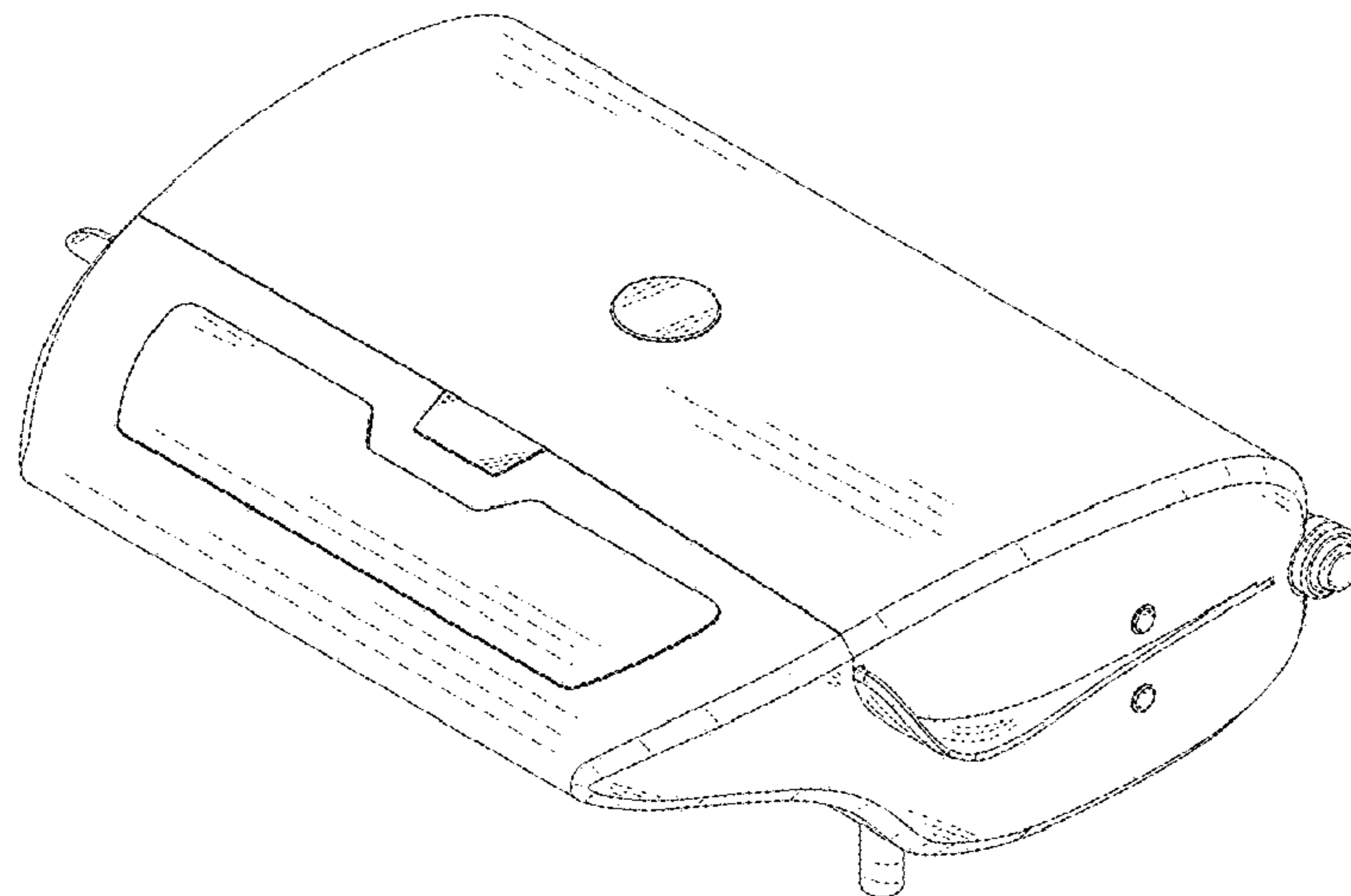
The ornamental design for a baking machine, as shown and described herein.

(56) **References Cited**
U.S. PATENT DOCUMENTS
D494,407 S * 8/2004 Lin D7/347
D650,224 S * 12/2011 Miller D7/337

DESCRIPTION

FIG. 1 is a perspective view of a baking machine in accordance with principles of the present disclosure;
FIG. 2 is a front view thereof;
FIG. 3 is a rear view thereof;
FIG. 4 is a left view thereof;
FIG. 5 is a right view thereof;
FIG. 6 is a top view thereof; and,
FIG. 7 is a bottom view thereof.
The broken lines depict portions of the baking machine that form no part of the claimed design.

1 Claim, 7 Drawing Sheets



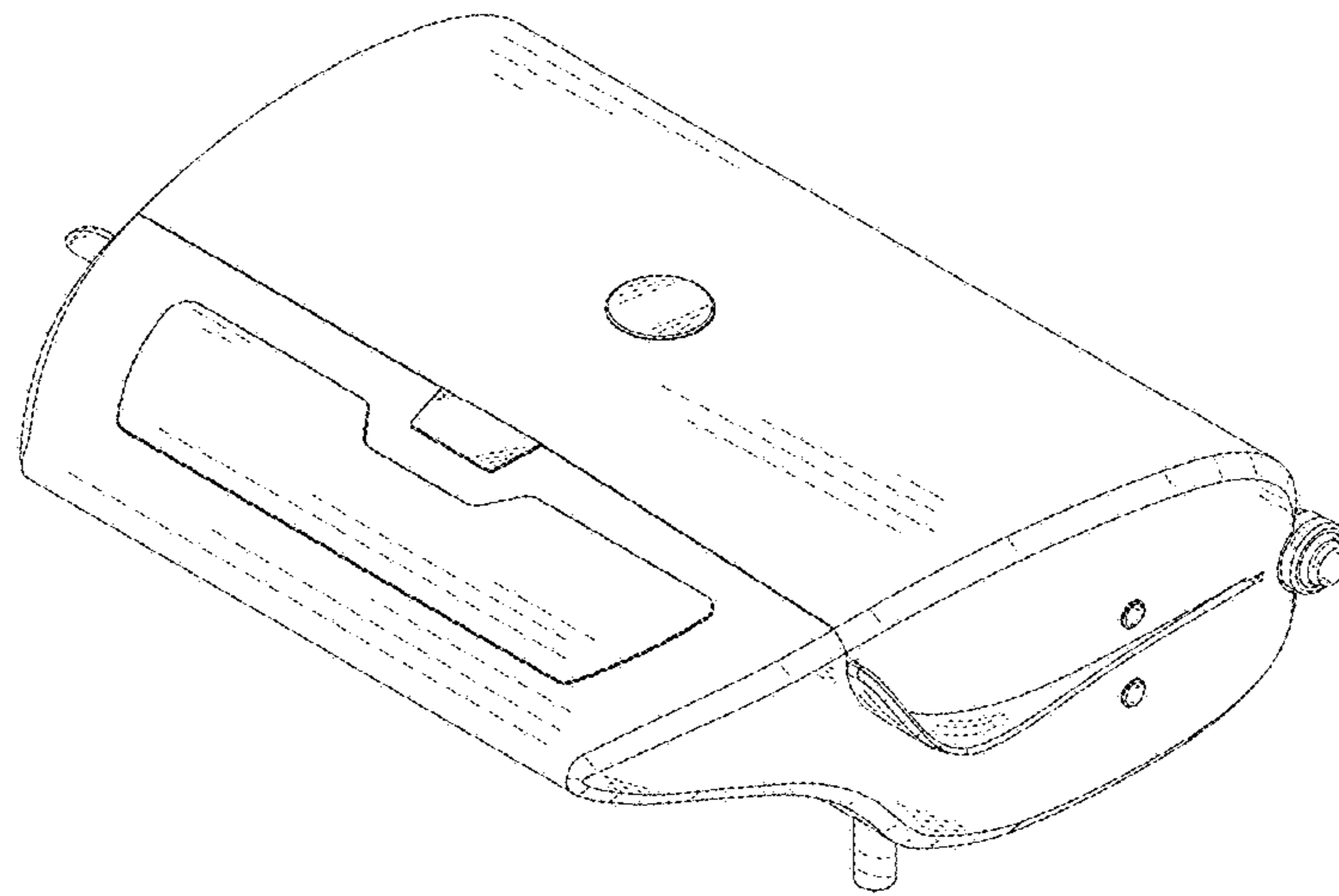


FIG. 1

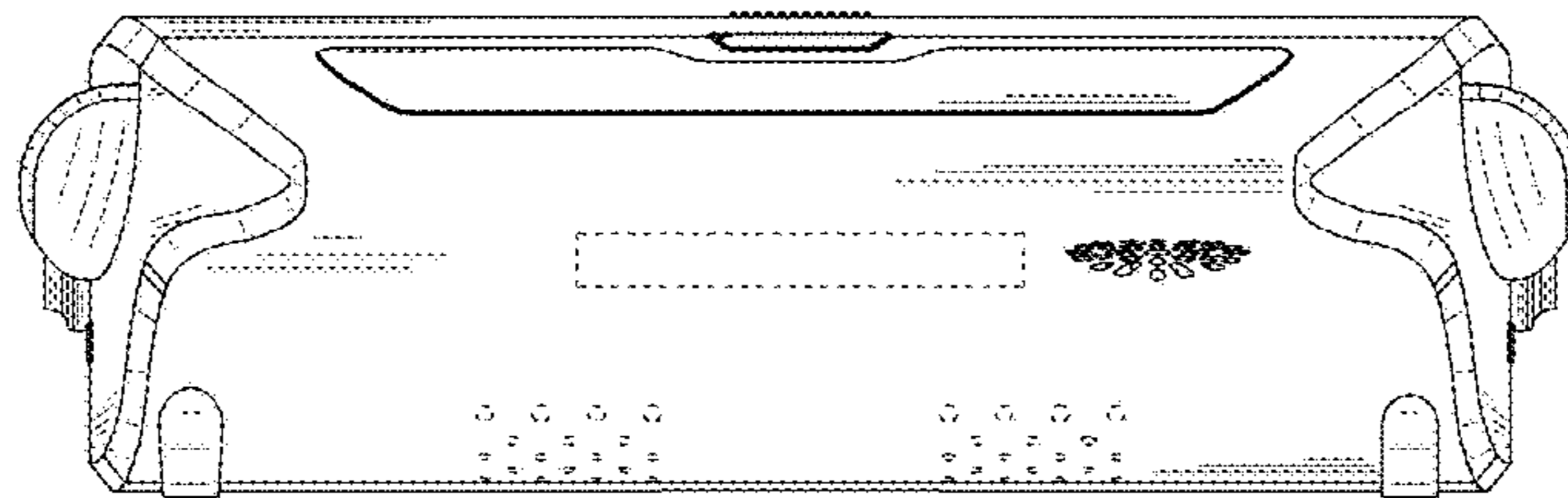


FIG.2

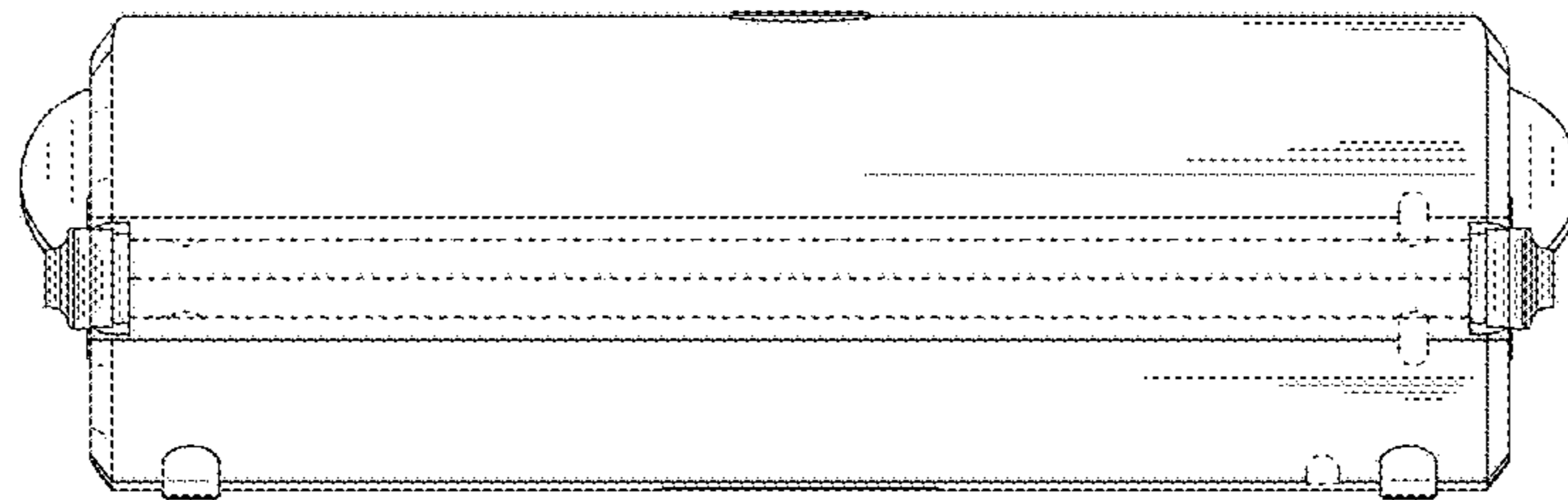


FIG.3

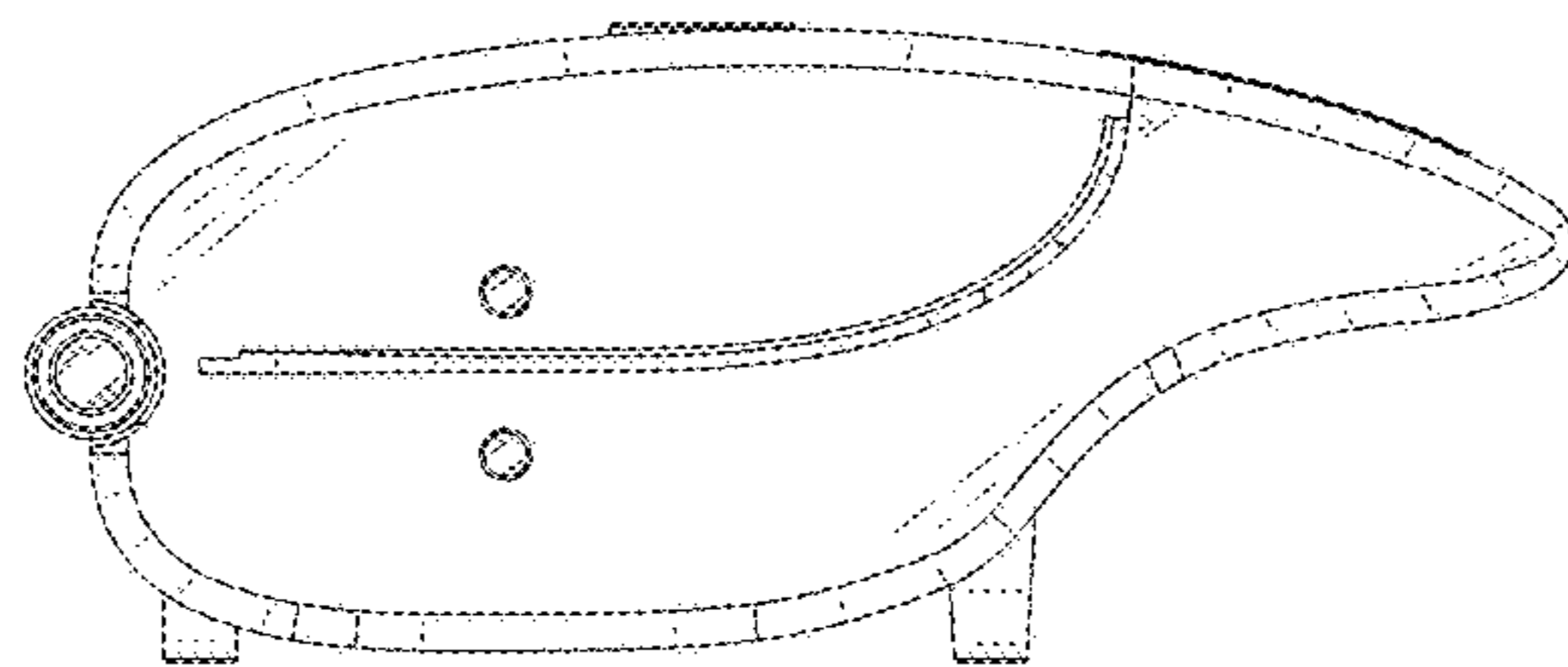


FIG.4

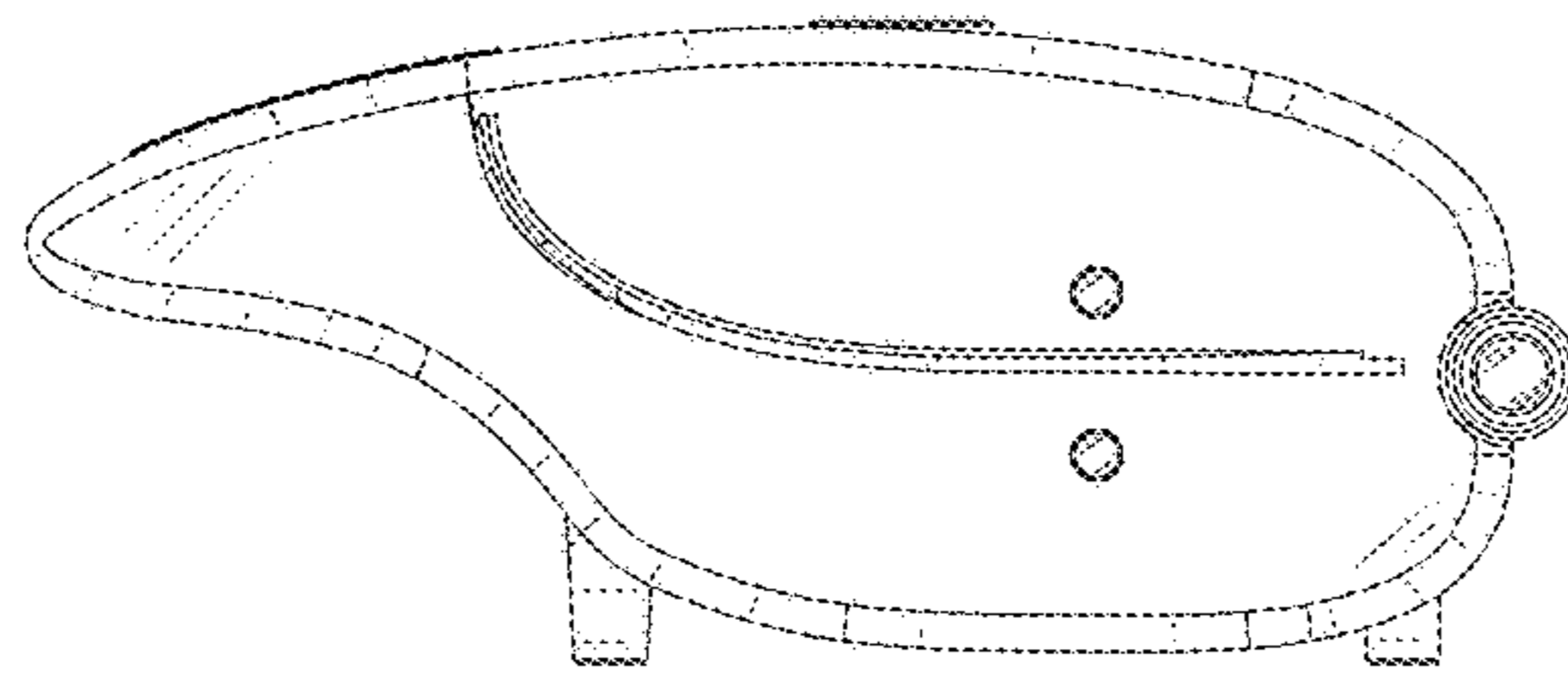


FIG.5

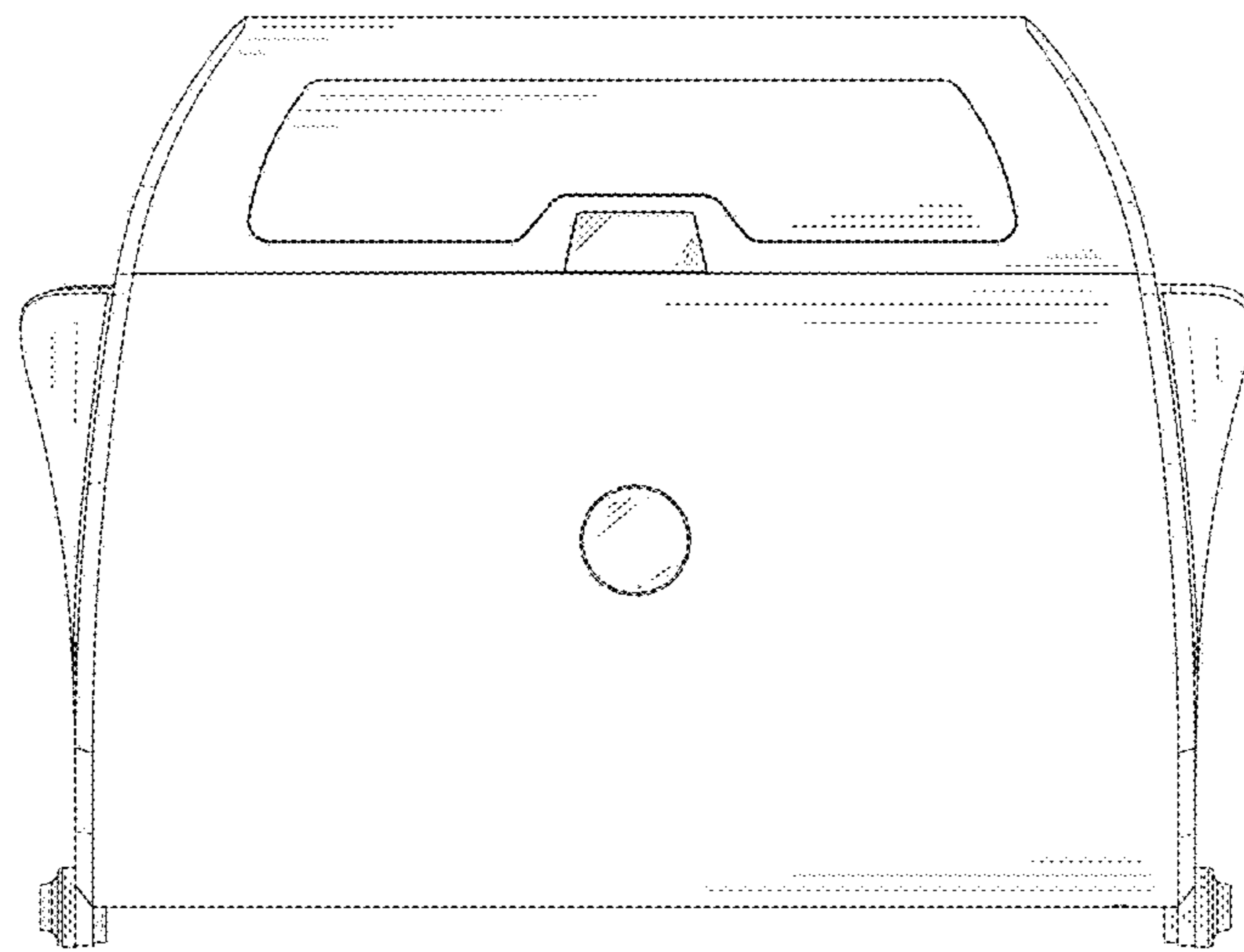


FIG.6

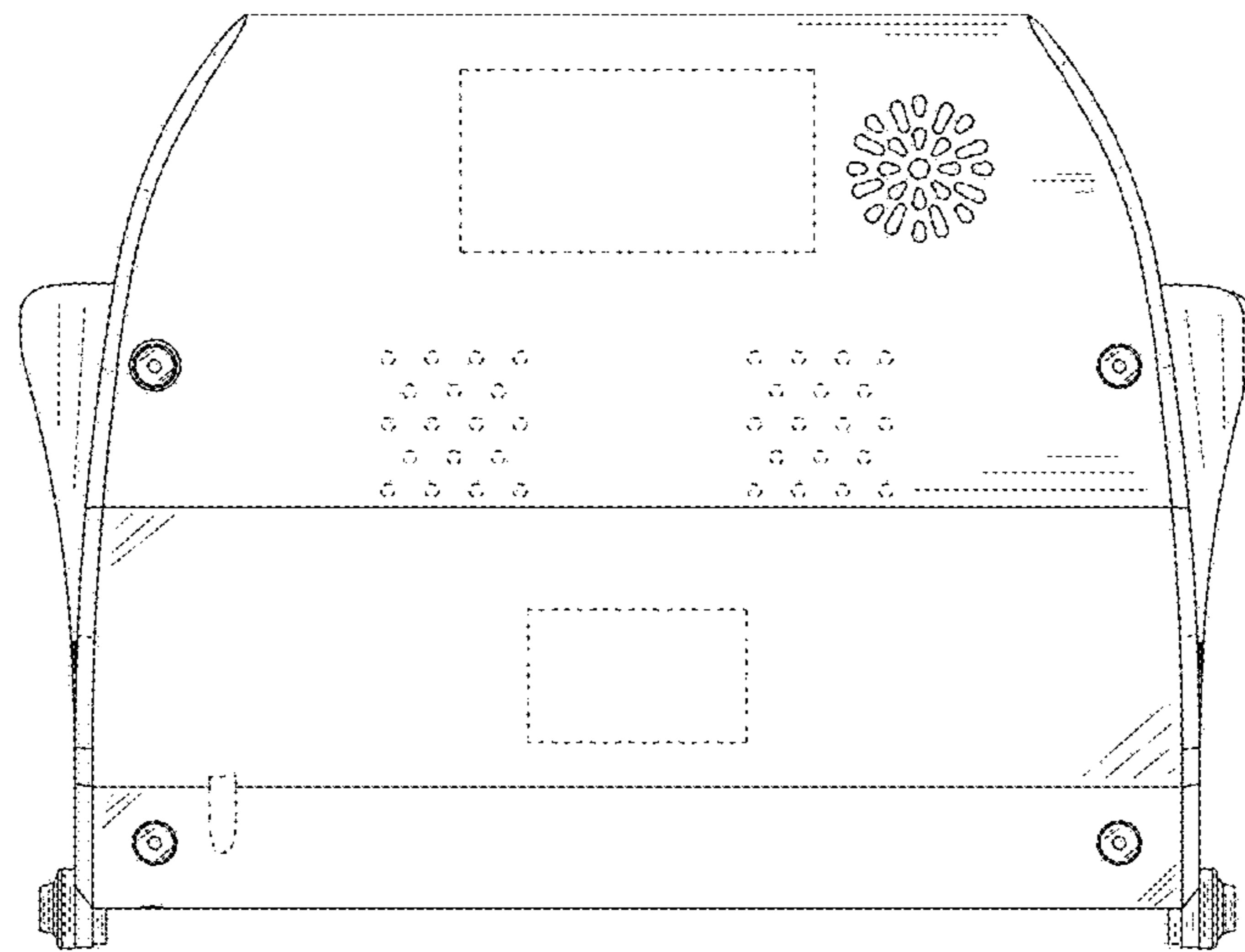


FIG. 7