



US00D845057S

(12) **United States Design Patent** (10) **Patent No.:** **US D845,057 S**
Lira-Nunez et al. (45) **Date of Patent:** **** Apr. 9, 2019**

- (54) **GRILL WITH CART**
- (71) Applicants: **Carmen O. Lira-Nunez**, Downers Grove, IL (US); **Mark Richard Pavel**, Lisle, IL (US); **Anton Kalisiak**, Palatine, IL (US)
- (72) Inventors: **Carmen O. Lira-Nunez**, Downers Grove, IL (US); **Mark Richard Pavel**, Lisle, IL (US); **Anton Kalisiak**, Palatine, IL (US)
- (73) Assignee: **Weber-Stephen Products LLC**, Palatine, IL (US)

D562,629	S	*	2/2008	Chau	D7/402
D571,604	S	*	6/2008	Chung	D7/334
D572,973	S	*	7/2008	Chau	D7/402
D688,512	S	*	8/2013	Chung	D7/334
D694,568	S	*	12/2013	Alden	D7/334
D722,809	S	*	2/2015	Chung	D7/334
D794,997	S	*	8/2017	Chung	D7/334
D798,645	S	*	10/2017	Lira-Nunez	D7/334
D815,875	S	*	4/2018	Lira-Nunez	D7/334
2013/0112088	A1	*	5/2013	May	A47J 37/07 99/421 H

* cited by examiner

Primary Examiner — Brett Miller

(74) *Attorney, Agent, or Firm* — Vitale, Vickrey, Niro & Gasey LLP

(**) Term: **15 Years**

(57) **CLAIM**

(21) Appl. No.: **29/619,296**

The ornamental design for a grill with cart, as shown and described.

(22) Filed: **Sep. 28, 2017**

DESCRIPTION

(51) **LOC (11) Cl.** **07-02**

(52) **U.S. Cl.**
USPC **D7/334**

(58) **Field of Classification Search**
USPC D7/332–337, 402–409
CPC A47J 37/07–37/0781; A47J 37/0786; A47J 37/079; F24B 1/202; F24B 1/205; F24B 1/207; F24C 1/16; F24C 3/14
See application file for complete search history.

FIG. 1 is a right side perspective view of a grill with cart of the present invention;
 FIG. 2 is a front view of the grill with cart of the present invention;
 FIG. 3 is a top view of the grill with cart of the present invention;
 FIG. 4 is a left side view of the grill with cart of the present invention;
 FIG. 5 is a right side view of the grill with cart of the present invention; and,
 FIG. 6 is a rear view of the grill with cart of the present invention.

The broken lines depict portions of the grill with cart that form no part of the claimed design.

(56) **References Cited**

U.S. PATENT DOCUMENTS

D406,009	S	*	2/1999	Wagner	D7/332
D514,381	S	*	2/2006	Chung	D7/402
D549,512	S	*	8/2007	Chung	D7/334

1 Claim, 6 Drawing Sheets

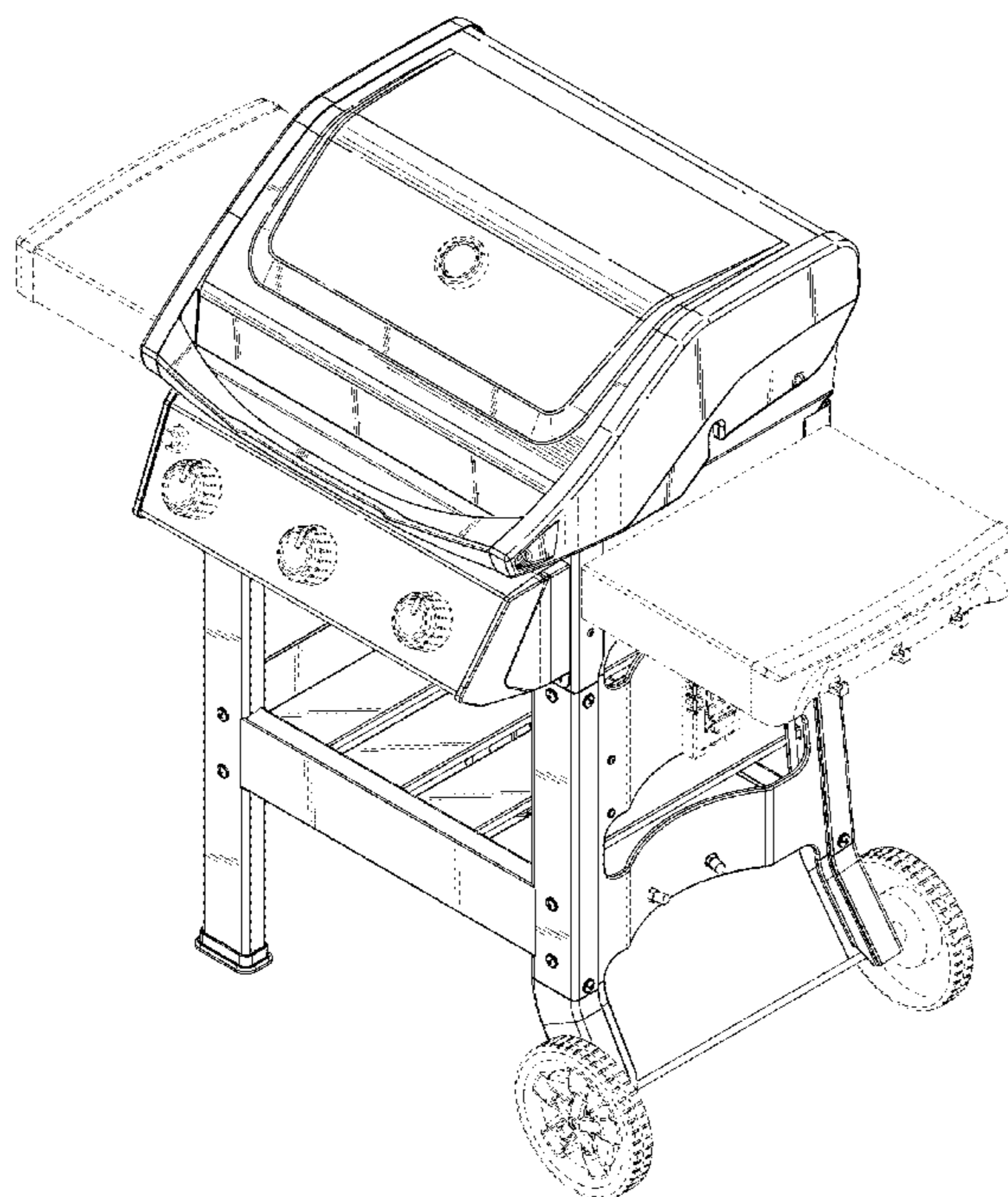
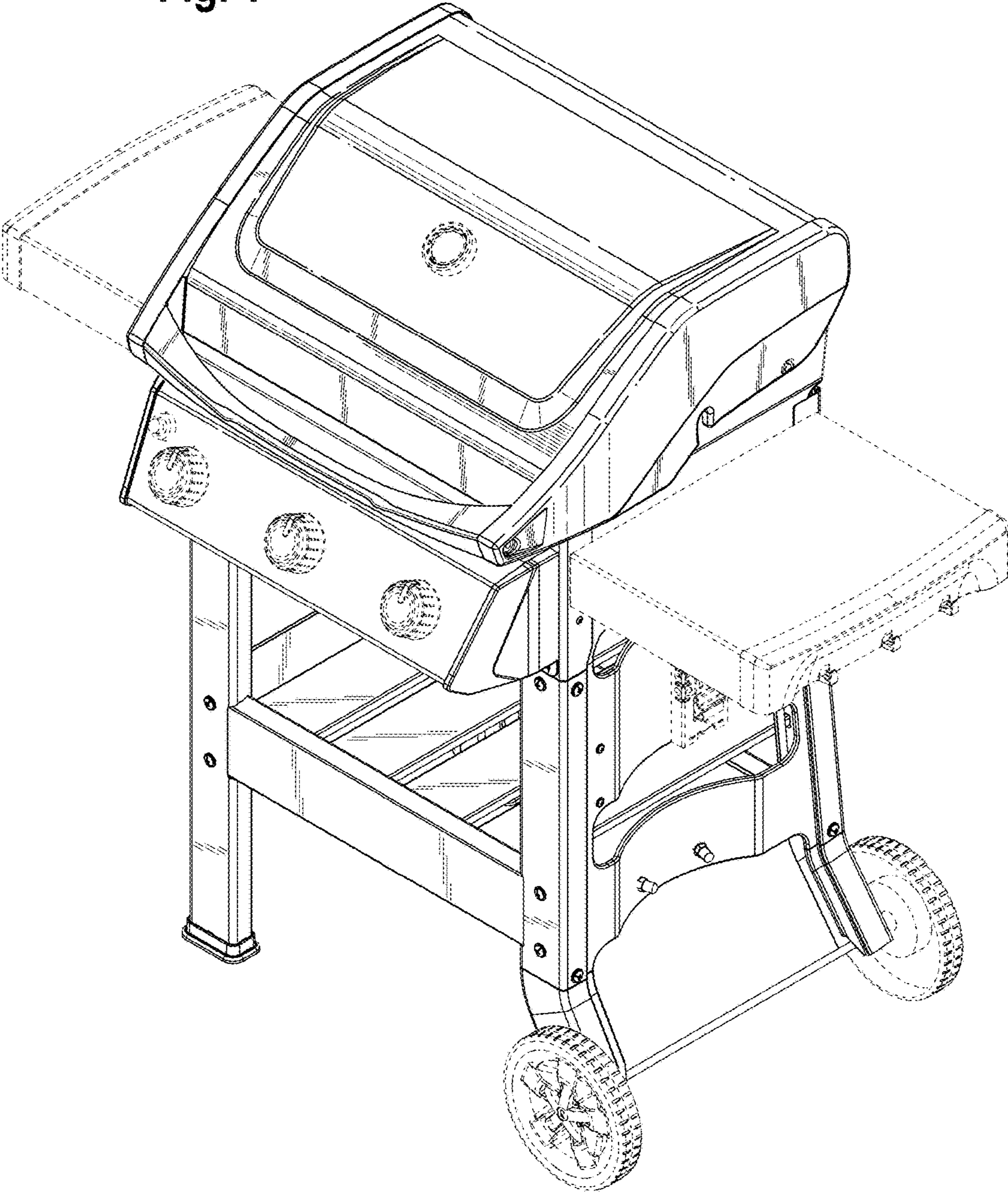


Fig. 1



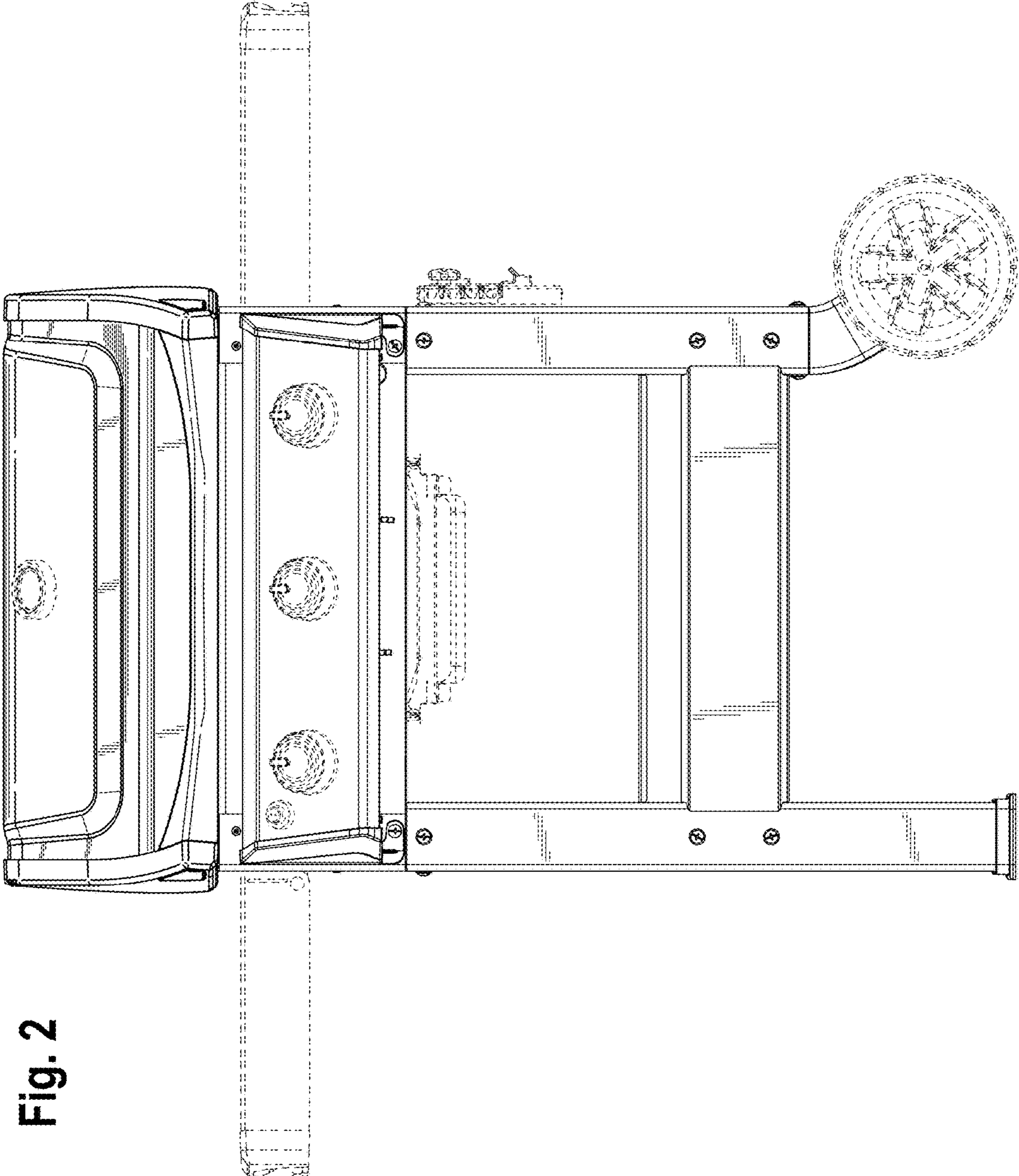
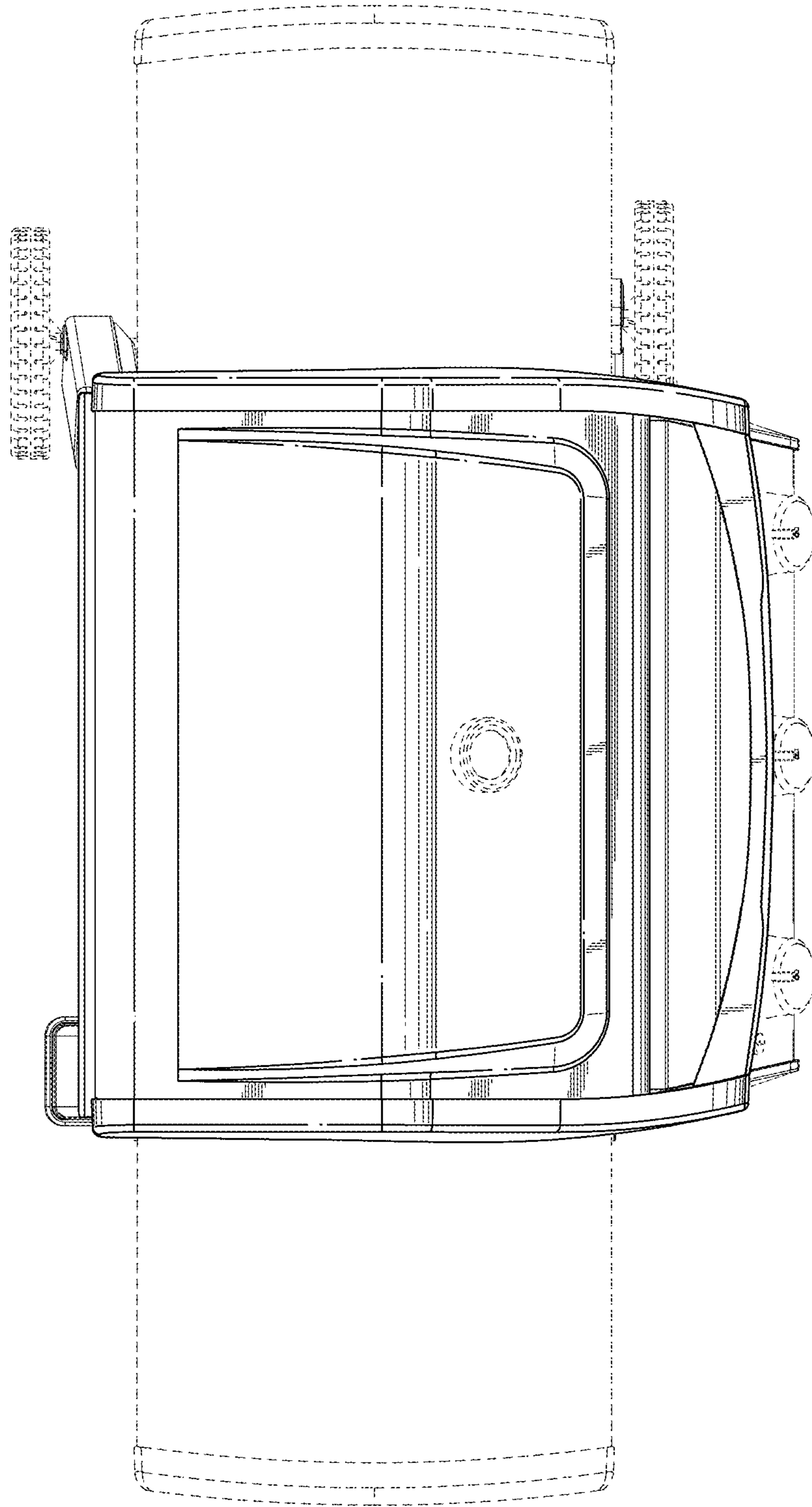


Fig. 2

Fig. 3



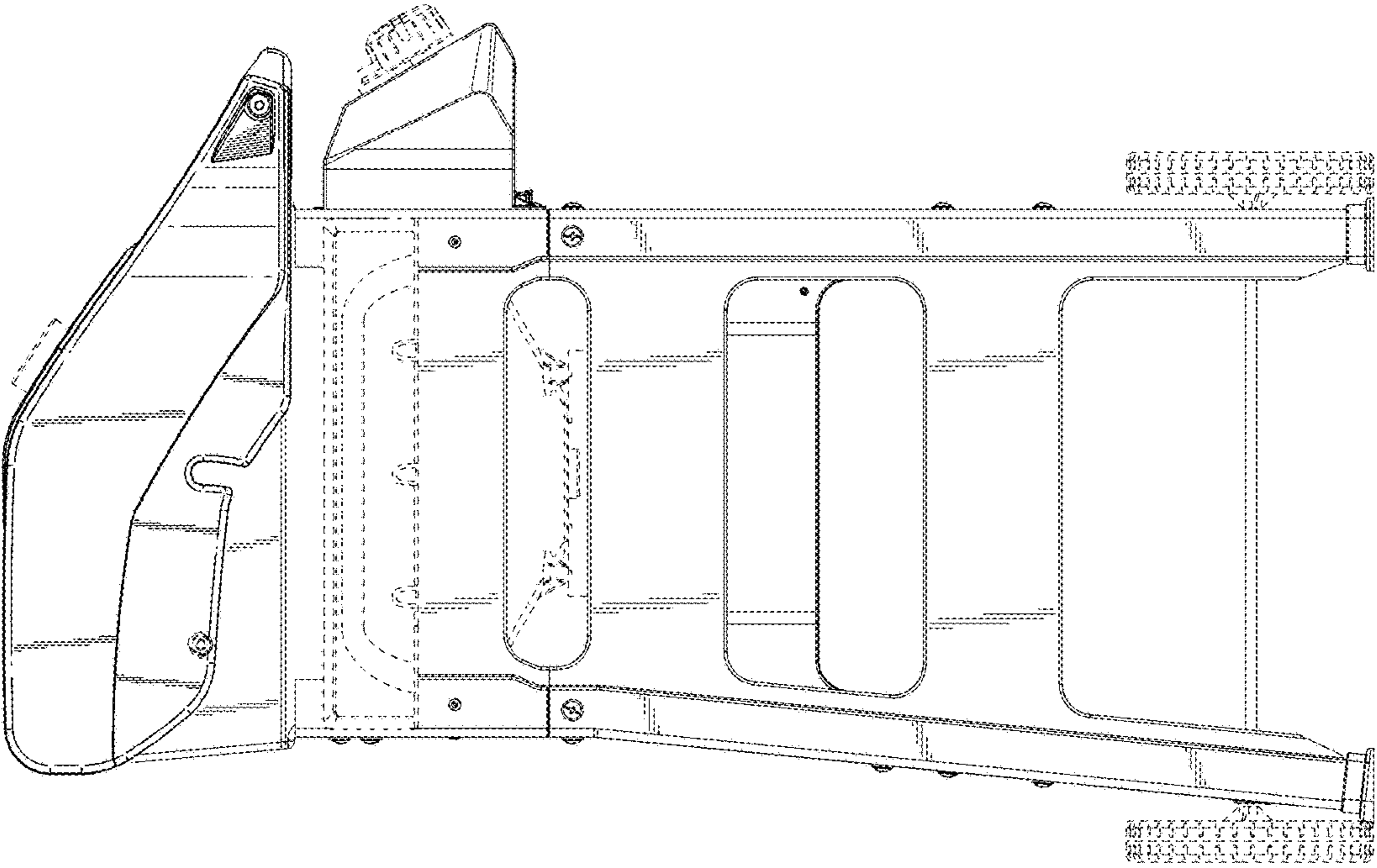


Fig. 4

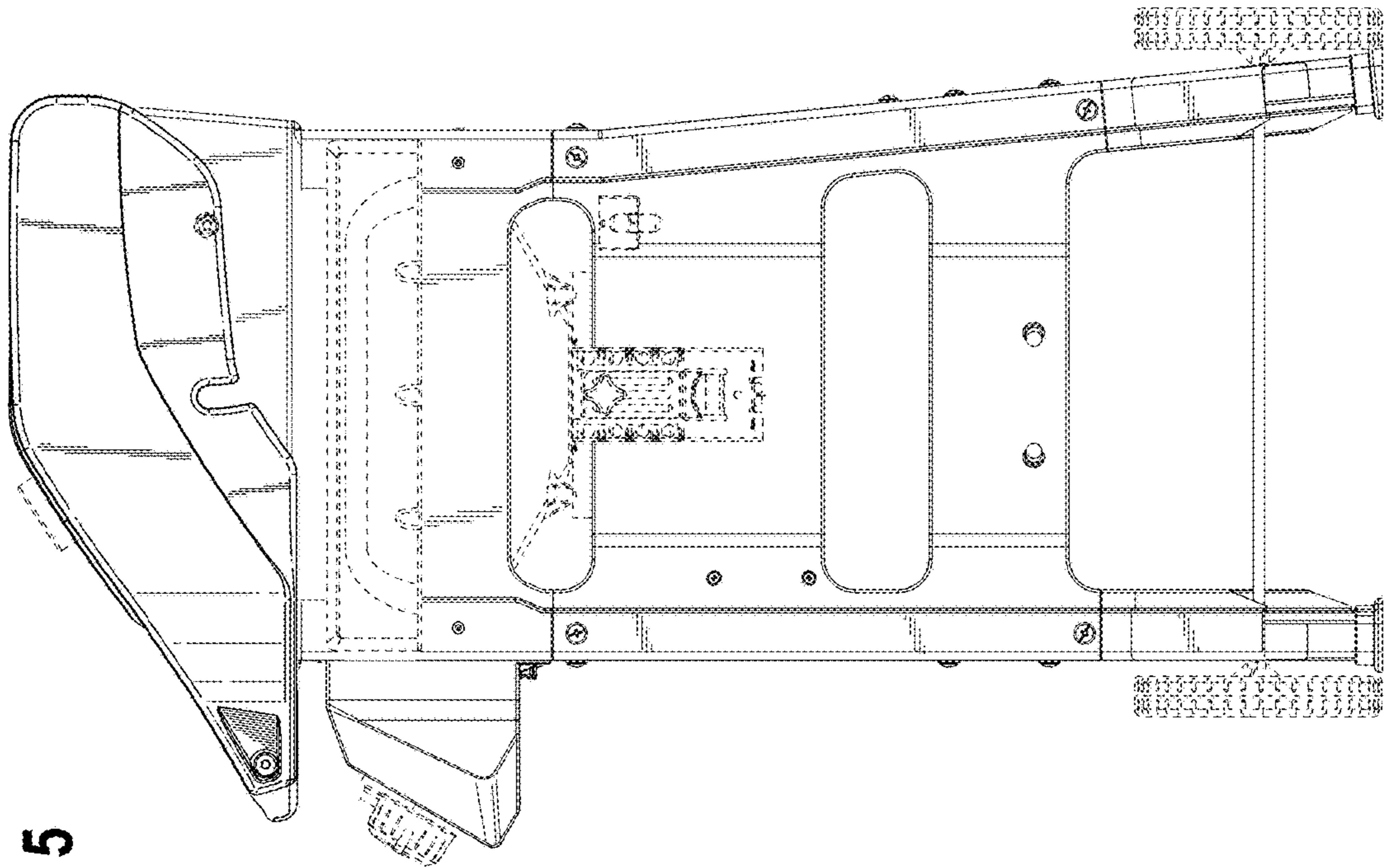


Fig. 5

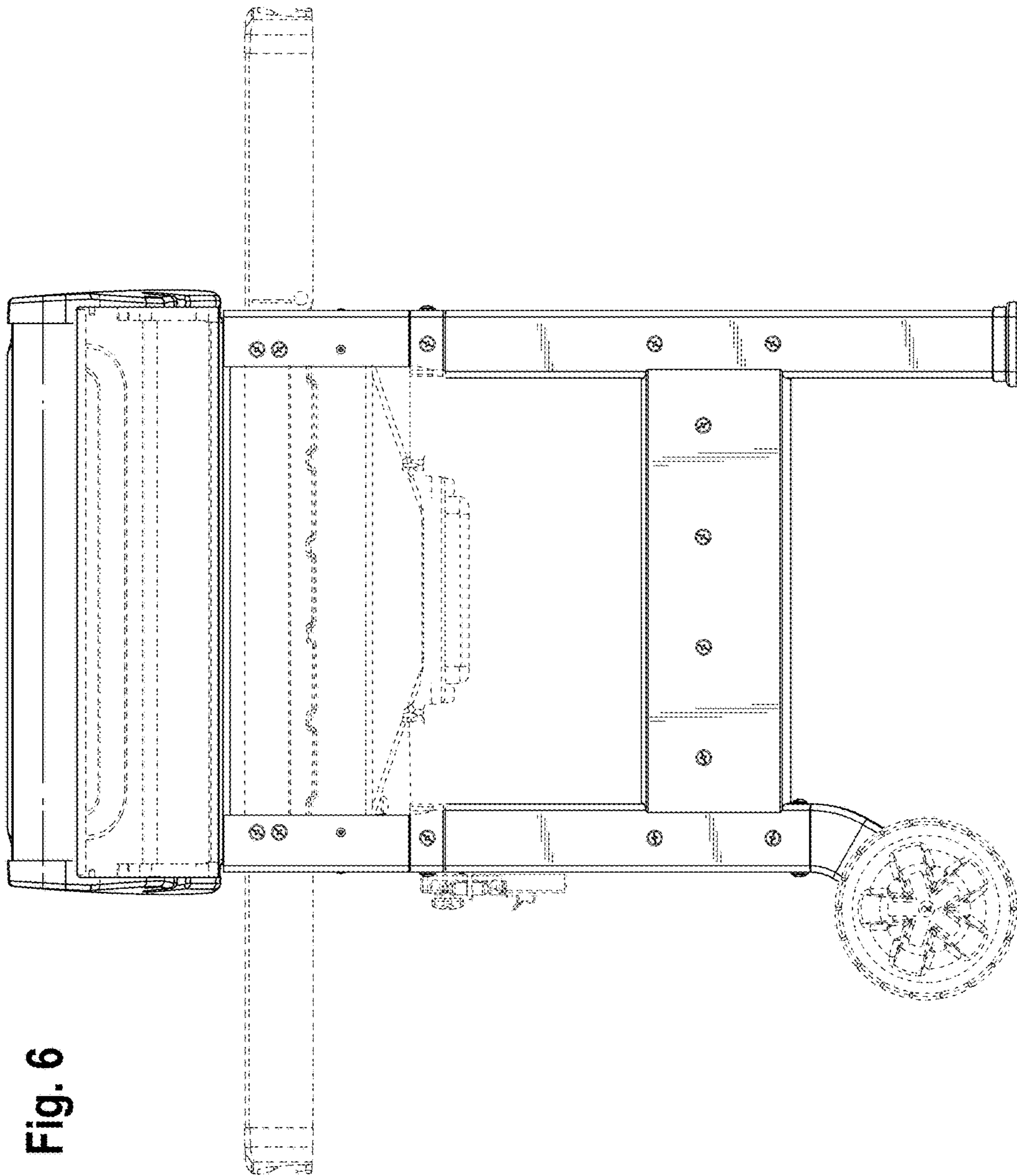


Fig. 6