



US00D845056S

(12) **United States Design Patent**
Lien

(10) **Patent No.:** **US D845,056 S**

(45) **Date of Patent:** **** Apr. 9, 2019**

(54) **BARBEQUE GRILL**

(71) Applicant: **MOR DESIGNS LTD.**, Taipei (TW)

(72) Inventor: **Hung Mei Lien**, Taipei (TW)

(73) Assignee: **MOR DESIGNS LTD.**, Taipei (TW)

(**) Term: **15 Years**

(21) Appl. No.: **29/616,644**

(22) Filed: **Sep. 7, 2017**

(30) **Foreign Application Priority Data**

Jul. 11, 2017 (CN) 2017 3 0302313

(51) **LOC (11) Cl.** **07-02**

(52) **U.S. Cl.**
USPC **D7/334**

(58) **Field of Classification Search**

USPC D7/332-337, 402-409
CPC A47J 37/07-37/0781; A47J 37/0786; A47J
37/079; F24B 1/202; F24B 1/205; F24B
1/207; F24C 1/16; F24C 3/14
See application file for complete search history.

(56) **References Cited**

U.S. PATENT DOCUMENTS

D510,838 S * 10/2005 Nipke D7/334
D511,640 S * 11/2005 Nipke D7/337

D547,593 S * 7/2007 May D7/334
D687,667 S * 8/2013 Chien D7/334
D737,092 S * 8/2015 Lin D7/334
D744,775 S * 12/2015 Yang D7/334
D790,903 S * 7/2017 Yang D7/337
D820,025 S * 6/2018 Yang D7/337
2003/0029436 A1* 2/2003 Carden A47J 37/0786
126/41 R
2013/0074822 A1* 3/2013 Chien A47J 37/0763
126/25 R
2015/0114383 A1* 4/2015 Lin A47J 37/0763
126/25 R

* cited by examiner

Primary Examiner — Brett Miller

(74) *Attorney, Agent, or Firm* — Nixon & Vanderhye PC

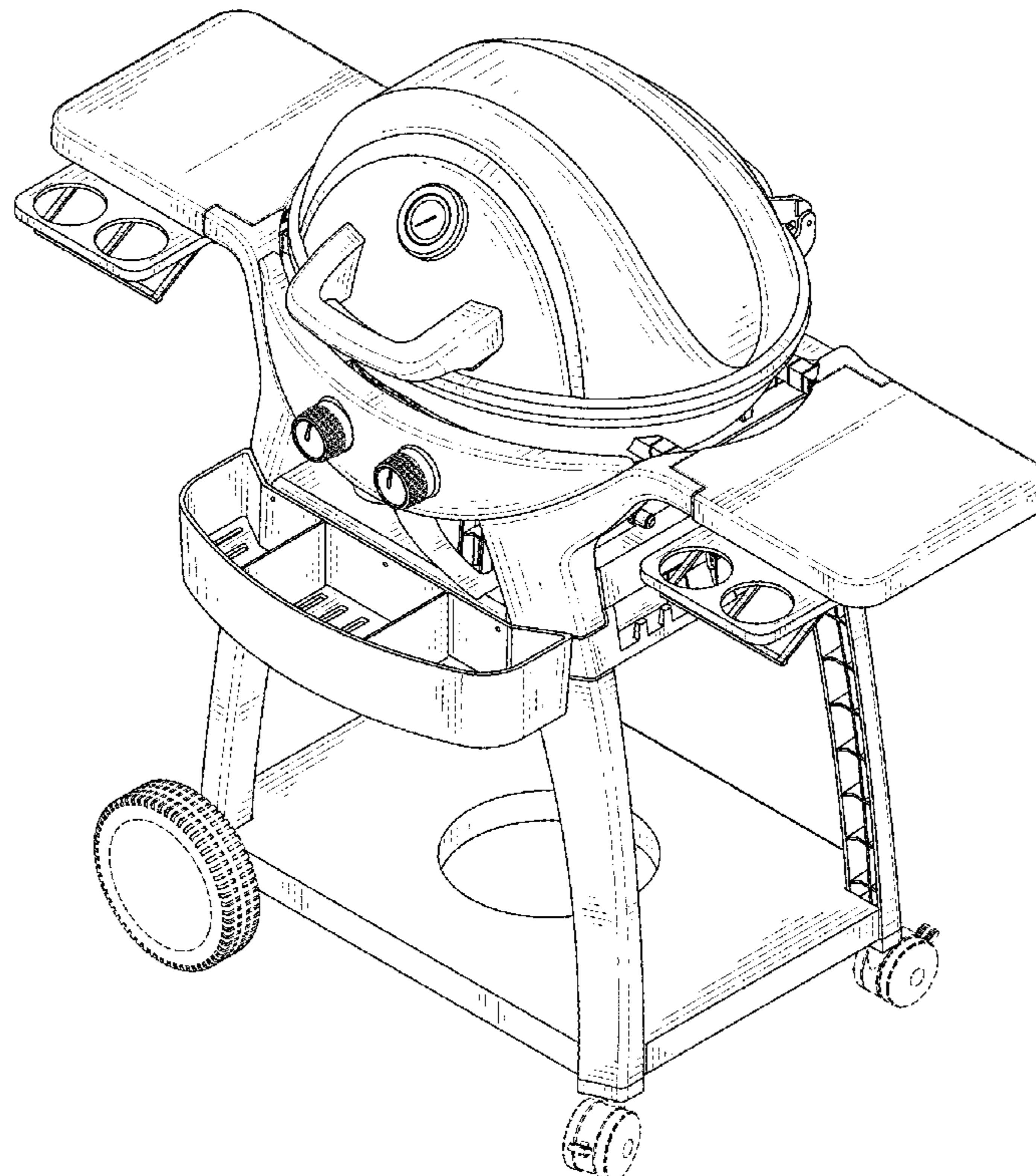
(57) **CLAIM**

The ornamental design for a barbeque grill, as shown and described.

DESCRIPTION

FIG. 1 is a first perspective view of the barbeque grill;
FIG. 2 is a second perspective view of the barbeque grill;
FIG. 3 is a front view of the barbeque grill;
FIG. 4 is a rear view of the barbeque grill;
FIG. 5 is a left side view of the barbeque grill;
FIG. 6 is a right side view of the barbeque grill;
FIG. 7 is a top view of the barbeque grill; and,
FIG. 8 is a bottom view of the barbeque grill.
The broken lines in the drawings depict portions of the
barbeque grill that form no part of the claimed design.

1 Claim, 8 Drawing Sheets



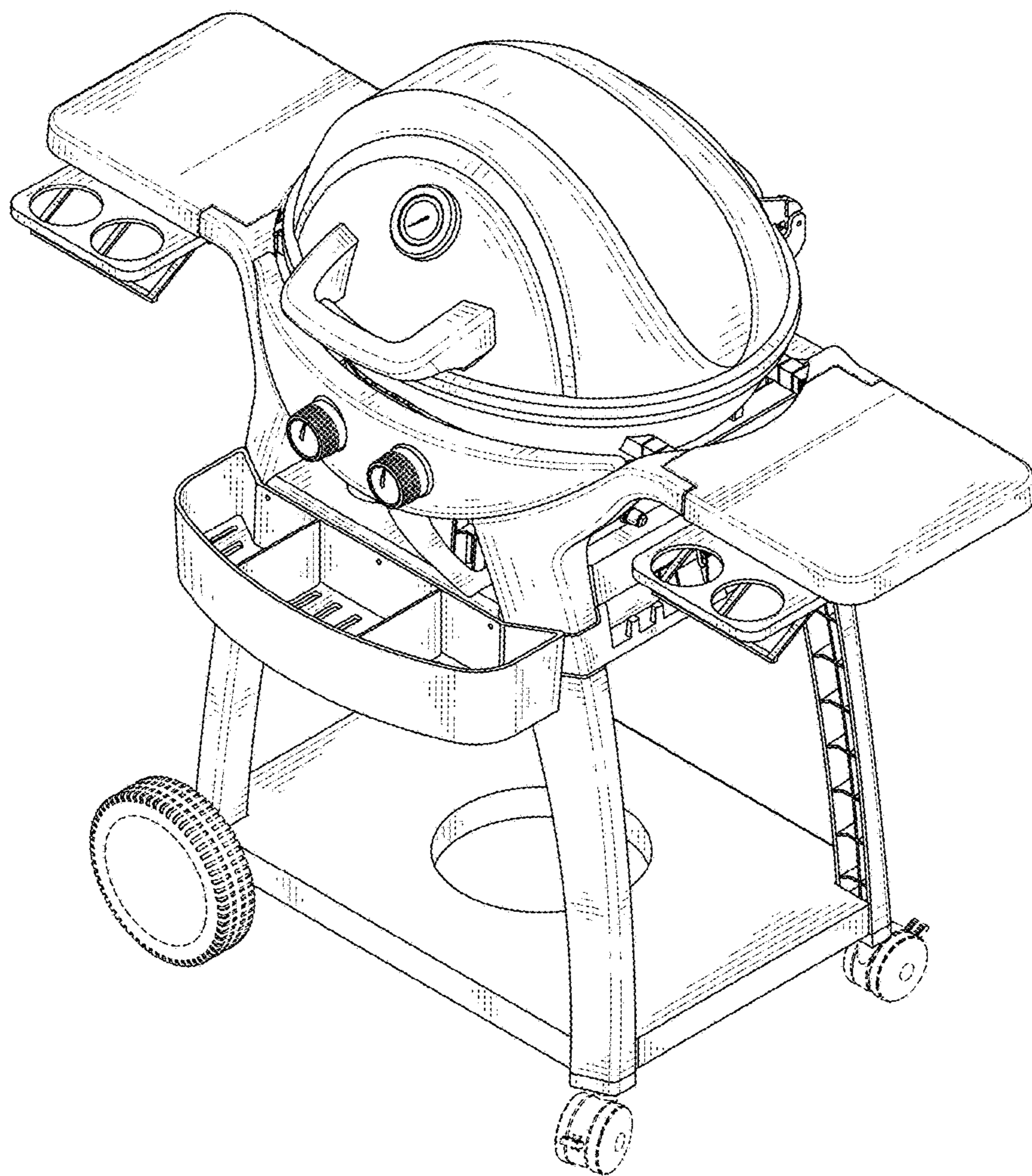


FIG. 1

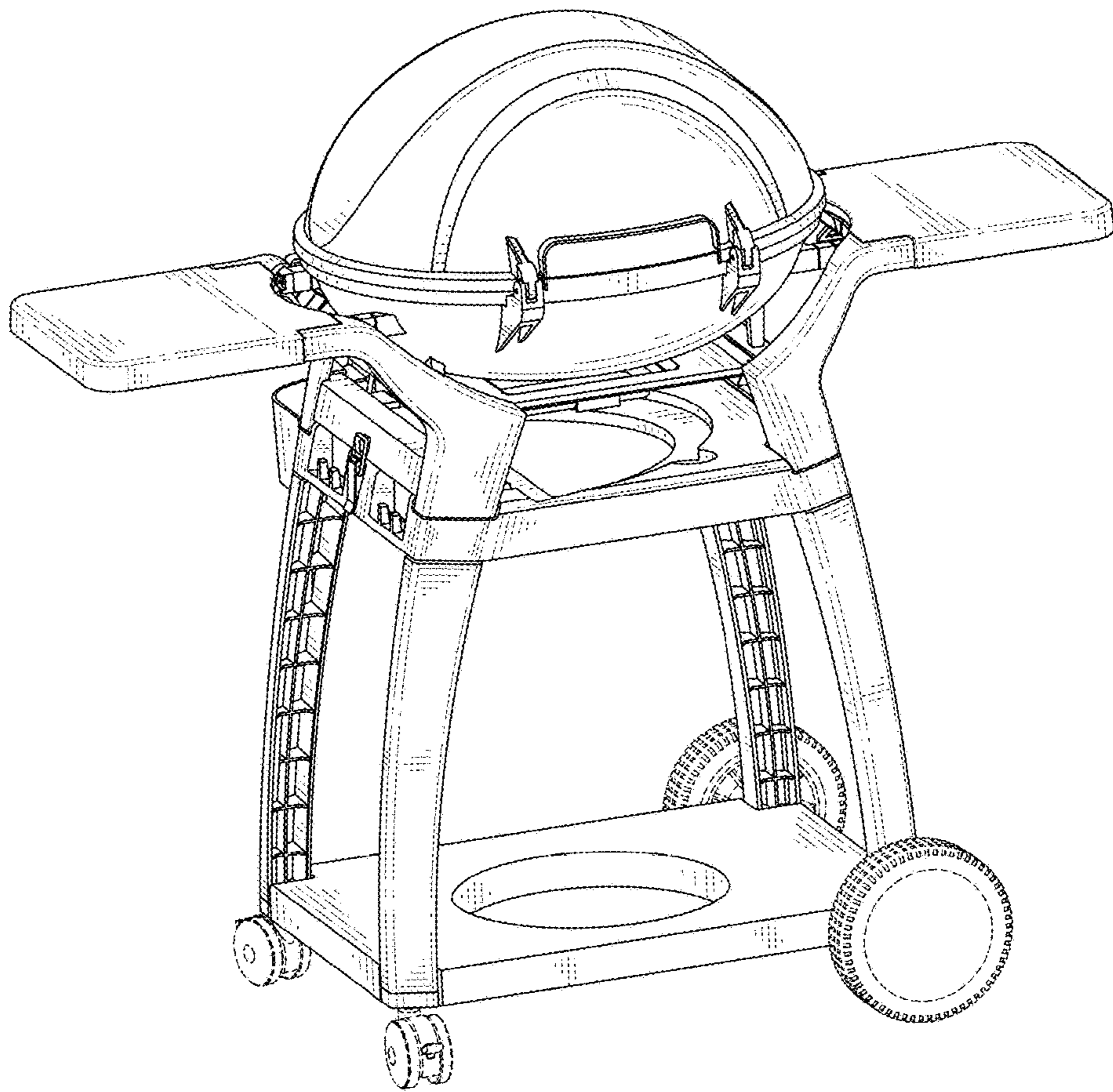


FIG. 2

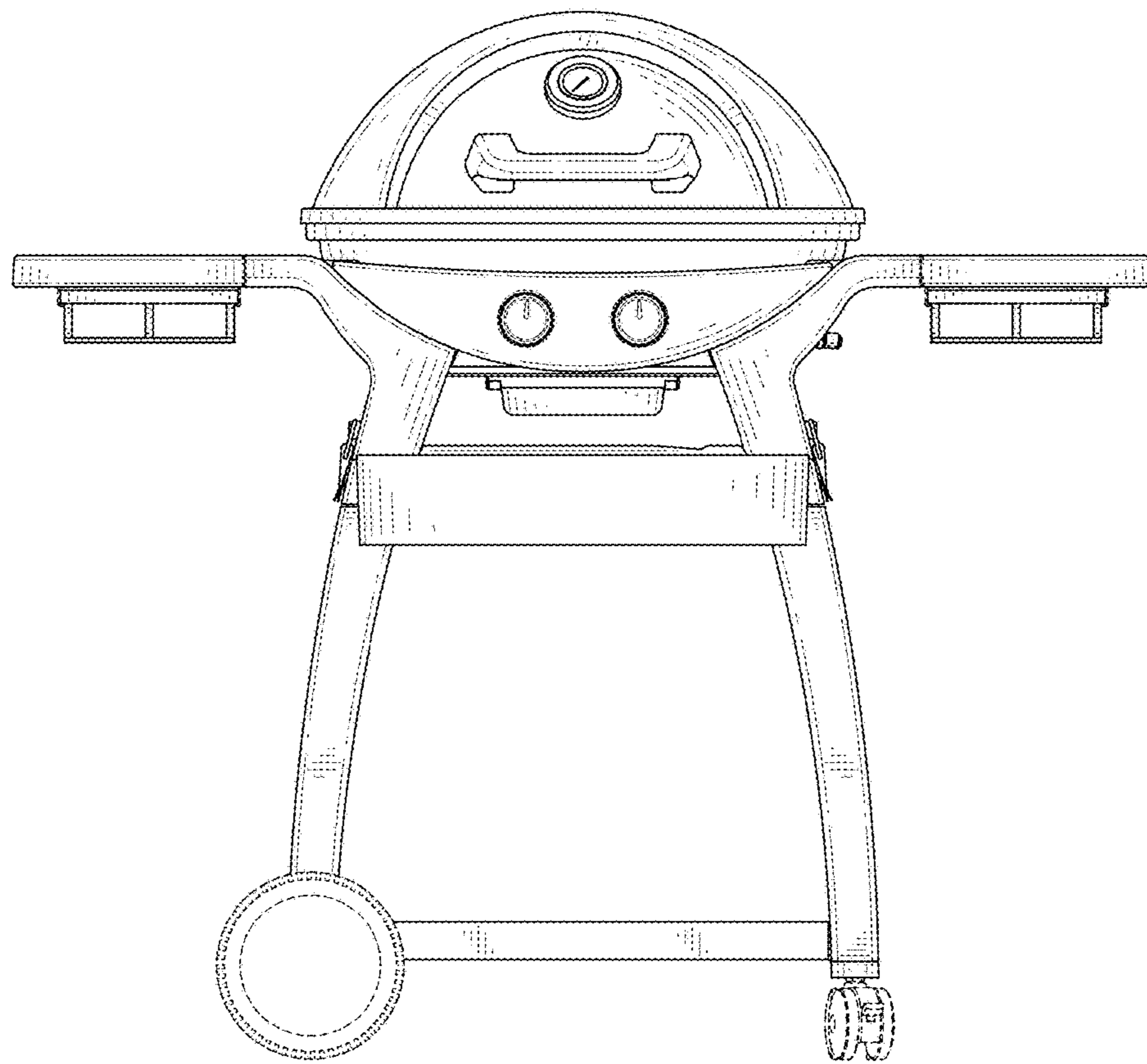


FIG. 3

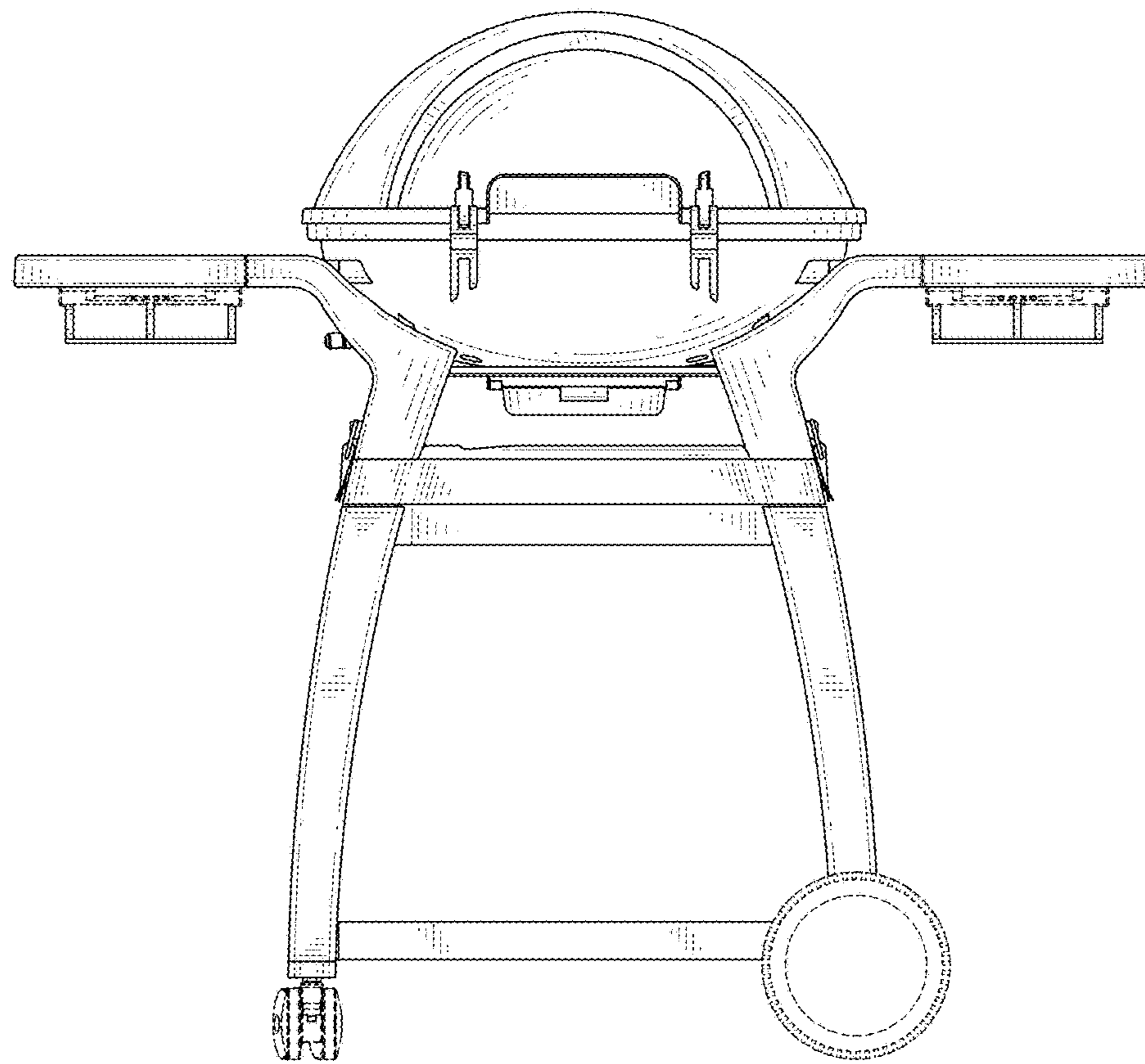


FIG. 4

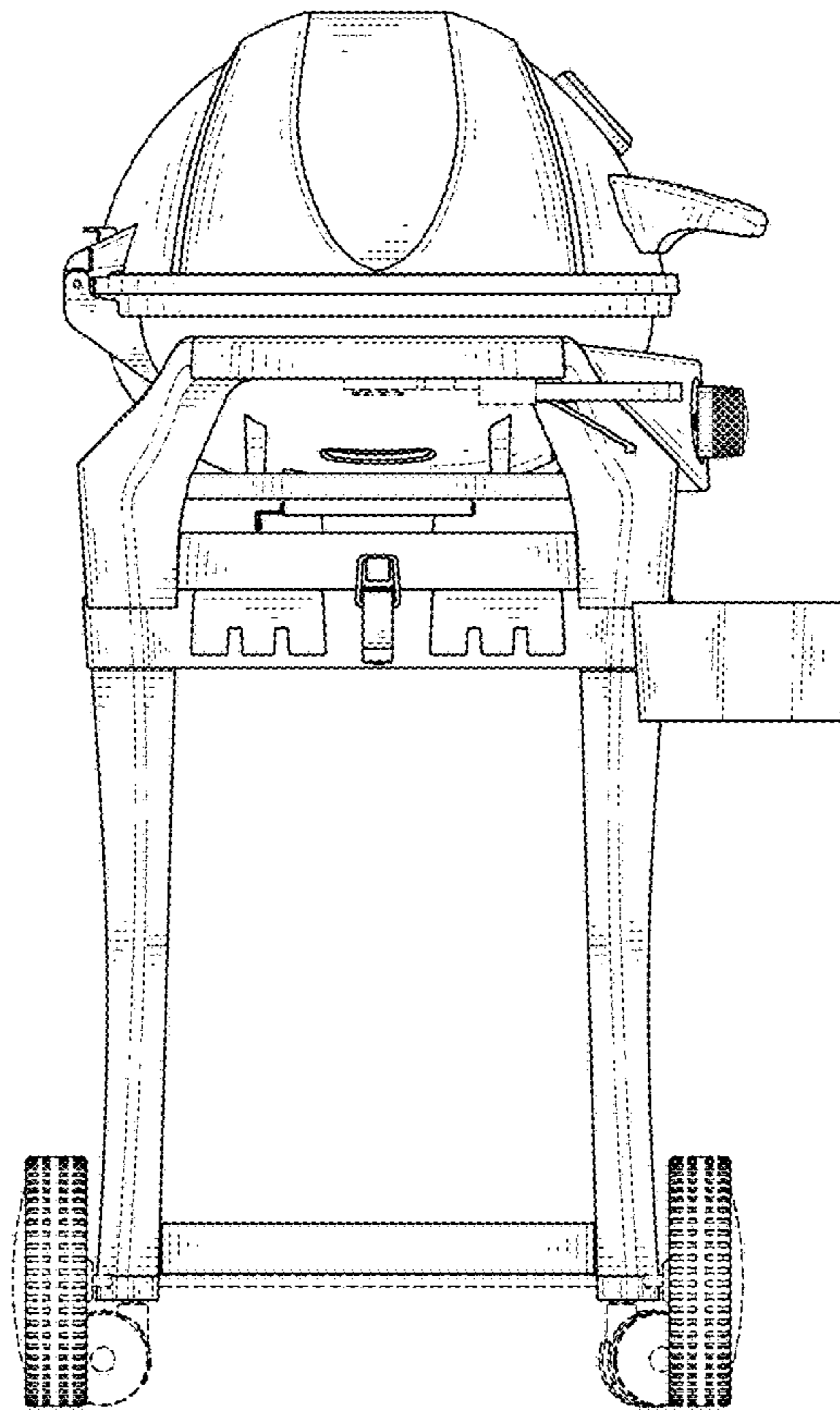


FIG. 5

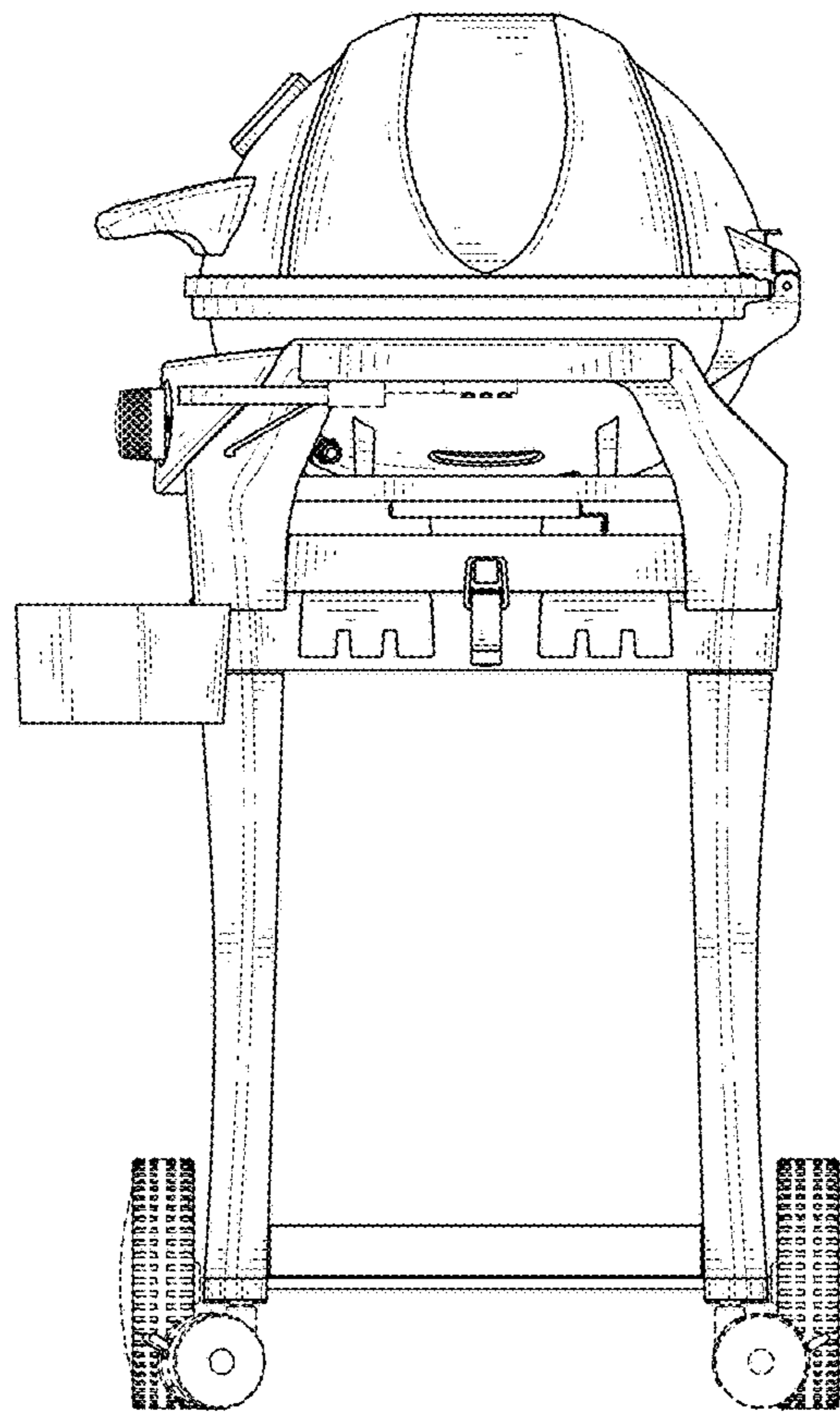


FIG. 6

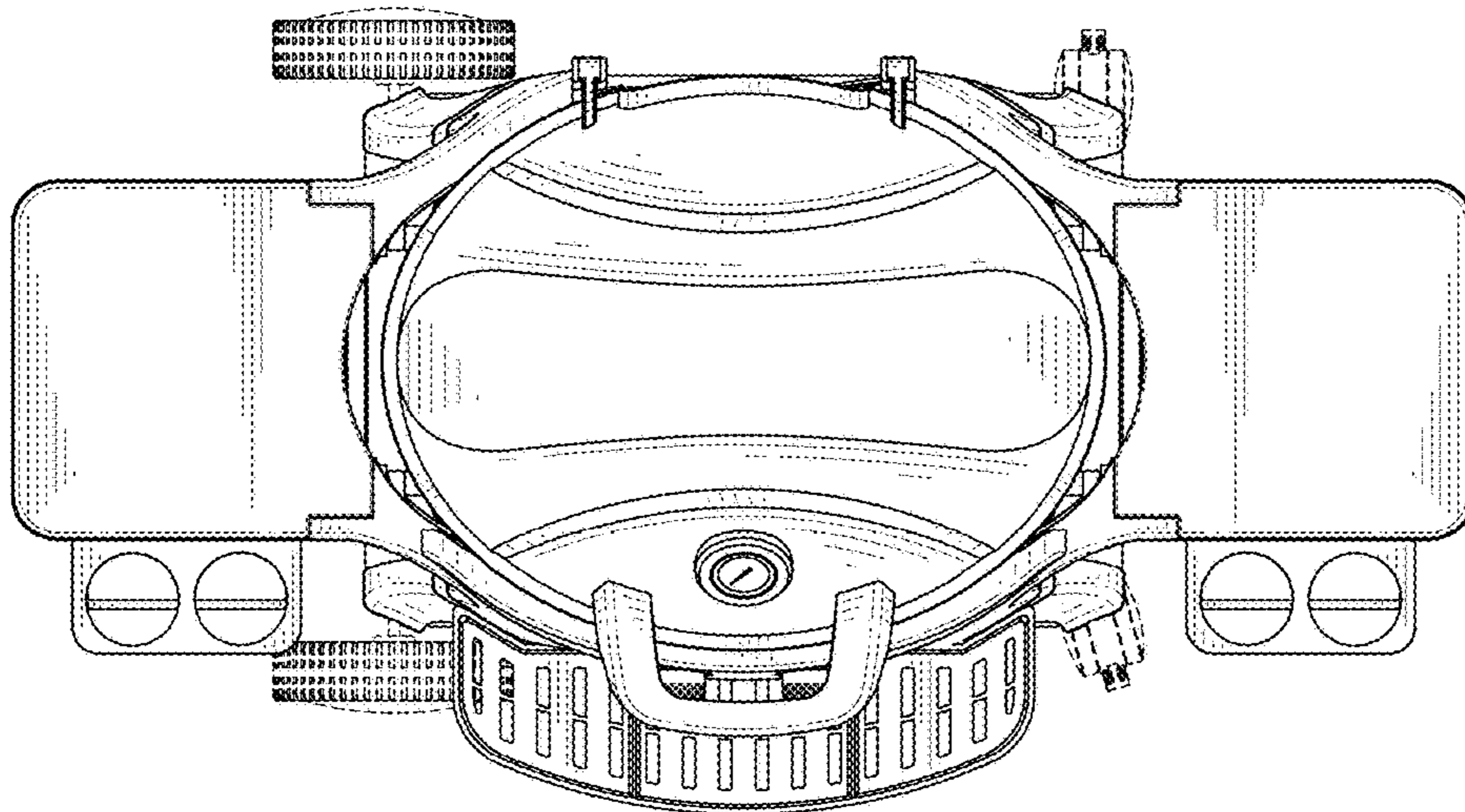


FIG. 7

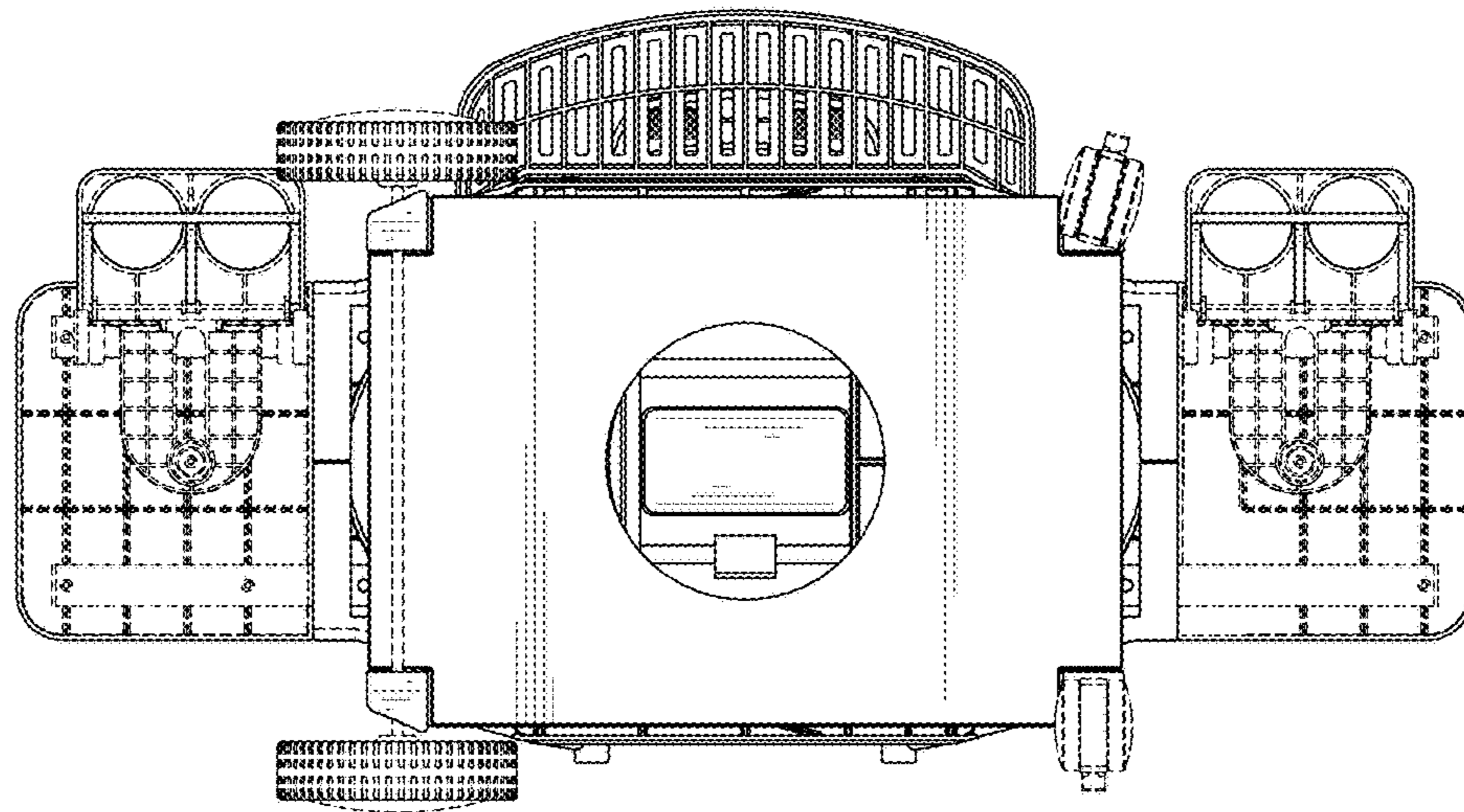


FIG. 8