



US00D845054S

(12) **United States Design Patent**  
**Barquin et al.**

(10) **Patent No.:** **US D845,054 S**

(45) **Date of Patent:** **\*\* Apr. 9, 2019**

- (54) **COFFEE MAKER**
- (71) Applicant: **Spectrum Brands, Inc.**, Middleton, WI (US)
- (72) Inventors: **Francisco Javier Barquin**, Madison, WI (US); **Jacquelyn Holmes**, Madison, WI (US)
- (73) Assignee: **Spectrum Brands, Inc.**, Middleton, WI (US)
- (\*\*) Term: **15 Years**

- D386,039 S \* 11/1997 Dingelstad ..... D7/309
- D403,199 S \* 12/1998 Micoley ..... D7/309
- D432,848 S \* 10/2000 Brady ..... D7/309
- D437,173 S \* 2/2001 Naft ..... D7/309
- D449,196 S \* 10/2001 Bouhuys ..... D7/309
- D451,330 S \* 12/2001 Lothrop ..... D7/309
- D484,733 S \* 1/2004 Kling ..... D7/309
- D485,728 S \* 1/2004 Sham ..... D7/309
- D488,021 S \* 4/2004 Price ..... D7/309
- D530,138 S \* 10/2006 Sumser ..... D7/309
- D545,608 S \* 7/2007 Picozza ..... D7/309
- D564,280 S \* 3/2008 Ting ..... D7/309
- D585,229 S \* 1/2009 de Visser ..... D7/309
- D594,688 S \* 6/2009 Hammad ..... D7/306
- D620,301 S \* 7/2010 Picozza ..... D7/309

(Continued)

- (21) Appl. No.: **29/669,012**
- (22) Filed: **Nov. 5, 2018**

*Primary Examiner* — Marianne N Pandozzi  
(74) *Attorney, Agent, or Firm* — Banner & Witcoff, Ltd.

**Related U.S. Application Data**

- (62) Division of application No. 29/597,429, filed on Mar. 16, 2017.
- (51) **LOC (11) Cl.** ..... **07-01**
- (52) **U.S. Cl.**  
USPC ..... **D7/309; D7/310; D7/311**
- (58) **Field of Classification Search**  
USPC ..... D7/300, 309–311, 306–308, 305, 355, D7/362, 365, 367, 397, 399; 222/146.6, 222/185.1, 135; 99/295, 273, 304, 288, 99/279, 307, 283, 294, 300  
CPC ..... A47J 31/46; A47J 31/407; A47J 31/50; A47J 31/18; A47J 31/00; A47J 27/04; A47J 31/0573; A47J 31/52; A47J 31/0642; A47J 31/3628; A47J 31/4407; A47J 31/445  
See application file for complete search history.

(57) **CLAIM**

The ornamental design for a coffee maker, as shown and described.

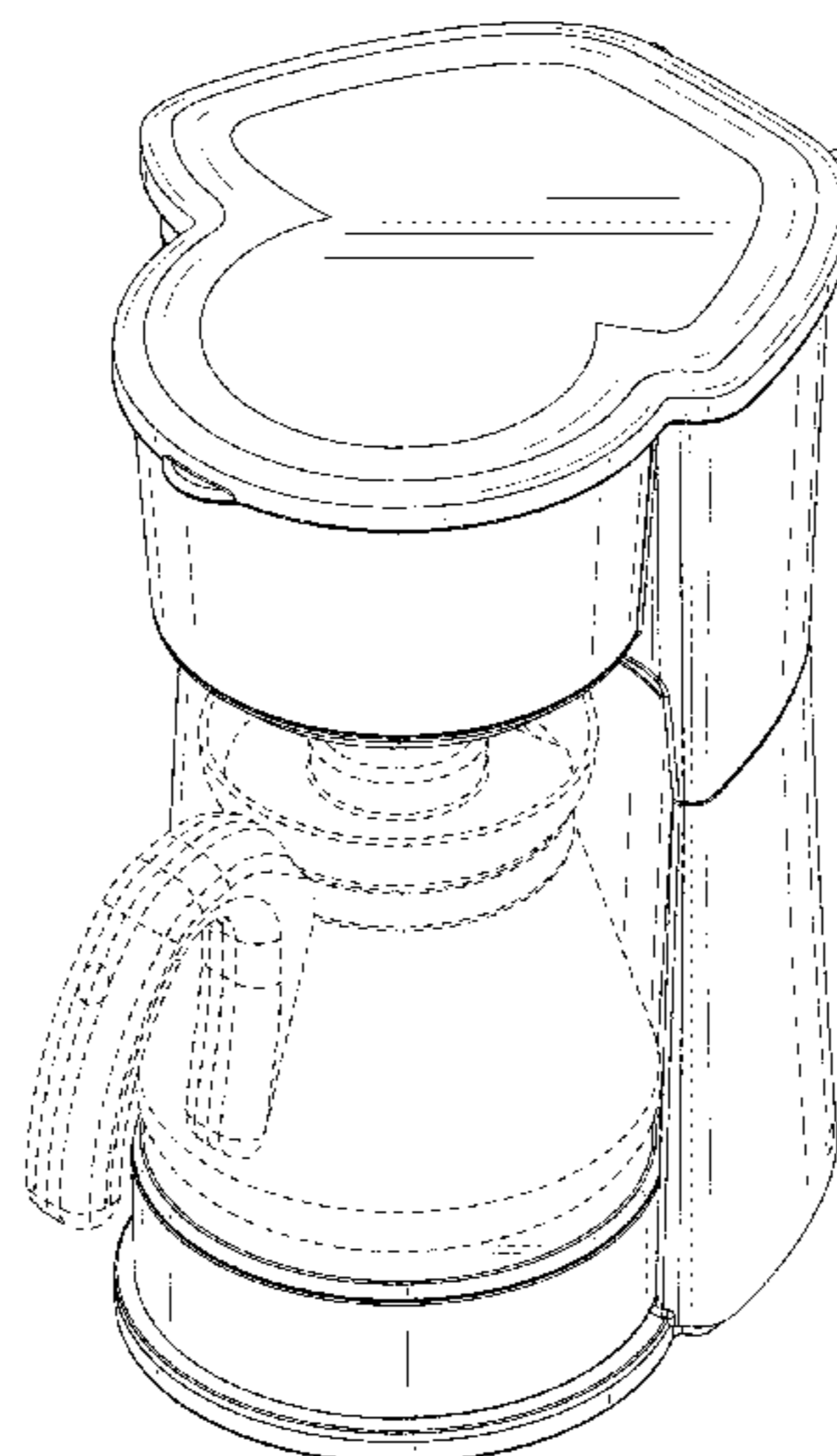
**DESCRIPTION**

FIG. 1 is a front perspective view of a coffee maker showing our new design;  
FIG. 2 is a front view thereof;  
FIG. 3 is a rear view thereof;  
FIG. 4 is a right side view thereof;  
FIG. 5 is a left side view thereof;  
FIG. 6 is a top view thereof;  
FIG. 7 is a front perspective view of the coffee maker of FIGS. 1-6 shown with the carafe removed;  
FIG. 8 is a front view thereof;  
FIG. 9 is a rear view thereof;  
FIG. 10 is a right side view thereof;  
FIG. 11 is a left side view thereof; and,  
FIG. 12 is a top view thereof.  
The broken lines depicting the remainder of the coffee maker show features that form no part of the claimed design.

(56) **References Cited**  
U.S. PATENT DOCUMENTS

- D314,881 S \* 2/1991 Wondergem ..... D7/309
- D317,996 S \* 7/1991 Jack ..... D7/309

**1 Claim, 12 Drawing Sheets**



(56)

**References Cited**

U.S. PATENT DOCUMENTS

D622,536 S *	8/2010	Ågren .....	D7/309
D627,188 S *	11/2010	Picozza .....	D7/306
D639,598 S *	6/2011	Eckholm .....	D7/309
D696,891 S *	1/2014	Burrows .....	D7/309
D761,053 S	7/2016	Rosati et al.	
D775,887 S	1/2017	Atkin et al.	

\* cited by examiner

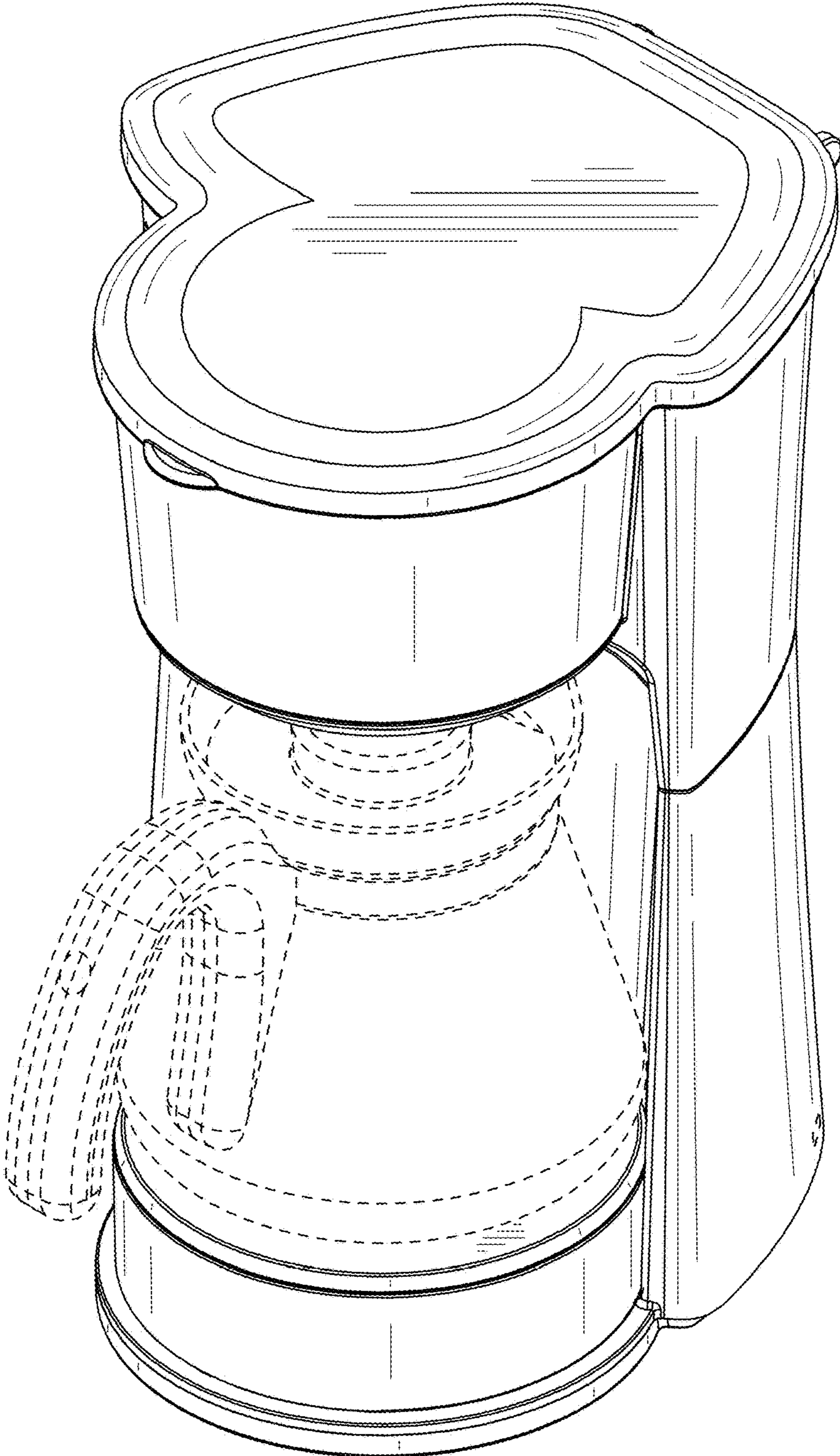


FIG. 1

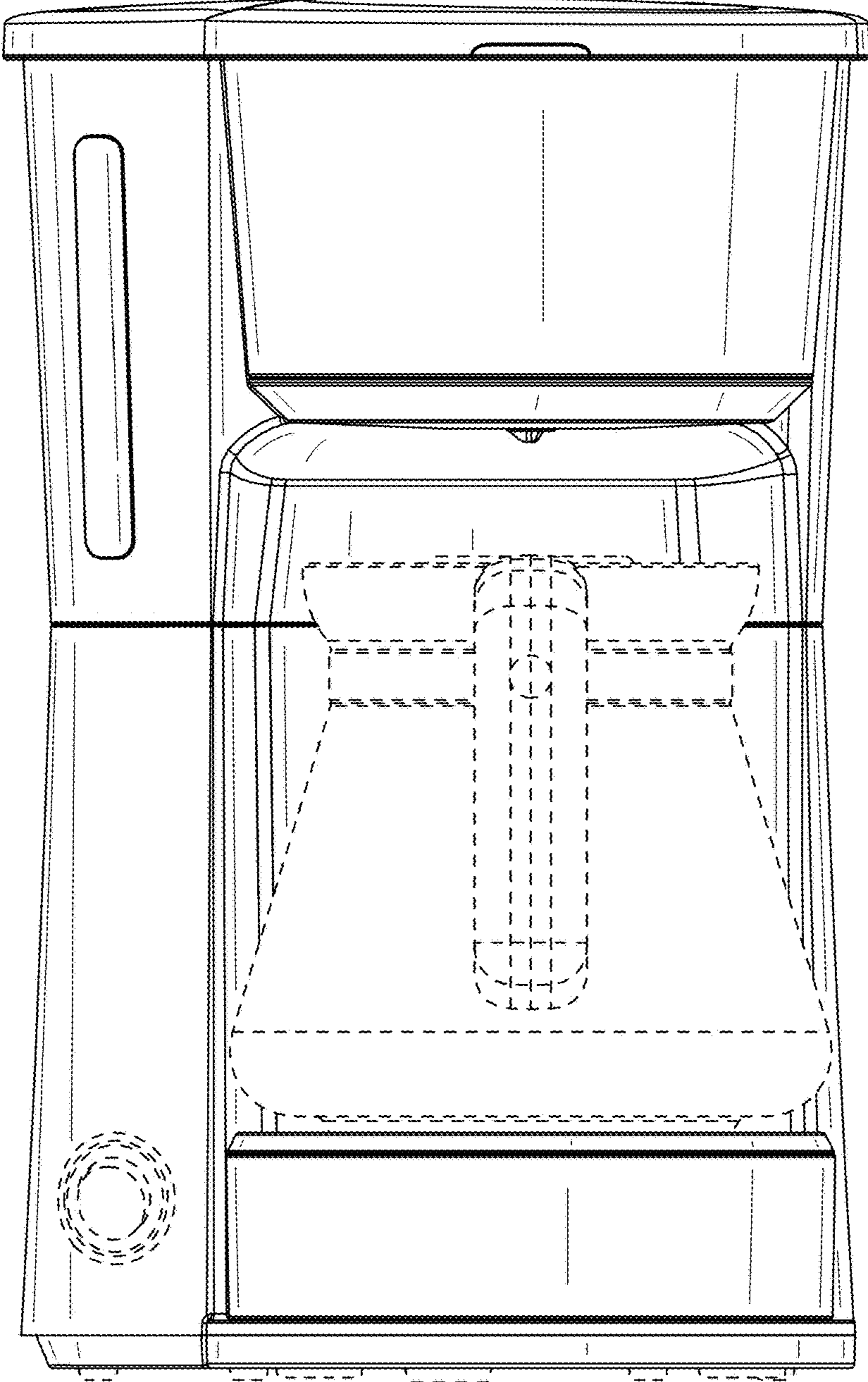


FIG. 2



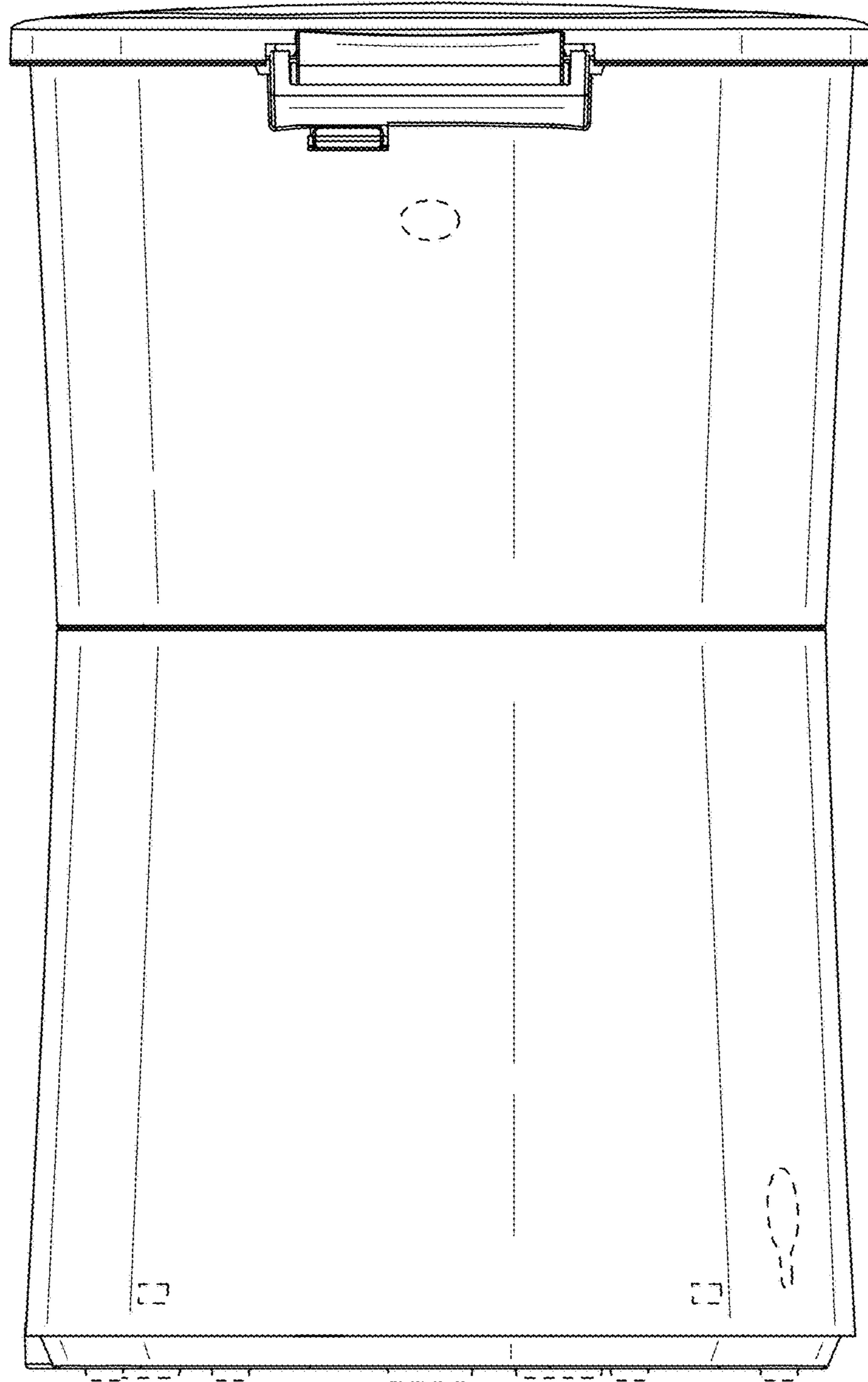


FIG. 3

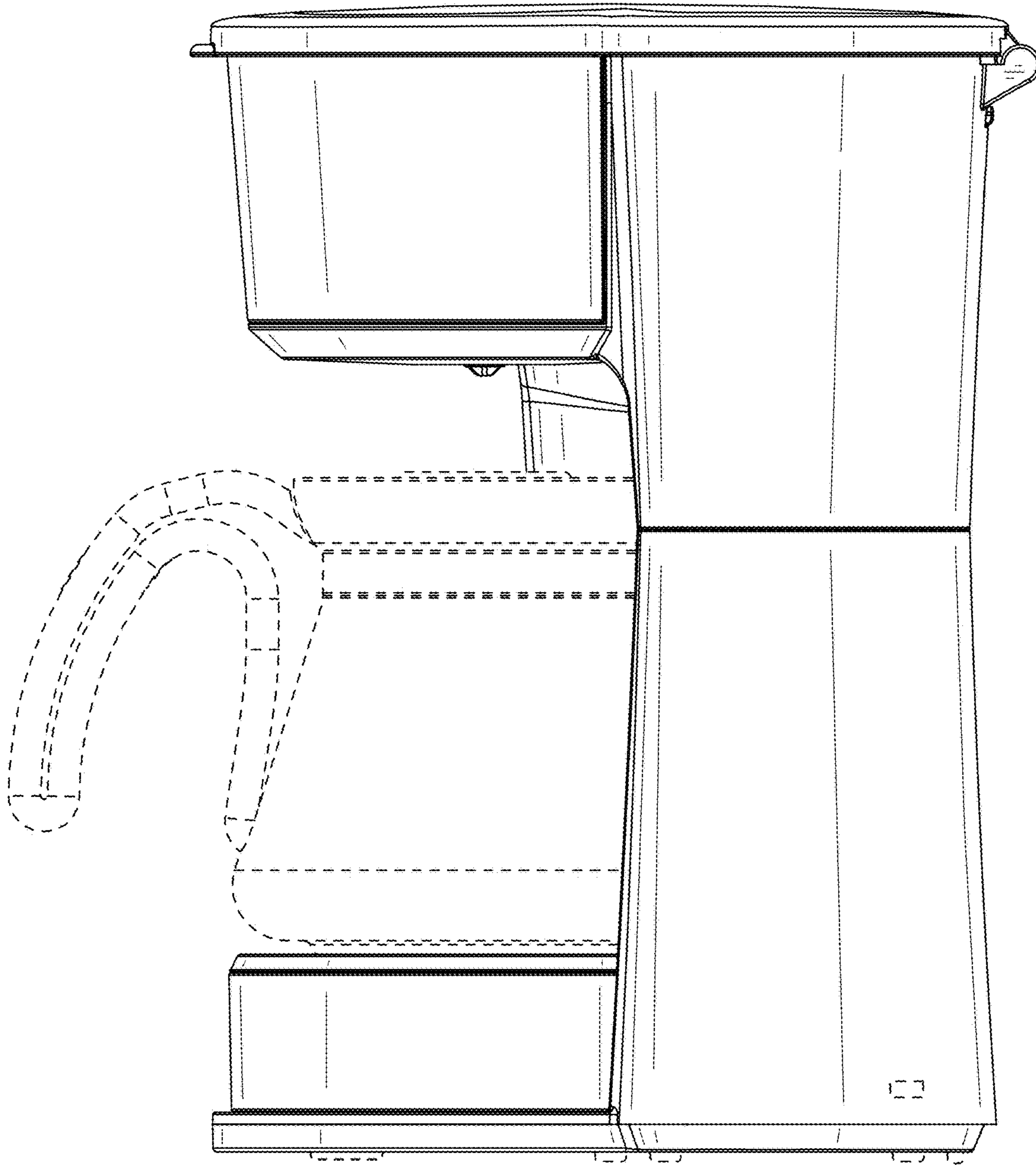


FIG. 4

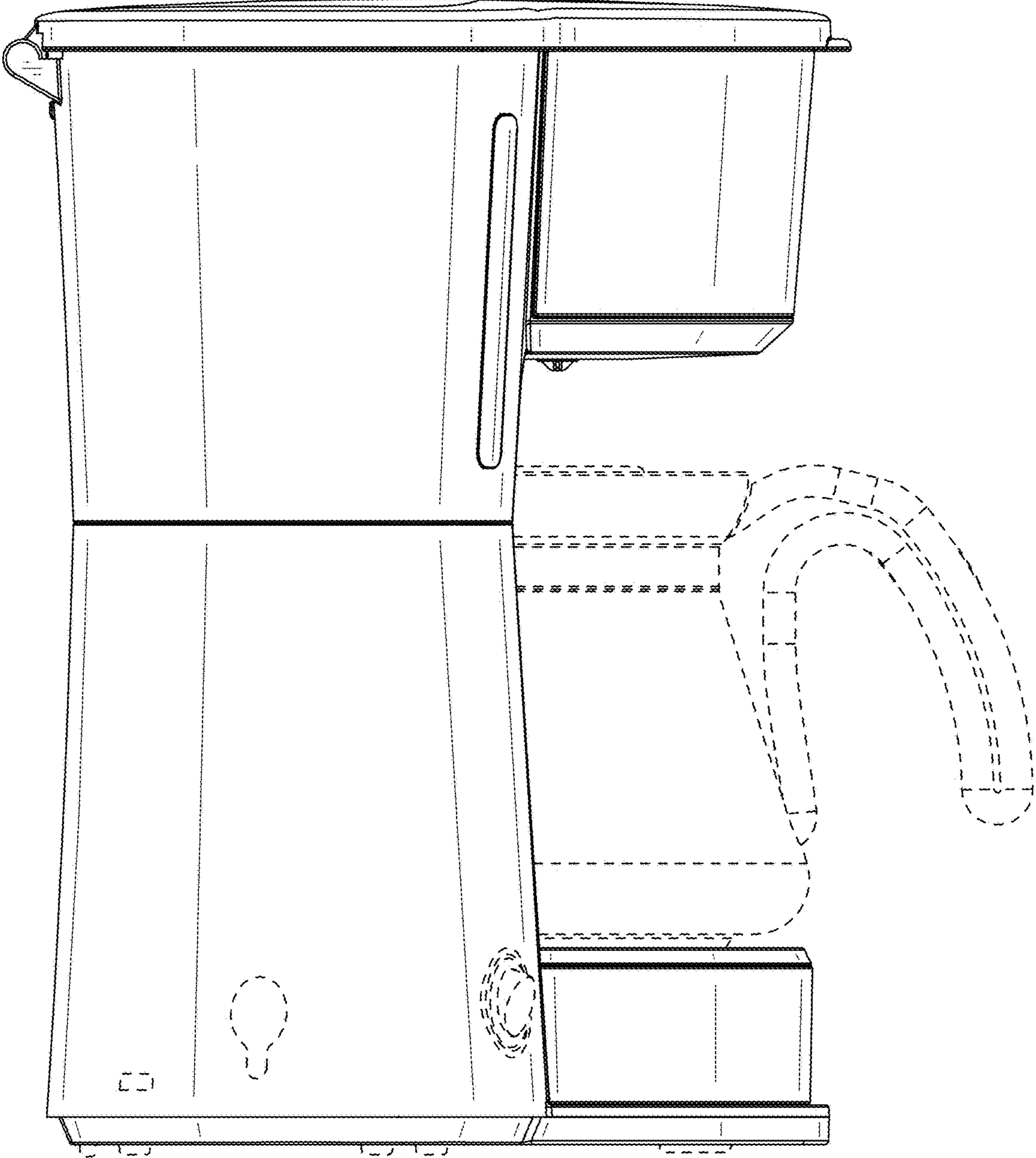


FIG. 5

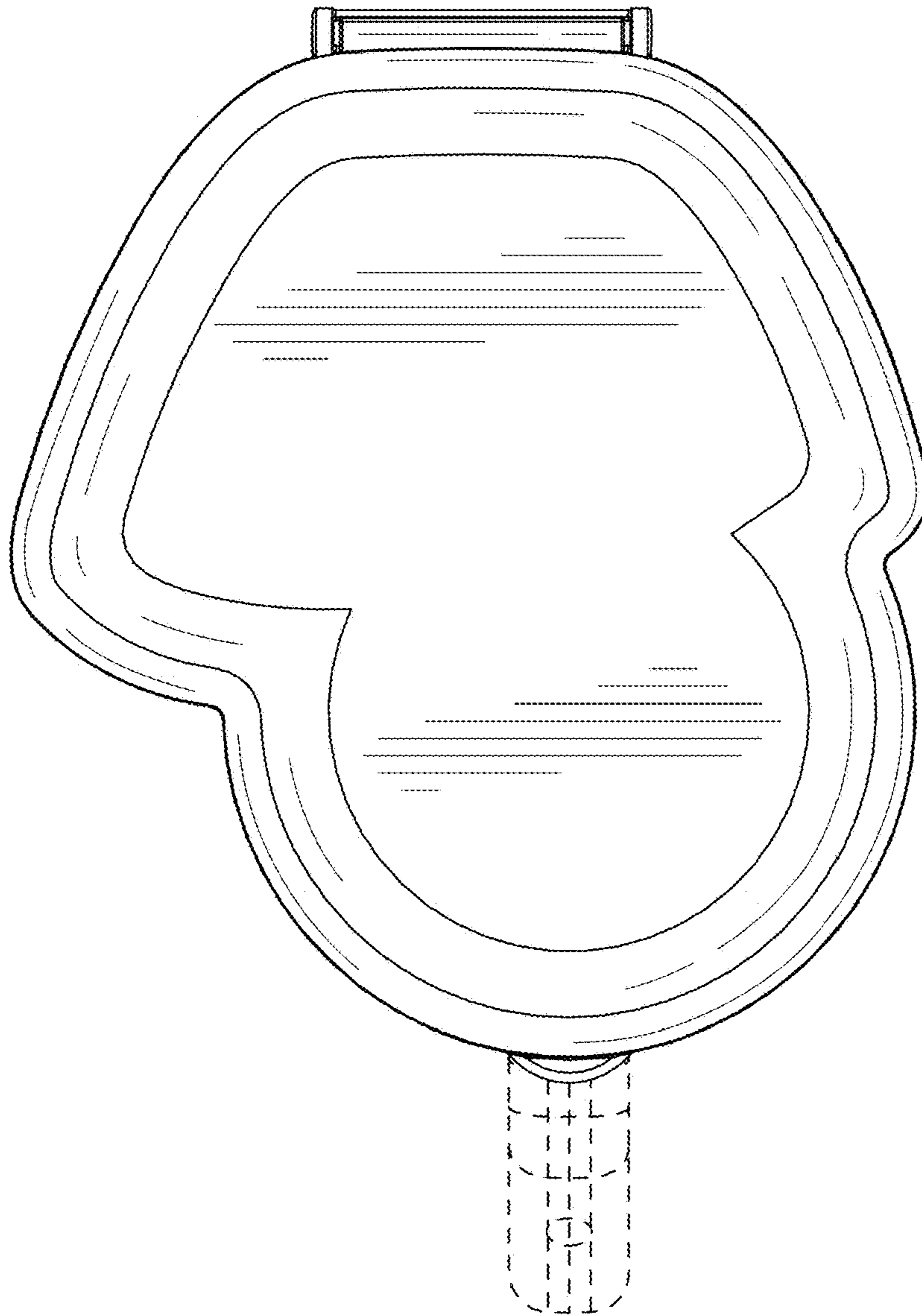


FIG. 6



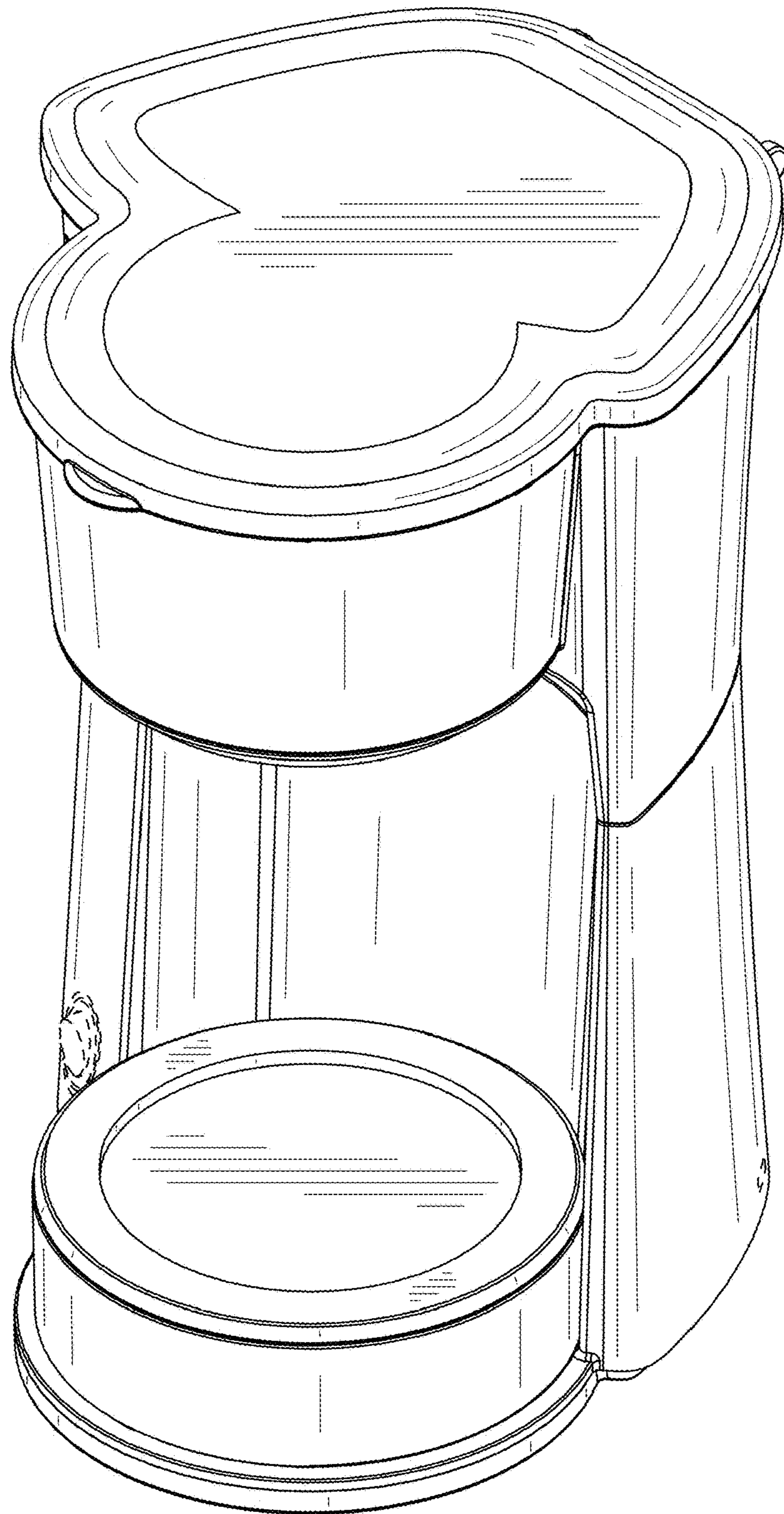


FIG. 7

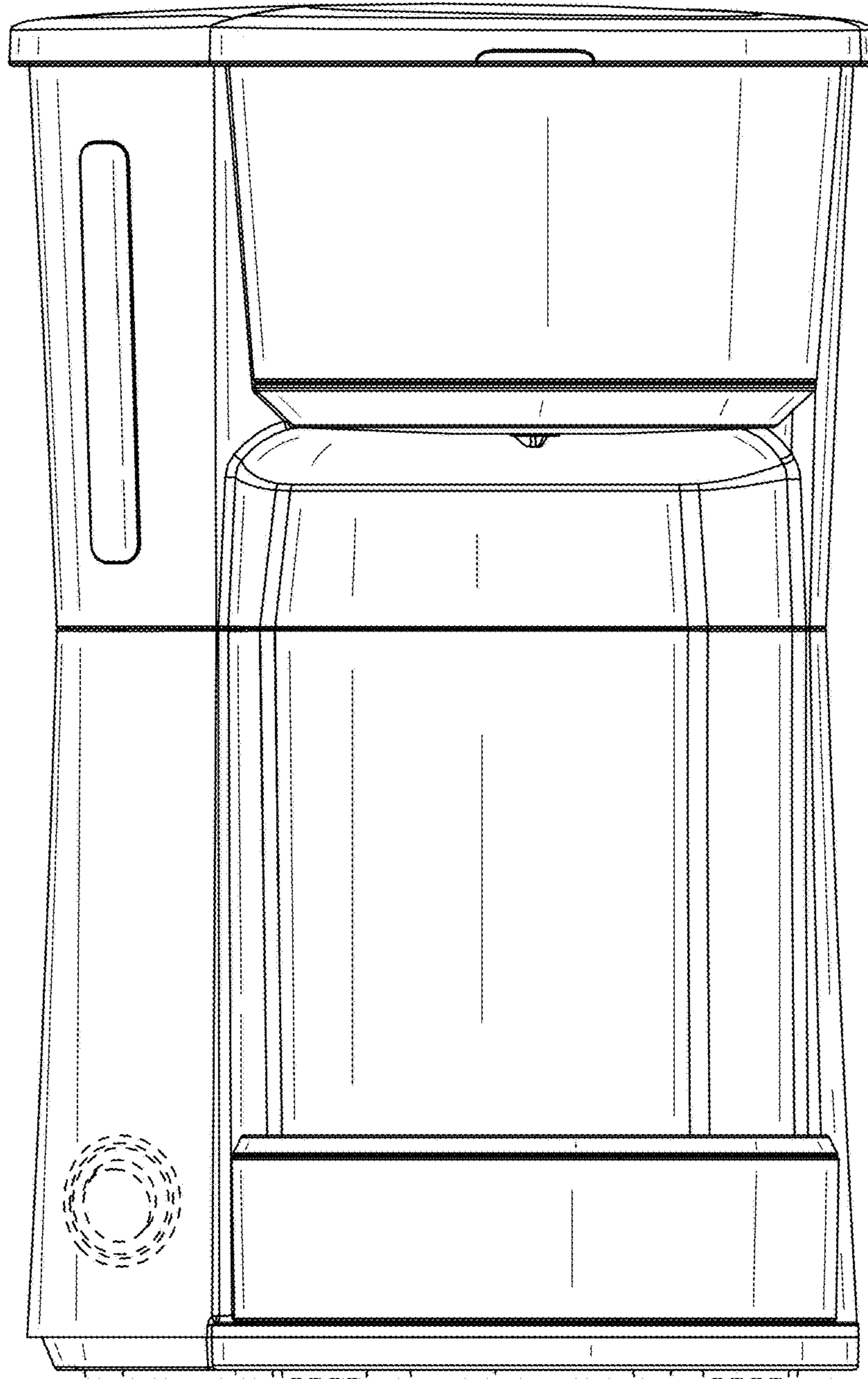


FIG. 8

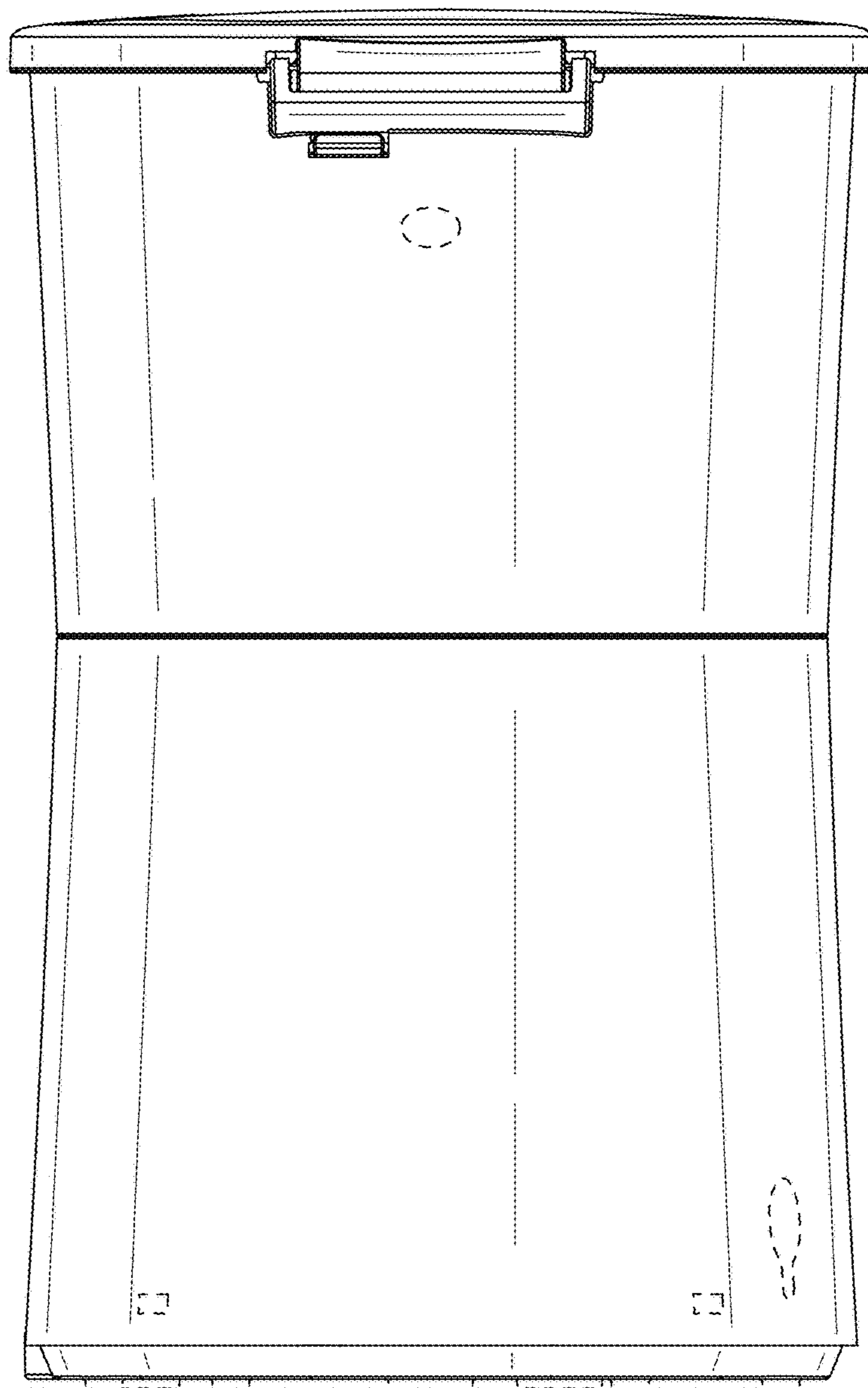


FIG. 9

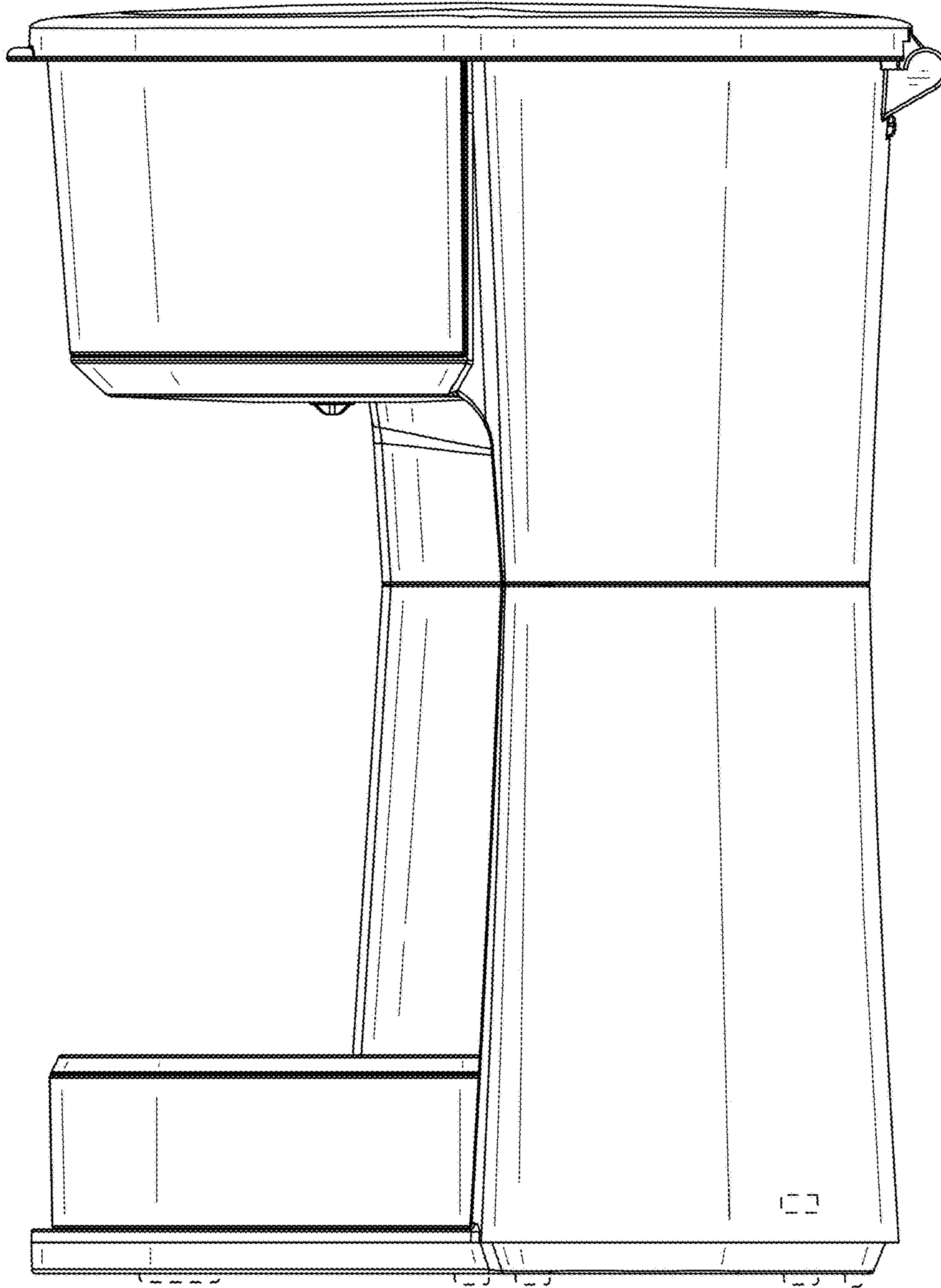


FIG. 10

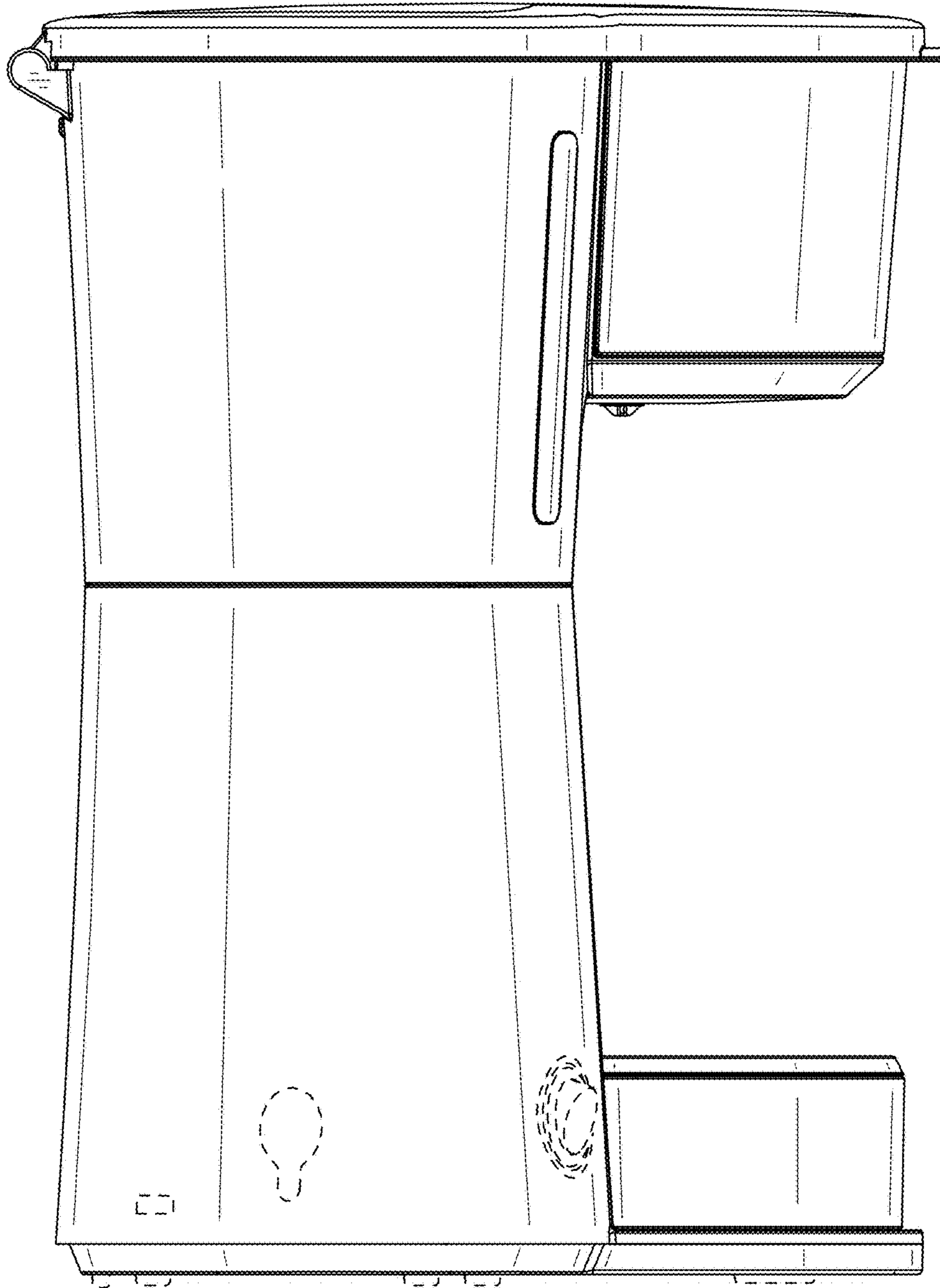


FIG. 11



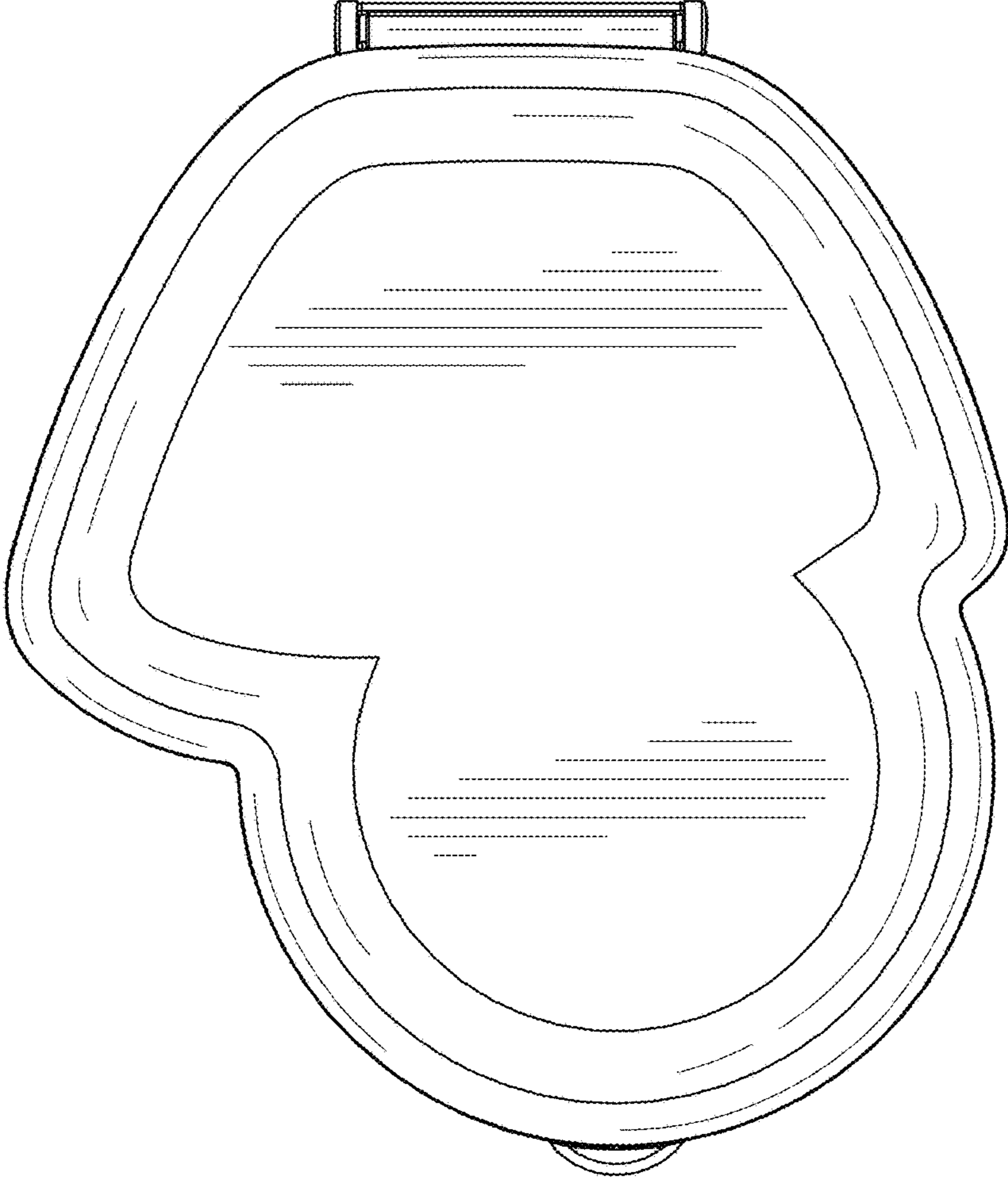


FIG. 12