



US00D845052S

(12) **United States Design Patent**
Flaks et al.

(10) **Patent No.:** **US D845,052 S**

(45) **Date of Patent:** **** Apr. 9, 2019**

(54) **WATER COOLER**

D774,833 S * 12/2016 Likar D7/558
D790,924 S * 7/2017 Hume D7/523
D832,532 S * 10/2018 Geller D30/160

(71) Applicant: **VitaFilta, Inc.**, Roswell, GA (US)

* cited by examiner

(72) Inventors: **Gary Flaks**, Alpharetta, GA (US);
Delon Schermeier, Randburg (ZA)

Primary Examiner — Marianne N Pandozzi

(73) Assignee: **VITAFILTA, INC.**, Roswell, GA (US)

(74) *Attorney, Agent, or Firm* — Smith Gambrell &
Russell LLP; Dale Lischer

(**) Term: **15 Years**

(57) **CLAIM**

(21) Appl. No.: **29/600,400**

The ornamental design for a water cooler, as shown and described.

(22) Filed: **Apr. 12, 2017**

(51) **LOC (11) Cl.** **07-01**

(52) **U.S. Cl.**

USPC **D7/306; D7/311; D7/313**

(58) **Field of Classification Search**

USPC D7/305, 300, 306–311, 313; 99/275

CPC A47J 31/057; A47J 31/54; A47J 31/58;

F25D 31/006; B67D 3/0032

See application file for complete search history.

DESCRIPTION

FIG. 1 is a front perspective view of a water cooler of the present invention.

FIG. 2 is a front elevation view of the water cooler of the present invention.

FIG. 3 is a right side elevation view of the water cooler of the present invention.

FIG. 4 is a left side elevation view of the water cooler of the present invention.

FIG. 5 is a back elevation view of the water cooler of the present invention.

FIG. 6 is a top plan view of the water cooler of the present invention; and,

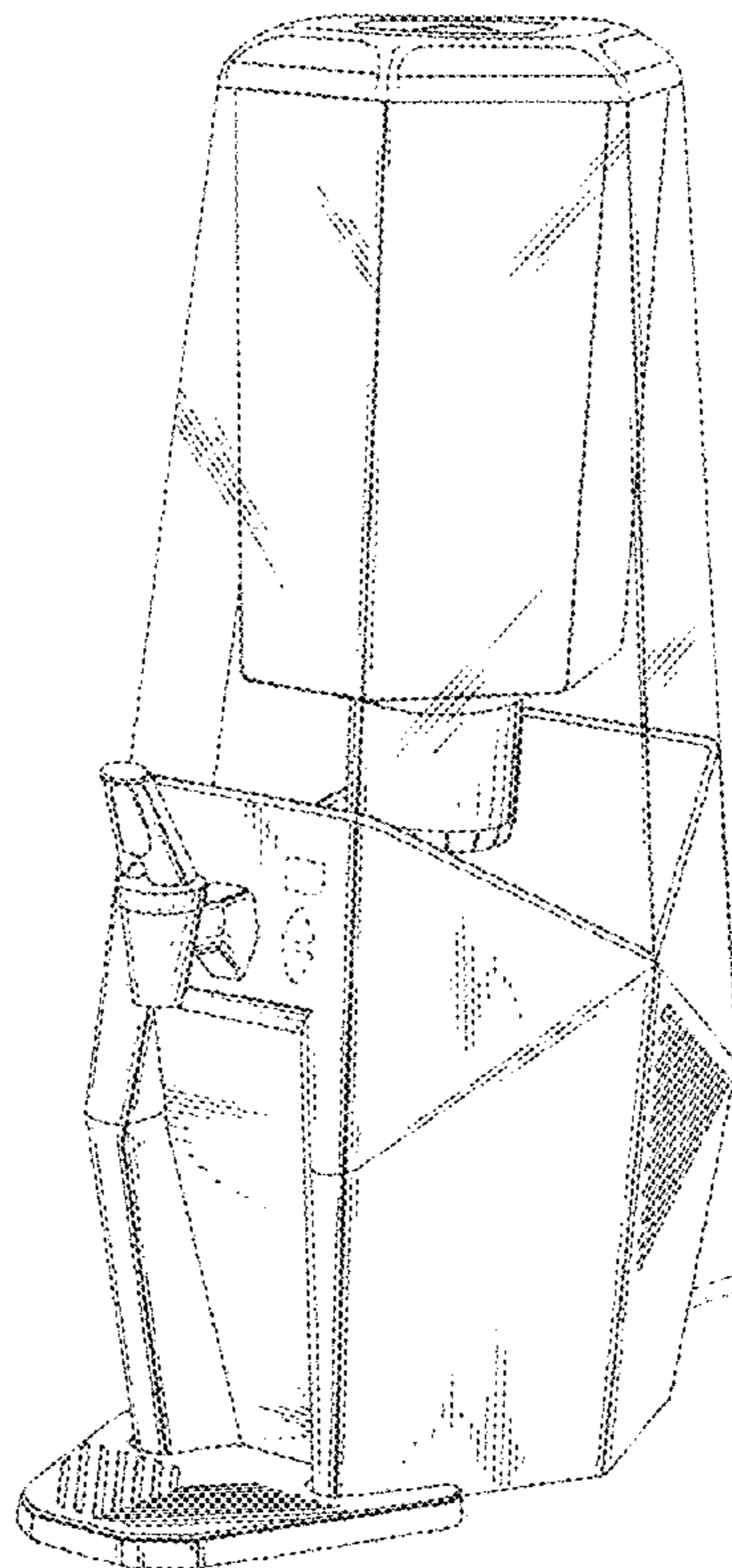
FIG. 7 is a bottom plan view of the water cooler of the present invention.

(56) **References Cited**

U.S. PATENT DOCUMENTS

D531,848 S * 11/2006 Ives D7/301
D543,768 S * 6/2007 Ford D26/104
D568,664 S * 5/2008 Gardner D7/301
D663,154 S * 7/2012 Wang D7/307
8,281,821 B2 * 10/2012 Spear B67D 3/0032
137/581
D708,000 S * 7/2014 Liu D7/306

1 Claim, 6 Drawing Sheets



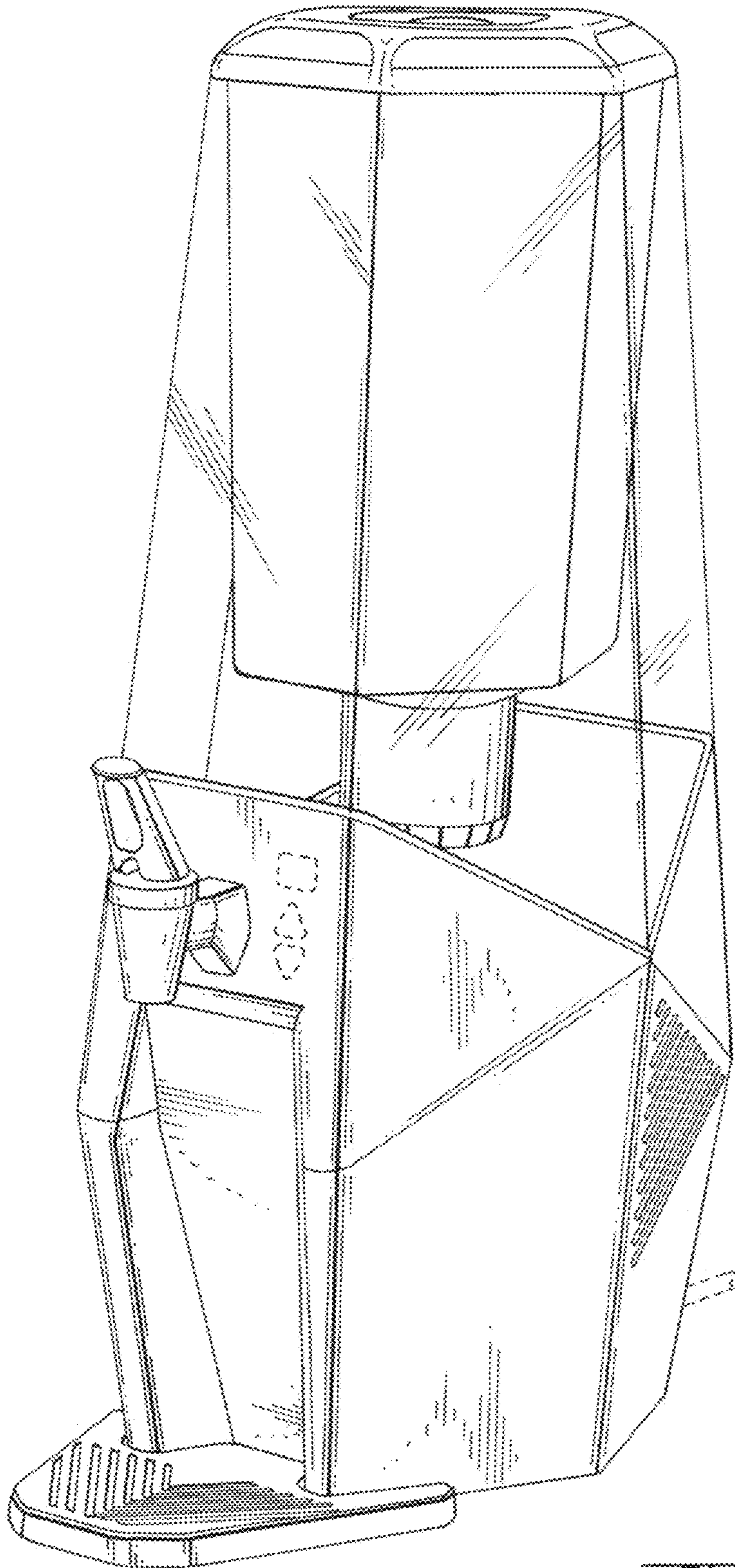


Fig. 1

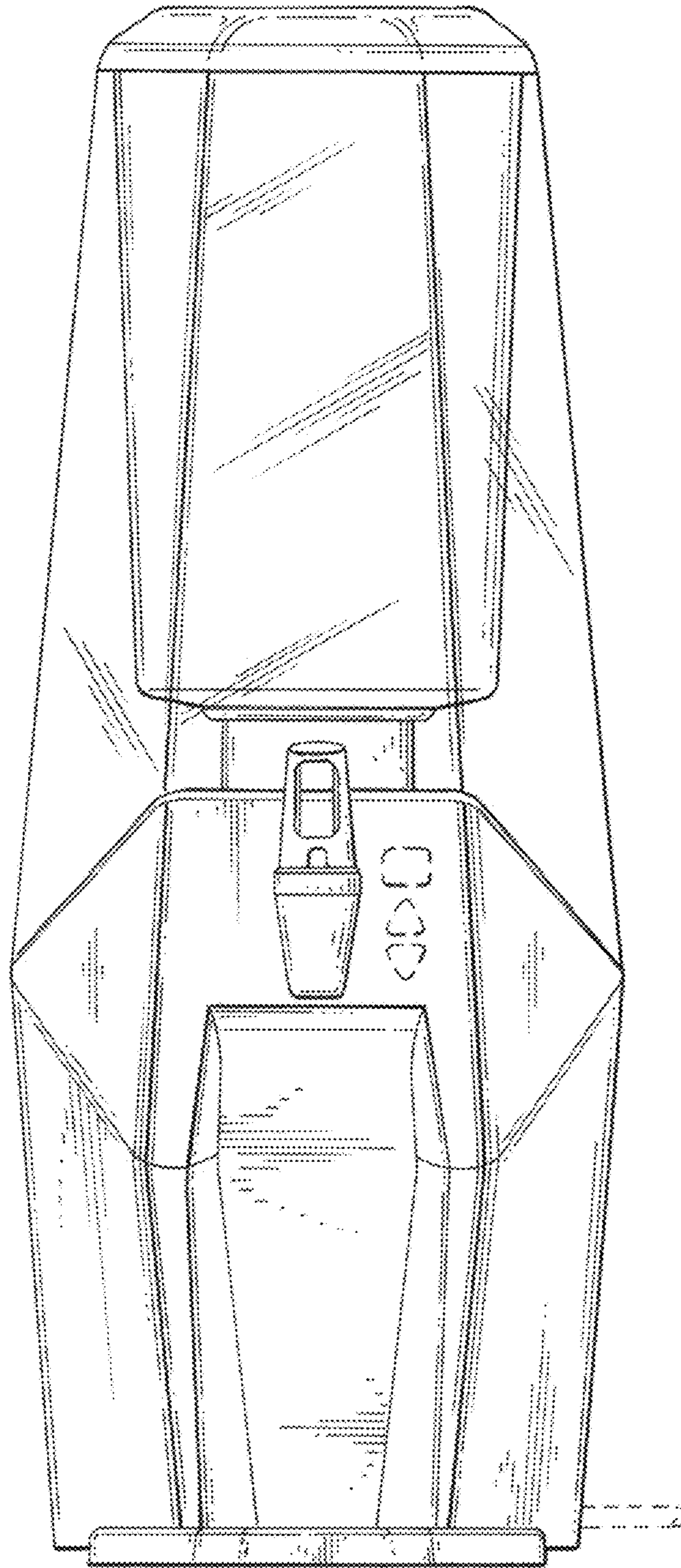


Fig. 2

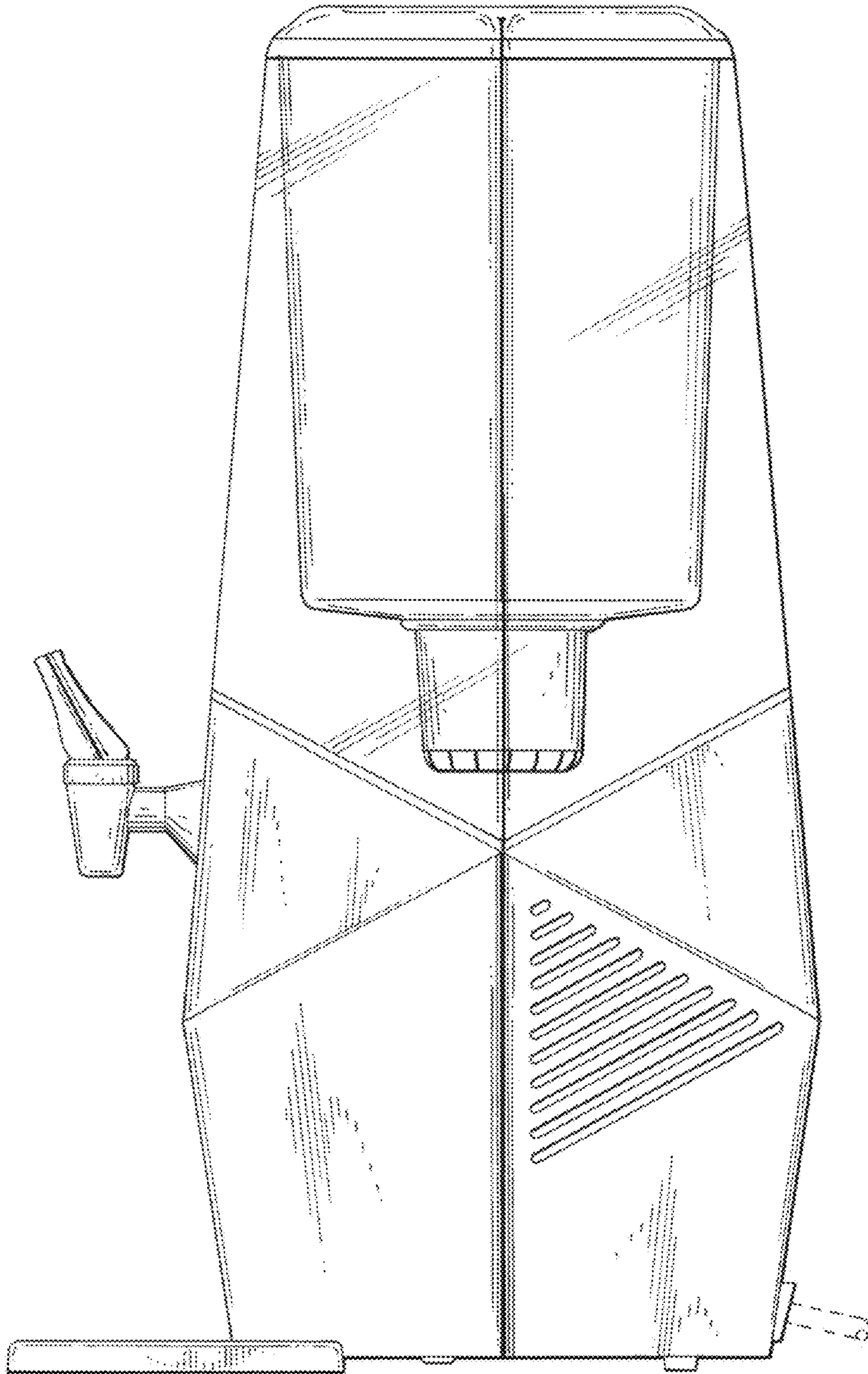


Fig. 3

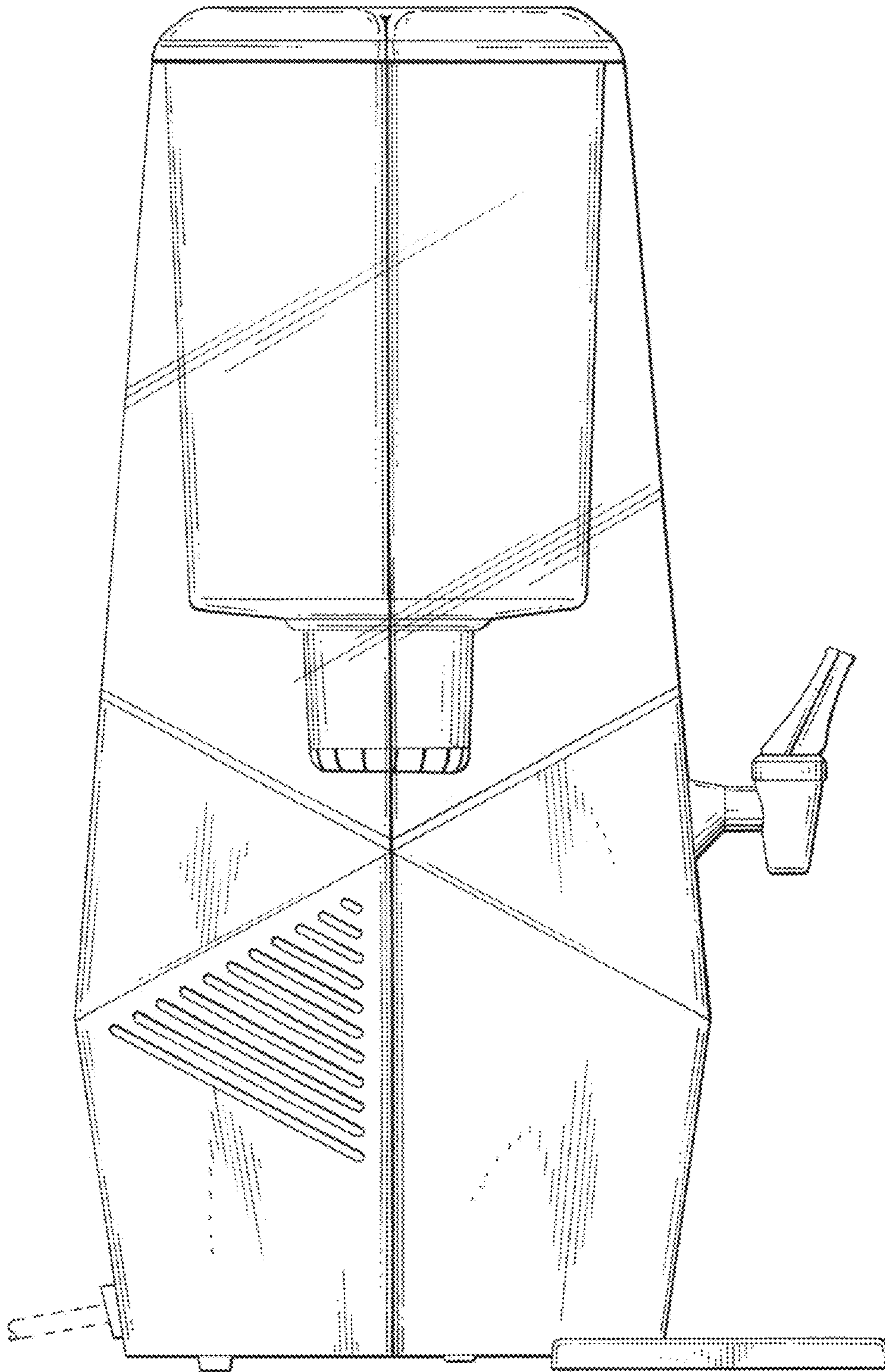


Fig. 4

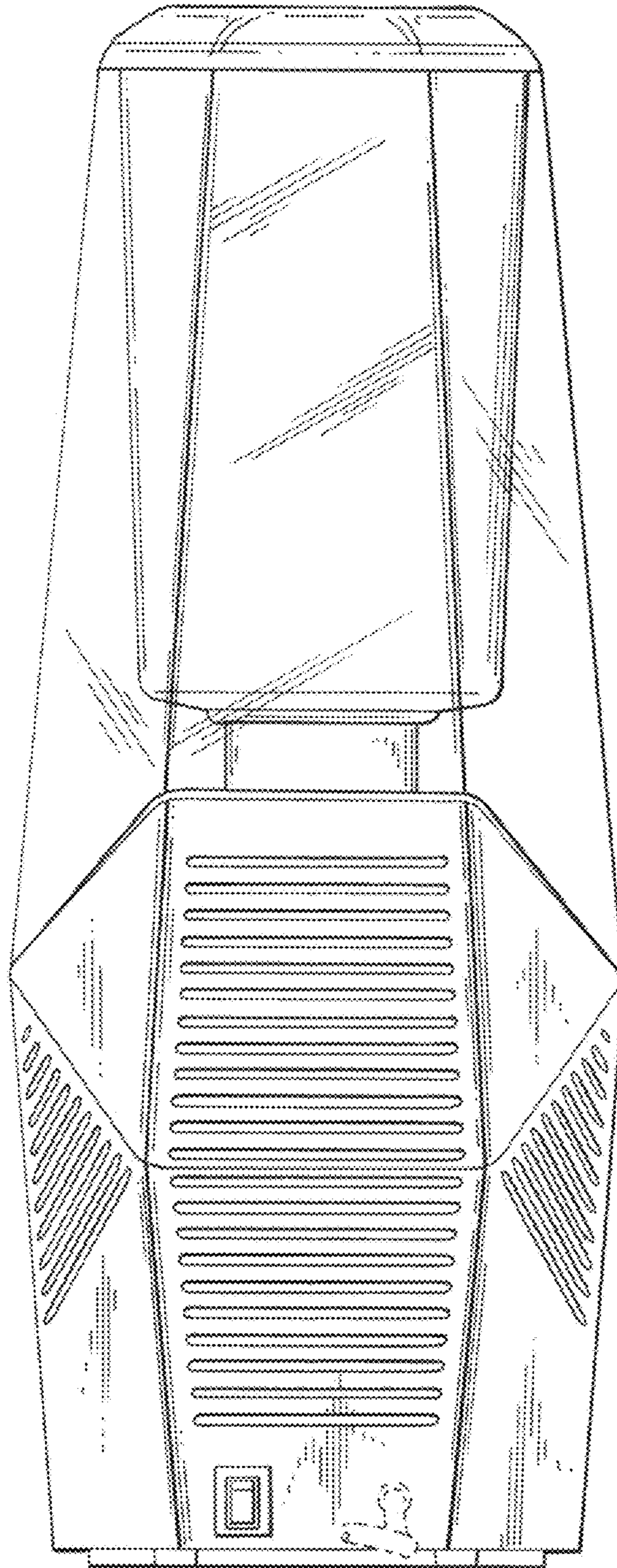


Fig. 5

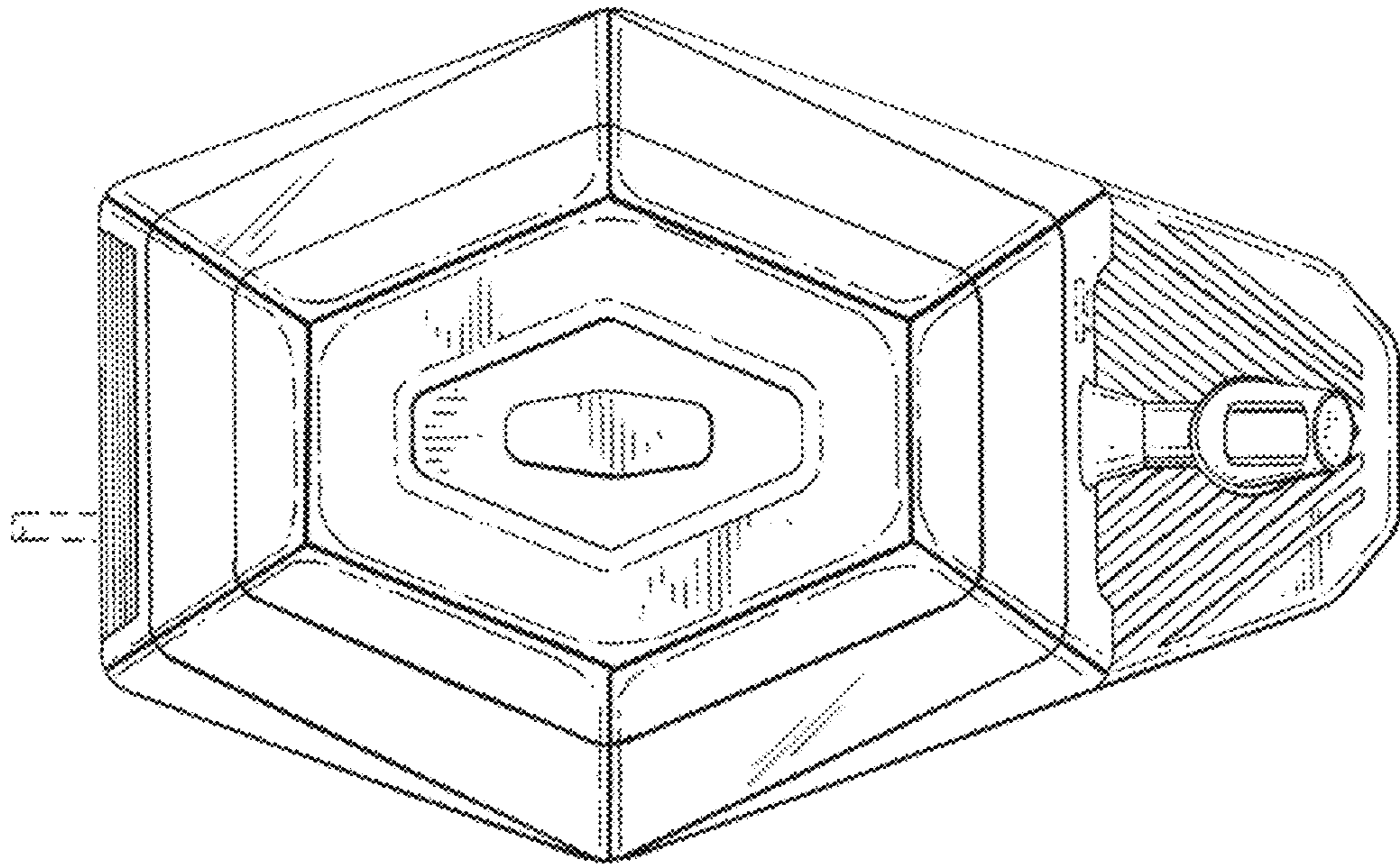


Fig. 6

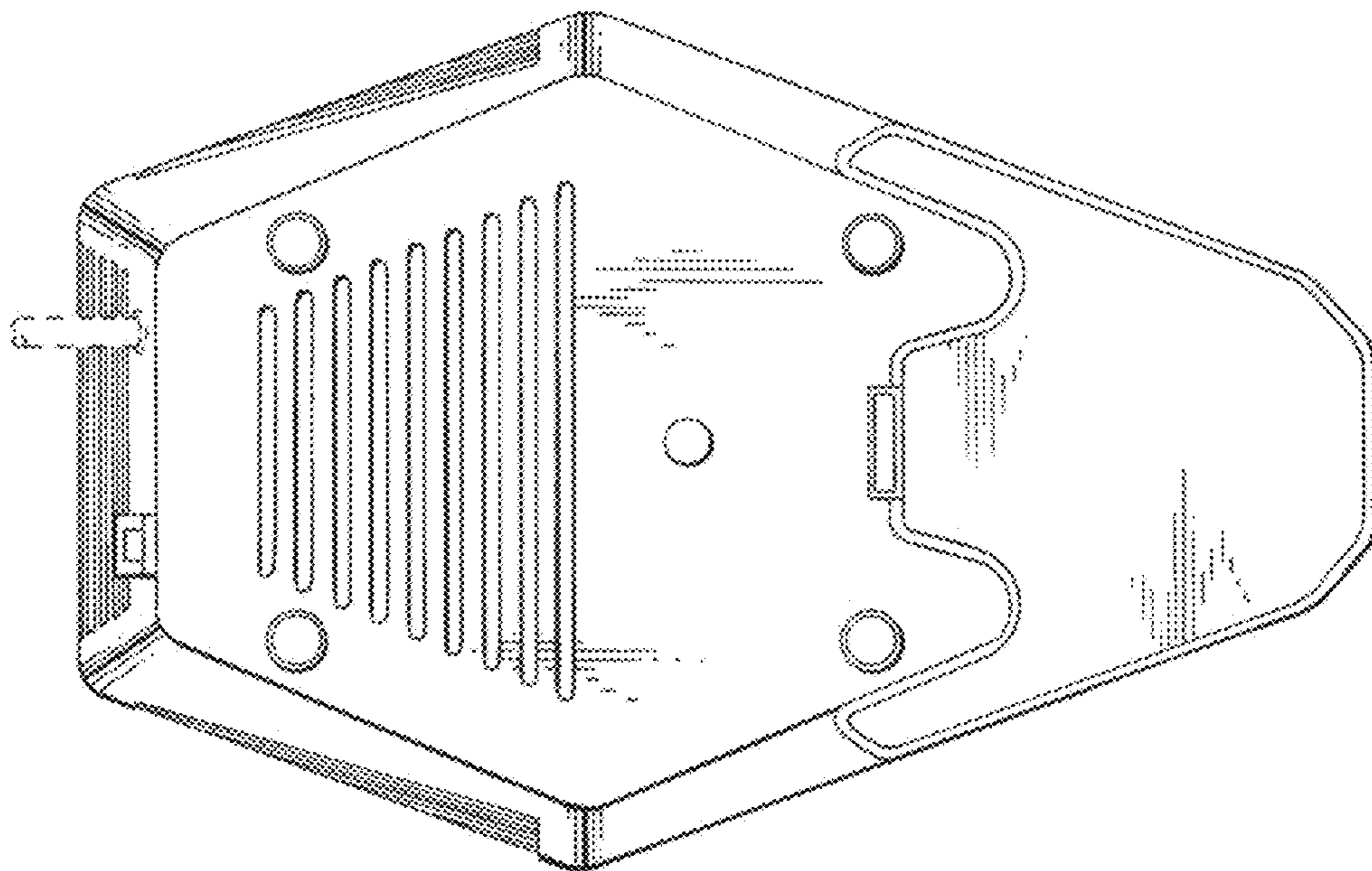


Fig. 7