



US00D845051S

(12) **United States Design Patent** (10) **Patent No.:** **US D845,051 S**
Abadie et al. (45) **Date of Patent:** **** Apr. 9, 2019**

(54) **CHAIR BACK**

- (71) Applicant: **Gary Platt Manufacturing, LLC**,
Reno, NV (US)
- (72) Inventors: **Edmond E. Abadie**, Reno, NV (US);
Daniel J. Waller, Reno, NV (US)
- (73) Assignee: **Gary Platt Manufacturing, LLC**,
Reno, NV (US)
- (**) Term: **15 Years**
- (21) Appl. No.: **29/666,674**
- (22) Filed: **Oct. 15, 2018**

Related U.S. Application Data

- (60) Continuation of application No. 29/660,994, filed on
Aug. 23, 2018, which is a division of application No.
29/561,747, filed on Apr. 19, 2016, now Pat. No. Des.
829,458.
- (51) **LOC (11) Cl.** **06-06**
- (52) **U.S. Cl.**
USPC **D6/716.4**
- (58) **Field of Classification Search**
USPC D6/334, 360, 374, 375, 379, 716.4
CPC A47C 7/00; A47C 7/02; A47C 7/18; A47C
7/24
See application file for complete search history.

(56) **References Cited**

U.S. PATENT DOCUMENTS

1,220,642	A *	3/1917	Kilburn	A47C 5/04 297/451.1
D171,521	S *	2/1954	Taffae	D6/334
3,556,591	A *	1/1971	Smith	A47C 16/02 297/270.5
3,907,363	A *	9/1975	Baker	A47C 3/026 297/440.2
D255,184	S *	6/1980	Locher	D6/375
D297,890	S *	10/1988	Hockenberry	A47C 9/00 D6/367

(Continued)

OTHER PUBLICATIONS

United States Patent and Trademark Office, "Notice of Allowance,"
issued in connection with U.S. Appl. No. 29/561,747, dated Aug. 15,
2018, 14 pages.

(Continued)

Primary Examiner — George D. Kirschbaum

Assistant Examiner — Joseph J Kukella

(74) *Attorney, Agent, or Firm* — Hanley, Flight and
Zimmerman, LLC

(57) **CLAIM**

The ornamental design for a chair back, substantially as
shown and described.

DESCRIPTION

A portion of the disclosure of this patent document contains
material for which a claim for copyright is made. The
copyright owner has no objection to the facsimile reproduc-
tion by anyone of the patent document or the patent disclo-
sure, as it appears in the US Patent and Trademark Office
patent file or records, but reserves all other copyrights
whatsoever.

FIGS. 1-7 show different views of an ornamental design for
a back of a gaming chair, namely:

FIG. 1 is an upper perspective view of an ornamental design
for a chair back;

FIG. 2 is a right elevation view thereof;

FIG. 3 is a left elevation view thereof;

FIG. 4 is a front view thereof;

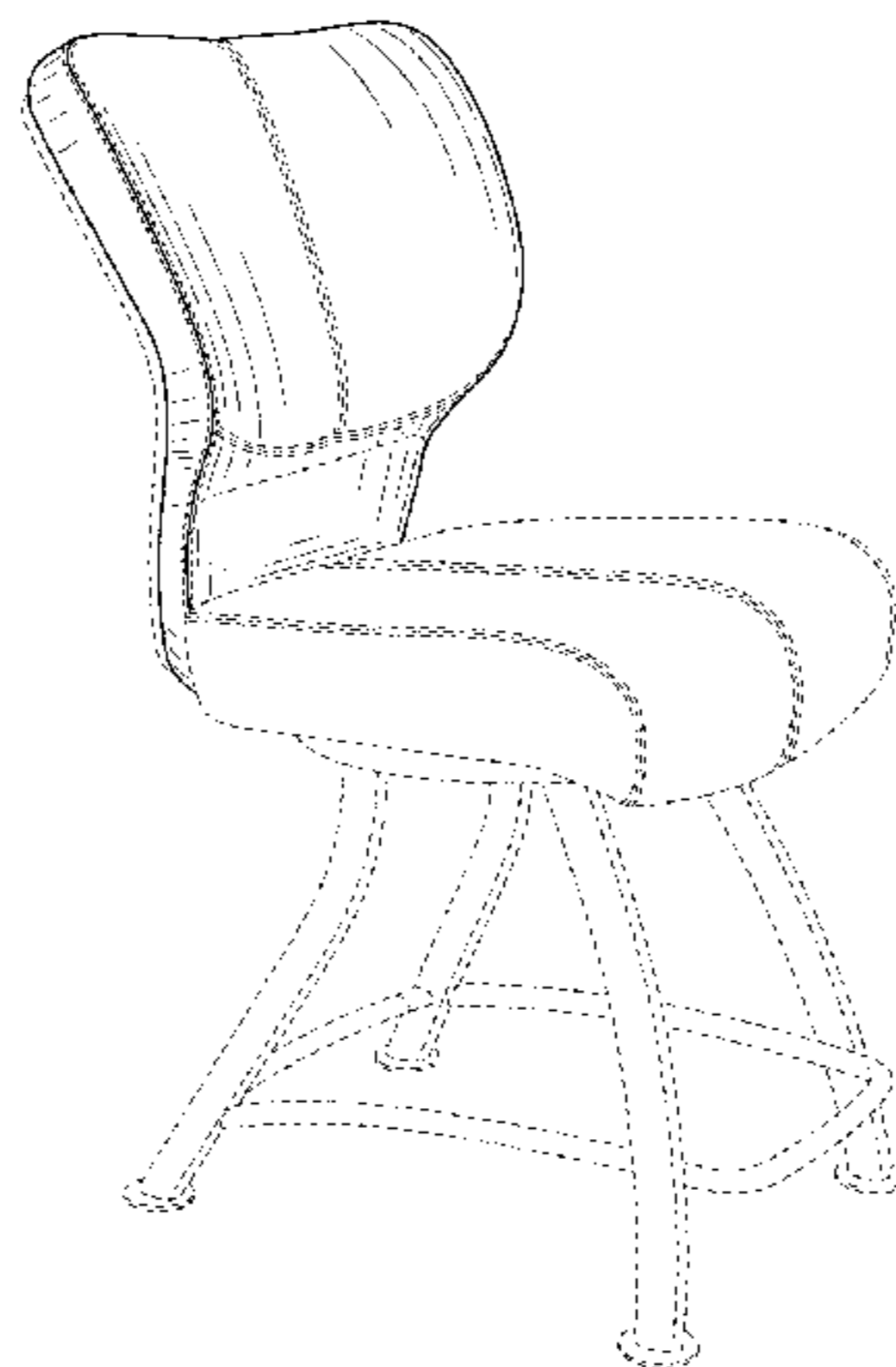
FIG. 5 is a rear view thereof;

FIG. 6 is a top view thereof; and,

FIG. 7 is a bottom view thereof.

In the drawings, all styles of broken lines depict portions of
the chair back that form no part of the claimed design.

1 Claim, 4 Drawing Sheets



(56)

References Cited

U.S. PATENT DOCUMENTS

D315,836 S 4/1991 Kaiser
 5,102,192 A * 4/1992 Barile, Sr. A47C 15/004
 248/501
 D333,733 S 3/1993 Sammons
 D341,045 S * 11/1993 Barile D6/716.4
 D344,195 S 2/1994 Hare
 D345,477 S * 3/1994 Infanti A47C 15/004
 D6/716.4
 D347,334 S 5/1994 Fewchuk
 5,542,748 A * 8/1996 Barile A47C 9/00
 248/500
 D411,699 S 6/1999 Bond et al.
 D421,187 S 2/2000 Kaiser
 D433,855 S * 11/2000 Turner D6/716.4
 D441,557 S 5/2001 Glass
 D444,636 S * 7/2001 Ooyama A47C 3/026
 D6/360
 D502,013 S 2/2005 Kaiser
 D502,014 S 2/2005 Kaiser
 D507,893 S 8/2005 Glass et al.
 D517,357 S 3/2006 Gasser
 D520,782 S * 5/2006 Glass A47C 16/02
 D6/716.4
 D536,548 S * 2/2007 Peitz A47C 5/04
 D6/374
 D541,069 S 4/2007 Peitz et al.

D562,020 S 2/2008 Massaud
 D573,804 S 7/2008 Bartlmae
 D599,129 S 9/2009 Opsvik
 D603,616 S 11/2009 Kubryk
 D614,416 S 4/2010 Garzon
 7,832,799 B2 11/2010 Davis, Jr. et al.
 D646,513 S * 10/2011 Mezzera D6/716.4
 D656,328 S 3/2012 Samuel et al.
 D662,183 S 6/2012 Sieger
 D679,512 S 4/2013 Lade
 D680,763 S 4/2013 Ouchi
 D681,353 S 5/2013 Lade
 D683,558 S 6/2013 Rada et al.
 D686,858 S 7/2013 Fletcher
 D701,054 S 3/2014 Lee
 D729,563 S 5/2015 Kubryk
 D743,180 S 11/2015 Mehaffey et al.
 2002/0053822 A1 5/2002 Ware et al.
 2005/0242651 A1 11/2005 Peitz et al.

OTHER PUBLICATIONS

NIGA Tradeshow & Convention, Phoenix, AZ, Mar. 24-27, 2013, Booth #945, retrieved from <http://www.icontact-archive.com/e7t1CYWWjUYQB-9KN9CTVTg7ILnQrvWK?w=1>, 2 pages.
 The Lido Revolutionizes Casino Seating Your Casino Insider, Oct. 10, 2014, retrieved from <https://exclusivelycasinos.wordpress.com/2014/10/10/lidox2series/>, 1 page.

* cited by examiner

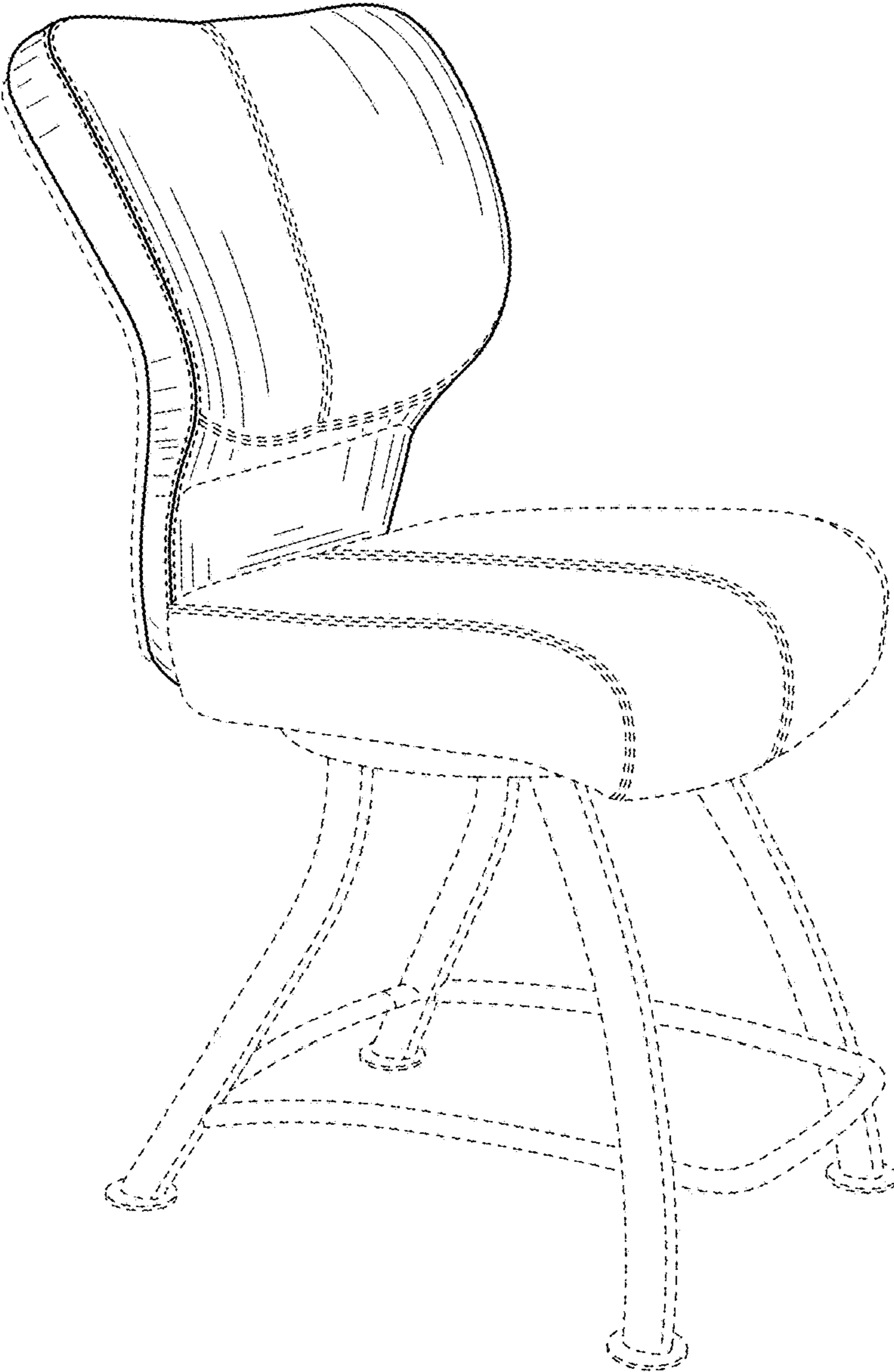


FIG. 1

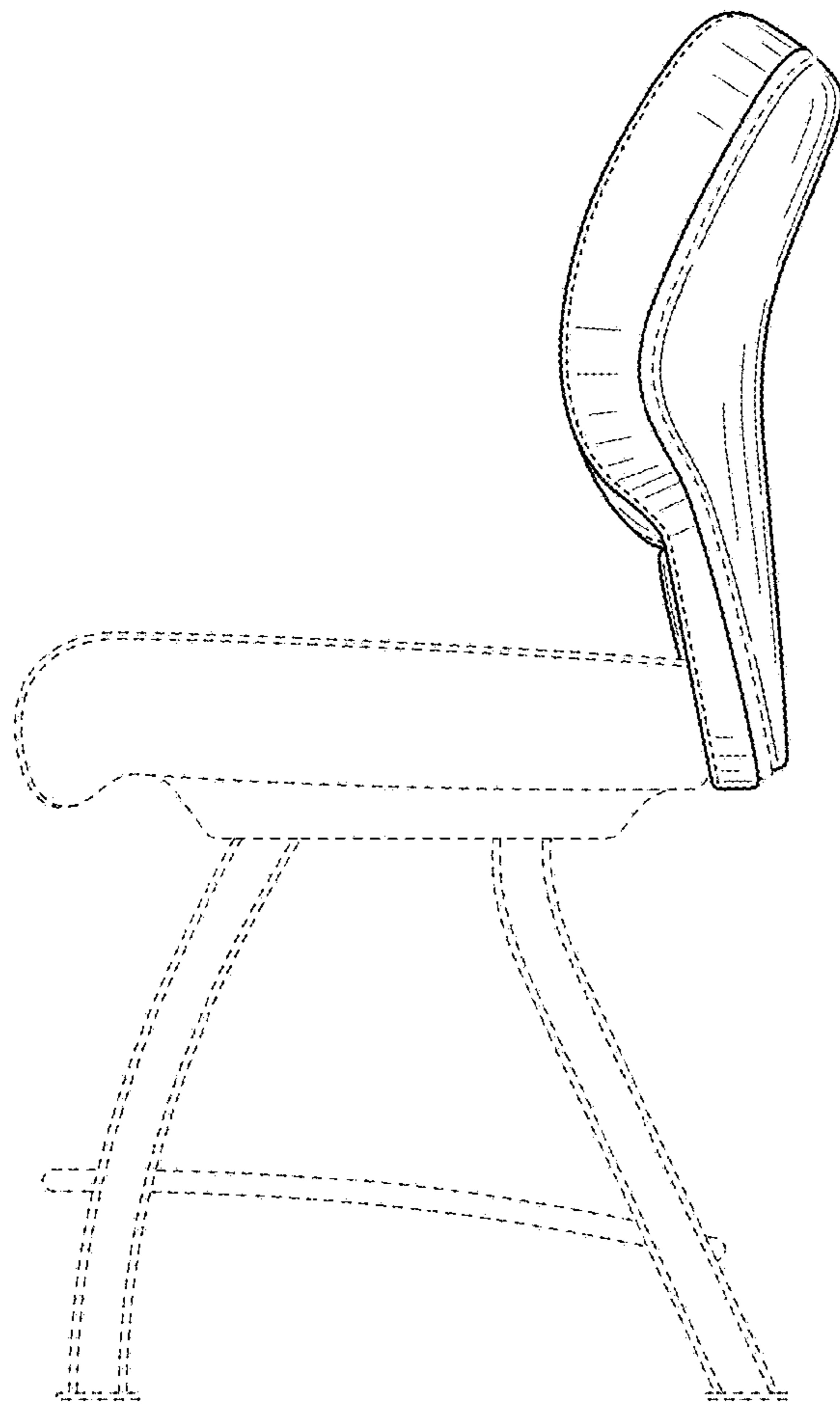


FIG. 2

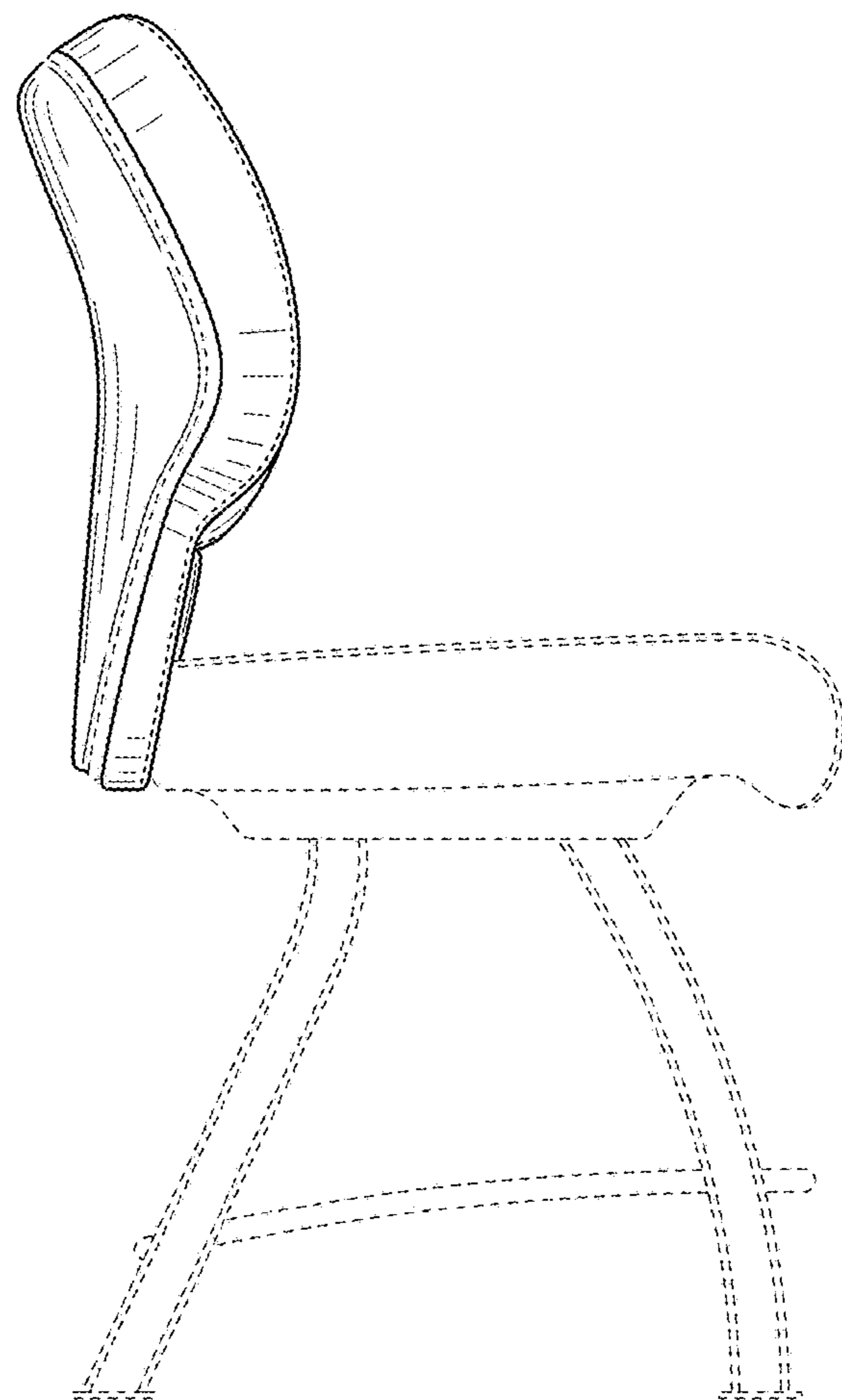


FIG. 3

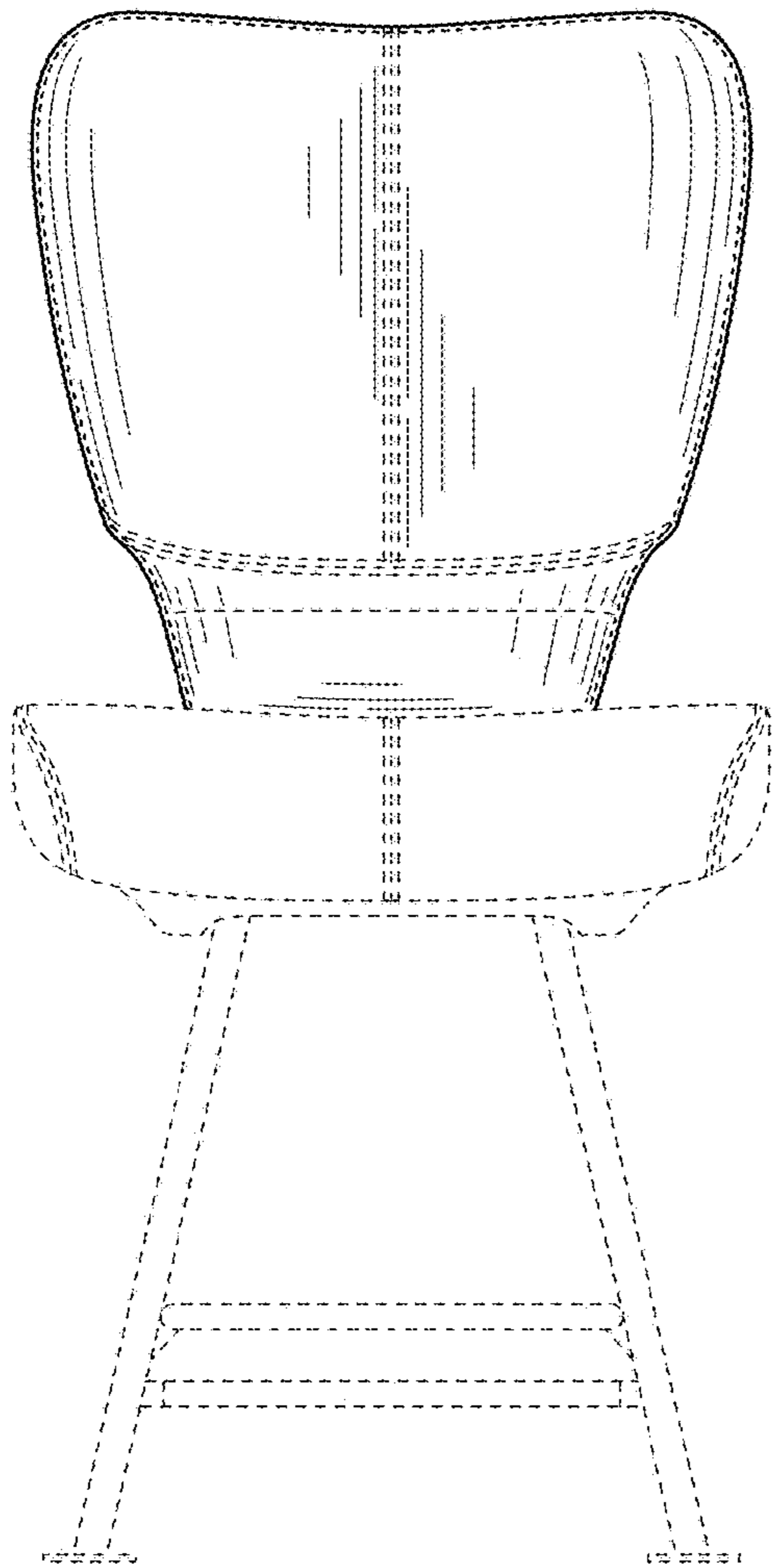


FIG. 4

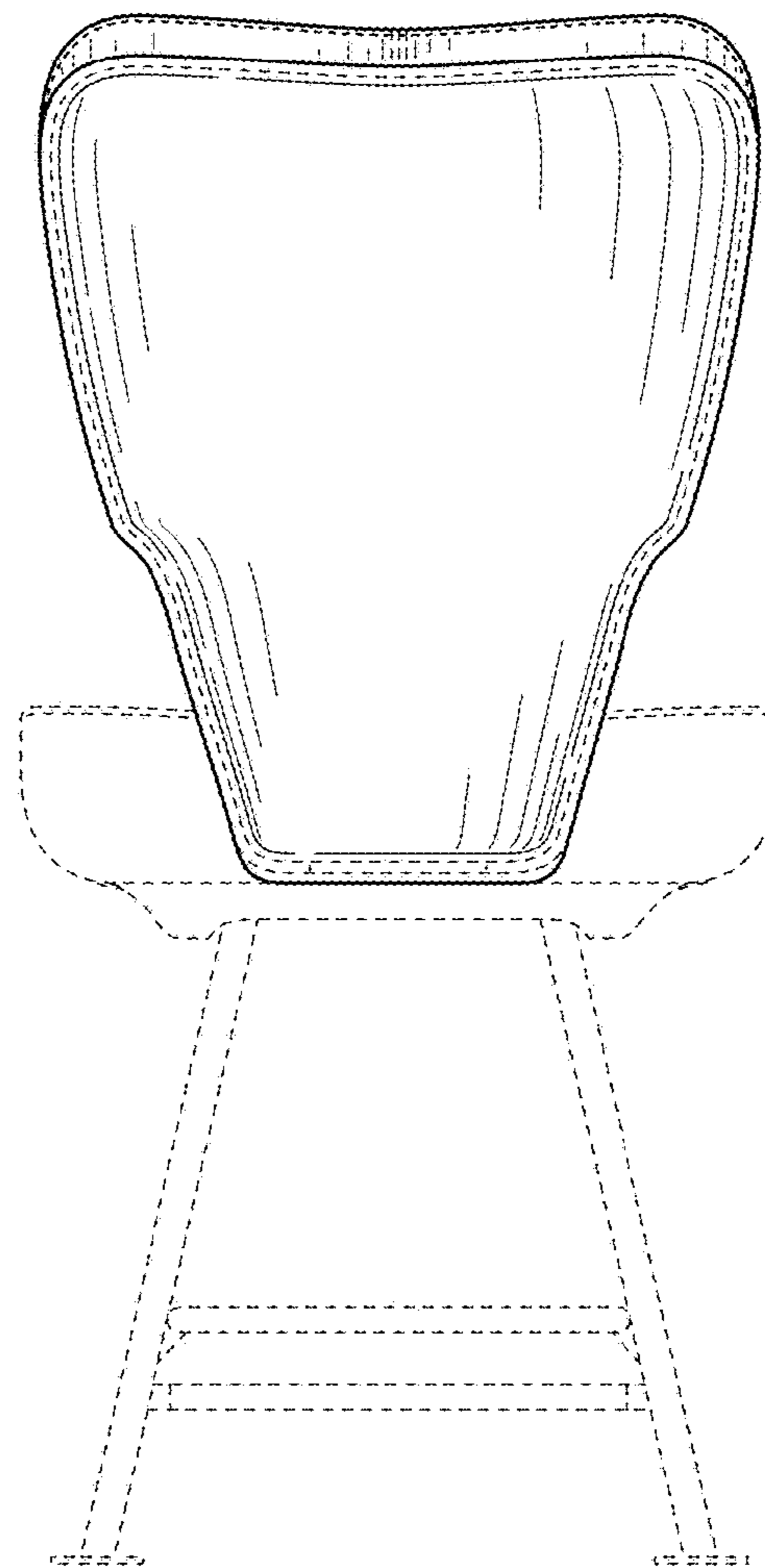


FIG. 5

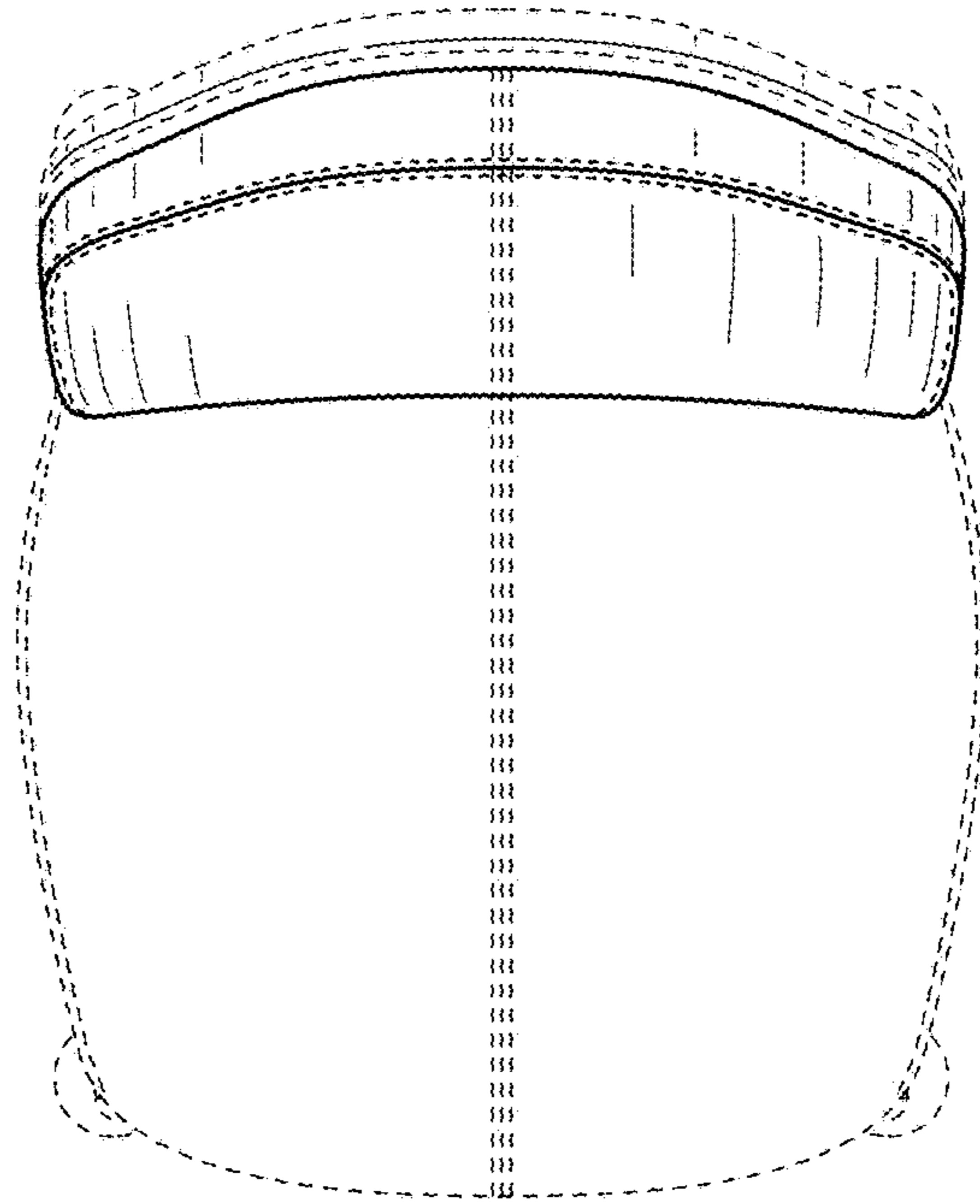


FIG. 6

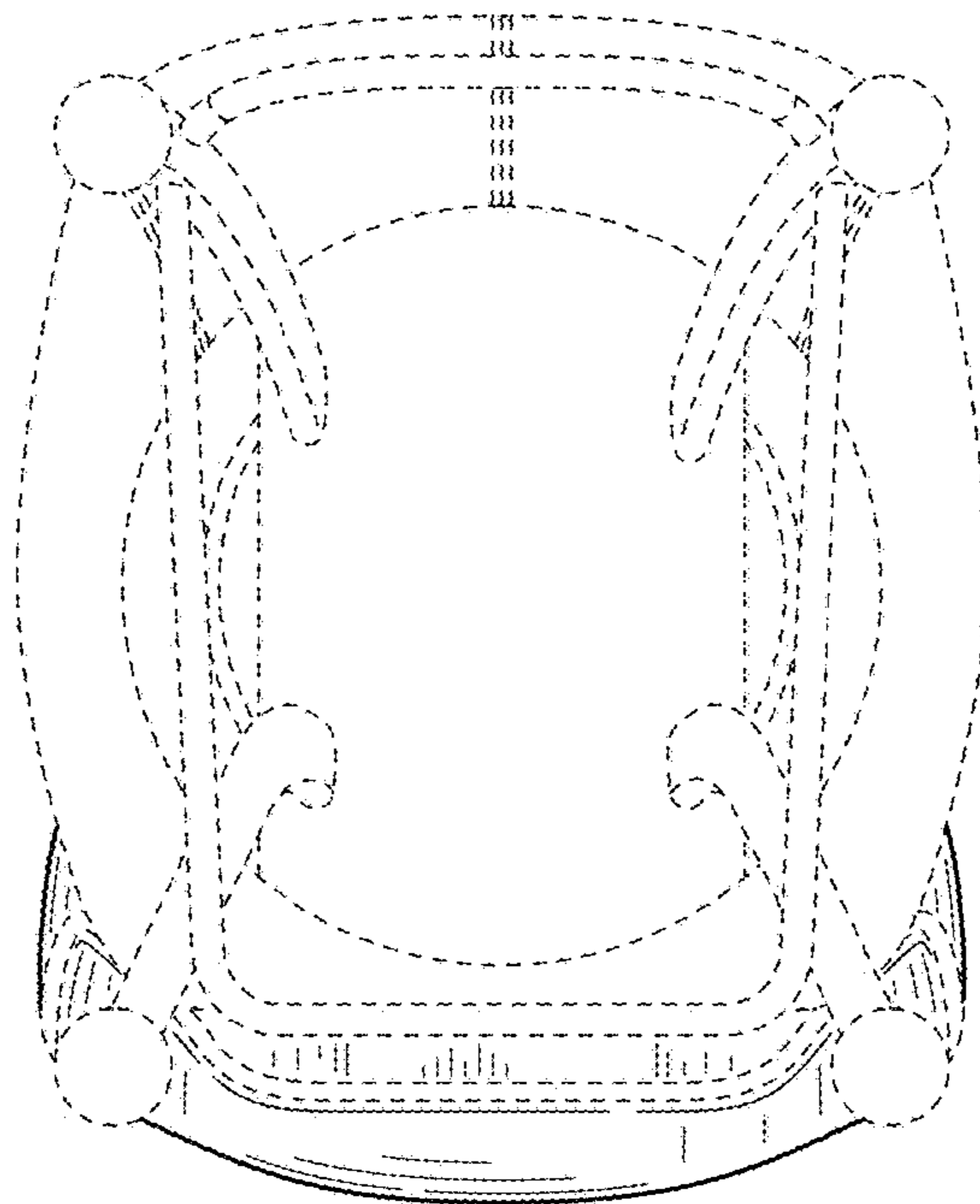


FIG. 7