



US00D845050S

(12) **United States Design Patent**  
**Chadwick et al.**

(10) **Patent No.:** **US D845,050 S**  
(45) **Date of Patent:** **\*\* Apr. 9, 2019**

(54) **CHAIR AND CHAIR COMPONENTS**

(71) Applicant: **Herman Miller, Inc.**, Zeeland, MI (US)

(72) Inventors: **Don Chadwick**, Los Angeles, CA (US);  
**Jeffrey Koffman**, Santa Monica, CA (US)

(73) Assignee: **Herman Miller, Inc.**, Zeeland, MI (US)

(\*\*) Term: **15 Years**

(21) Appl. No.: **29/567,875**

(22) Filed: **Jun. 13, 2016**

(51) **LOC (11) Cl.** ..... **06-01**

(52) **U.S. Cl.**  
USPC ..... **D6/716.4**

(58) **Field of Classification Search**  
USPC ..... D6/334-336, 364, 365, 366, 374, 379,  
D6/380, 716, 716.1, 716.2, 716.4, 708.23,  
D6/708.24  
CPC .. A47C 7/54; A47C 3/24; A47C 7/022; A47C  
7/40; A47C 7/46; A47C 7/462; A47C  
7/24; A47C 7/004; B60N 2/66; B60N  
2/663; B60N 2/665; B60N 2/667  
See application file for complete search history.

(56) **References Cited**

U.S. PATENT DOCUMENTS

D346,279 S	4/1994	Stumpf et al.	
D377,431 S	1/1997	Stumpf et al.	
D386,023 S	11/1997	Stumpf et al.	
5,863,095 A *	1/1999	Rivard	A47C 7/46 297/230.13
D420,523 S	2/2000	Stumpf et al.	
6,575,530 B1 *	6/2003	Fischer	A47C 7/462 297/284.1
6,619,739 B2 *	9/2003	McMillen	A47C 7/462 297/284.7
6,644,740 B2 *	11/2003	Holst	B60N 2/66 297/284.4

D487,359 S *	3/2004	Giugiaro	D6/366
D489,542 S *	5/2004	Giugiaro	D6/366
D497,501 S *	10/2004	Saylor	D6/716.4
6,874,852 B2 *	4/2005	Footitt	A47C 7/004 297/284.4
D507,134 S	7/2005	Raferly et al.	

(Continued)

FOREIGN PATENT DOCUMENTS

CN	3359368	3/2004
CN	3430524	3/2004

(Continued)

OTHER PUBLICATIONS

Request for Invalidation issued by the Chinese Patent Office for related Application No. 201630612246.4 dated Nov. 23, 2018 (94 pages including English translation).

*Primary Examiner* — Mimosa De  
(74) *Attorney, Agent, or Firm* — Michael Best & Friedrich LLP

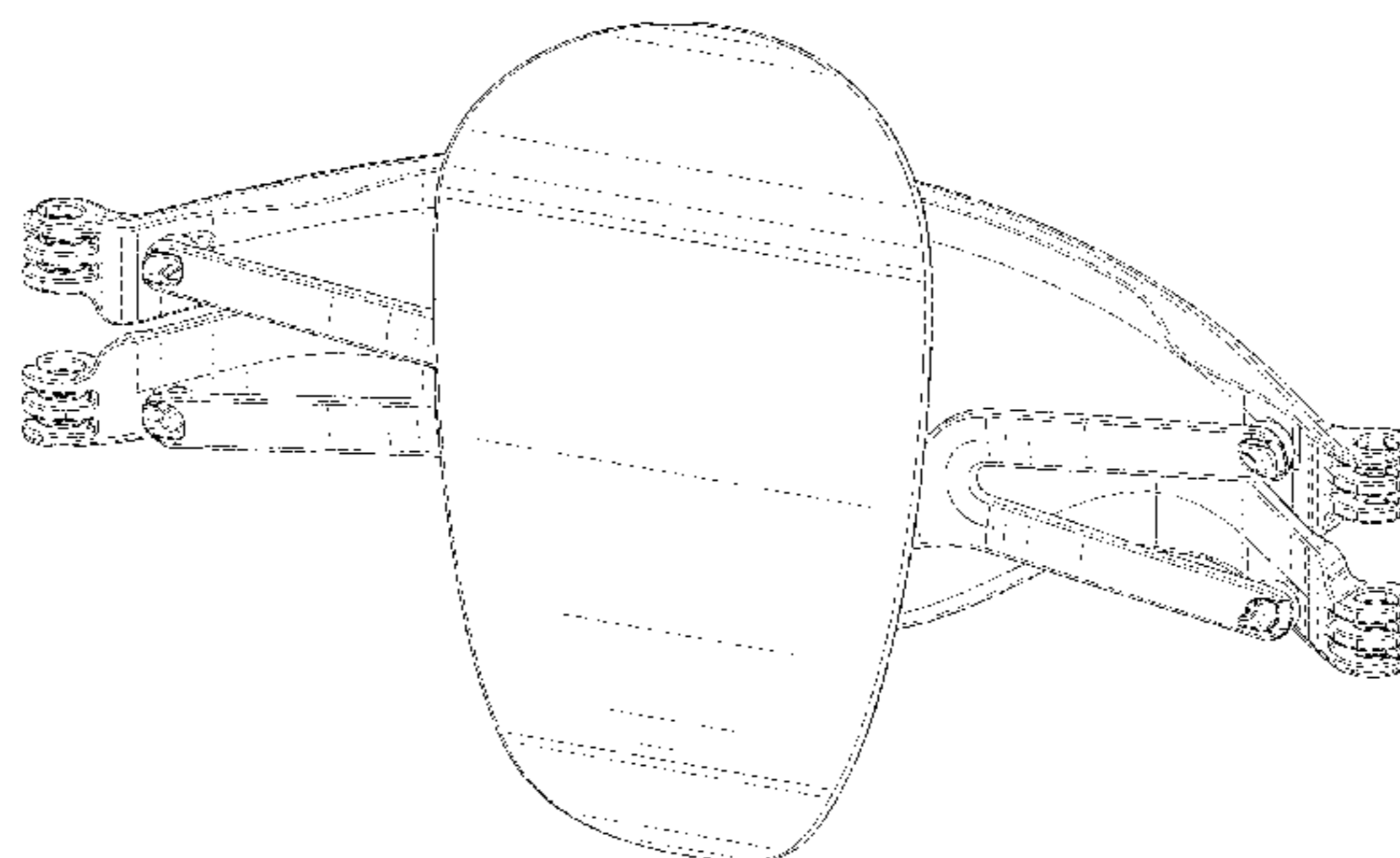
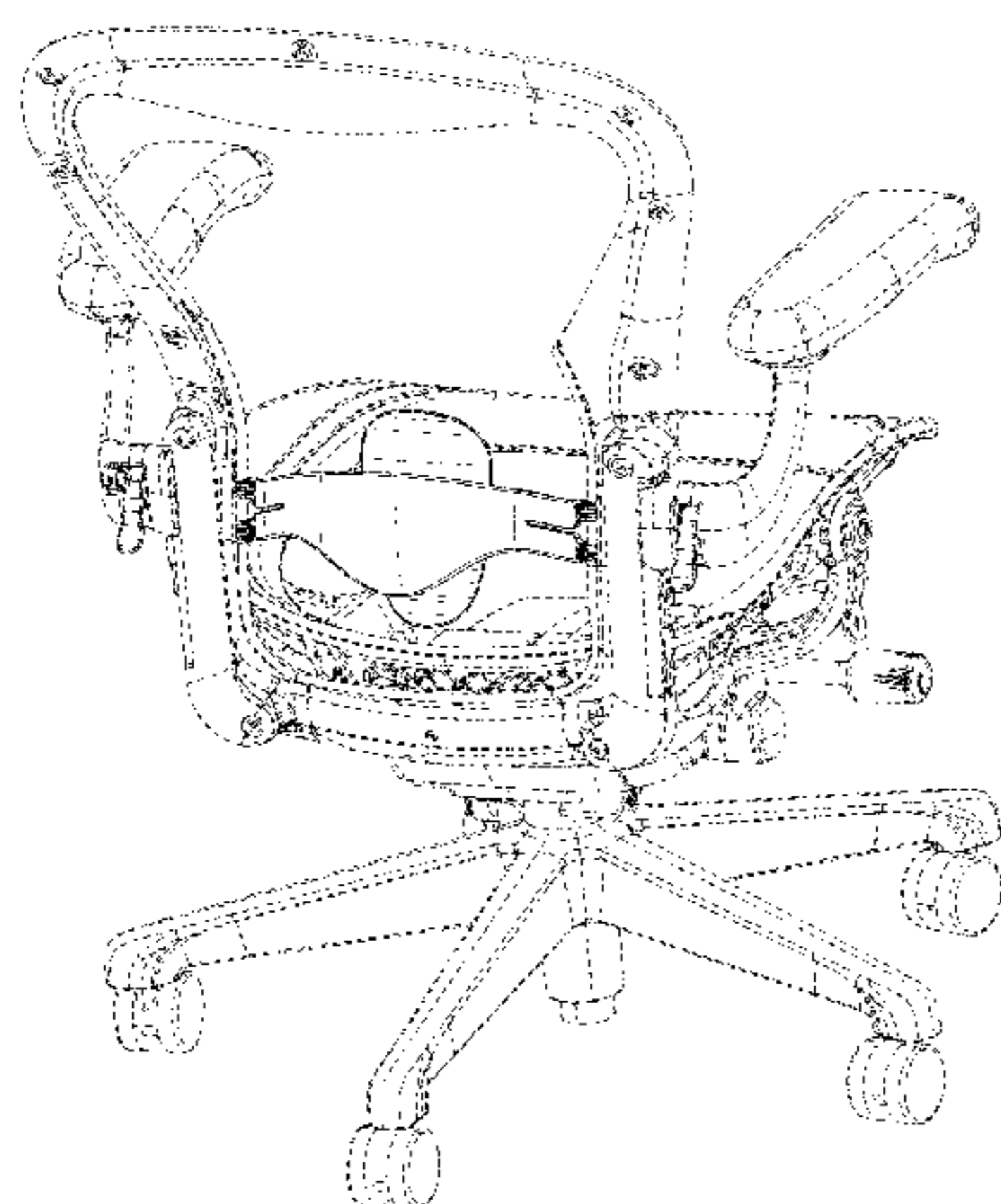
(57) **CLAIM**

We claim the ornamental design for a chair and chair components, as shown and described.

**DESCRIPTION**

FIG. 1 is a perspective view of a chair.  
FIG. 2 is a front perspective view of a back support of the chair of FIG. 1.  
FIG. 3 is a front view of the back support of FIG. 2.  
FIG. 4 is a rear view of the back support of FIG. 2.  
FIG. 5 is a first side view of the back support of FIG. 2.  
FIG. 6 is a second side view of the back support of FIG. 2.  
FIG. 7 is a top view of the back support of FIG. 2; and,  
FIG. 8 is a bottom view of the back support of FIG. 2.  
Portions of the chair and chair components shown in broken lines form no part of the claimed design.

**1 Claim, 8 Drawing Sheets**



(56)

References Cited

U.S. PATENT DOCUMENTS

D511,914 S \* 11/2005 Edwards ..... A47C 7/462  
D6/716.4

D540,578 S 4/2007 Chen

7,234,773 B2 6/2007 Raftery et al.

D547,978 S 8/2007 Machael et al.

D548,992 S 8/2007 Koepka et al.

D557,915 S 12/2007 Ong

7,303,232 B1 \* 12/2007 Chen ..... A47C 7/46  
297/284.7

D558,994 S 1/2008 Machael et al.

7,344,194 B2 \* 3/2008 Maier ..... A47C 7/46  
297/284.4

7,347,495 B2 \* 3/2008 Beyer ..... A47C 7/462  
297/284.3

7,357,453 B2 \* 4/2008 Wu ..... A47C 7/462  
297/230.14

D580,199 S 11/2008 Su

D597,349 S 8/2009 Wilkinson et al.

D607,653 S 1/2010 Wilkinson et al.

7,837,265 B2 11/2010 Machael et al.

7,878,591 B2 2/2011 Walker et al.

D654,280 S 2/2012 Fujita

D657,166 S 4/2012 Behar et al.

8,308,240 B1 \* 11/2012 Chou ..... A47C 7/462  
297/284.4

D673,400 S 1/2013 Chen

8,449,037 B2 5/2013 Behar et al.

D683,552 S \* 6/2013 Wu ..... D6/366

D687,660 S 8/2013 Hsuan-Chin

8,573,697 B1 \* 11/2013 Su ..... A47C 7/462  
297/284.7

D703,966 S \* 5/2014 Wu ..... D6/366

D709,312 S \* 7/2014 Giugiaro ..... D6/716.4

D714,042 S 9/2014 Petrie

D724,878 S 3/2015 Tsai

D774,345 S 12/2016 Tsai

D777,494 S 1/2017 Prestwich

D779,251 S \* 2/2017 Beyer ..... D6/716.4

D784,749 S \* 4/2017 Welsh ..... D6/716.4

D799,877 S \* 10/2017 Mulder ..... D6/716.4

D804,881 S 12/2017 Guelfo

2005/0104428 A1 5/2005 Walker et al.

FOREIGN PATENT DOCUMENTS

CN 301390258 S 11/2010

CN 301543076 S 5/2011

CN 303502699 S 12/2015

TW D129285 6/2009

TW D134501 4/2010

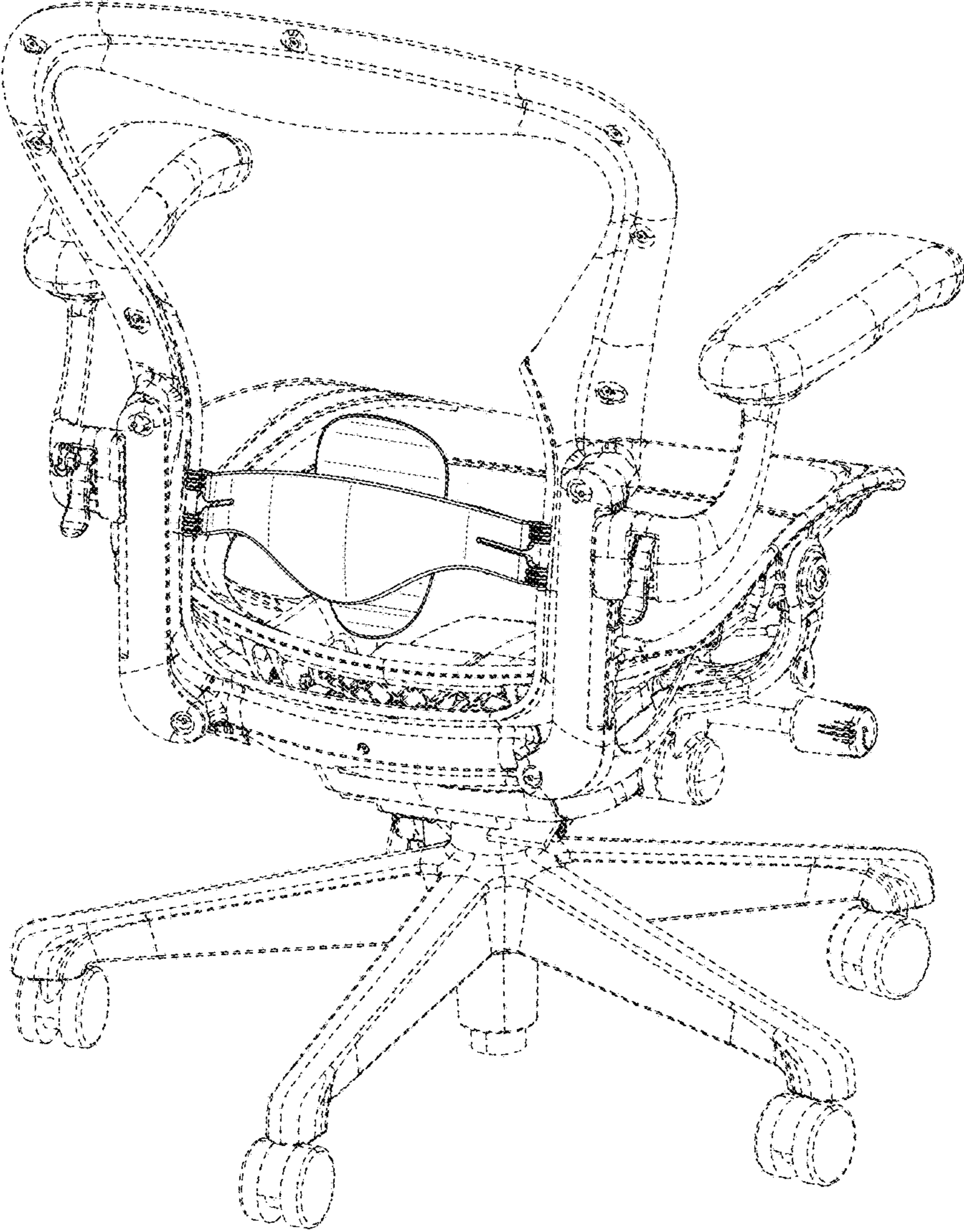
TW D140909 6/2011

TW D150755 12/2012

TW D151081 1/2013

TW D164647 12/2014

\* cited by examiner



**FIG. 1**



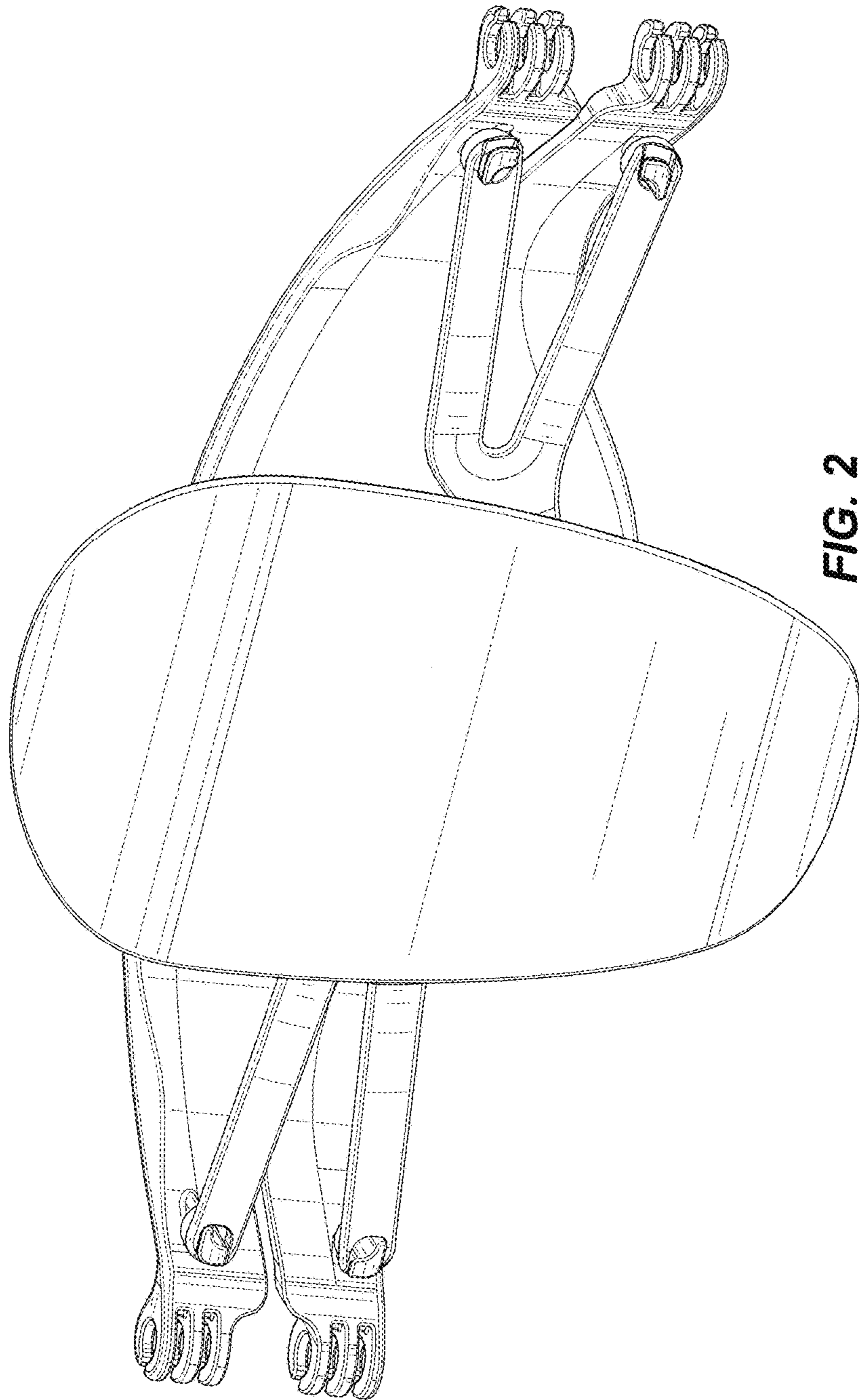


FIG. 2

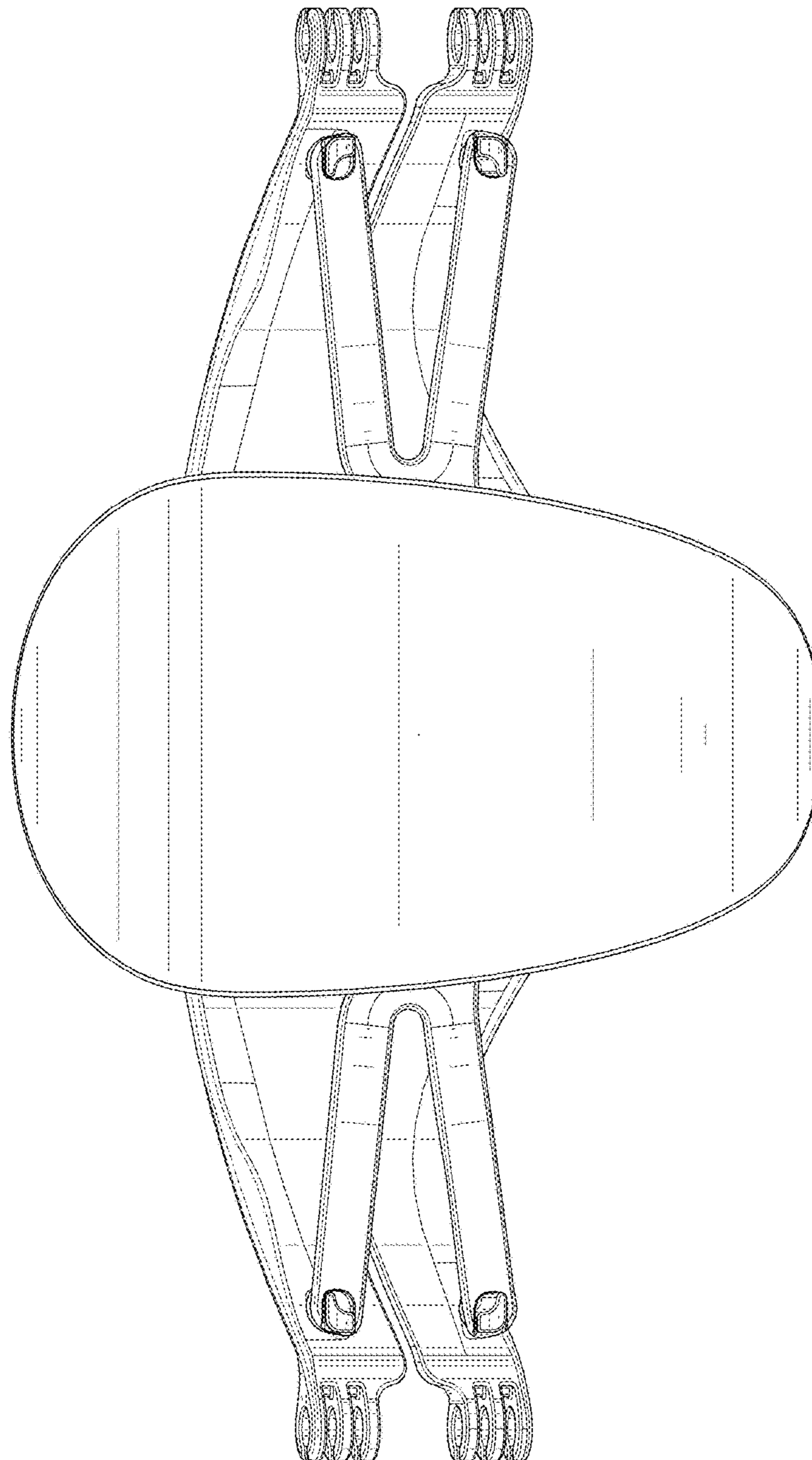


FIG. 3

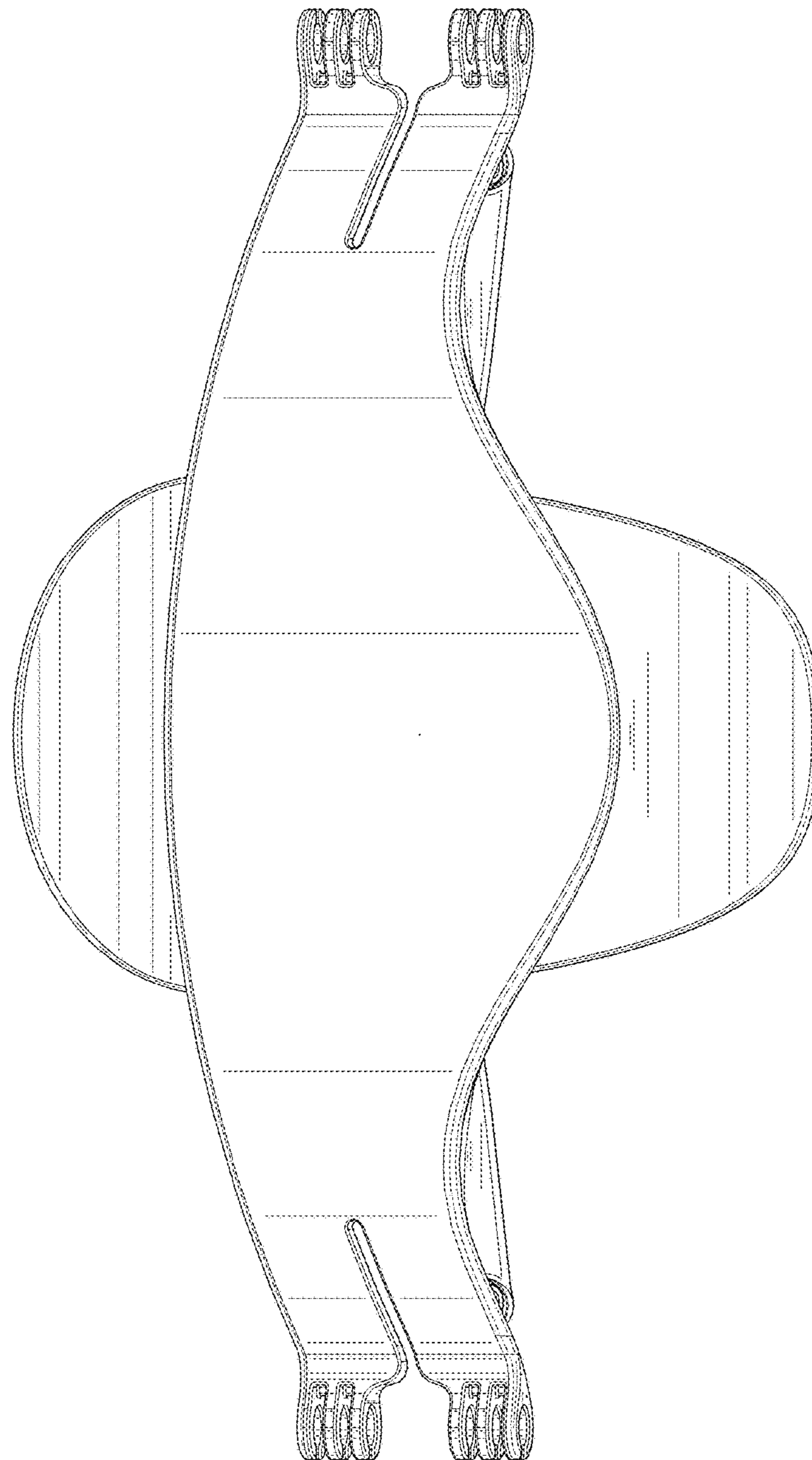
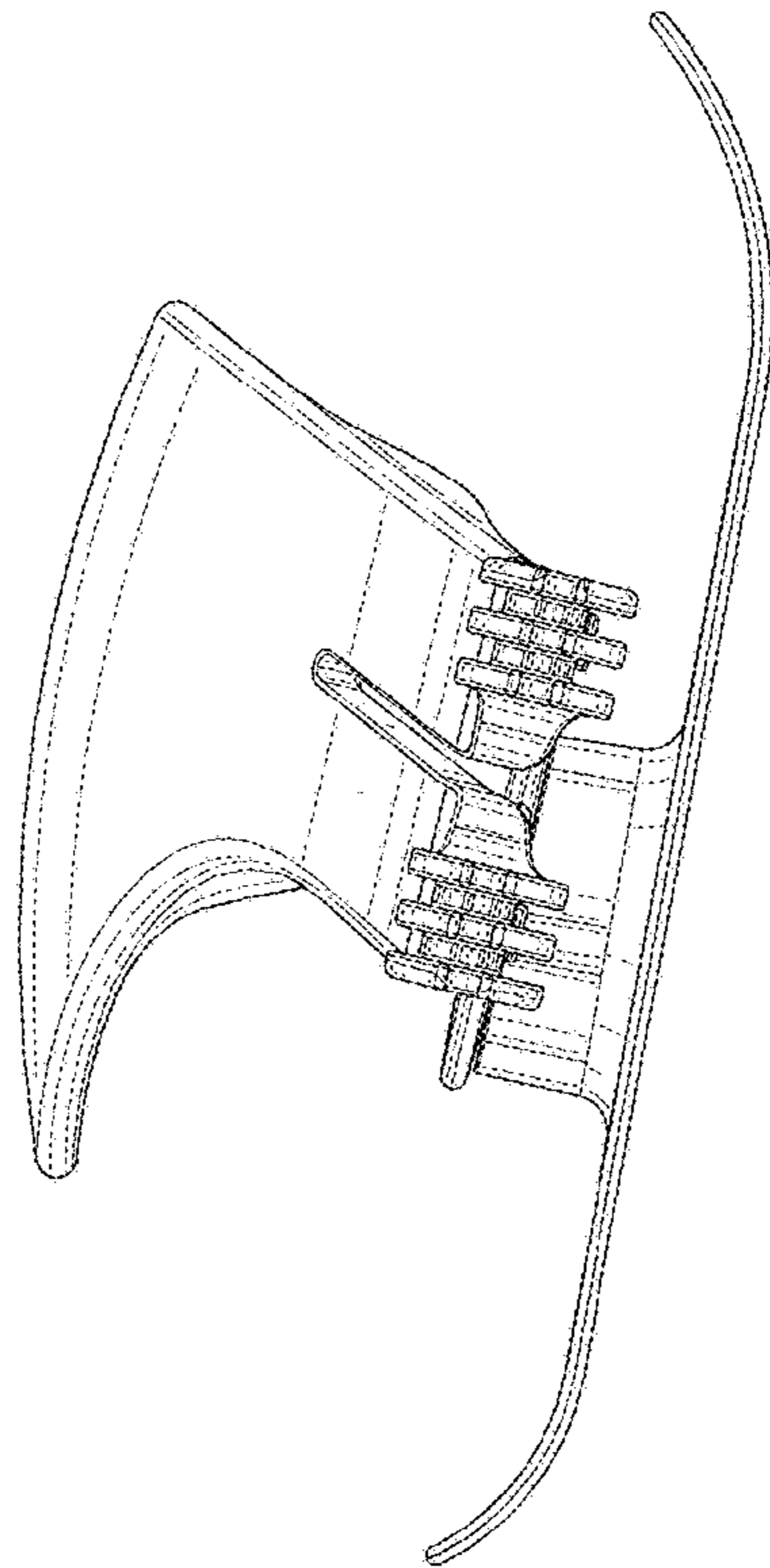
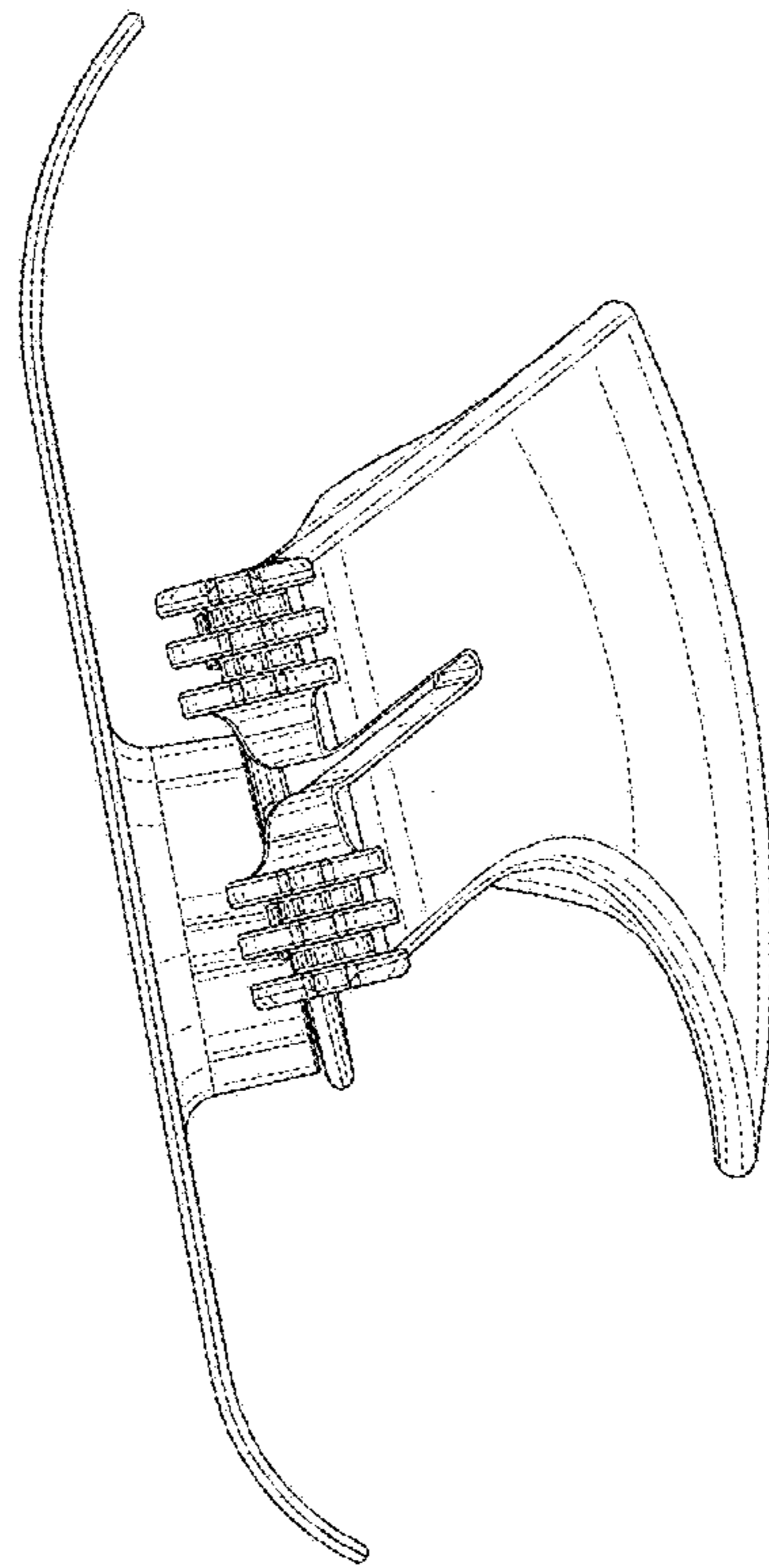


FIG. 4



**FIG. 5**



**FIG. 6**



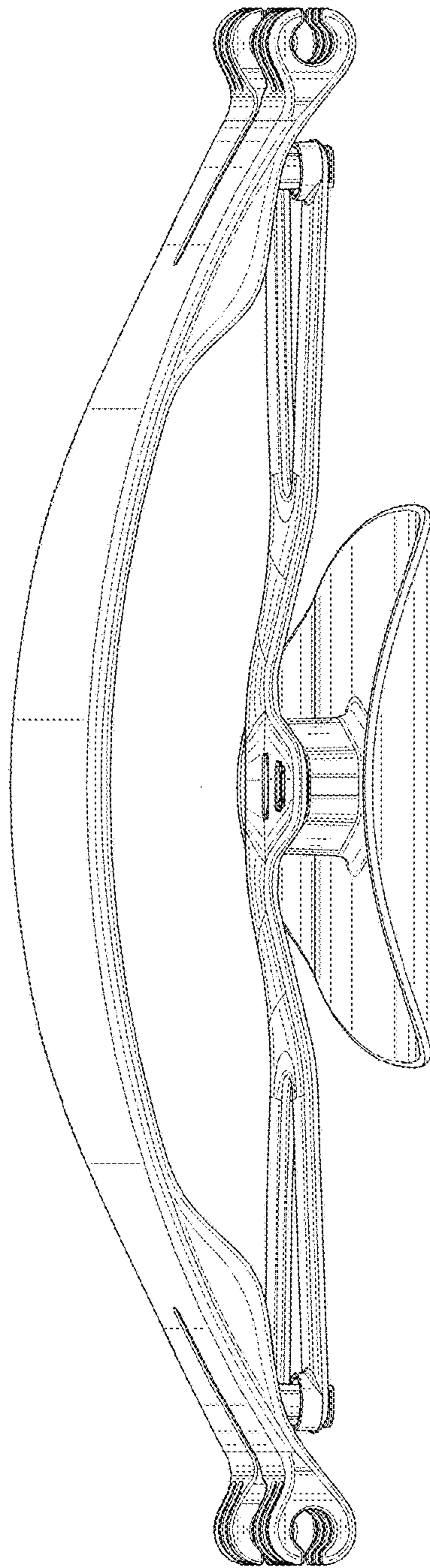


FIG. 7

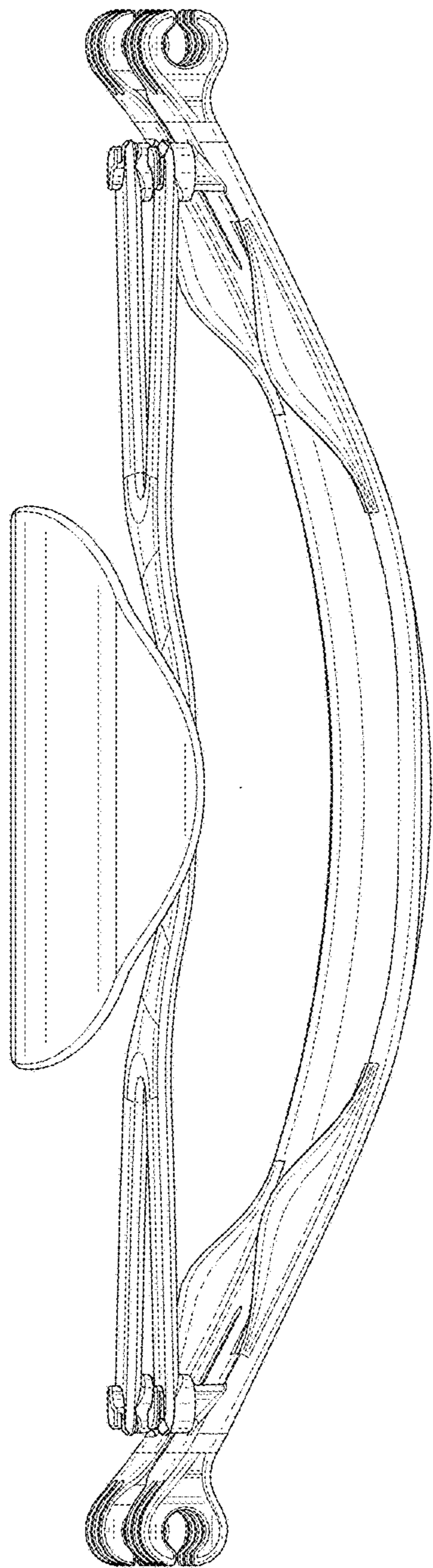


FIG. 8