



US00D845049S

(12) **United States Design Patent**
Yeh

(10) **Patent No.:** **US D845,049 S**

(45) **Date of Patent:** **** Apr. 9, 2019**

(54) **WHEEL BASE FOR MEDICAL BED**

(71) Applicant: **ENTROPY PRECISION SYSTEM INC., Taipei (TW)**

(72) Inventor: **Hung-Twu Yeh, Taipei (TW)**

(73) Assignee: **ENTROPY PRECISION SYSTEM INC, Taipei (TW)**

(**) Term: **15 Years**

(21) Appl. No.: **29/626,163**

(22) Filed: **Nov. 15, 2017**

(51) **LOC (11) Cl.** **06-06**

(52) **U.S. Cl.**
USPC **D6/708; D6/708.16; D24/184**

(58) **Field of Classification Search**
USPC D6/390-392, 718, 708, 708.16, 708.21,
D6/708.22; D24/183-185
CPC A61G 7/00; A61G 7/002; A61G 7/012;
A61G 13/00; A61G 13/06; A61G 13/104
See application file for complete search history.

(56) **References Cited**

U.S. PATENT DOCUMENTS

3,197,198	A *	7/1965	Collis	A61G 13/00 378/209
D229,381	S *	11/1973	Benoit et al.	D24/183
4,110,856	A *	9/1978	Benoit et al.	A61G 7/00 5/618
D295,892	S *	5/1988	Feldt	D12/128
6,363,556	B1 *	4/2002	Krauska	A61G 7/002 5/613
D554,261	S *	10/2007	Meoli	D24/183

D632,795	S *	2/2011	Matrunola	D24/183
2003/0056291	A1 *	3/2003	George	A61G 7/00 5/600
2007/0226907	A1 *	10/2007	Dorenbeck	A61G 7/012 5/611
2014/0325759	A1 *	11/2014	Bly	A61G 7/002 5/611
2015/0335508	A1 *	11/2015	Liu	A61G 7/012 5/611
2017/0367913	A1 *	12/2017	Cox	A61G 7/015

* cited by examiner

Primary Examiner — Cathron C Brooks

(74) *Attorney, Agent, or Firm* — Muncy, Geissler, Olds & Lowe, P.C.

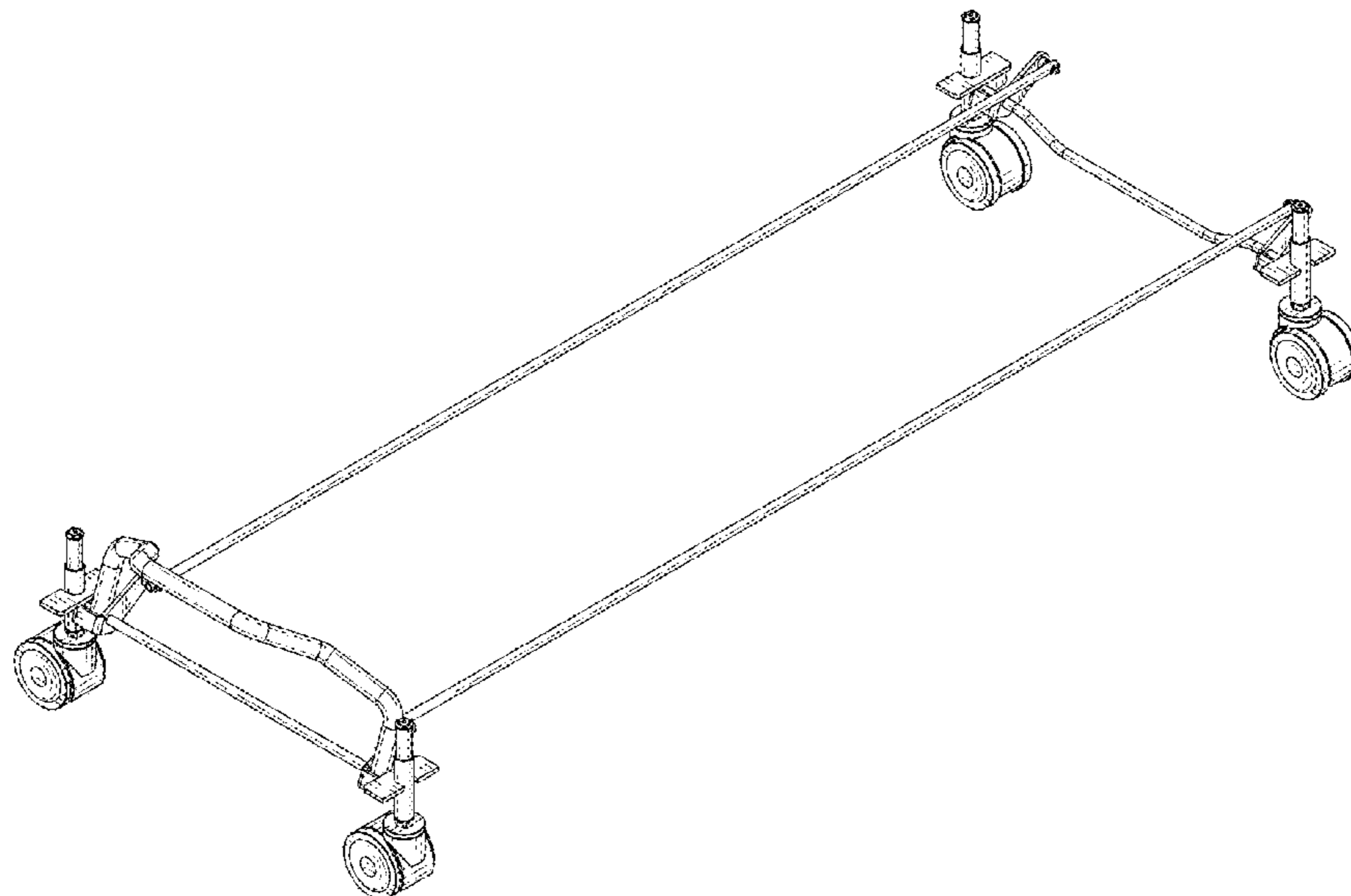
(57) **CLAIM**

The ornamental design for the wheel base for medical bed, as shown and described.

DESCRIPTION

FIG. 1 is a perspective view of the elevating wheel base for medical bed showing the new design; FIG. 2 is a front view of the new design; FIG. 3 is a rear view of the new design; FIG. 4 is a left view of the new design; FIG. 5 is a right view of the new design; FIG. 6 is a top view of the new design; and FIG. 7 is a bottom view of the new design. FIG. 8 is another perspective view thereof, but shown with broken line subject matter; and, FIG. 9 is another perspective view thereof, but shown in an alternate position of use. The broken lines in FIGS. 8 and 9 illustrate environmental structure and form no part of the claimed design.

1 Claim, 7 Drawing Sheets



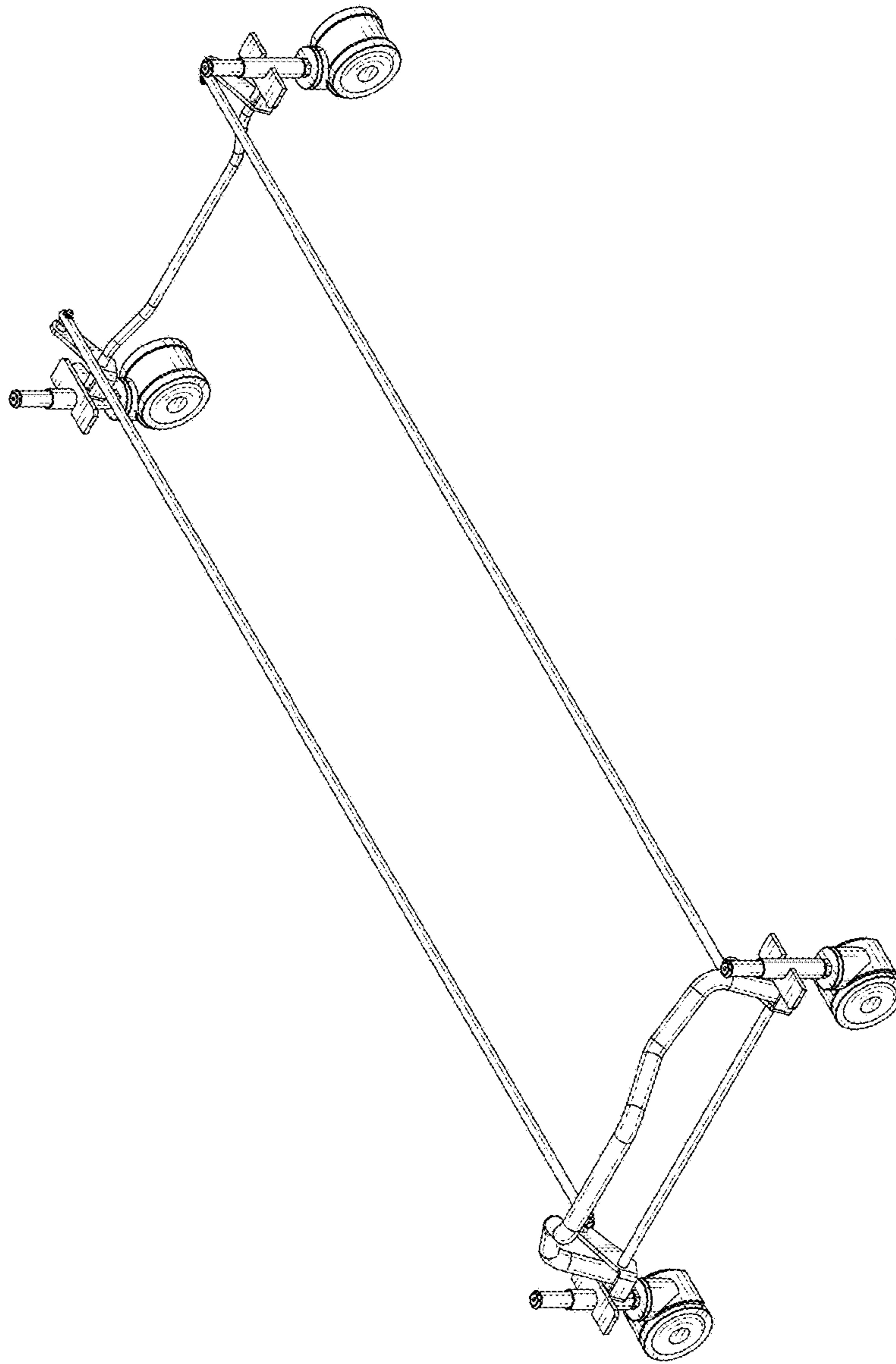


Fig. 1

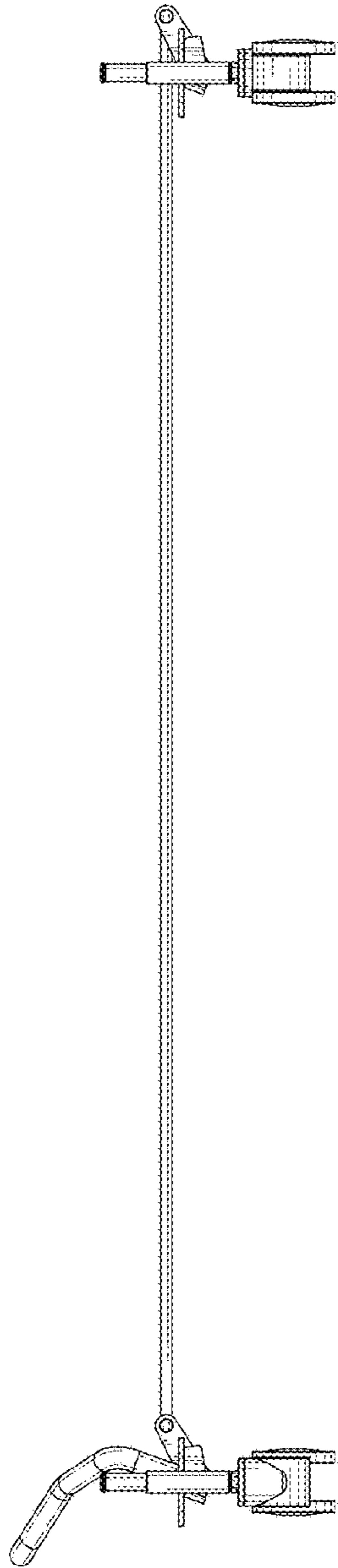


Fig. 2

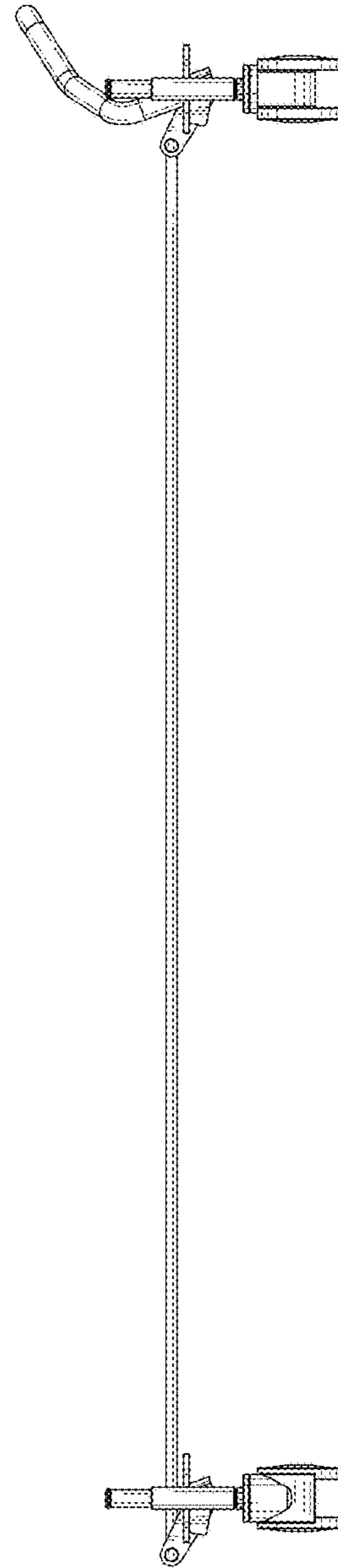


Fig. 3

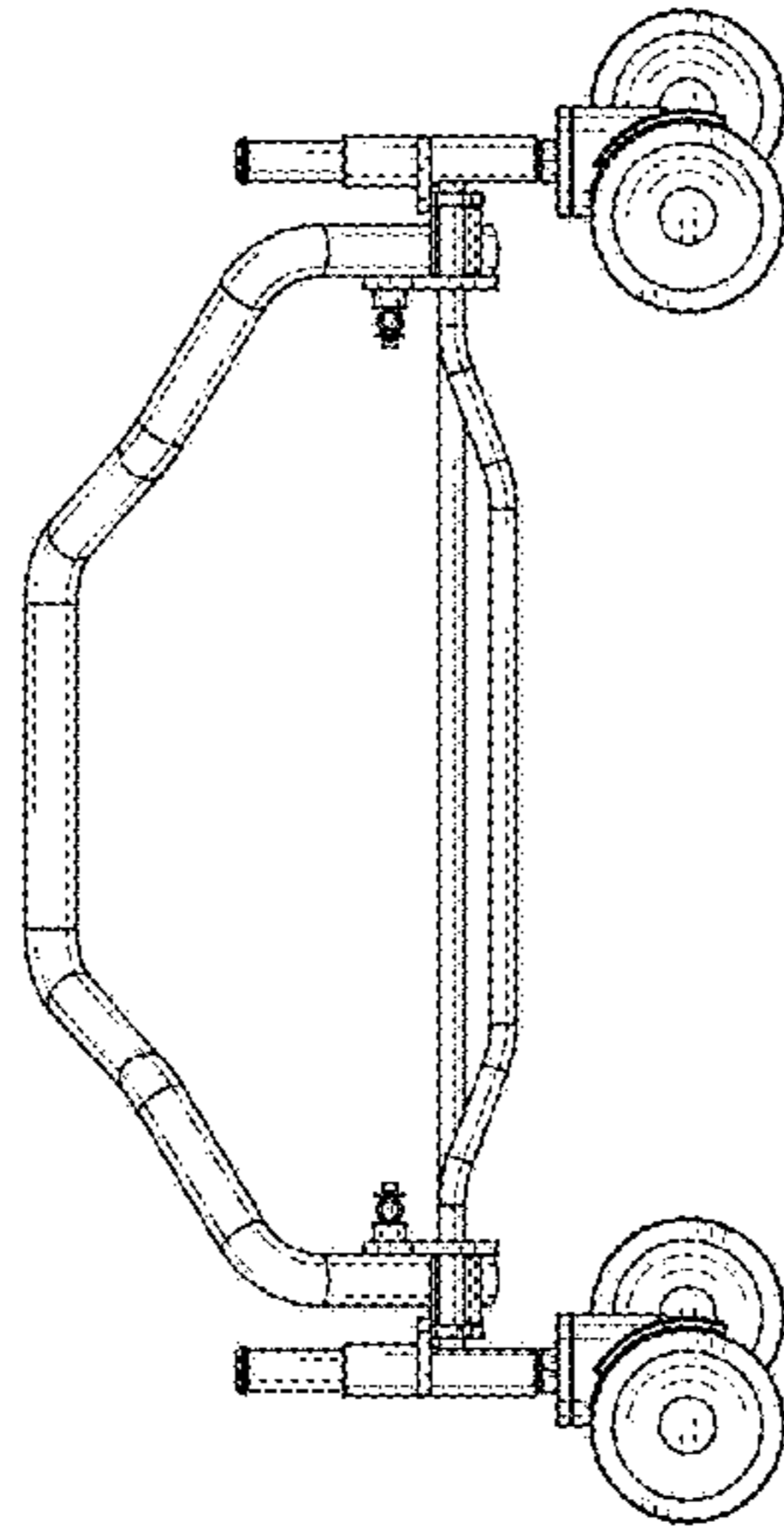


Fig.5

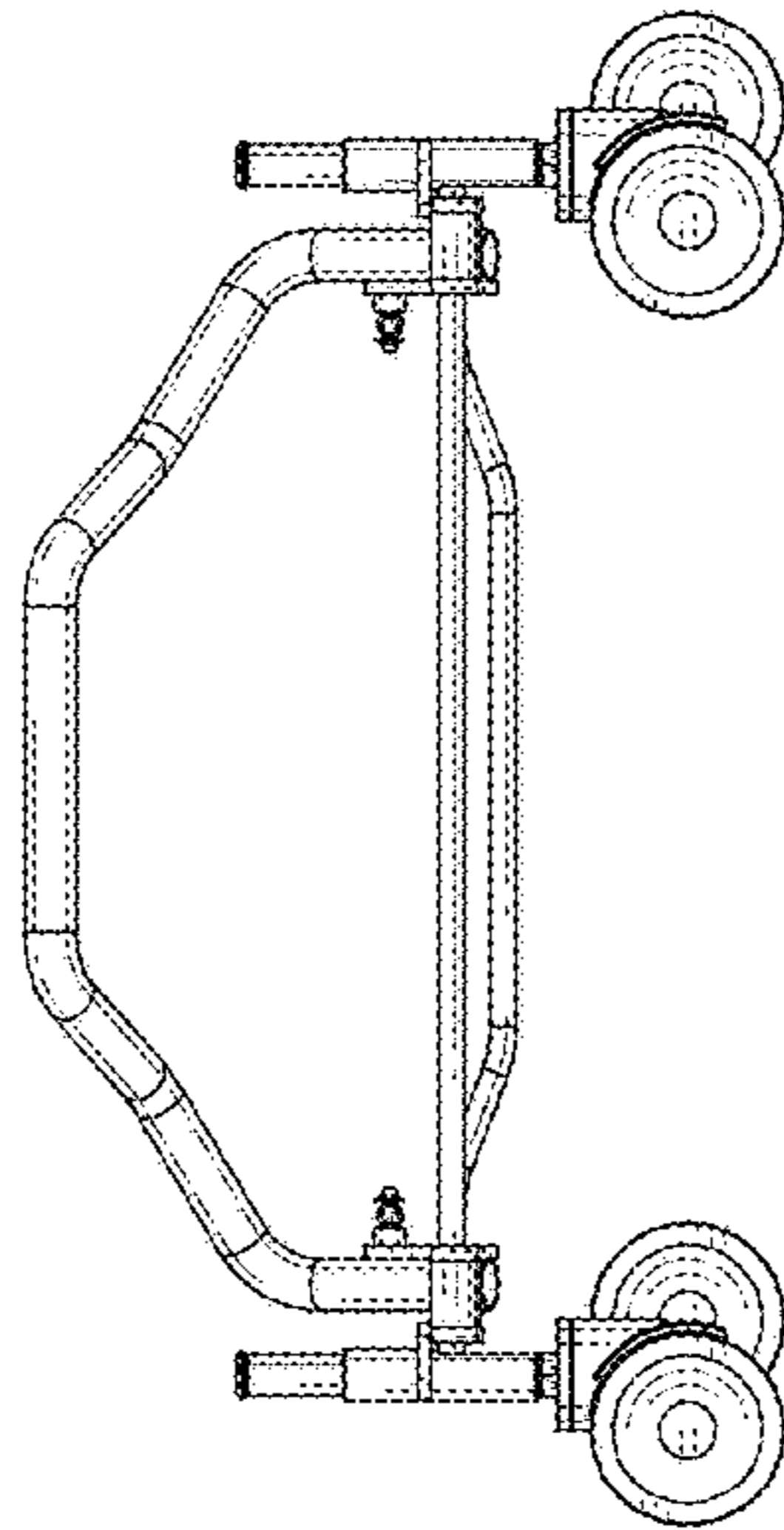


Fig.4

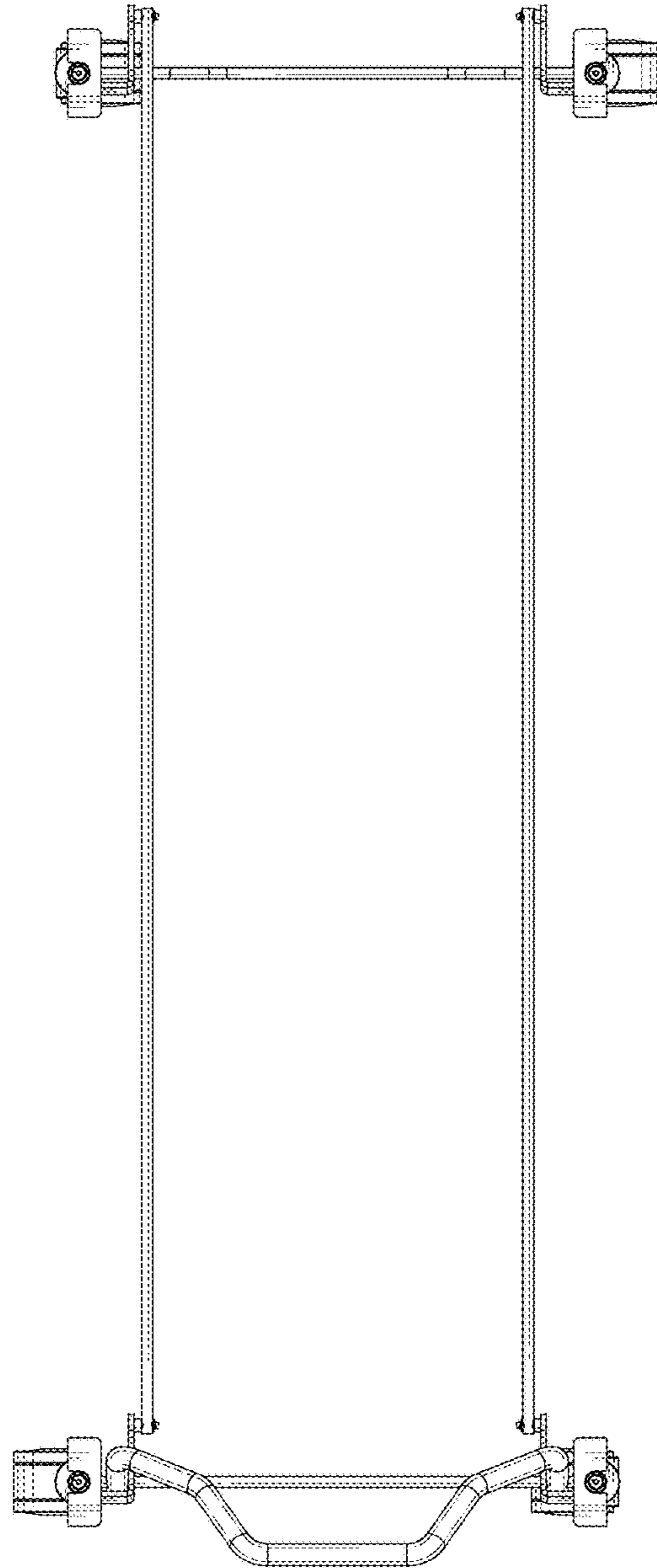


Fig.6

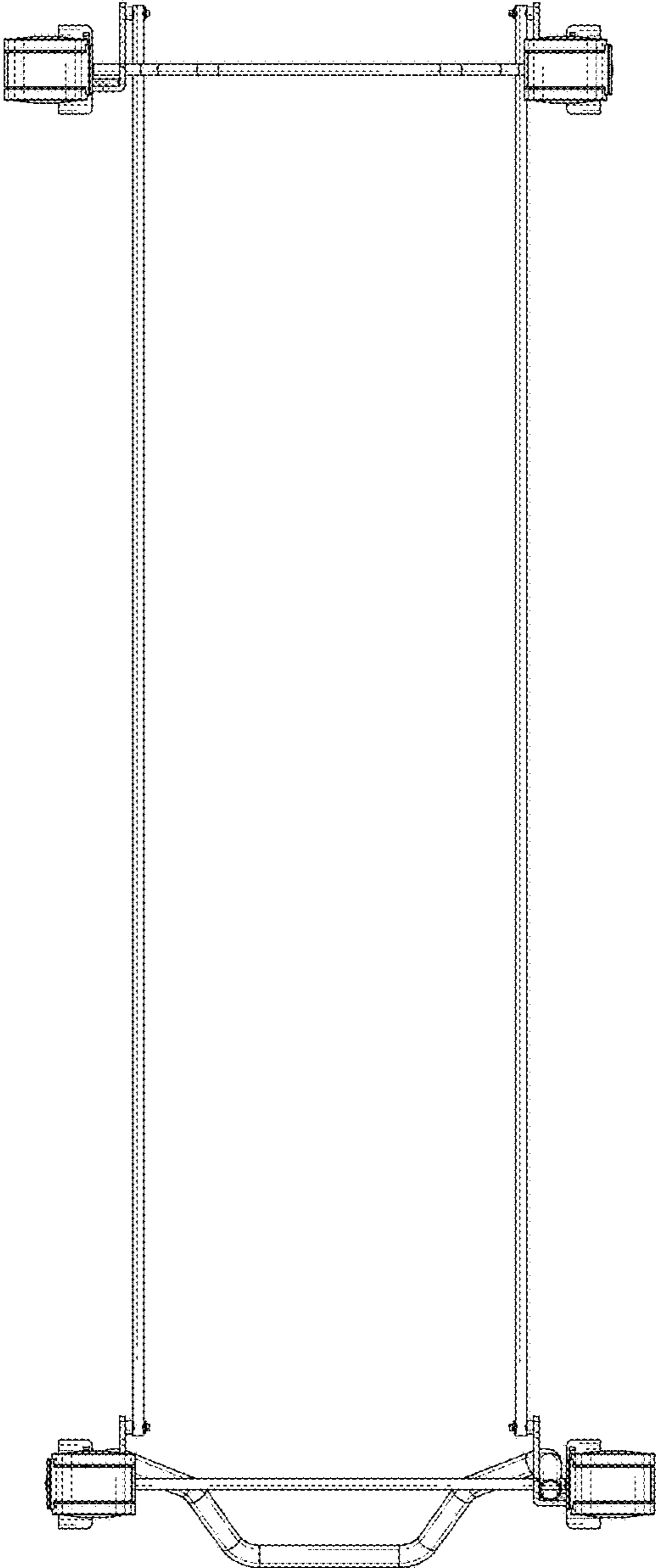


Fig.7

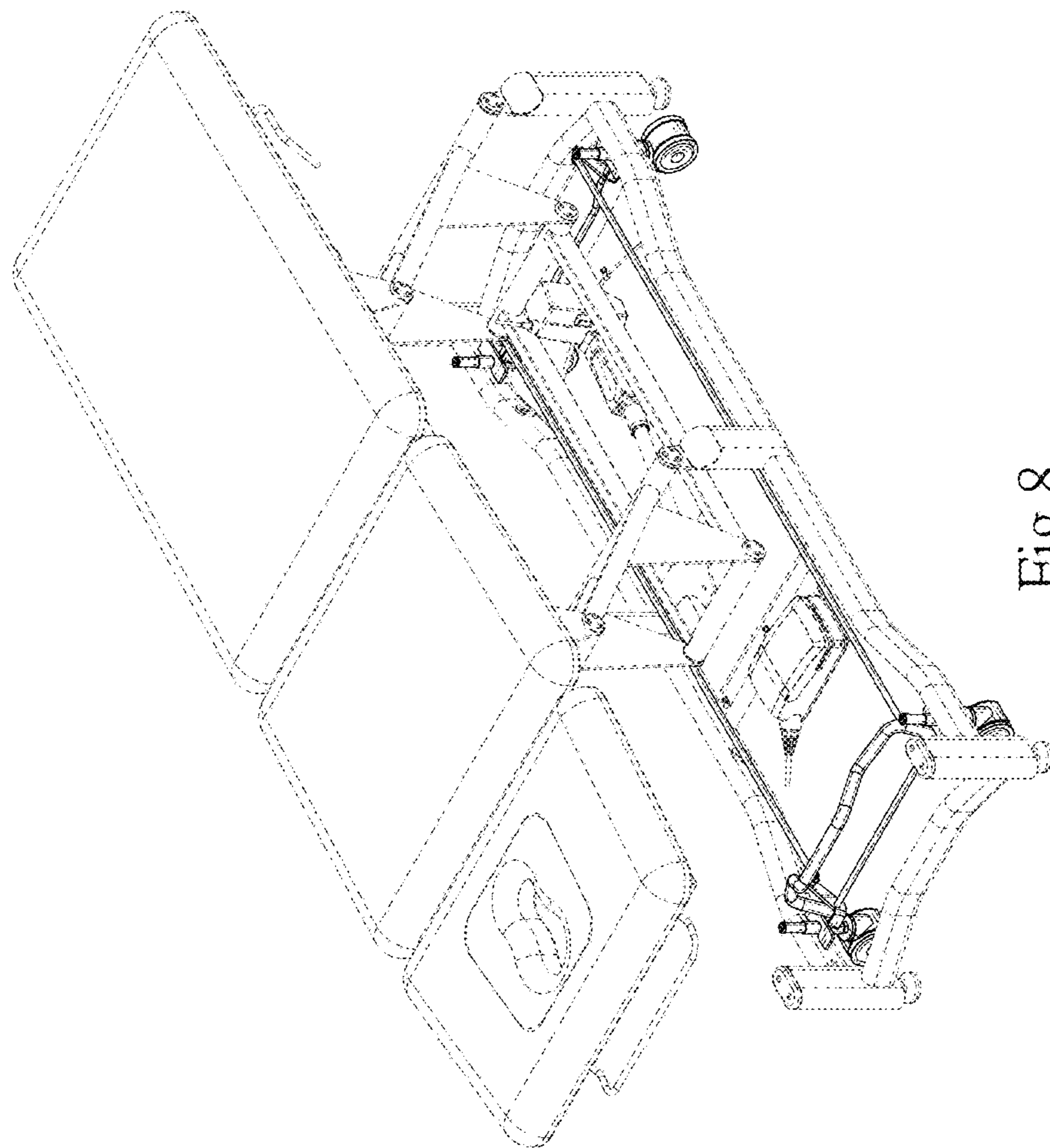


Fig.8

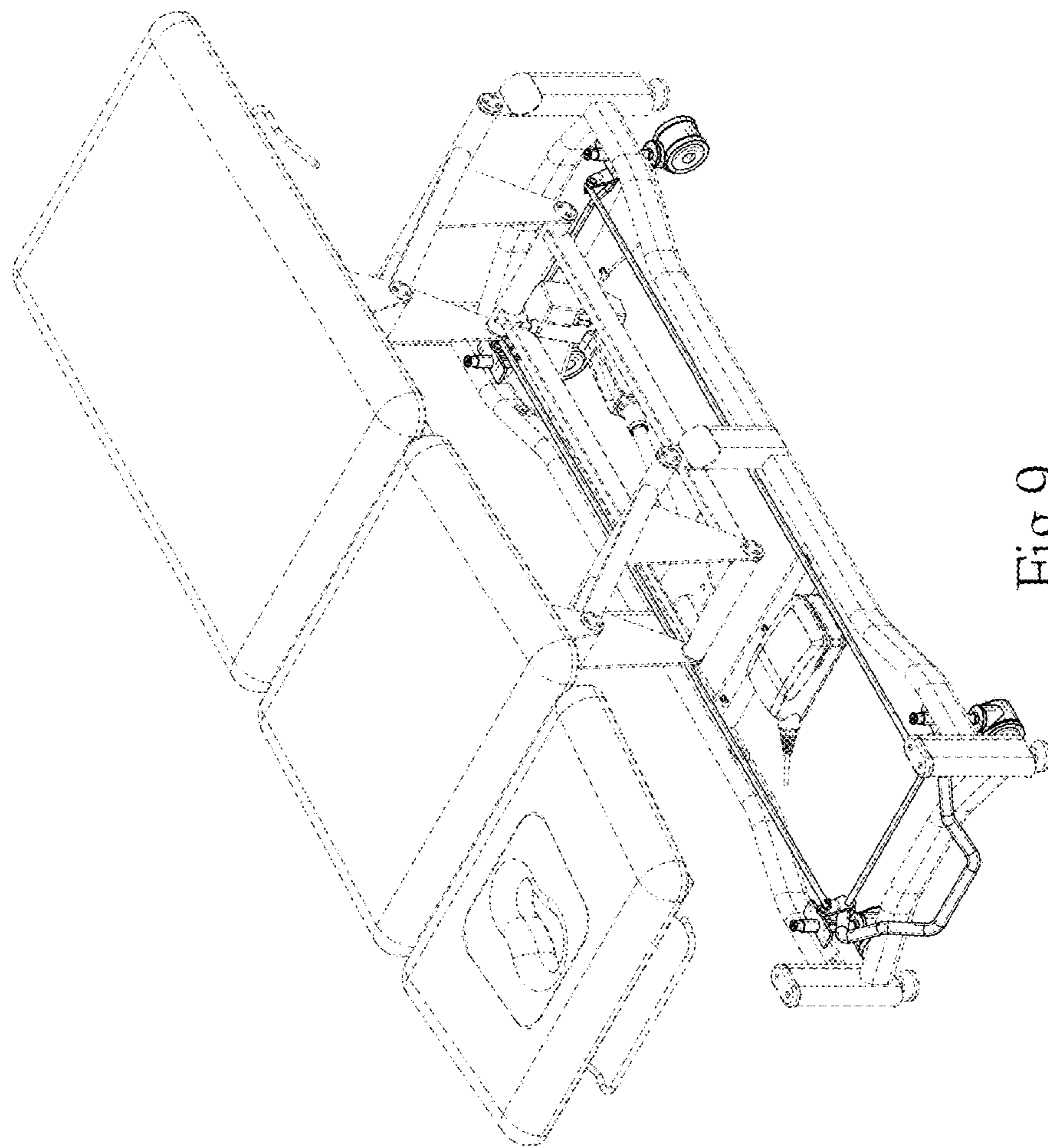


Fig.9