



US00D845047S

(12) **United States Design Patent**
Neri et al.

(10) **Patent No.:** **US D845,047 S**

(45) **Date of Patent:** **** Apr. 9, 2019**

(54) **SIDE TABLE**

(71) Applicant: **POLTRONA FRAU S.p.A.**, Meda (IT)

(72) Inventors: **Lyndon Neri**, Shanghai (CN); **Rossana Hu**, Shanghai (CN)

(73) Assignee: **POLTRONA FRAU S.P.A.**, Meda (IT)

(**) Term: **15 Years**

(21) Appl. No.: **29/582,433**

(22) Filed: **Oct. 27, 2016**

(30) **Foreign Application Priority Data**

May 9, 2016 (EP) 003117480-0002

(51) **LOC (11) Cl.** **06-03**

(52) **U.S. Cl.**
USPC **D6/692.6**

(58) **Field of Classification Search**
USPC D6/343, 349, 672, 677, 677.2, 685, 686,
D6/690, 692, 692.1-692.6
CPC A47B 7/00; A47B 13/00; A47B 13/02;
A47B 13/023; A47B 13/04; A47B 13/06;
A47B 13/12; A47B 21/00; A47B
2200/0011; A47B 2200/0016; A47B
2200/0021; A47B 2200/002

See application file for complete search history.

(56) **References Cited**

U.S. PATENT DOCUMENTS

D93,059 S *	8/1934	Walker	108/27
D280,957 S *	10/1985	Meier	D6/370
D552,893 S *	10/2007	Everson	D6/692.6
D618,012 S *	6/2010	Erne	D6/685
D815,865 S *	4/2018	Gauggel	D6/677
D829,453 S *	10/2018	Neri	D6/343
D829,474 S *	10/2018	Neri	D6/686

* cited by examiner

Primary Examiner — Mary Ann Calabrese

(74) *Attorney, Agent, or Firm* — Hogan Lovells US LLP

(57) **CLAIM**

The ornamental design for a side table, as shown and described.

DESCRIPTION

FIG. 1 is a perspective view of a side table showing the design;

FIG. 2 is a front view thereof;

FIG. 3 is a rear view thereof;

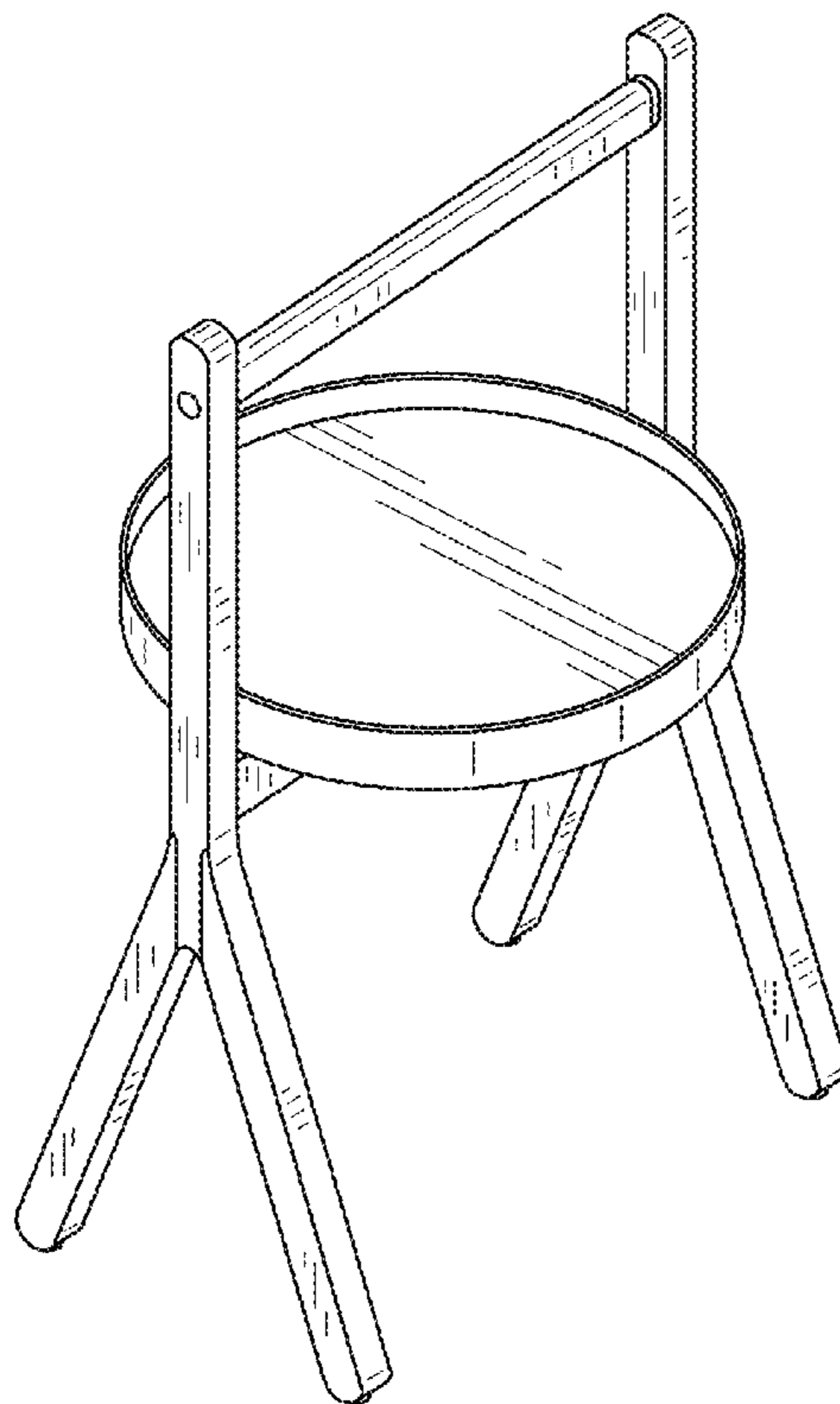
FIG. 4 is a left side view thereof;

FIG. 5 is a right side view thereof;

FIG. 6 is a top view thereof; and,

FIG. 7 is a bottom view thereof.

1 Claim, 6 Drawing Sheets



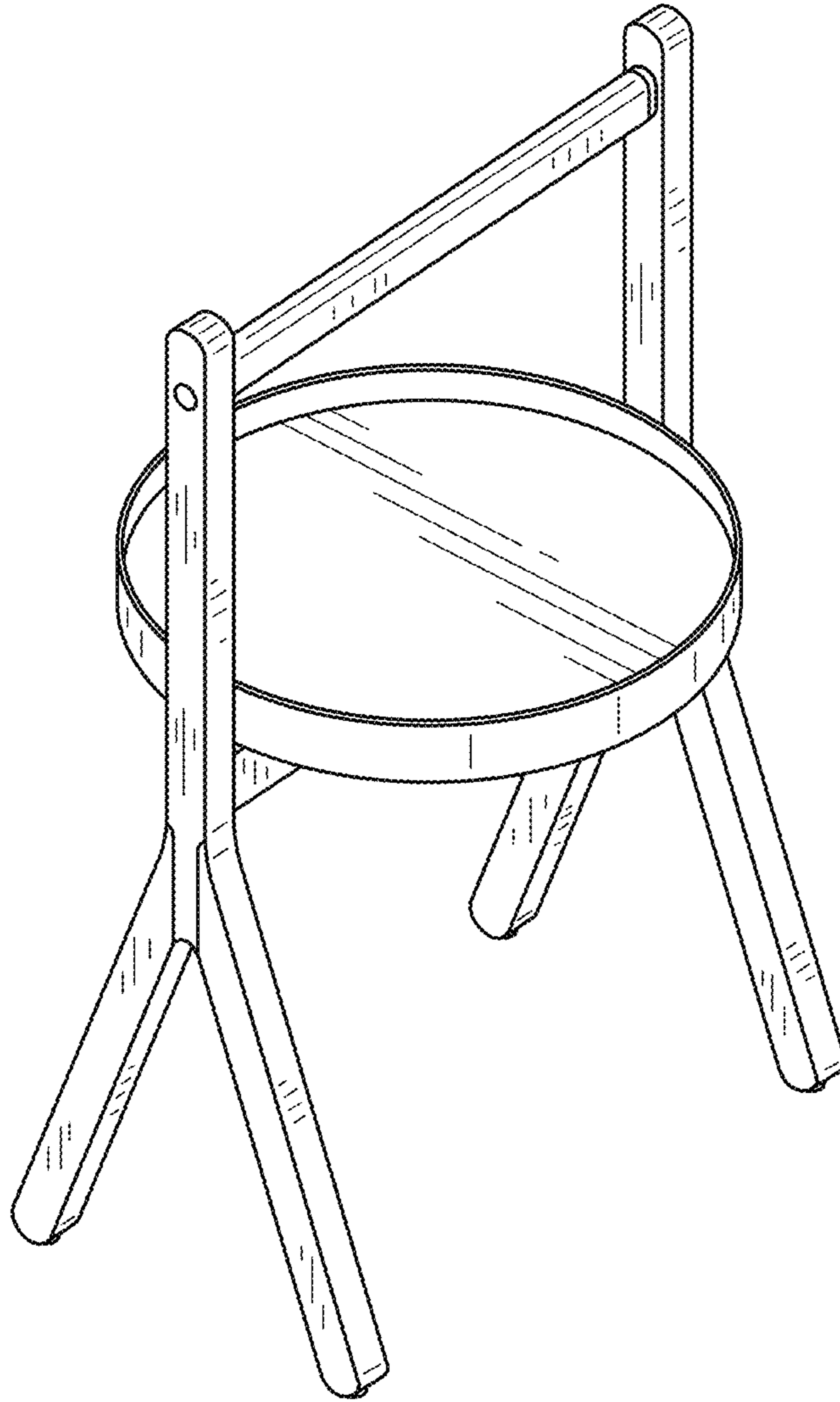


FIG.1

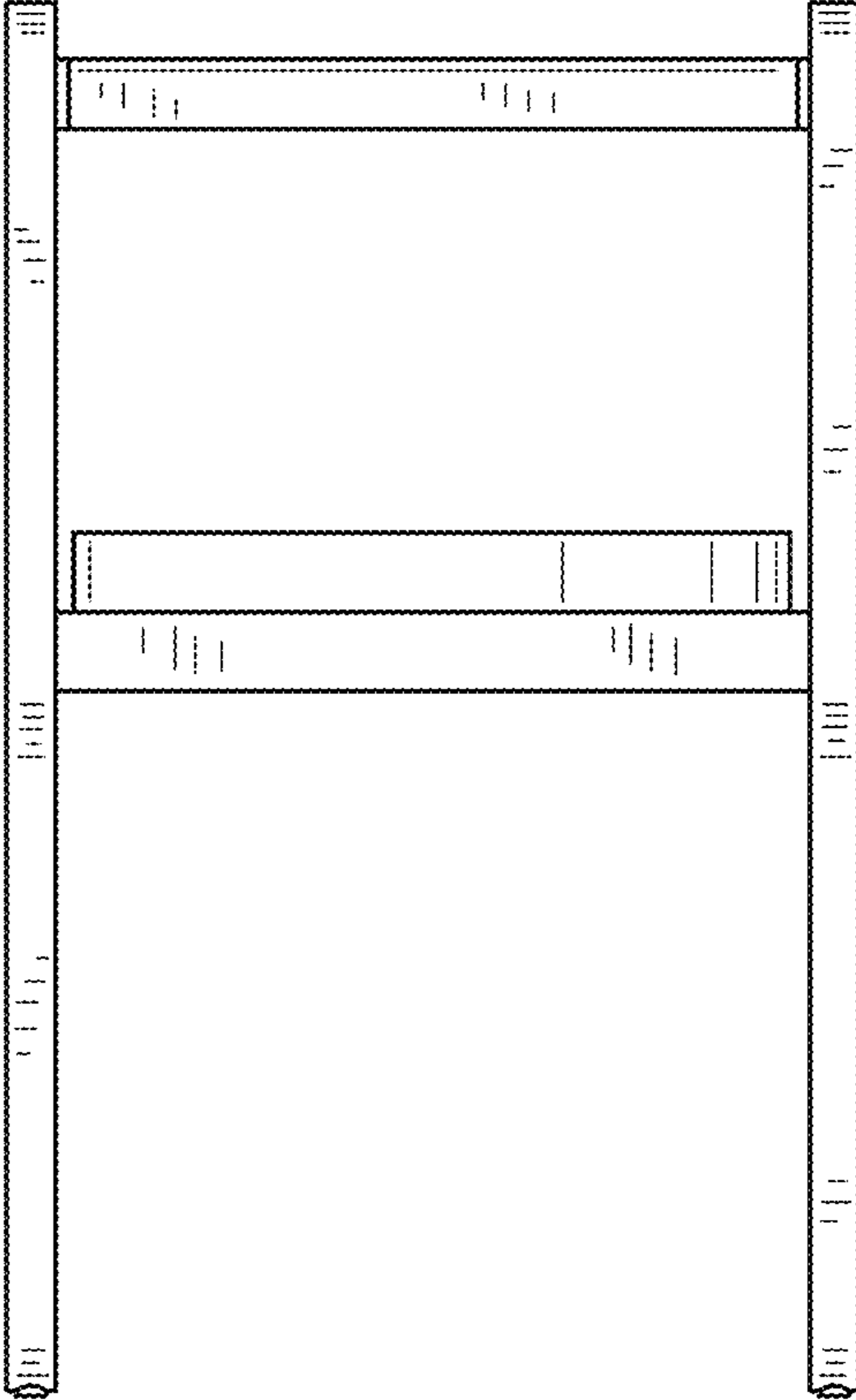


FIG.2

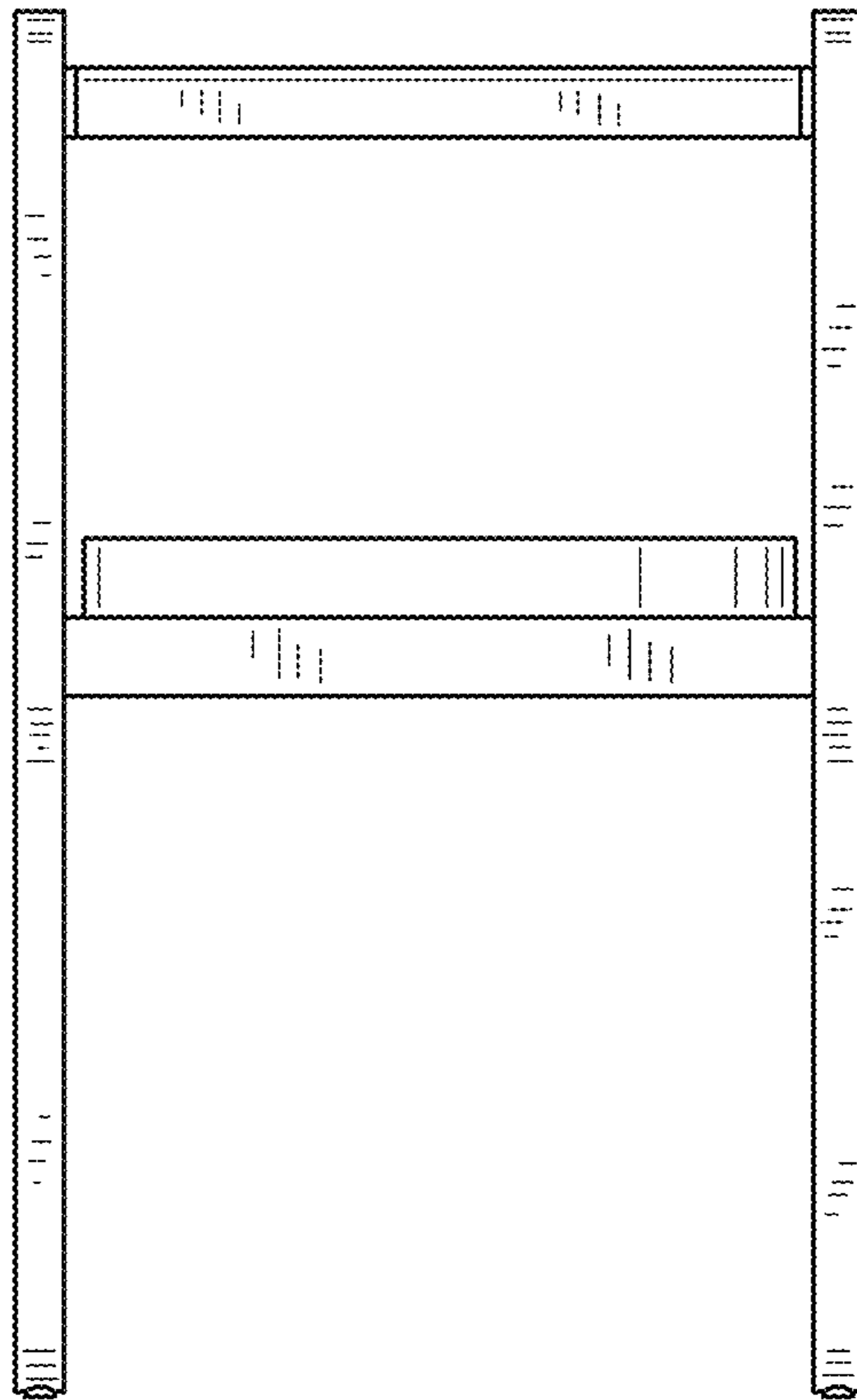


FIG.3

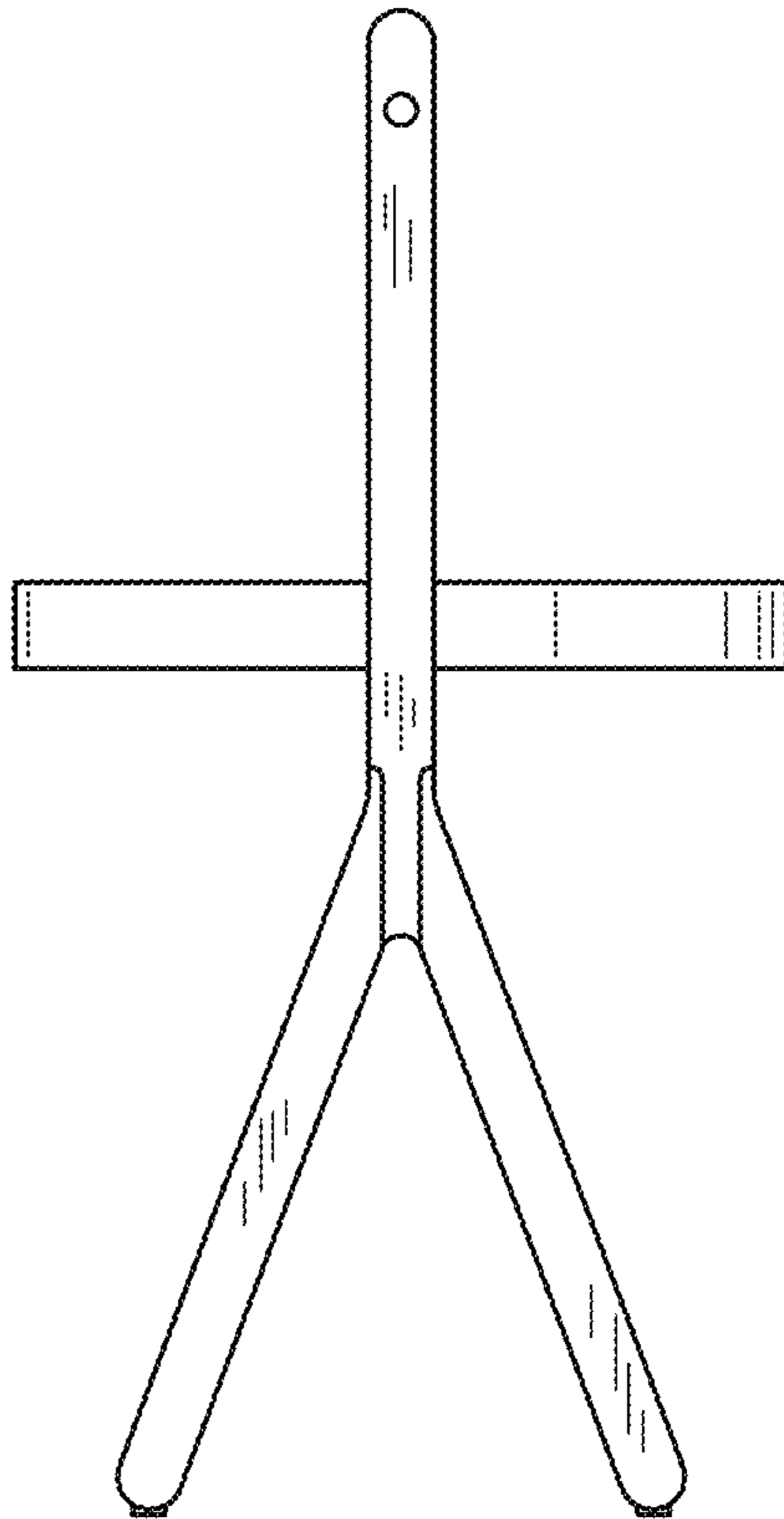


FIG.4

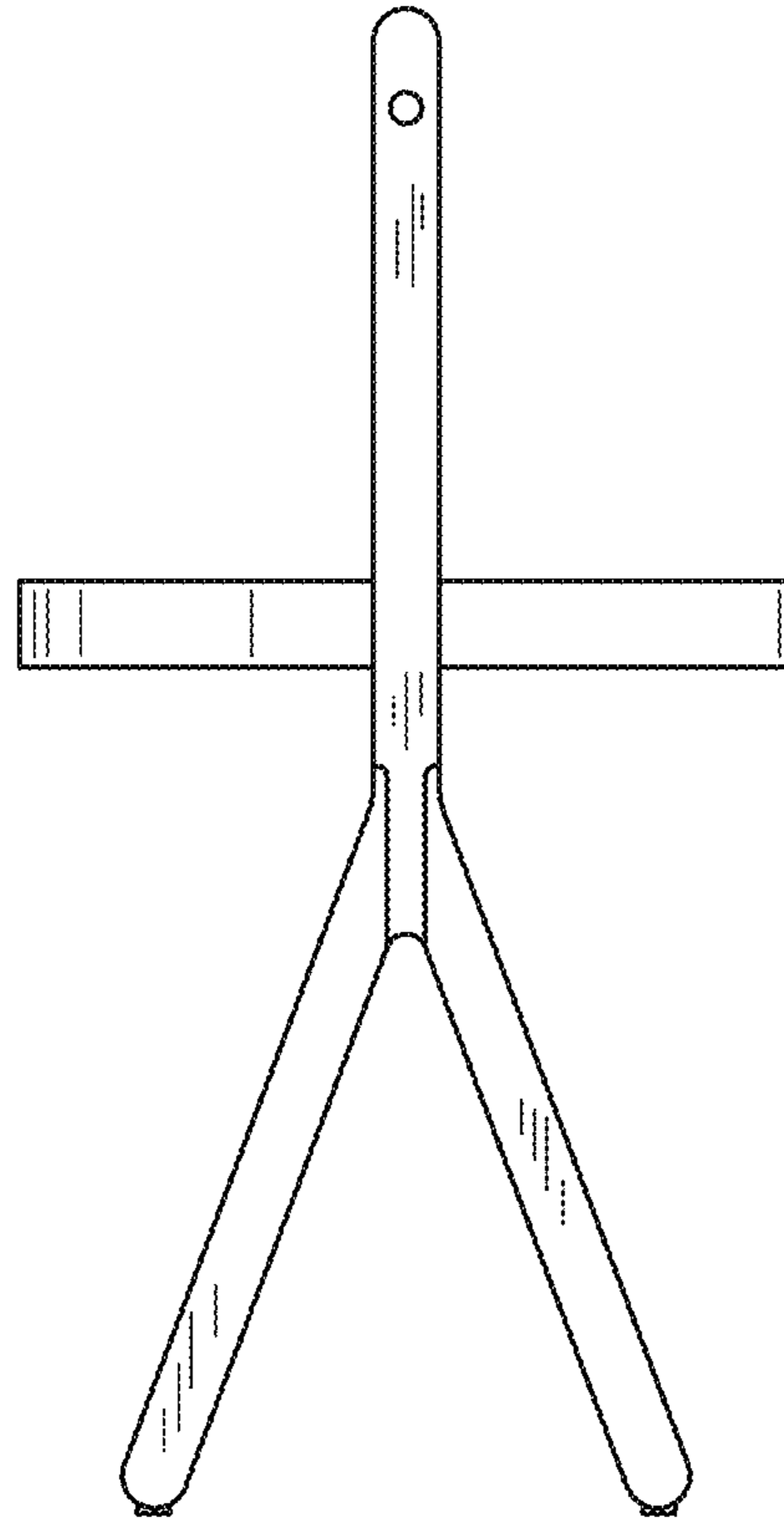


FIG.5

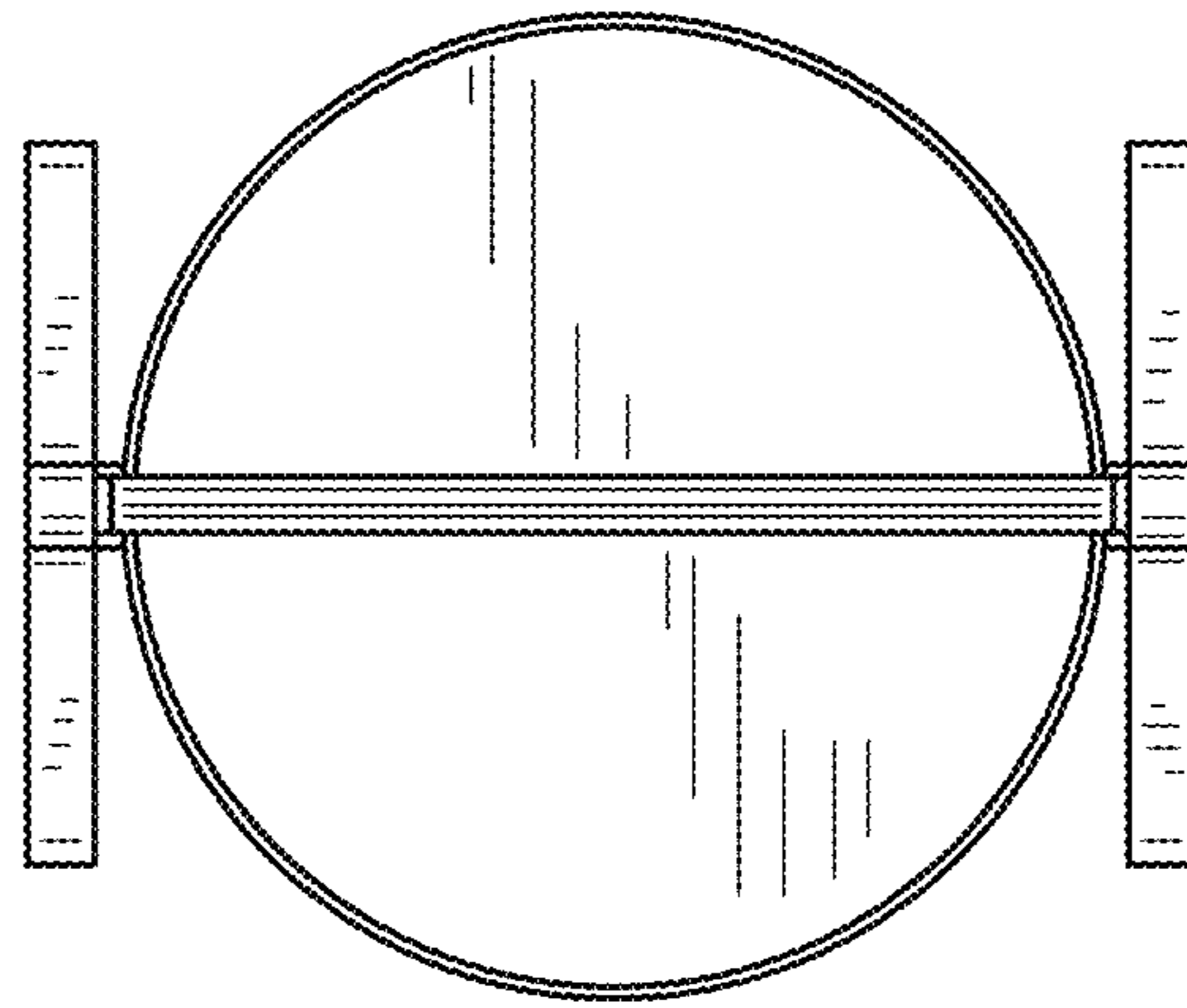


FIG. 6

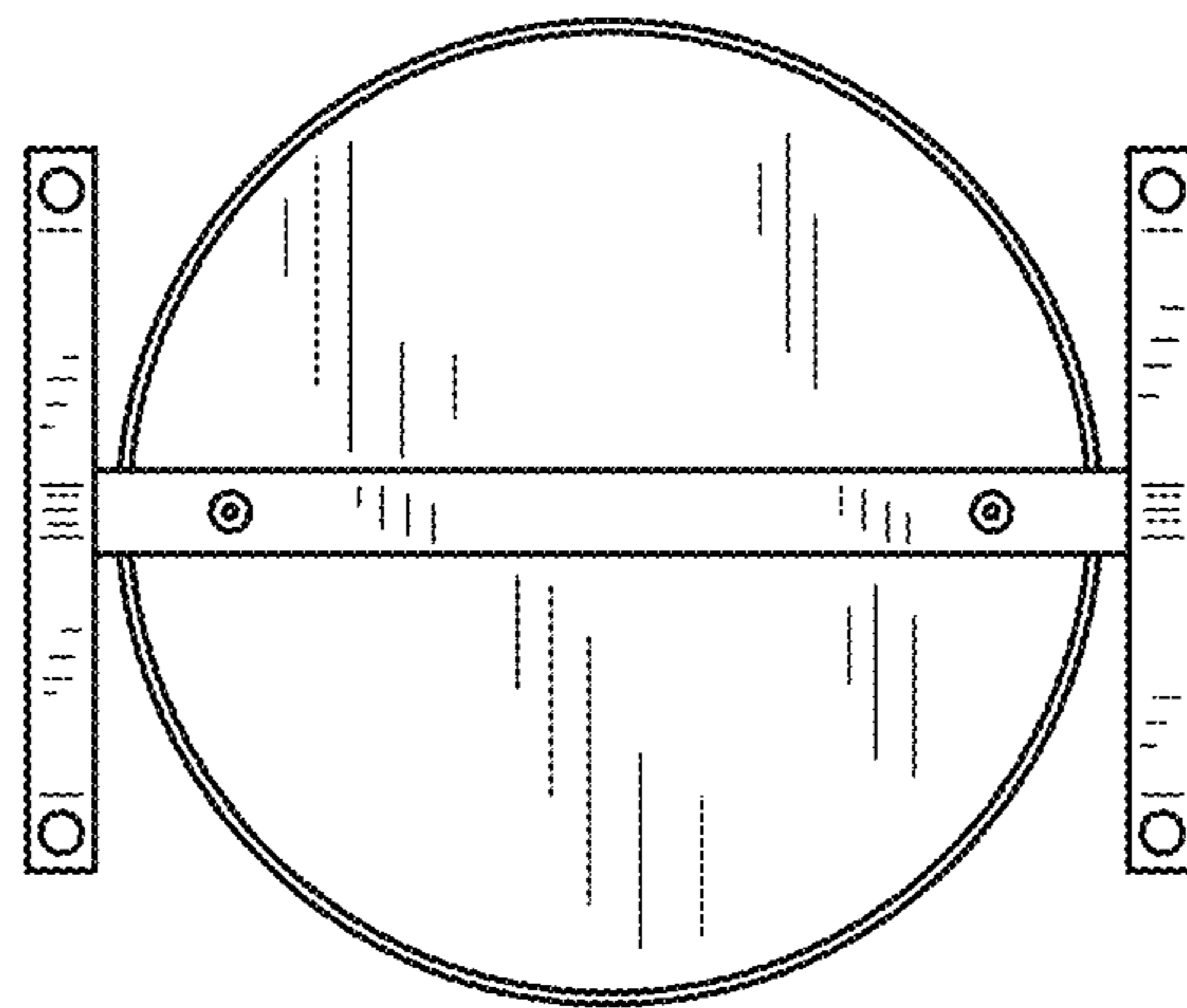


FIG. 7