



US00D845046S

(12) **United States Design Patent** (10) **Patent No.:** **US D845,046 S**  
**Velez** (45) **Date of Patent:** **\*\* \*Apr. 9, 2019**

(54) **TABLE**  
(71) Applicant: **Holly Hunt Enterprises, Inc.**, Chicago, IL (US)  
(72) Inventor: **Alberto Velez**, Chicago, IL (US)  
(73) Assignee: **HOLLY HUNT ENTERPRISES, INC.**  
(\* ) Notice: This patent is subject to a terminal disclaimer.  
(\*\*) Term: **15 Years**  
(21) Appl. No.: **29/574,058**  
(22) Filed: **Aug. 11, 2016**  
(51) **LOC (11) Cl.** ..... **06-03**  
(52) **U.S. Cl.**  
USPC ..... **D6/691.1**  
(58) **Field of Classification Search**  
USPC ..... D6/349, 641, 656, 671, 675, 677, 685, D6/687, 690, 691, 691.1, 691.2, 691.3, D6/691.4, 691.5, 691.9, 693, 695, 695.2, D6/696, 696.1, 697, 697.1, 698, 699, D6/699.2, 703, 707, 708, 709, 709.2, D6/709.21, 692.1, 692  
CPC ..... A47B 7/00; A47B 13/08; A47B 13/10; A47B 21/00; A47B 2009/006; A47B 11/00; A47B 2200/002  
See application file for complete search history.

(56) **References Cited**  
U.S. PATENT DOCUMENTS  
1,652,942 A \* 12/1927 James ..... A47B 3/12 108/159  
2,060,099 A \* 11/1936 McNeff ..... A01J 1/00 248/440

D169,261 S \* 4/1953 Keal ..... 248/165  
D200,713 S \* 3/1965 Pearsall ..... D6/708  
D237,929 S \* 12/1975 Laylon ..... D6/692  
D284,918 S \* 8/1986 McBride ..... D6/708.16  
D453,642 S \* 2/2002 Mascheroni ..... D6/708  
D578,320 S \* 10/2008 Weatherly ..... D6/692  
D622,983 S \* 9/2010 Juskys ..... D6/691  
D652,656 S \* 1/2012 McCurry ..... D6/708  
D655,951 S \* 3/2012 McCurry ..... D6/708  
D662,730 S \* 7/2012 Villiers ..... D6/692  
D668,084 S \* 10/2012 Lehman-Smith ..... D6/708  
D669,695 S \* 10/2012 McCurry ..... D6/349  
D736,017 S \* 8/2015 Rose ..... D6/686  
D772,622 S \* 11/2016 Young ..... D6/691  
D793,781 S \* 8/2017 Gharabegian ..... D6/691  
2003/0121459 A1 \* 7/2003 Lou-Hao ..... A47B 3/091 108/129  
2007/0006781 A1 \* 1/2007 Xiang ..... A47B 13/12 108/27  
2011/0303124 A1 \* 12/2011 Tseng ..... A47B 13/12 108/23

\* cited by examiner

*Primary Examiner* — Mary Ann Calabrese  
*Assistant Examiner* — Sloan Rozin  
(74) *Attorney, Agent, or Firm* — The Belles Group, P.C.

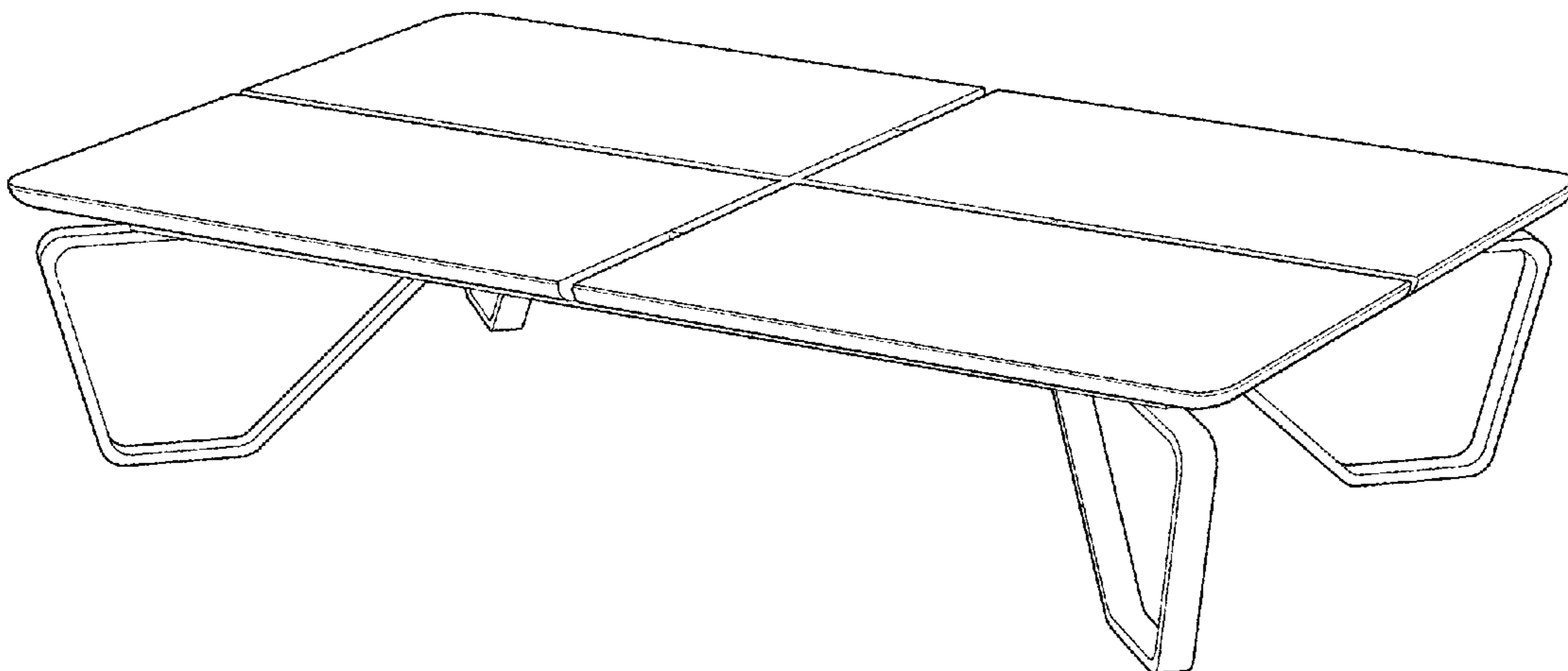
(57) **CLAIM**

The ornamental design for a table, as shown and described.

**DESCRIPTION**

FIG. 1 is a perspective view of a table in accordance with the present design;  
FIG. 2 is an exploded view of the table illustrated in FIG. 1;  
FIG. 3 is a side elevation view of the table illustrated in FIG. 1;  
FIG. 4 is a side view of the table illustrated in FIG. 1;  
FIG. 5 is a top view of the table illustrated in FIG. 1; and,  
FIG. 6 is a bottom view of the table illustrated in FIG. 1.

**1 Claim, 5 Drawing Sheets**



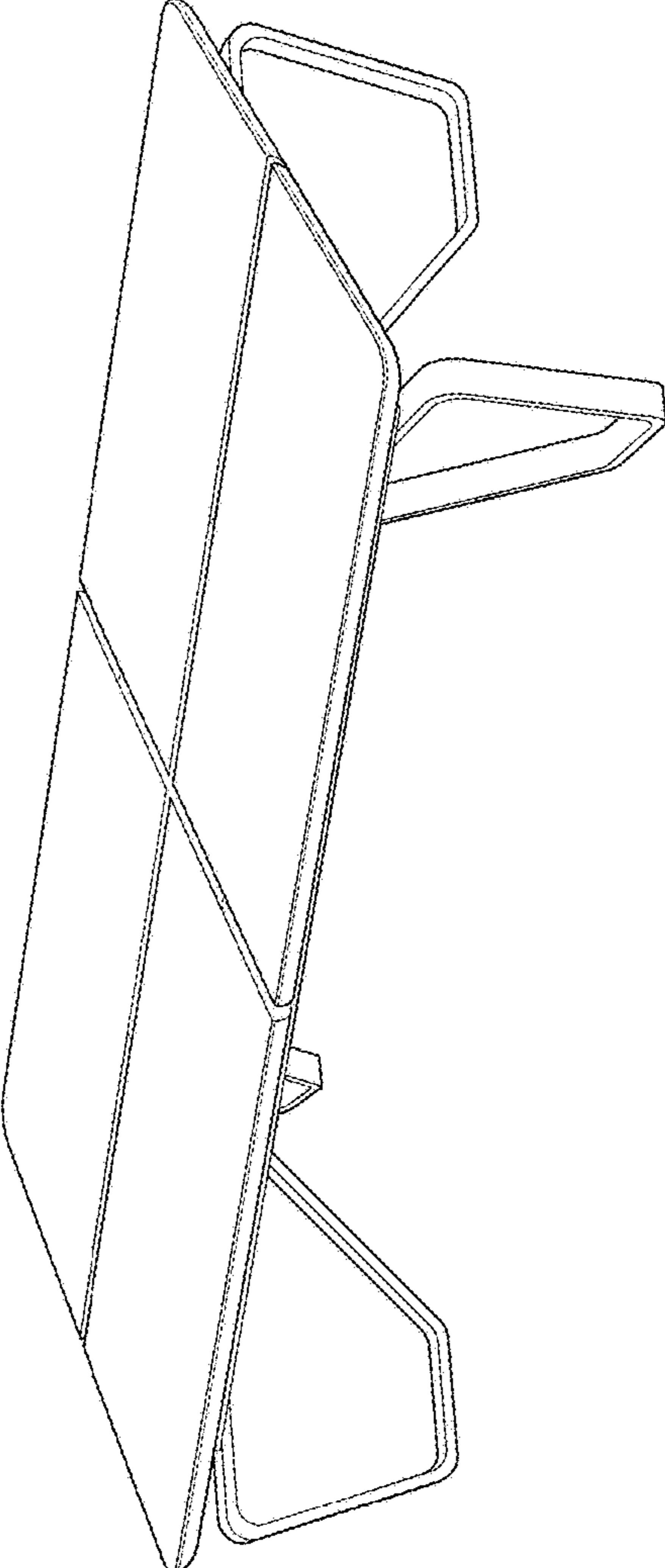


FIG. 1

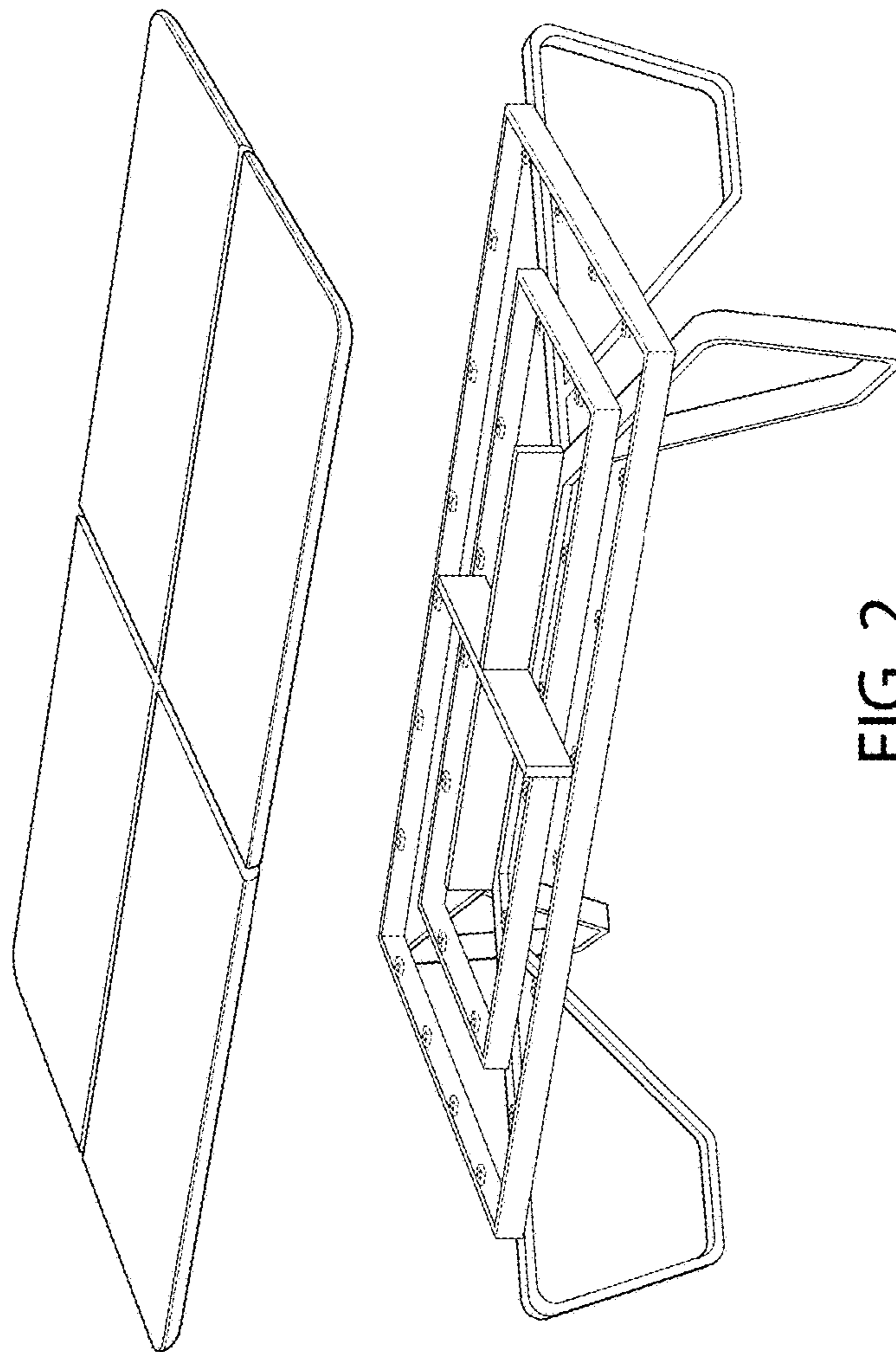


FIG. 2

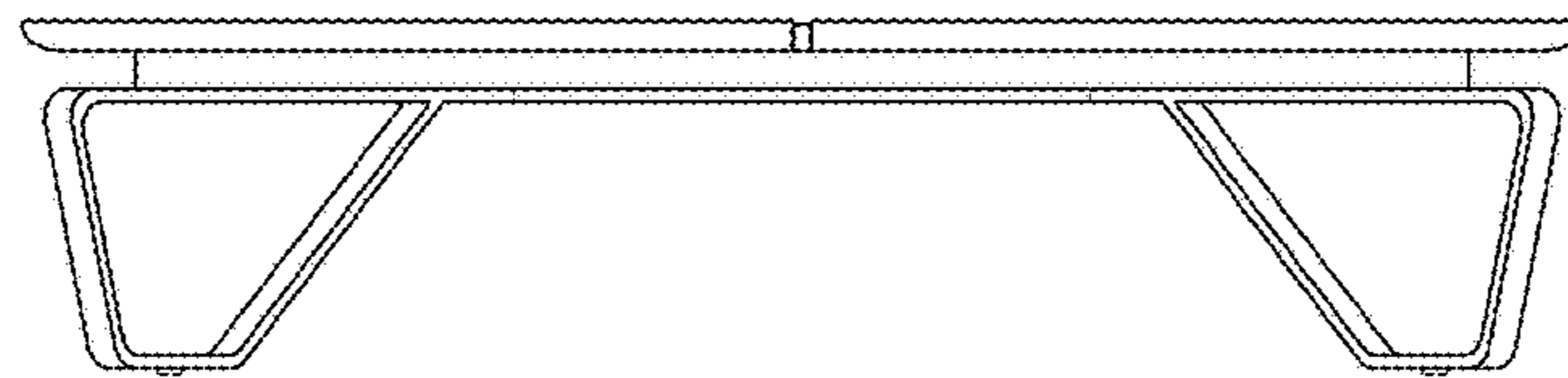


FIG. 3

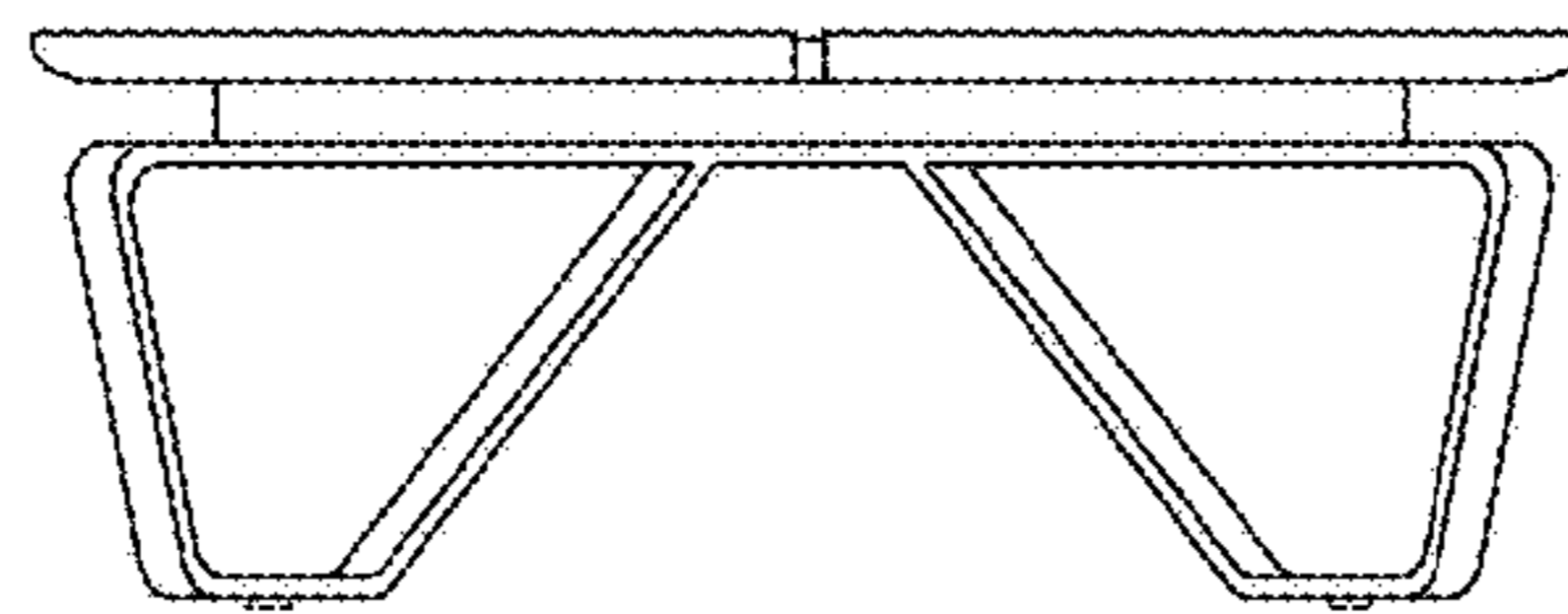


FIG. 4

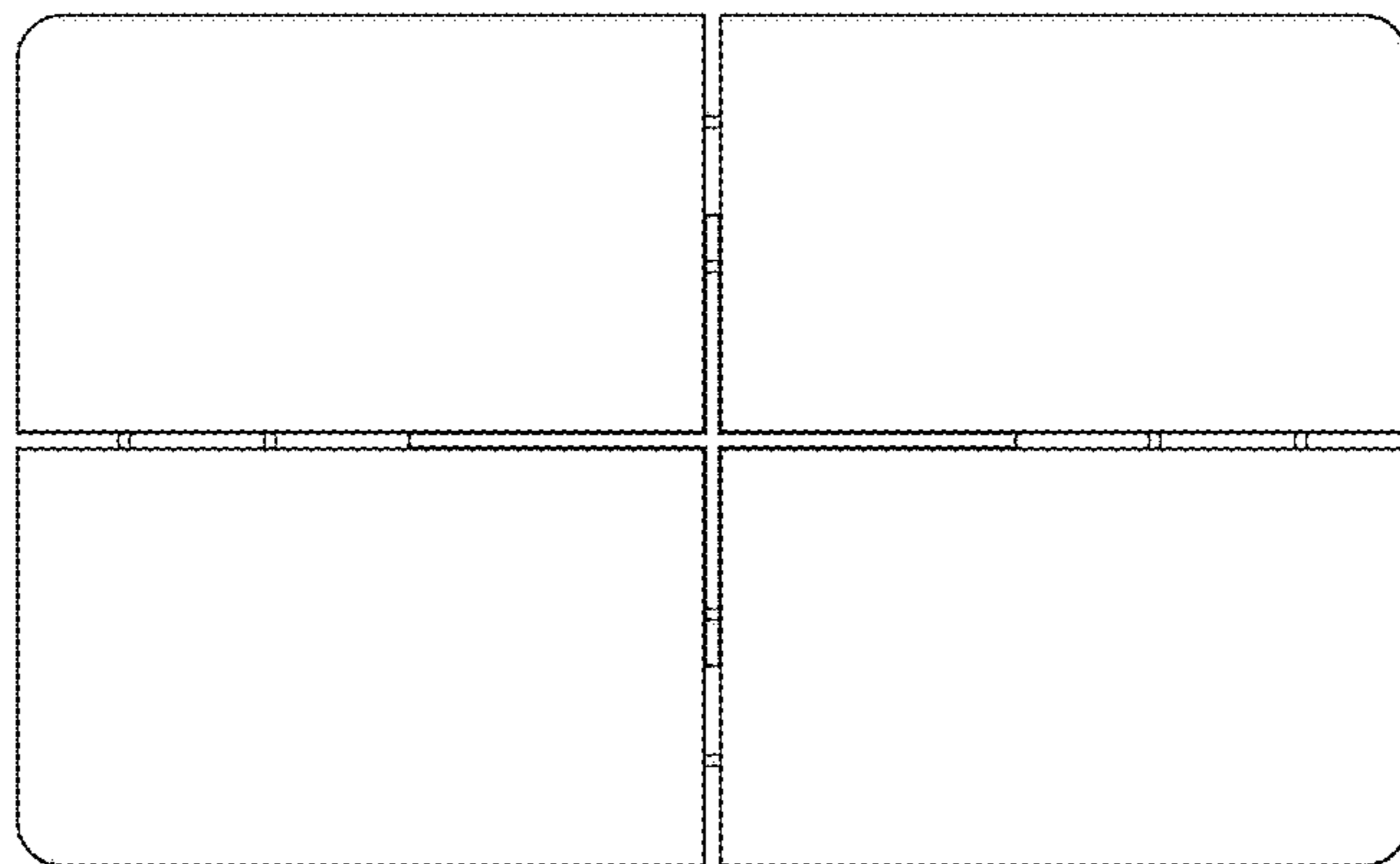


FIG. 5

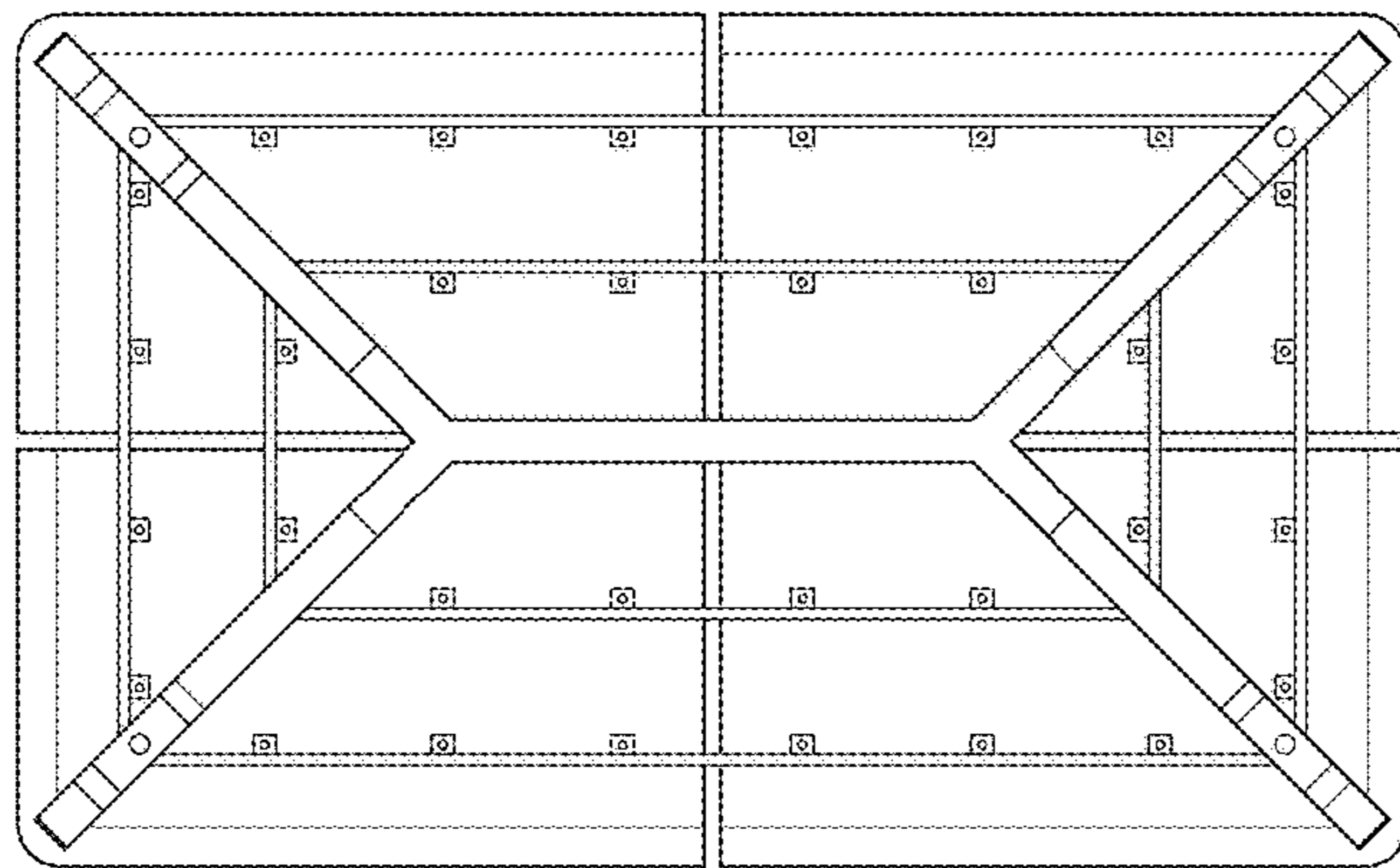


FIG. 6