



US00D845045S

(12) **United States Design Patent**
Dunahay

(10) **Patent No.:** **US D845,045 S**

(45) **Date of Patent:** **** Apr. 9, 2019**

(54) **SHELVING APPARATUS**

(71) Applicant: **Coulter Ventures LLC**

(72) Inventor: **Nash Dunahay**, Gahanna, OH (US)

(73) Assignee: **Coulter Ventures, LLC**, Columbus, OH (US)

(**) Term: **15 Years**

(21) Appl. No.: **29/640,455**

(22) Filed: **Mar. 14, 2018**

(51) **LOC (11) Cl.** **06-06**

(52) **U.S. Cl.**
USPC **D6/681.1**

(58) **Field of Classification Search**
USPC D8/380-381; D6/672, 675, 675.2, 678.1,
D6/678.4, 680.2, 681, 681.1, 681.3,
D6/682.5, 682.6
CPC A47G 25/746; A47G 25/0664; A47F 7/24;
A47F 5/13; A47B 61/00; A47B 57/402
See application file for complete search history.

(56) **References Cited**

U.S. PATENT DOCUMENTS

4,765,493	A *	8/1988	Kinney	B65G 1/023 193/35 R
6,209,731	B1 *	4/2001	Spamer	A47F 1/12 211/59.2
D490,697	S *	6/2004	Runnalls	D8/380
8,424,466	B2 *	4/2013	Botkin	A47B 57/545 108/108
D702,541	S *	4/2014	Mansor	D8/381
D709,107	S *	7/2014	Kim	D15/89
D709,533	S *	7/2014	Park	D15/89
D714,131	S *	9/2014	Mansor	D8/381
D722,622	S *	2/2015	Kim	D15/89
D724,119	S *	3/2015	Kim	D15/89

D724,631	S *	3/2015	Kim	D15/89
D801,734	S *	11/2017	Turner	D6/681.1
2008/0156752	A1 *	7/2008	Bryson	A47F 1/126 211/59.3

OTHER PUBLICATIONS

Product listing for Rogue Monster Mass Storage from <https://web.archive.org/web/20170703212533/http://www.roguefitness.com:80/monster-mass-storage>, dated Jul. 3, 2017.

(Continued)

Primary Examiner — Kelley A Donnelly

(74) *Attorney, Agent, or Firm* — Banner & Witcoff, Ltd.

(57) **CLAIM**

The ornamental design for a shelving apparatus, as shown and described.

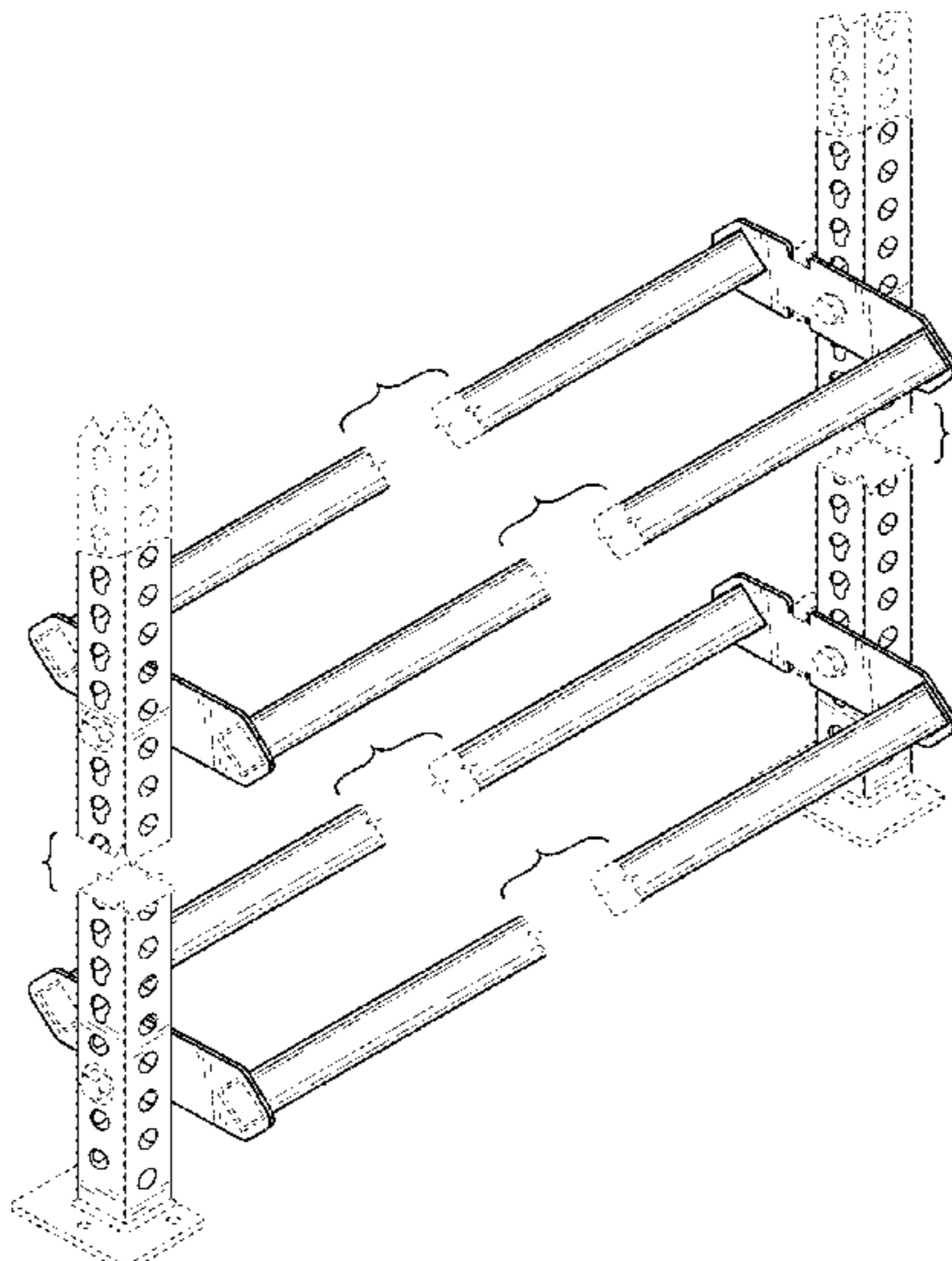
DESCRIPTION

FIG. 1 is a top, front, left perspective view of a shelving apparatus showing my new design;
FIG. 2 is a rear view thereof;
FIG. 3 is a front view thereof;
FIG. 4 is a right side view thereof;
FIG. 5 is a left side view thereof;
FIG. 6 is a top view in thereof;
FIG. 7 is a bottom view in thereof; and,
FIG. 8 is a bottom, rear, right perspective view thereof.

The broken lines immediately adjacent to the shaded area define the bounds of the claimed design and form no part thereof. The broken lines depicting the remainder of the shelving apparatus show features that form no part of the claimed design. The appearance of any portion of the article between the zig-zag lines forms no part of the claimed design.

The break lines shown in FIGS. 1 through 8 are not part of the claimed design and represent that no particular length is claimed.

1 Claim, 7 Drawing Sheets



(56)

References Cited

OTHER PUBLICATIONS

Product listing for 2-Tier Mass Storage System—43" from <https://web.archive.org/web/20170710064814/http://www.roguefitness.com:80/2-tier-mass-storage-system-43>, dated Jul. 10, 2017.

Product listing for 3-Tier Mass Storage System—43" from <https://web.archive.org/web/20170621060447/http://www.roguefitness.com/3-tier-mass-storage-system-43>, dated Jun. 21, 2017.

Product listing for 2-Tier Mass Storage System—70" from <https://web.archive.org/web/20170718163236/http://www.roguefitness.com:80/2-tier-mass-storage-system-70>, dated Jul. 18, 2017.

Product listing for 3-Tier Mass Storage System—70" from <https://web.archive.org/web/20170621022248/http://www.roguefitness.com/3-tier-mass-storage-system-70>, dated Jun. 21, 2017.

Photos of Rogue Universal Storage System 2.0 from <https://web.archive.org/web/20170701060527/http://www.roguefitness.com:80/rogue-universal-storage-system-2-0>, dated Jul. 1, 2017.

Product listing for Rogue Mass Storage Add-Ons from <https://web.archive.org/web/20170620230340/http://www.roguefitness.com/rogue-mass-storage-add-ons>, dated Jun. 20, 2017.

Product listing for Rogue 3 Tier Dumbbell Rack from <https://web.archive.org/web/20170719122936/http://www.roguefitness.com:80/rogue-3-tier-dumbbell-rack>, dated Jul. 19, 2017.

* cited by examiner

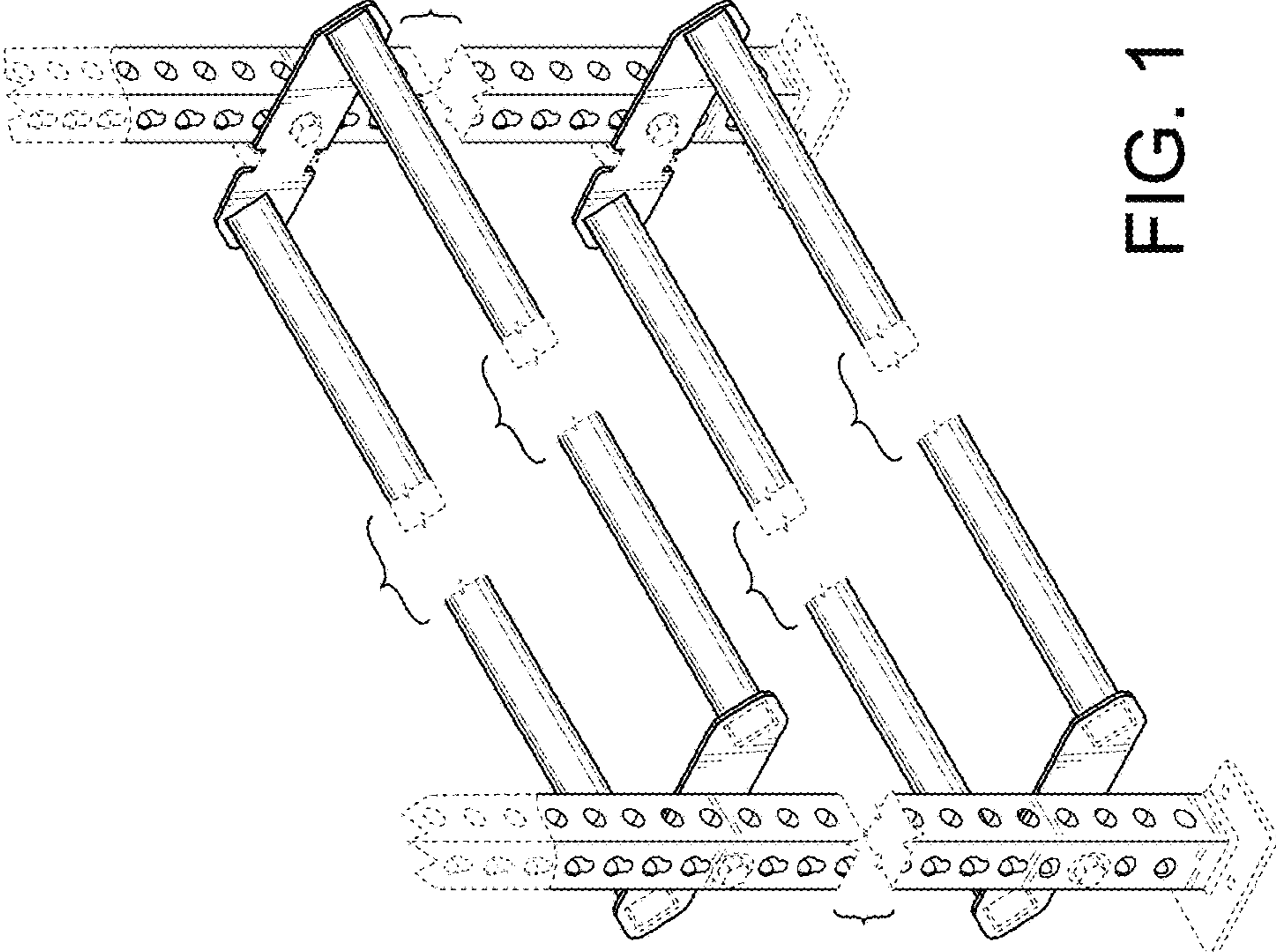


FIG. 1

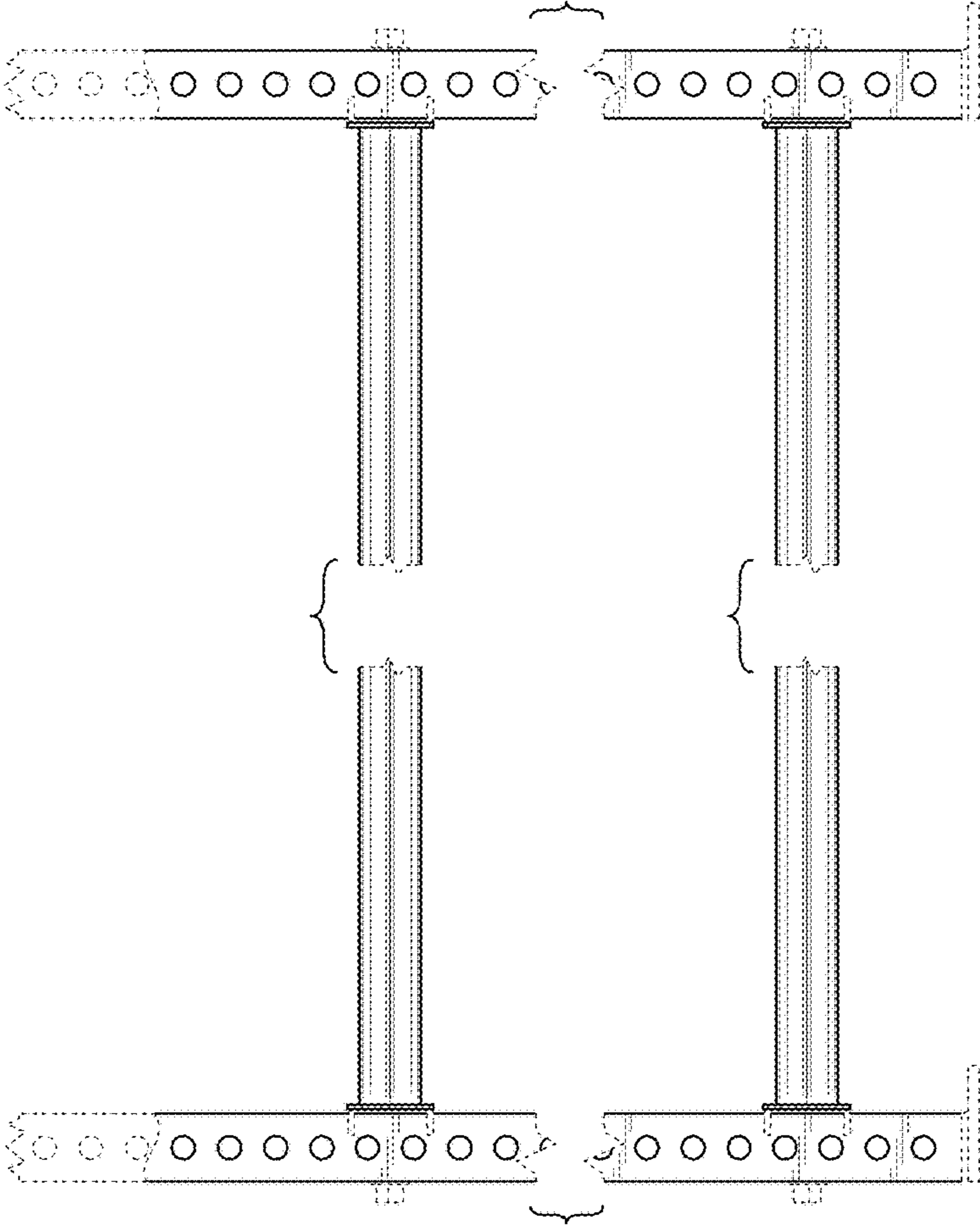


FIG. 2

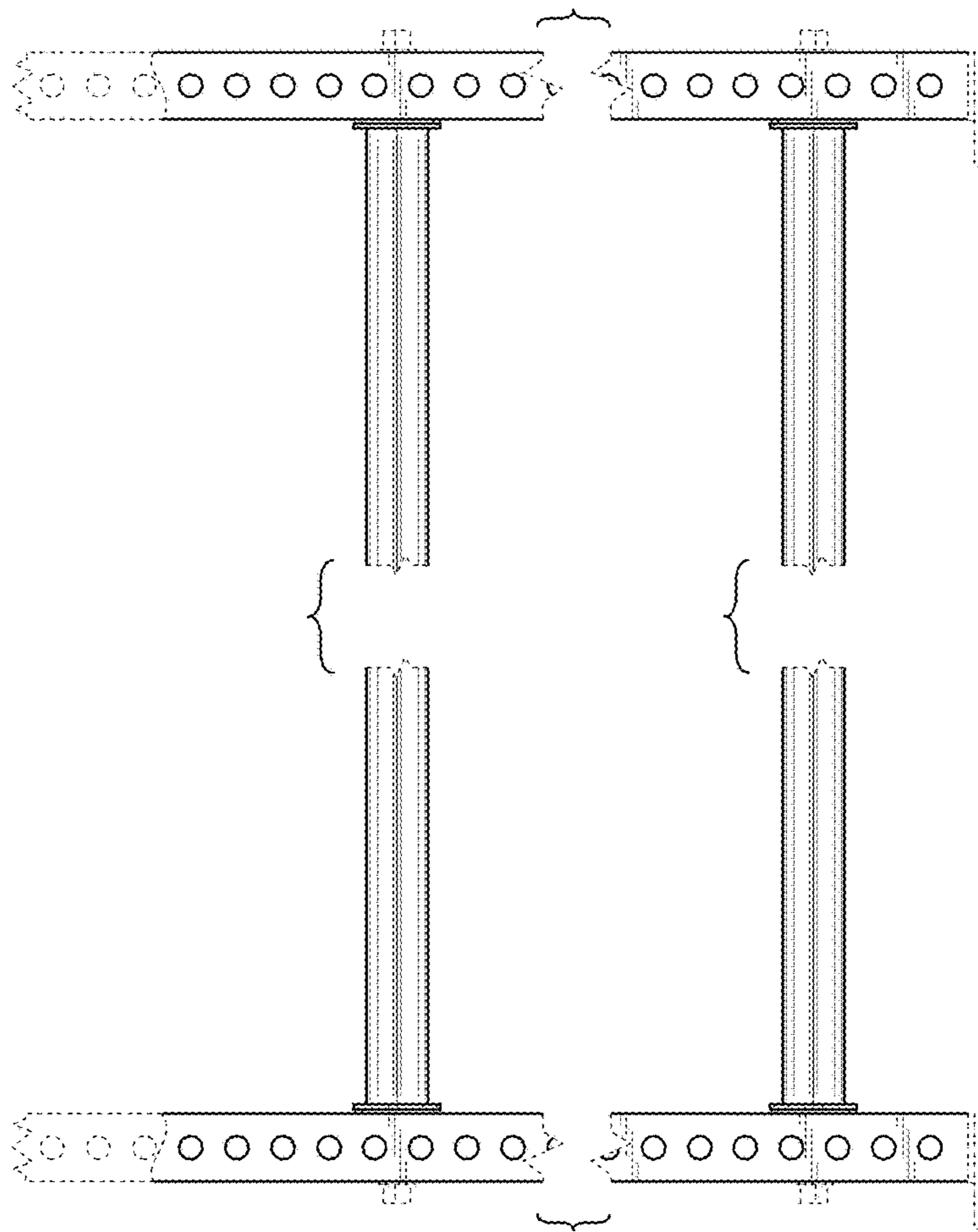
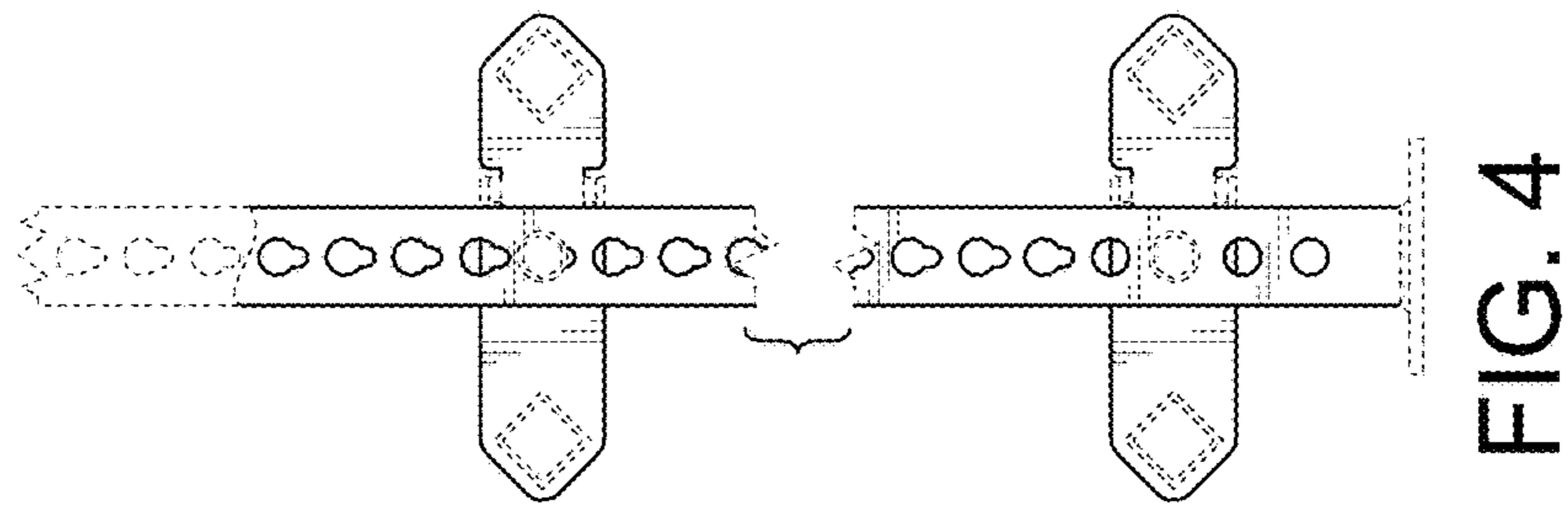
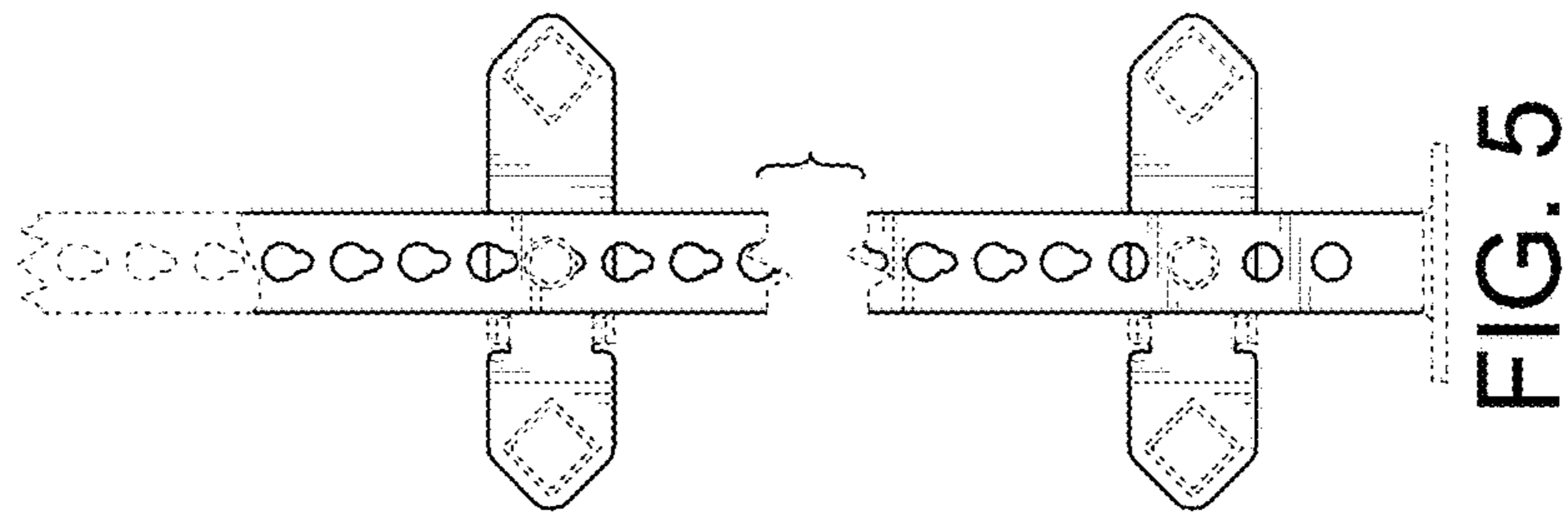


FIG. 3





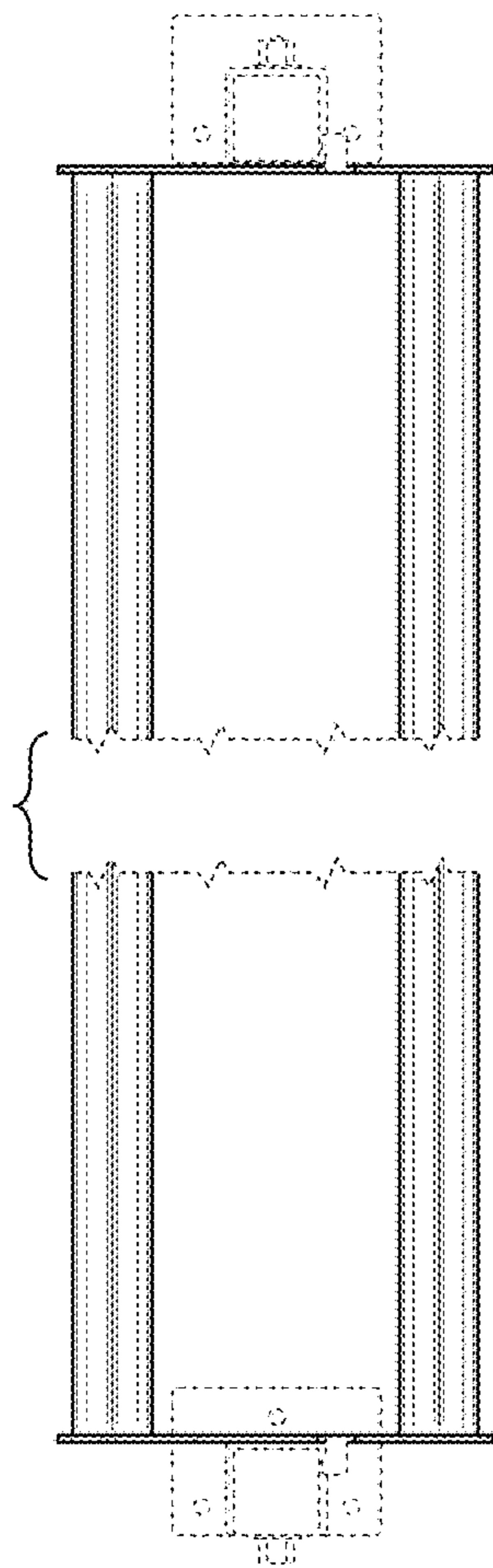


FIG. 6

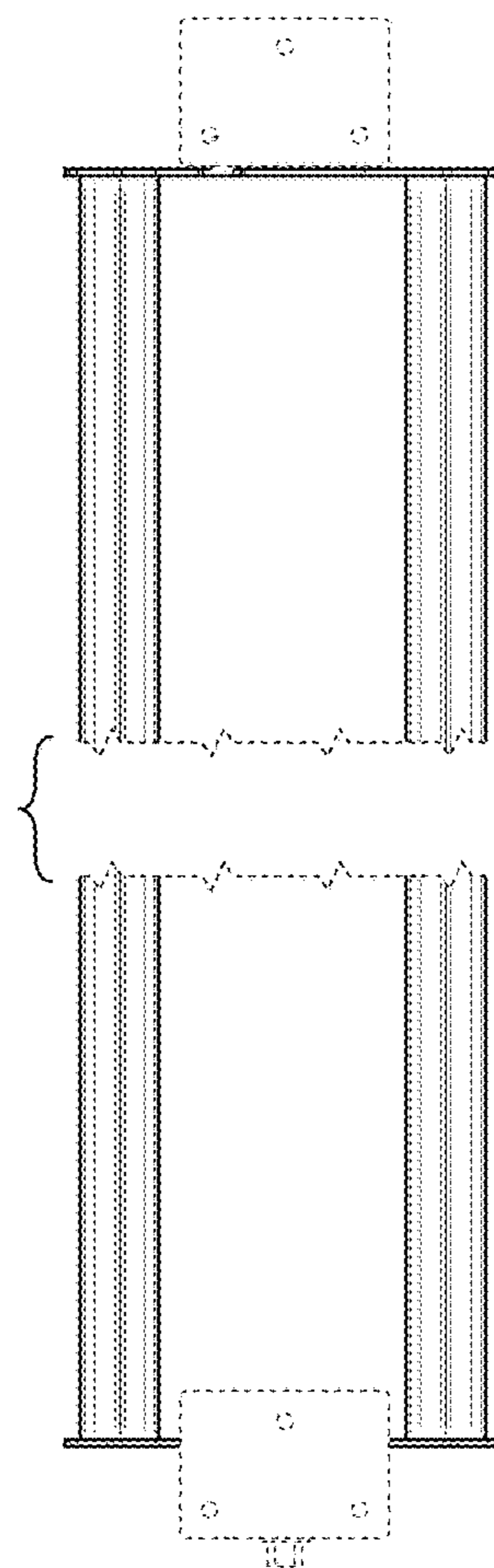


FIG. 7

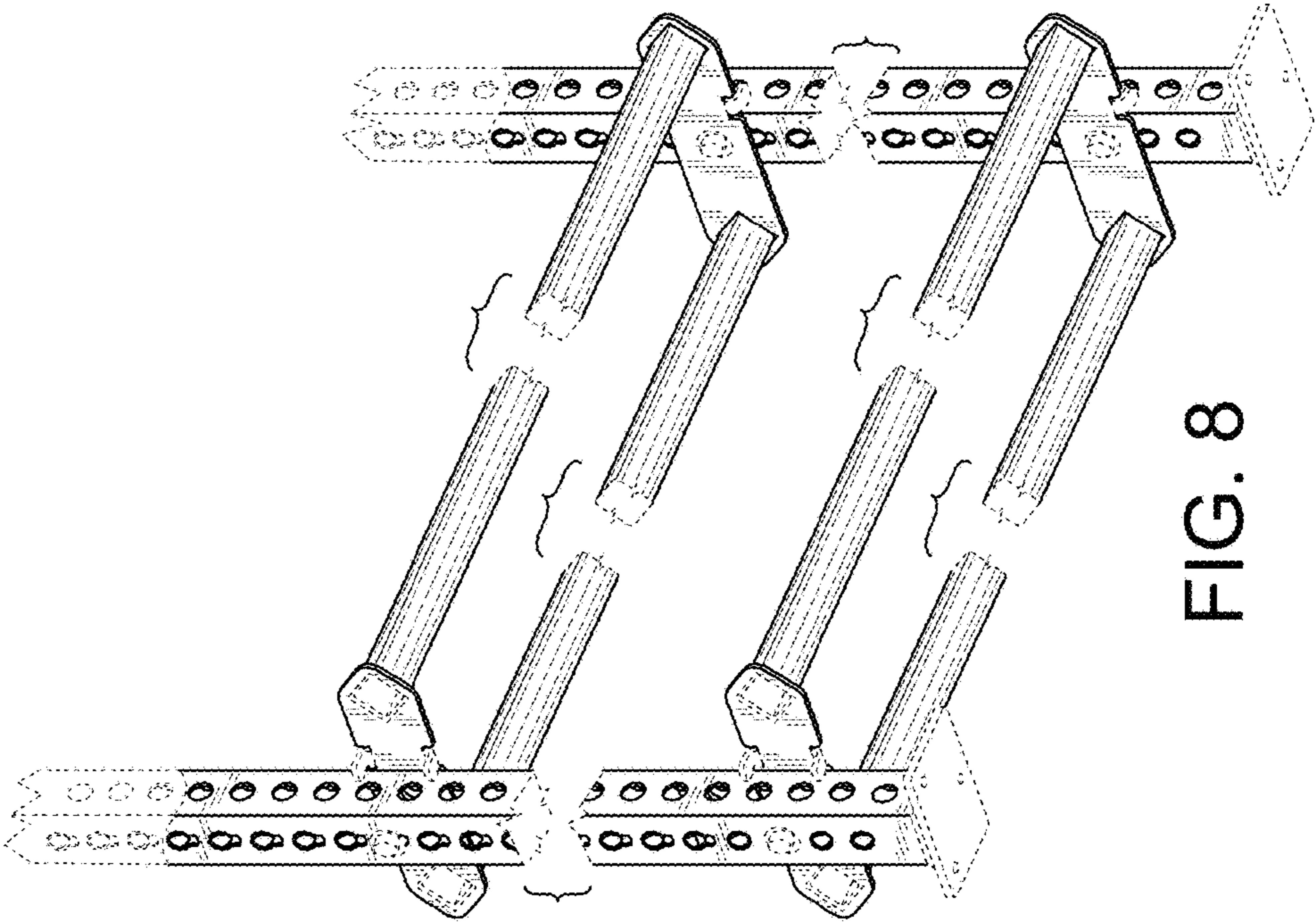


FIG. 8