



US00D845043S

(12) **United States Design Patent** (10) **Patent No.:** **US D845,043 S**
Allen et al. (45) **Date of Patent:** **** Apr. 9, 2019**

(54) **SHELVING UNIT**
(71) Applicant: **Steelcase Inc.**, Grand Rapids, MI (US)
(72) Inventors: **John Mark Allen**, Grand Rapids, MI (US); **Colin Cote**, Grand Rapids, MI (US); **Bryan Mark Wahfield**, Grand Rapids, MI (US); **Bradley Youngs**, Byron Center, MI (US)

(73) Assignee: **Steelcase Inc.**, Grand Rapids, MI (US)

(**) Term: **15 Years**

(21) Appl. No.: **29/642,622**

(22) Filed: **Mar. 30, 2018**

(51) **LOC (11) Cl.** **06-06**

(52) **U.S. Cl.**
USPC **D6/675**

(58) **Field of Classification Search**
USPC D6/672-673, 675, 675.1, 675.3, 705
CPC A47B 47/02; A47B 47/04; A47B 63/00;
A47F 5/00; A47F 5/0018
See application file for complete search history.

(56) **References Cited**

U.S. PATENT DOCUMENTS

897,076 A	8/1908	Eustis	
D238,531 S	1/1976	Vrignaud	
4,343,245 A *	8/1982	Edwards A47B 47/0083 108/193
4,865,402 A	9/1989	Walter	
4,946,050 A	8/1990	Akopianz	
D422,171 S	4/2000	Mahlmann	
D429,095 S *	8/2000	Grosfillex D6/675.1
D450,510 S	11/2001	Gottwald	
D454,737 S *	3/2002	Carrabba D6/705
D477,169 S	7/2003	Hoernig	

D496,545 S *	9/2004	McDiarmid D6/675.1
D569,152 S	5/2008	Hefner et al.	
D577,939 S	10/2008	Rubin et al.	
D695,555 S	12/2013	Wind	
D715,073 S *	10/2014	Simonetti D6/574
D730,664 S *	6/2015	Klein D6/675.1
D785,978 S *	5/2017	Brown D6/675.1
D819,377 S *	6/2018	Brown D6/705
D821,788 S *	7/2018	Velez D6/687
2010/0205868 A1	8/2010	Williams et al.	

* cited by examiner

Primary Examiner — Kelley A Donnelly

(74) *Attorney, Agent, or Firm* — Brinks Gilson & Lione

(57) **CLAIM**

We claim the ornamental design for a shelving unit, as shown and described.

DESCRIPTION

FIG. 1 is a top front perspective view of a shelving unit; FIG. 2 is a top plan view thereof; FIG. 3 is a bottom plan view thereof; FIG. 4 is a rear elevation view thereof; FIG. 5 is a front elevation view thereof; FIG. 6 is a left side elevation view thereof; FIG. 7 is a right side elevation view thereof; FIG. 8 is a bottom front perspective view thereof; and, FIG. 9 is a top rear perspective view thereof. Uniform broken lines show environmental structure that forms no part of the presently claimed design, while the dash-dot-dash phantom lines of symbolic break illustrate that the marked items can vary dimensionally along the interrupted axis within the scope of the presently claimed design and the portion of the design between those phantom break lines forms no part of the claimed design.

1 Claim, 7 Drawing Sheets

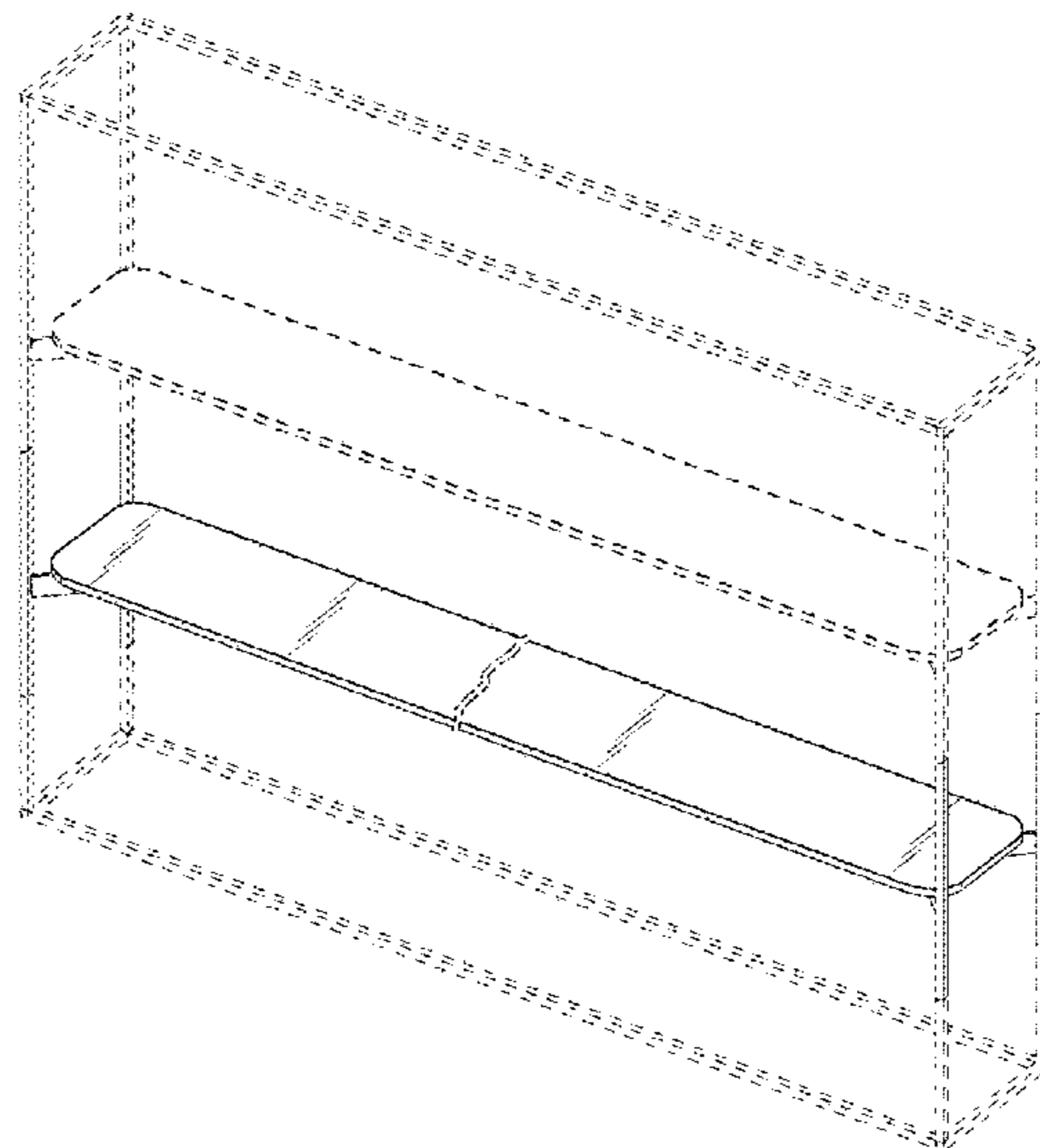


FIG. 1

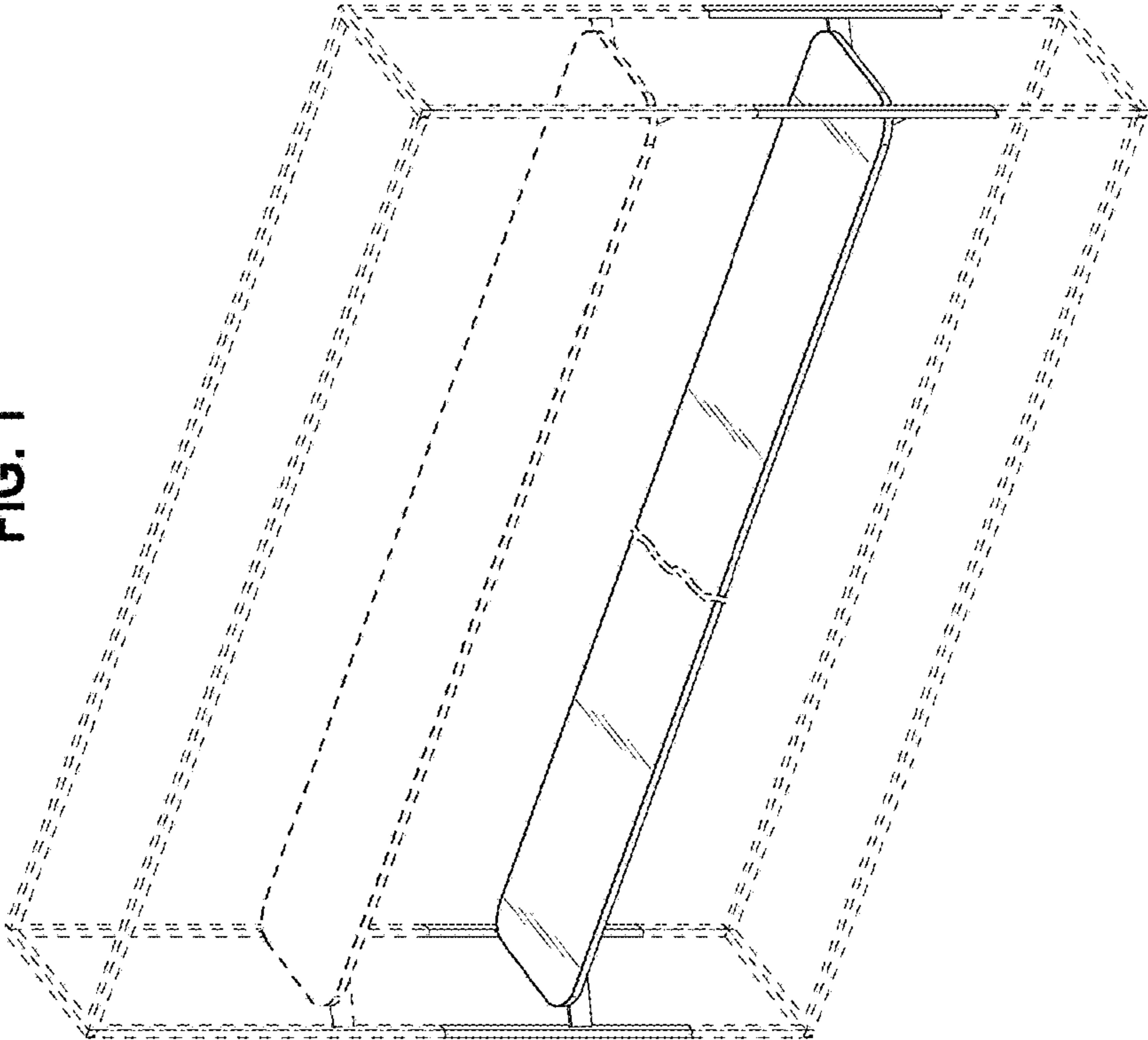


FIG. 2

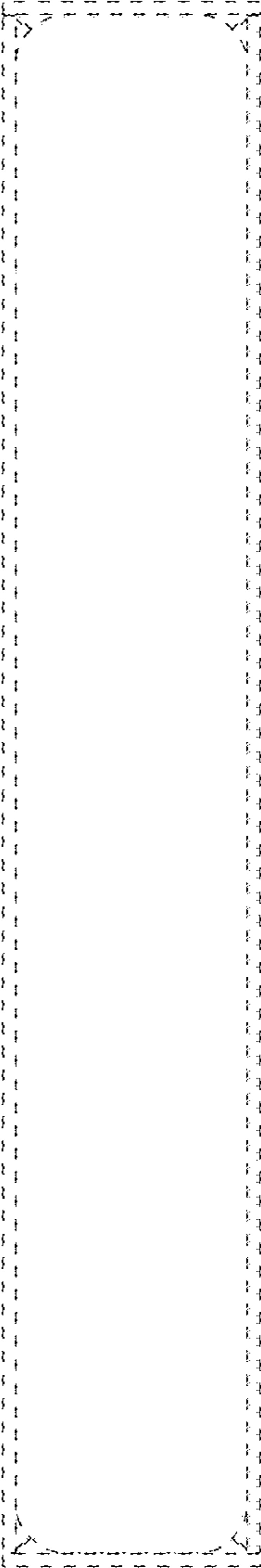


FIG. 3

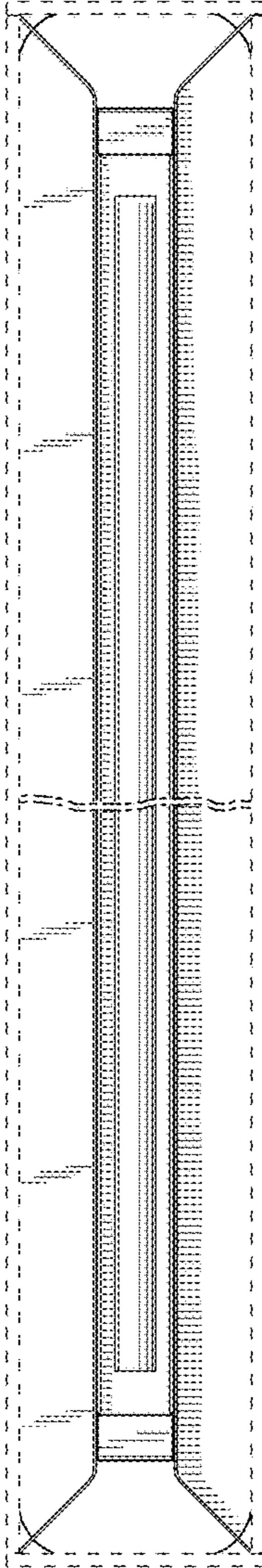


FIG. 4

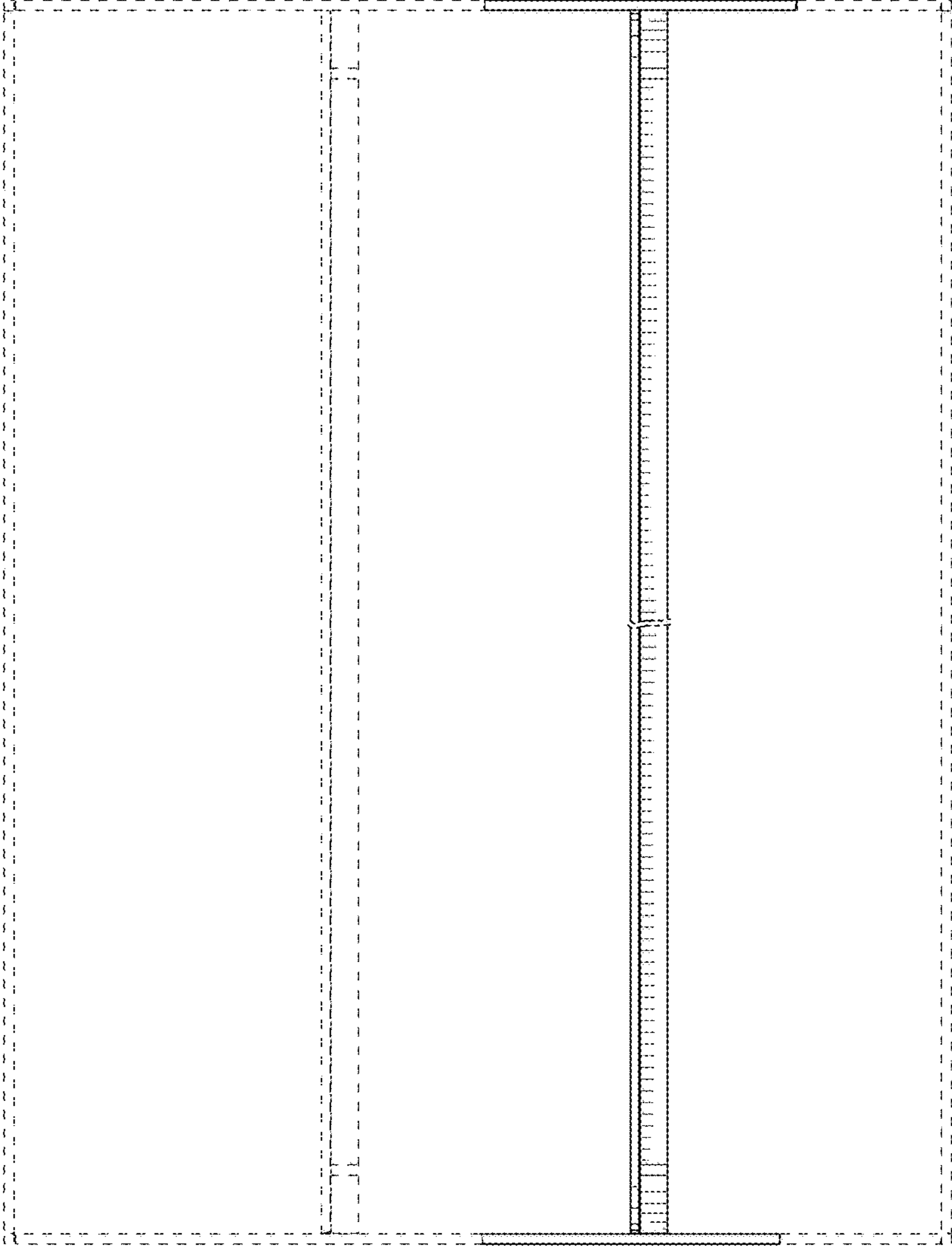


FIG. 5

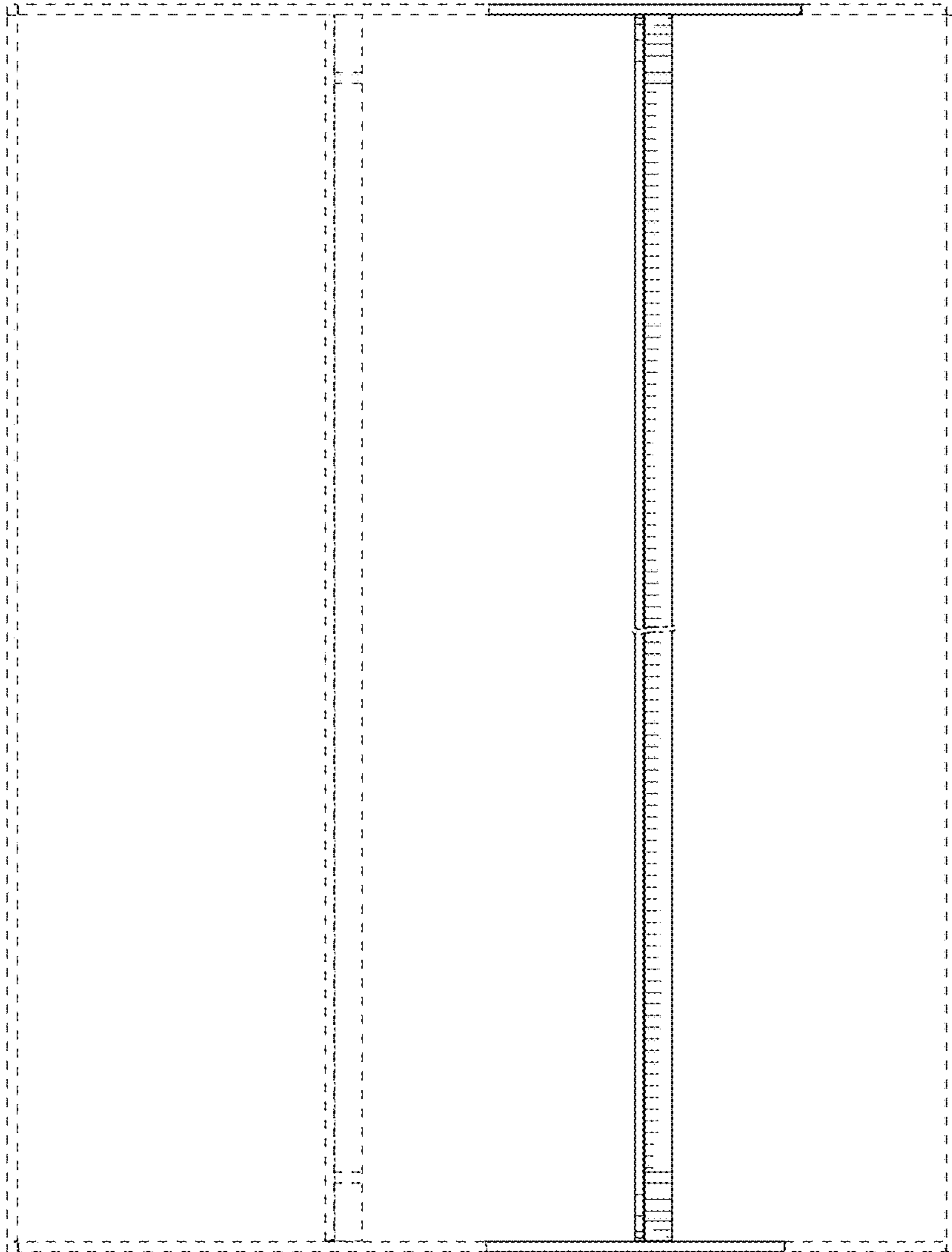


FIG. 7



FIG. 6



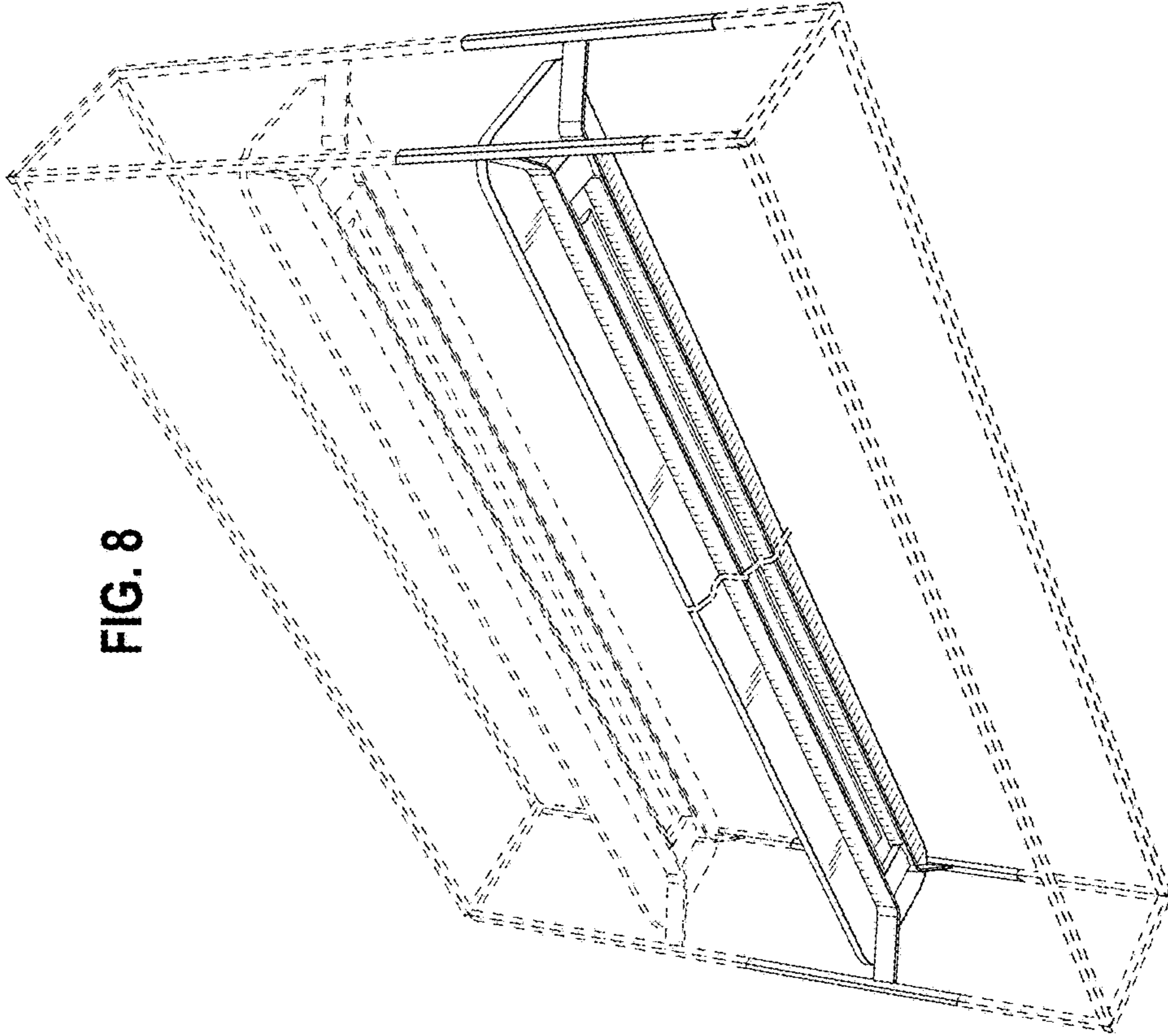
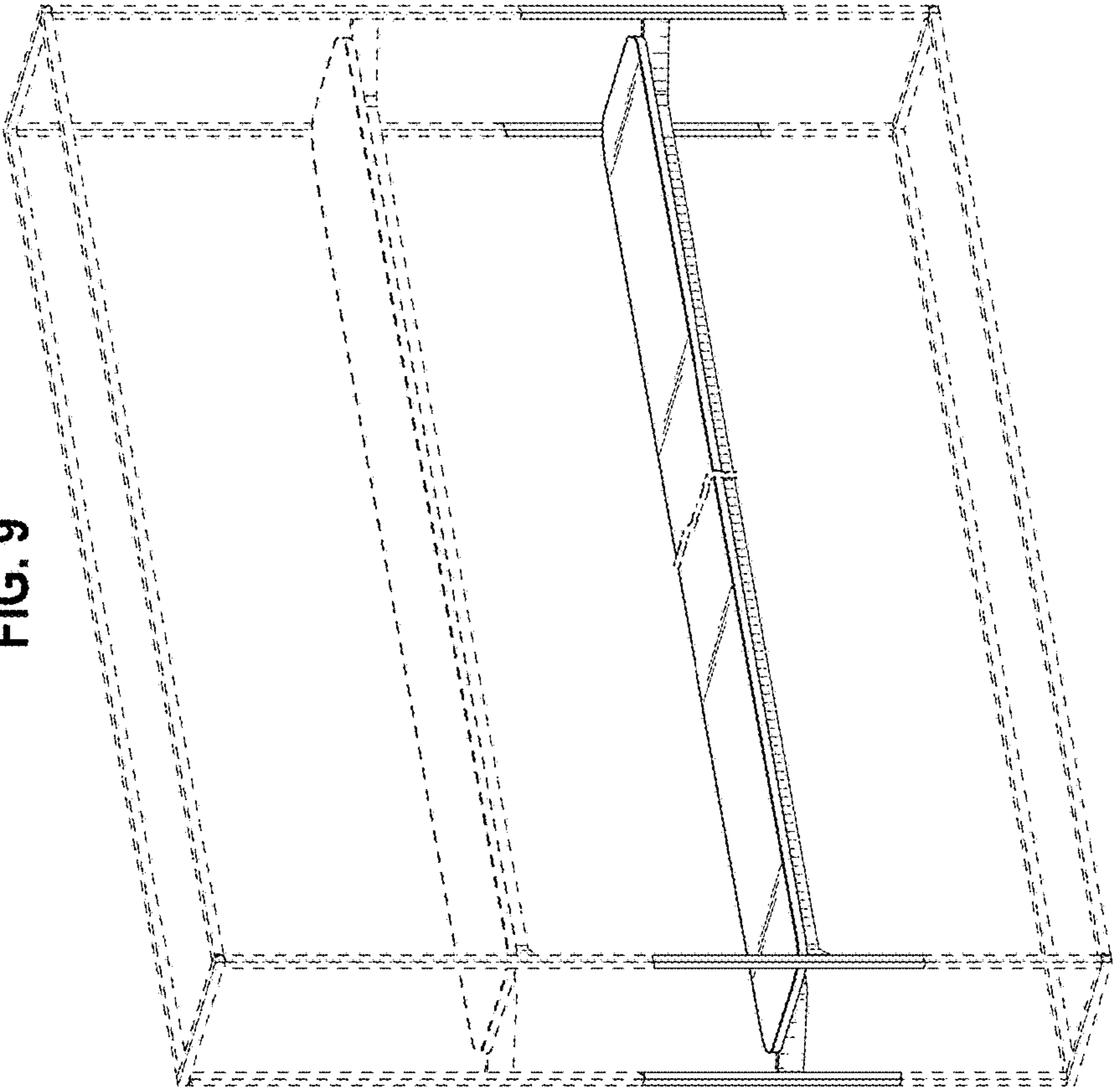


FIG. 8

FIG. 9



UNITED STATES PATENT AND TRADEMARK OFFICE
CERTIFICATE OF CORRECTION

PATENT NO. : D845,043 S
APPLICATION NO. : 29/642622
DATED : April 9, 2019
INVENTOR(S) : John Mark Allen et al.

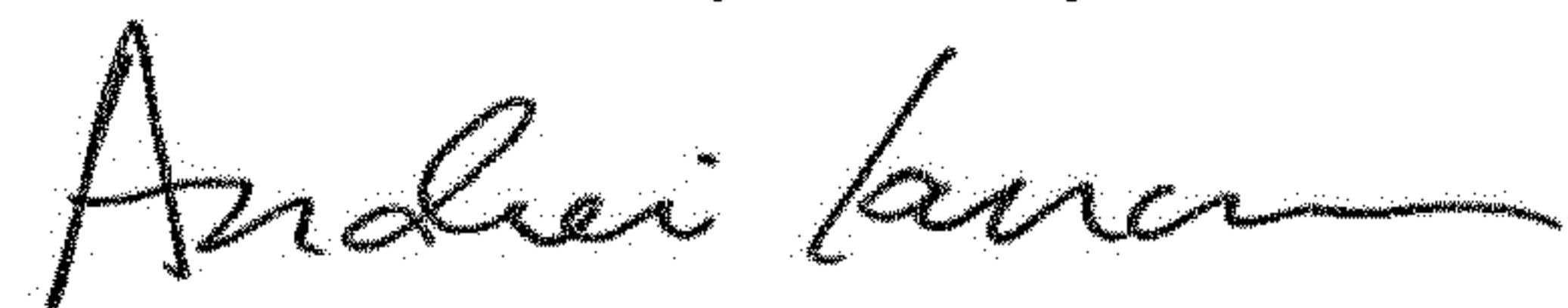
Page 1 of 1

It is certified that error appears in the above-identified patent and that said Letters Patent is hereby corrected as shown below:

On the Title Page

(72) Line 3, Replace Bryan Mark Wahfield with Bryan Mark Wahlfield

Signed and Sealed this
Second Day of July, 2019



Andrei Iancu
Director of the United States Patent and Trademark Office