

US00D845041S

(12) **United States Design Patent** (10) **Patent No.:** **US D845,041 S**
Davis et al. (45) **Date of Patent:** **** Apr. 9, 2019**

(54) **STAND**
(71) Applicant: **WALKER EDISON FURNITURE COMPANY, LLC**, Salt Lake City, UT (US)
(72) Inventors: **Matthew Davis**, Murray, UT (US); **Brad Bonham**, Draper, UT (US); **Richard Packer**, Kaysville, UT (US)
(73) Assignee: **Walker Edison Furniture Company LLC**, Salt Lake City, UT (US)

D281,901 S 12/1985 Demrick
D283,343 S 4/1986 Haythornthwaite
D305,930 S 2/1990 MacAleese
D327,735 S 7/1992 Smith
D328,341 S 7/1992 Chiu
D329,693 S 9/1992 Mills
(Continued)

FOREIGN PATENT DOCUMENTS

CA 164489 4/2016
CA 165553 7/2016
(Continued)

(**) Term: **15 Years**

OTHER PUBLICATIONS

(21) Appl. No.: **29/634,889**
(22) Filed: **Jan. 25, 2018**
(51) **LOC (11) Cl.** **06-06**
(52) **U.S. Cl.**
USPC **D6/675**
(58) **Field of Classification Search**
USPC D6/334, 349, 641-642, 653-653.1, D6/654-654.1, 655-655.1, 657, 673, 675
CPC A47B 39/00; A47B 83/02; A47C 5/14; A47C 15/00; A47C 11/00
See application file for complete search history.

Media Console with Electric Fireplace, image post date Dec 6, 2015, site visited Aug. 8, 2016, (online), <<http://www.overstock.com/Home-Garden/Media-Console-with-Electric-Fireplace-in-Barnwood/10309735/product.html?recset=05953330-aaa1-4640-a796-f225c2f8176d&refcid=MRISGGBB2MZGZXYKK4EFV125H6Q&recalg=809,828,512&recidx=1#reviews>>
(Continued)

Primary Examiner — Kelley A Donnelly
(74) *Attorney, Agent, or Firm* — Workman Nydegger

(57) **CLAIM**

The ornamental design for a stand, as shown and described.

(56) **References Cited**

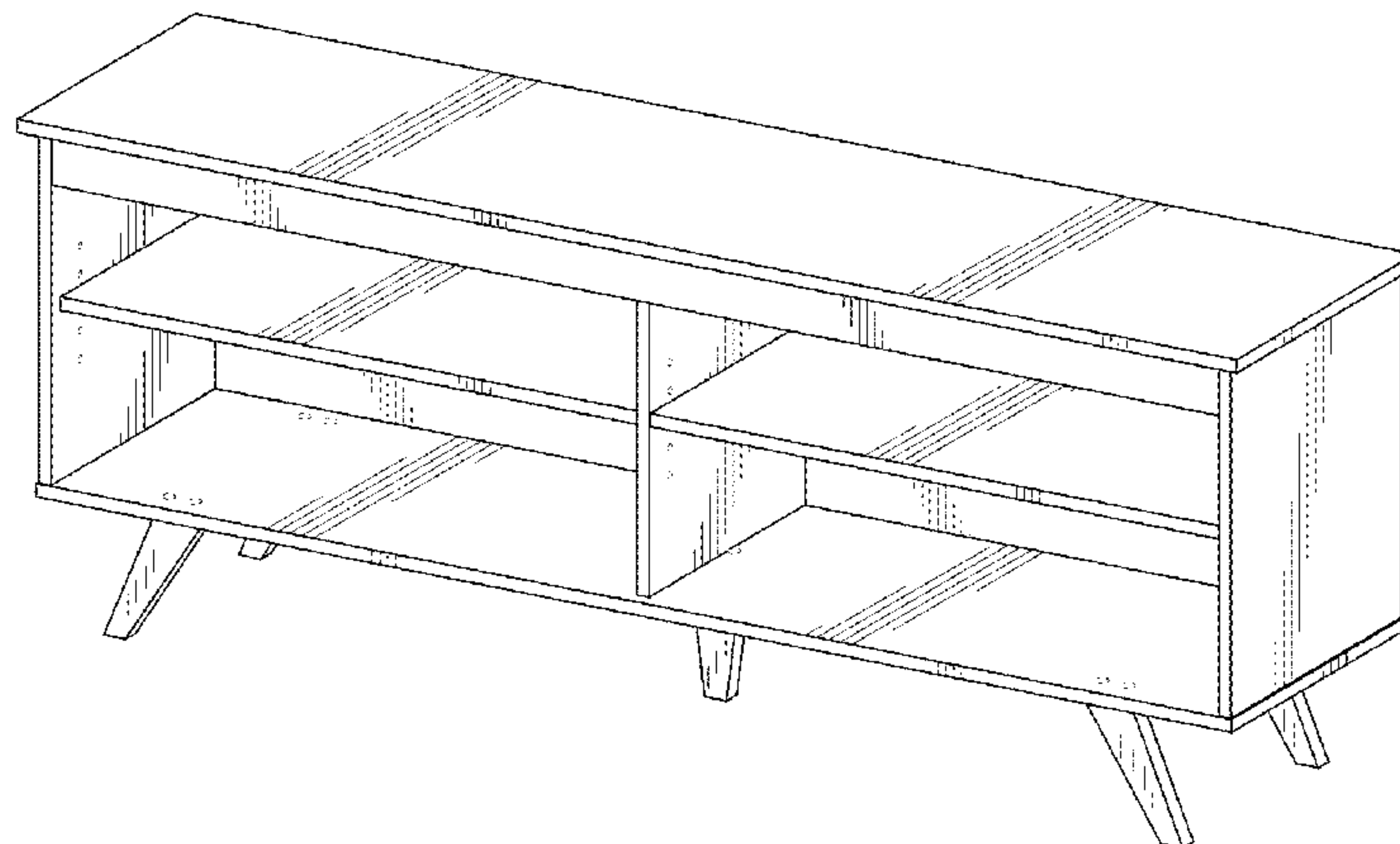
DESCRIPTION

U.S. PATENT DOCUMENTS

245,925 A 8/1881 Kinsley
309,799 A 12/1884 Poulsen
D47,600 S 7/1915 Koch
D66,889 S 3/1925 Schleicher
D68,065 S 8/1925 Schleicher
D78,127 S 3/1929 Schleicher
2,207,307 A 7/1940 Teller
D166,077 S 3/1952 Haas
2,743,720 A 5/1956 Lewis
3,354,878 A 11/1967 Balls
D238,277 S 12/1975 Parker
D243,908 S * 4/1977 Neff D30/104
D270,858 S 10/1983 McInnes

FIG. 1 is a front perspective view of a stand showing the new design;
FIG. 2 is a front elevation view thereof;
FIG. 3 is a back elevation view thereof;
FIG. 4 is a top plan view thereof;
FIG. 5 is a bottom plan view thereof;
FIG. 6 is a left elevation view thereof; and,
FIG. 7 is a right elevation view thereof.
The broken lines in the drawings illustrate portions of the stand that form no part of the claimed design

1 Claim, 4 Drawing Sheets



(56)

References Cited

U.S. PATENT DOCUMENTS

D348,726 S 7/1994 Wilson
 D366,110 S 1/1996 Darr
 D390,936 S 2/1998 French
 5,752,500 A 5/1998 Jamieson
 5,782,231 A 7/1998 Wade
 D407,577 S 4/1999 Dorst
 D420,114 S 2/2000 Johnson
 D423,810 S 5/2000 Dorst
 D431,737 S * 10/2000 Veeley D6/691.8
 D452,624 S 1/2002 de Blois
 6,393,207 B1 5/2002 Martin
 6,515,262 B1 2/2003 Li
 D478,432 S 8/2003 Juneau
 D485,709 S 1/2004 de Blois
 D492,989 S 7/2004 Beck
 D499,274 S 12/2004 Juneau
 D519,203 S 4/2006 Haas
 D519,299 S * 4/2006 Boudreau D6/657
 D534,379 S * 1/2007 Juneau D6/691.8
 D543,728 S 6/2007 Becker
 D548,488 S 8/2007 Weatherly
 D549,991 S 9/2007 Stravitz
 D554,393 S 11/2007 Yalif
 D555,397 S 11/2007 Yalif
 D559,583 S 1/2008 Zambelli
 D559,584 S 1/2008 Zambelli
 D560,077 S 1/2008 Zambelli
 D560,396 S 1/2008 Weatherly
 D560,930 S 2/2008 Woodward
 D561,317 S 2/2008 Ou
 D562,597 S 2/2008 Weatherly
 D564,789 S 3/2008 Decarolis
 D567,346 S 4/2008 Lin
 D587,483 S 3/2009 Zambelli
 D587,484 S 3/2009 Domack
 D587,497 S 3/2009 Zambelli
 D589,280 S 3/2009 Zambelli
 7,530,538 B2 5/2009 Whalen
 D593,776 S 6/2009 Sexton
 D594,248 S 6/2009 Zambelli
 D605,874 S 12/2009 Zambelli
 D611,727 S 3/2010 Vail
 D618,015 S 6/2010 Sexton
 D620,278 S 7/2010 Zambelli
 D622,834 S 8/2010 Jiang
 D623,442 S 9/2010 Zambelli
 D623,876 S 9/2010 Zambelli
 D623,877 S 9/2010 Zambelli
 D625,123 S 9/2010 Zambelli
 D632,902 S 2/2011 Rafieha
 D636,617 S * 4/2011 Lara D6/678.1
 D638,922 S 5/2011 Zhou
 7,934,494 B1 5/2011 Schneider
 D641,861 S 7/2011 Okamoto
 D644,853 S 9/2011 Becker
 D653,051 S 1/2012 Lin
 D653,739 S 2/2012 Gibbs
 D654,289 S 2/2012 Zambelli
 D654,995 S 2/2012 Asofsky
 D654,996 S 2/2012 Asofsky
 D655,946 S 3/2012 Sexton
 D658,750 S 5/2012 Nemes
 D663,138 S 7/2012 Anderson
 D665,987 S 8/2012 Martin
 D666,281 S 8/2012 Nemes
 D668,475 S 10/2012 Zambelli
 D669,704 S 10/2012 Zambelli
 D669,706 S 10/2012 Zambelli
 D669,707 S 10/2012 Zambelli
 D674,891 S 1/2013 Huang
 D675,716 S 2/2013 Schwartz
 D687,250 S 8/2013 Weatherly
 D690,142 S * 9/2013 Arko D6/681
 D694,873 S 12/2013 Nemes
 D696,758 S 12/2013 Ernst

8,607,776 B2 12/2013 Jansson
 8,813,656 B1 8/2014 Hazzard
 D716,288 S 10/2014 O'Heron
 D717,081 S 11/2014 Dworman
 D717,569 S 11/2014 Davis
 D719,384 S 12/2014 Sowers
 D723,148 S 2/2015 Lawrence
 D724,356 S * 3/2015 Weatherly D6/661
 9,004,060 B2 4/2015 Benedetti
 D736,012 S 8/2015 Davis
 D737,418 S 8/2015 Hrydovyy
 D738,477 S 9/2015 Nemes
 D738,647 S 9/2015 Muller
 D741,630 S 10/2015 Meissner
 D742,142 S 11/2015 Everson
 D743,192 S 11/2015 Davis
 D747,123 S 1/2016 Zambelli
 D747,788 S 1/2016 Baker
 9,228,742 B2 1/2016 Akiyama
 D748,768 S 2/2016 Stanton
 D753,930 S 4/2016 Vengadakrishnan
 D757,350 S 5/2016 Levy
 D758,766 S 6/2016 Kirar
 D767,752 S 9/2016 Davis
 D767,753 S 9/2016 Edmund
 D773,862 S 12/2016 Davis
 D778,646 S 2/2017 Davis
 D791,302 S 7/2017 Davis
 D793,776 S 8/2017 Davis
 D820,009 S * 6/2018 Burden D6/663
 D825,229 S * 8/2018 Massaud D6/675
 D825,230 S * 8/2018 Massaud D6/675
 D825,231 S * 8/2018 Massaud D6/675.1
 D825,232 S * 8/2018 Massaud D6/675.1
 D829,025 S * 9/2018 Davis D6/675
 D829,026 S * 9/2018 Davis D6/675
 2005/0000241 A1 1/2005 Kucera
 2007/0236111 A1 10/2007 Gray
 2008/0216817 A1 9/2008 Yungbluth
 2009/0025414 A1 1/2009 Koga
 2009/0151375 A1 6/2009 Tarr
 2009/0170421 A1 7/2009 Adrian
 2010/0307179 A1 12/2010 Fava
 2011/0000477 A1 1/2011 Kwon
 2011/0079688 A1 4/2011 Grove
 2011/0080261 A1 4/2011 Asofsky
 2011/0120166 A1 5/2011 Nadel
 2014/0116418 A1 5/2014 Thomas
 2014/0252939 A1 9/2014 Tunzi
 2014/0265807 A1 9/2014 Kendall
 2014/0318529 A1 10/2014 Nielson
 2015/0323190 A1 11/2015 Stein
 2016/0018112 A1 1/2016 Phillips
 2016/0209102 A1 7/2016 Vulava
 2016/0223213 A1 8/2016 Grohova
 2016/0256032 A1 9/2016 Bhajak

FOREIGN PATENT DOCUMENTS

CA 165554 7/2016
 CA 171259 9/2017

OTHER PUBLICATIONS

Electric Fireplace, Image post date May 26, 2014, site visited Aug. 8, 2016, (online) <https://www.tineye.com/search/3c3d0cbfb7030b3079ebefa0774a5b4e94120332/?pluginver=>>.
 Walker Edison TV Stand with Fireplace Insert, image post date Jul. 31, 2015, site visited Aug. 8, 2016, (online), <<https://www.amazon.com/Walker-Edison-Fireplace-Insert-Espresso/dp/BOOPNONTAK>>.
 Manchester Fireplace TV Console, image post date Dec. 17, 2015, site visited Aug. 8, 2016, (online), <<http://www.walmart.com/ip/Manchester-Media-Fireplace-Stand-for-TVs-up-to-70/46360223>>.

(56)

References Cited

OTHER PUBLICATIONS

TV Stand with Fireplace, image post date Sep. 12, 2015, site visited Aug. 8, 2016 (online); www.tineye.com/search.

* cited by examiner

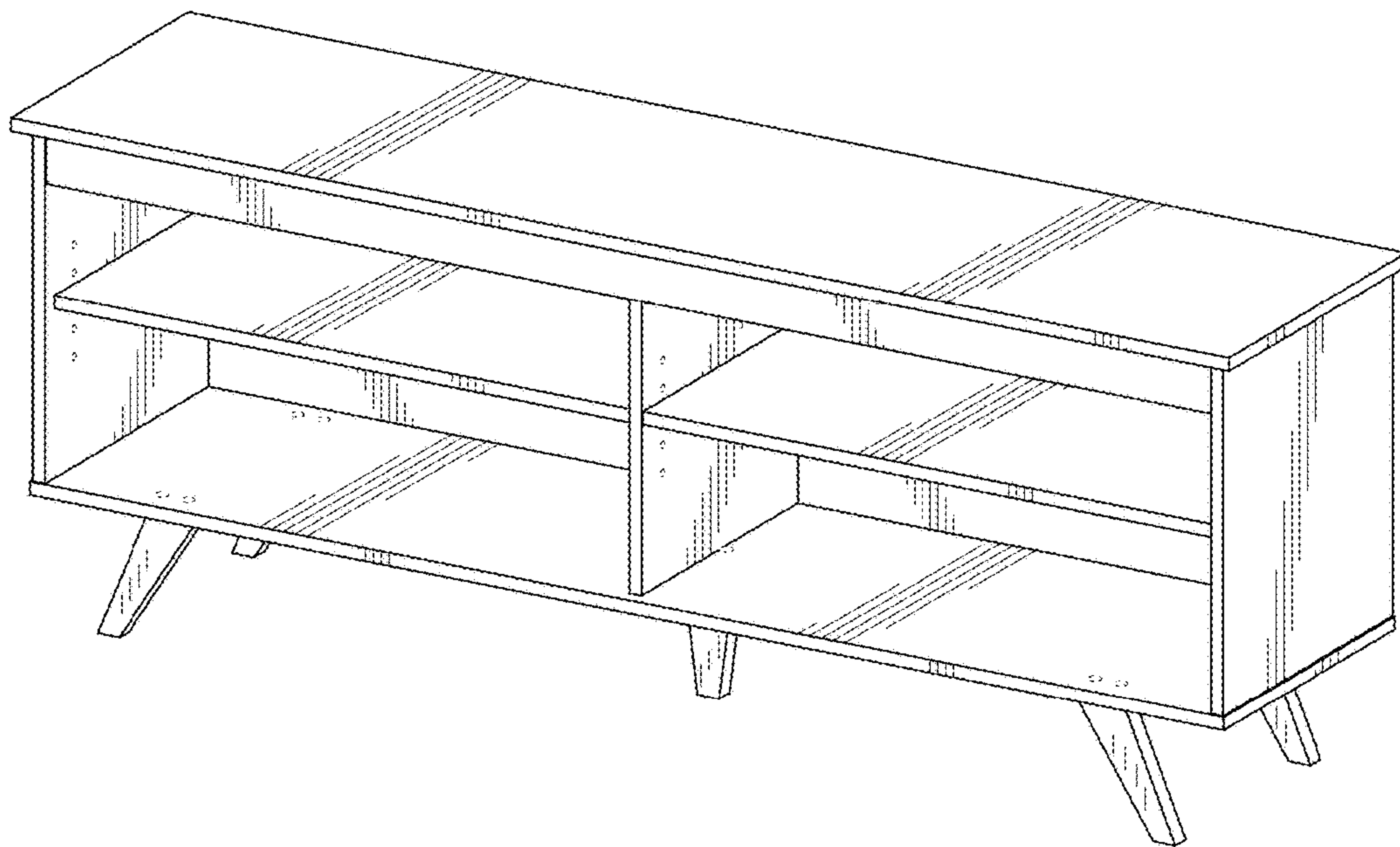


FIG. 1

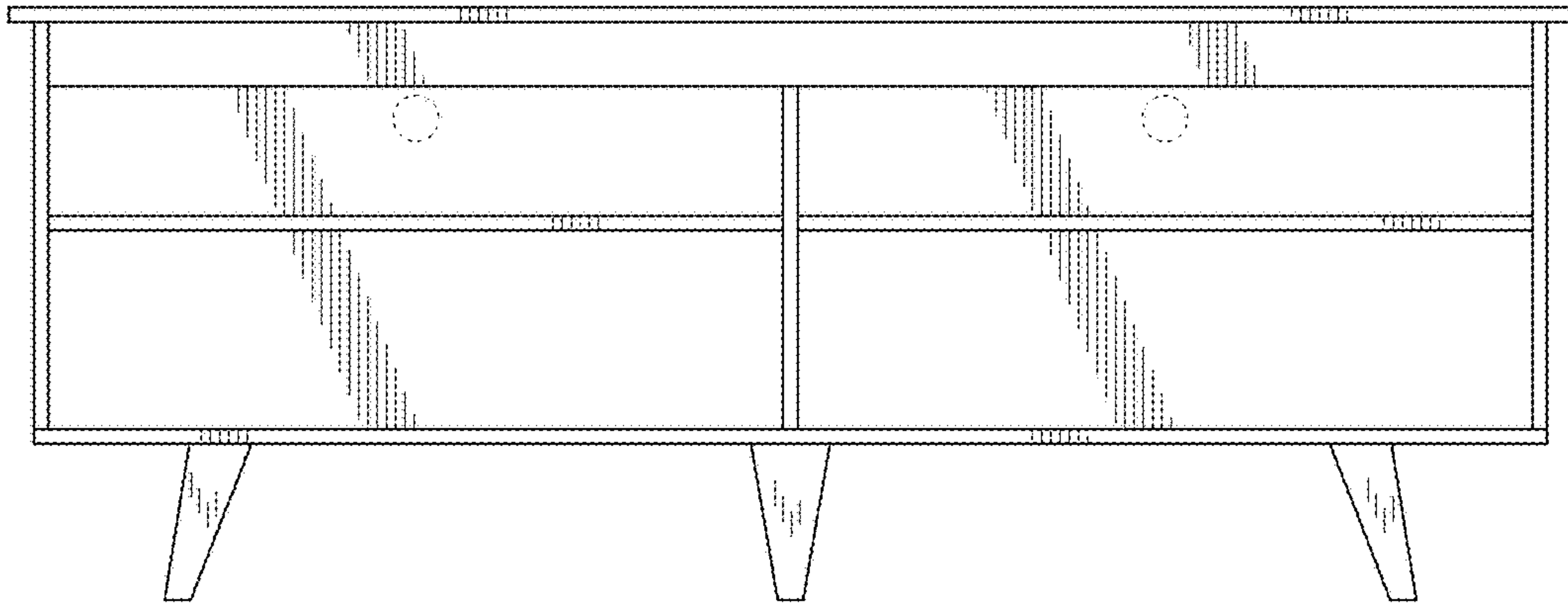


FIG. 2

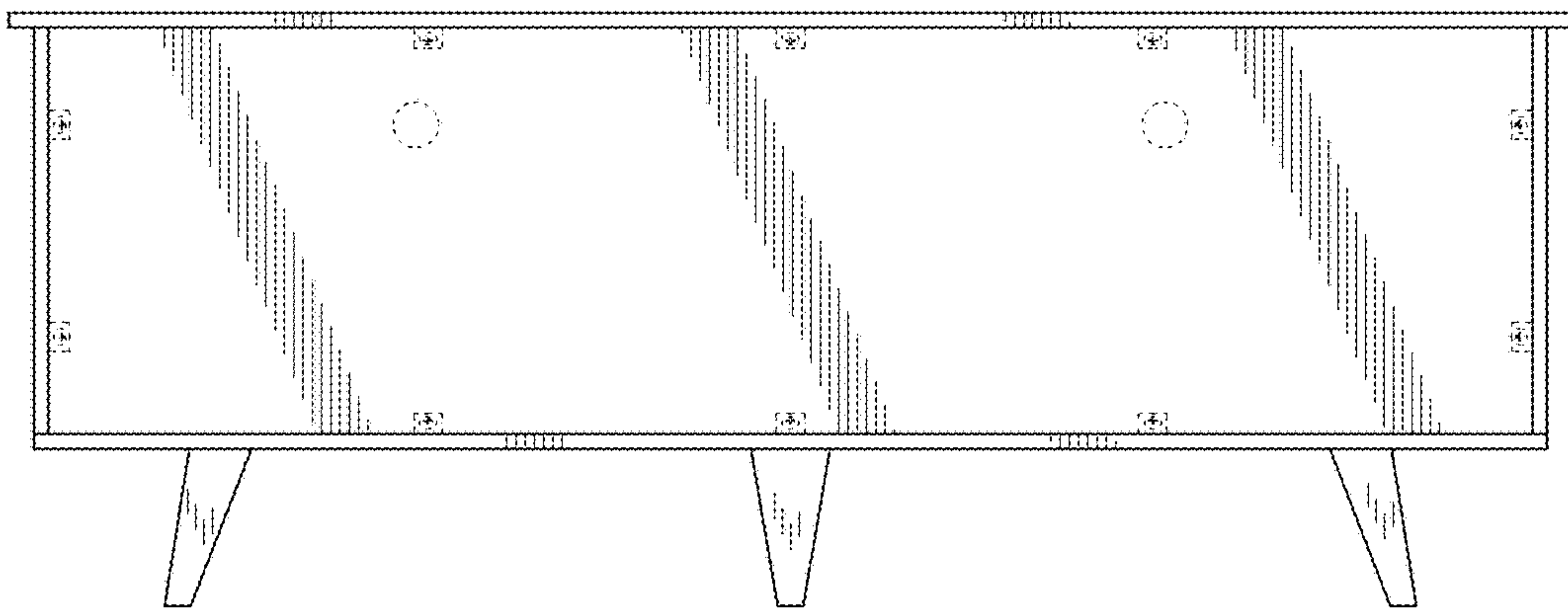


FIG. 3

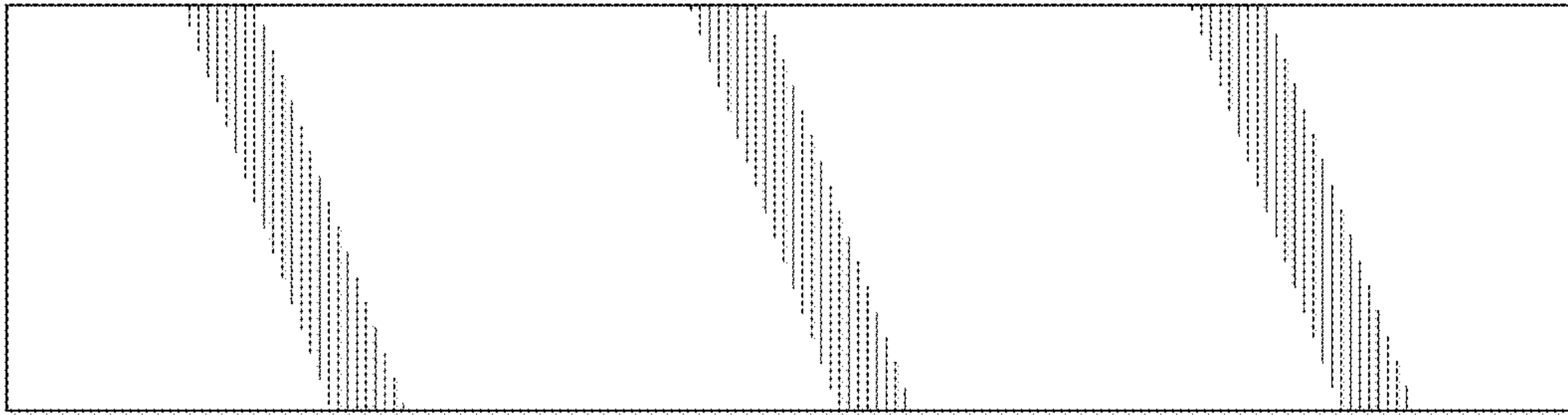


FIG. 4

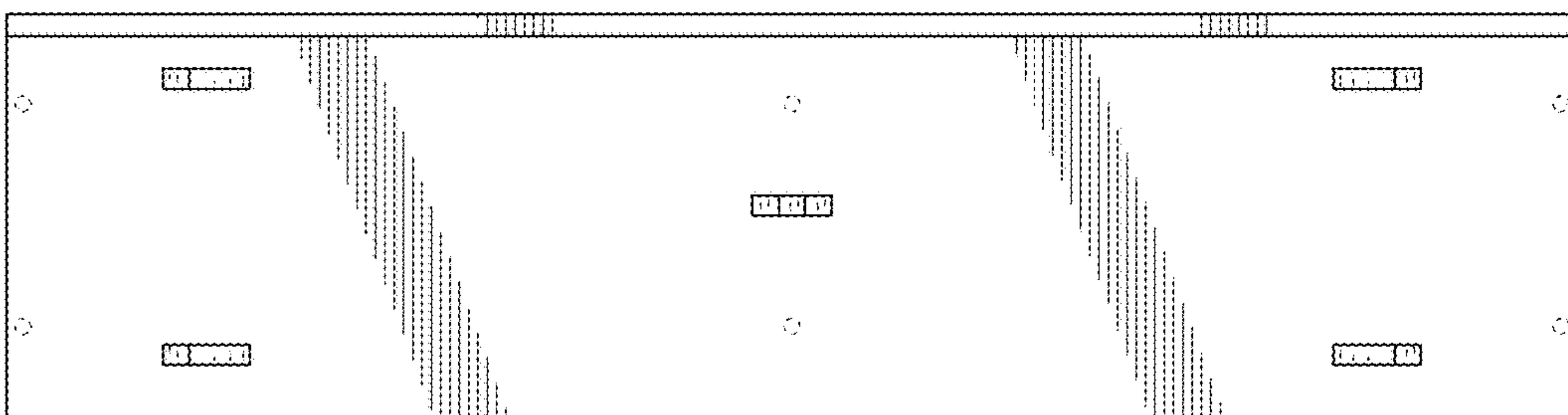


FIG. 5

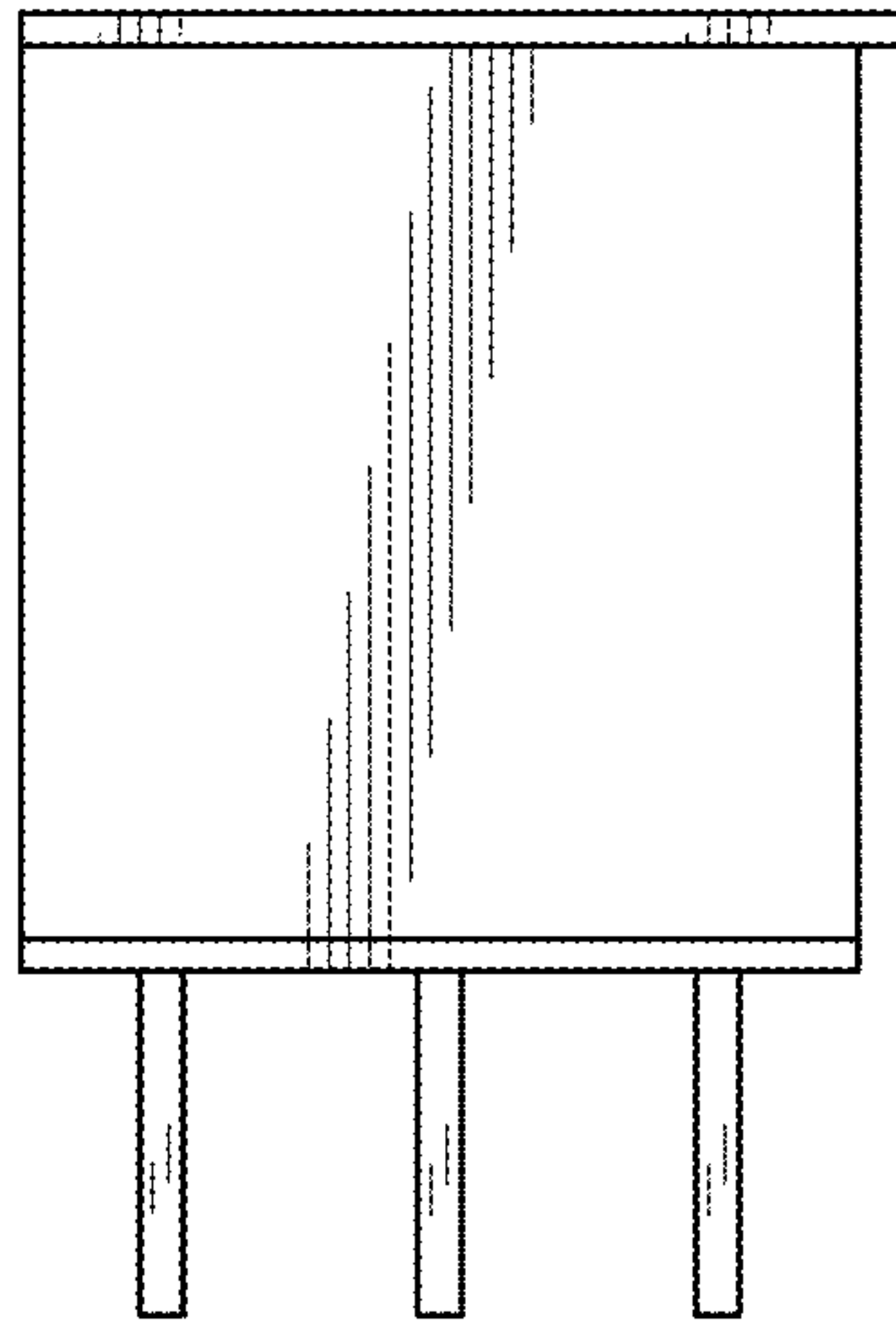


FIG. 6

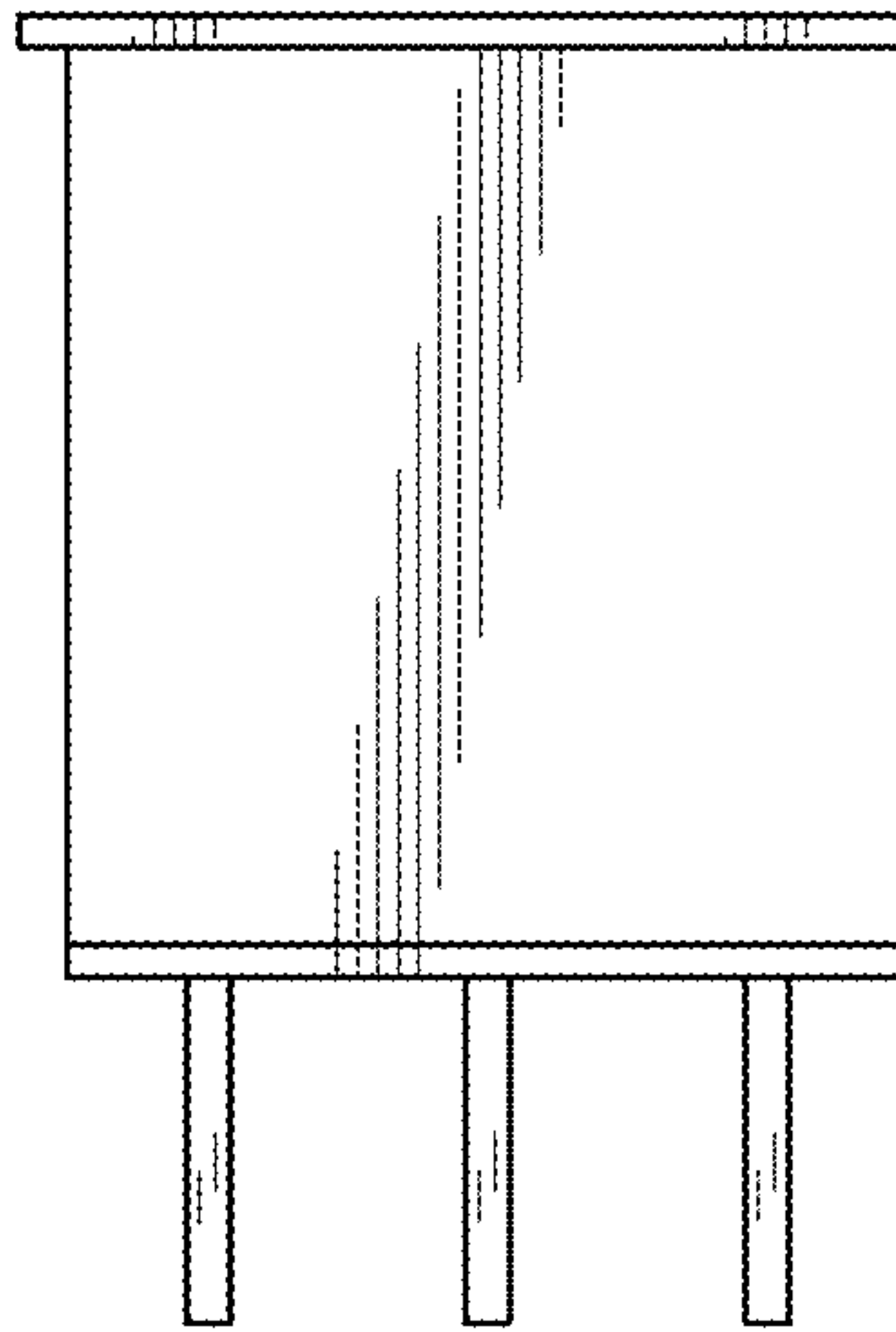


FIG. 7

UNITED STATES PATENT AND TRADEMARK OFFICE
CERTIFICATE OF CORRECTION

PATENT NO. : D845,041 S
APPLICATION NO. : 29/634889
DATED : April 9, 2019
INVENTOR(S) : Davis et al.

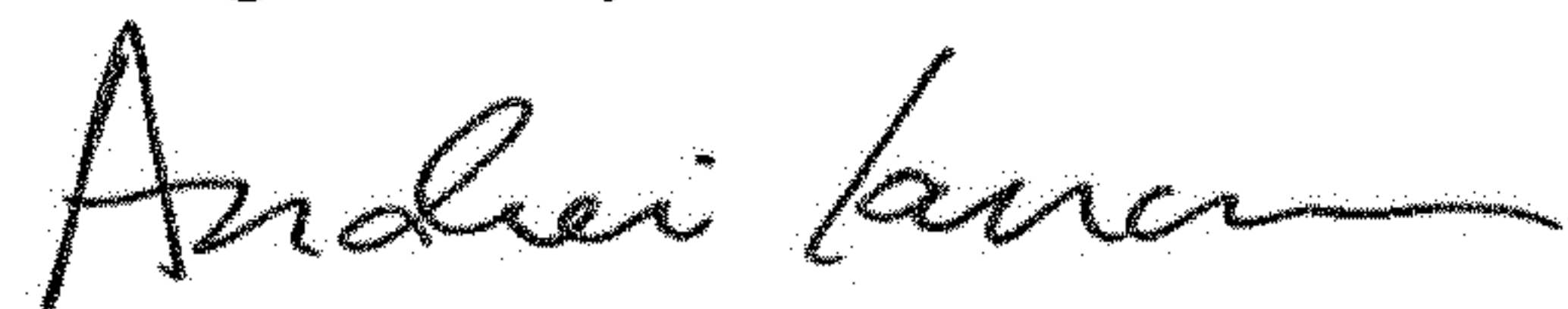
Page 1 of 1

It is certified that error appears in the above-identified patent and that said Letters Patent is hereby corrected as shown below:

On the Title Page

Item (73), change "Furnitutre" to ~~Furniture~~

Signed and Sealed this
Eighth Day of October, 2019



Andrei Iancu
Director of the United States Patent and Trademark Office