



US00D845038S

(12) **United States Design Patent**
Waldner

(10) **Patent No.:** **US D845,038 S**
(45) **Date of Patent:** **** Apr. 9, 2019**

(54) **TOOL CHEST**

(71) Applicant: **Crystal Spring Colony Farms Ltd.,**
Ste. Agathe (CA)

(72) Inventor: **David Waldner,** Ste Agathe (CA)

(73) Assignee: **Crystal Spring Colony Farms Ltd.,**
Ste. Agathe (CA)

(**) Term: **15 Years**

(21) Appl. No.: **29/561,416**

(22) Filed: **Apr. 15, 2016**

(51) **LOC (11) Cl.** **06-04**

(52) **U.S. Cl.**
USPC **D6/670**

(58) **Field of Classification Search**
USPC D6/663, 664, 667, 670, 671, 671.1,
D6/671.2, 671.3, 671.4
CPC A47B 17/04; A47B 43/00; A47B 47/03;
A47B 67/00; A47B 88/40; B25H 3/02
See application file for complete search history.

(56) **References Cited**

U.S. PATENT DOCUMENTS

D5,271 S *	9/1871	Wiley	D6/670
D59,862 S *	11/1921	Paletou	D6/667
D204,401 S *	4/1966	McCartney	D6/667
D251,040 S *	2/1979	Pawlak	D6/670
7,510,078 B2 *	3/2009	Schmidt	B25H 3/02 206/372
D664,790 S *	8/2012	Christopher	D6/670

(Continued)

Primary Examiner — Mimosa De

(74) *Attorney, Agent, or Firm* — Adrian D. Battison;
Ade + Company Inc.; Ryan W. Dupuis

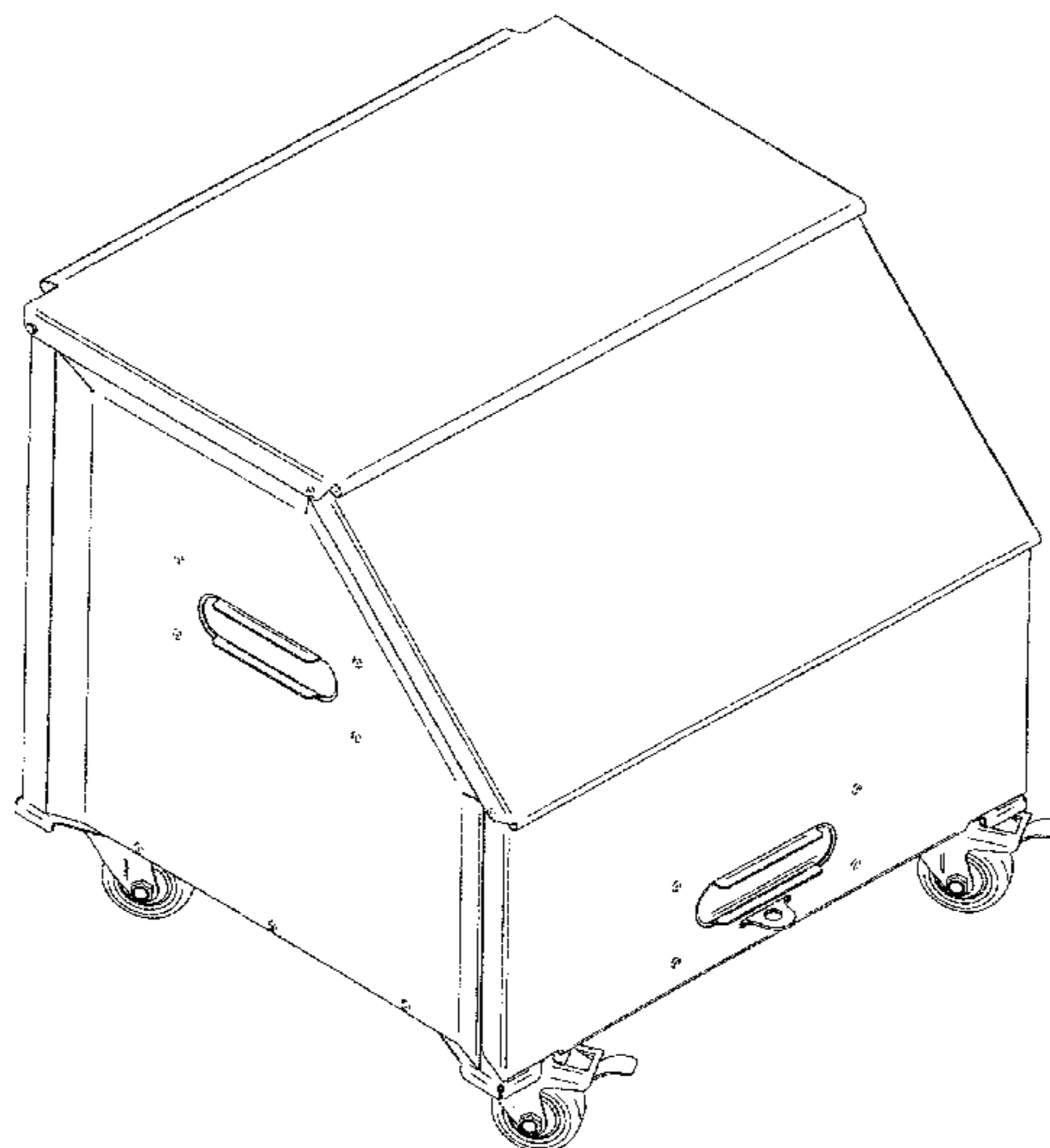
(57) **CLAIM**

The ornamental design for a tool chest, as shown and described.

DESCRIPTION

FIG. 1 is a first isometric view from the rear and one side of the tool chest in a closed position showing the design.
 FIG. 2 is a second isometric view from the front and one side of the tool chest in a closed position showing the design.
 FIG. 3 is a rear elevational view of the tool chest in a closed position showing the design.
 FIG. 4 is a bottom plan view of the tool chest in a closed position showing the design.
 FIG. 5 is a top plan view of the tool chest in a closed position showing the design.
 FIG. 6 is a left side elevational view of the tool chest in a closed position showing the design.
 FIG. 7 is a right side elevational view of the tool chest in a closed position showing the design.
 FIG. 8 is a front elevational view of the tool chest in a closed position showing the design.
 FIG. 9 is a first isometric view from the rear and one side of the tool chest in an open position showing the design.
 FIG. 10 is a second isometric view from the front and one side of the tool chest in an open position showing the design.
 FIG. 11 is a rear elevational view of the tool chest in an open position showing the design.
 FIG. 12 is a bottom plan view of the tool chest in an open position showing the design.
 FIG. 13 is a top plan view of the tool chest in an open position showing the design.
 FIG. 14 is a left side elevational view of the tool chest in an open position showing the design.
 FIG. 15 is a right side elevational view of the tool chest in an open position showing the design; and,
 FIG. 16 is a front elevational view of the tool chest in an open position showing the design.
 The features which are shown in broken line form no part of the claimed design.

1 Claim, 16 Drawing Sheets



(56)

References Cited

U.S. PATENT DOCUMENTS

9,914,209	B2 *	3/2018	Grela	A47B 88/40
2008/0179203	A1 *	7/2008	Mueller	B25H 3/02
				206/216

* cited by examiner

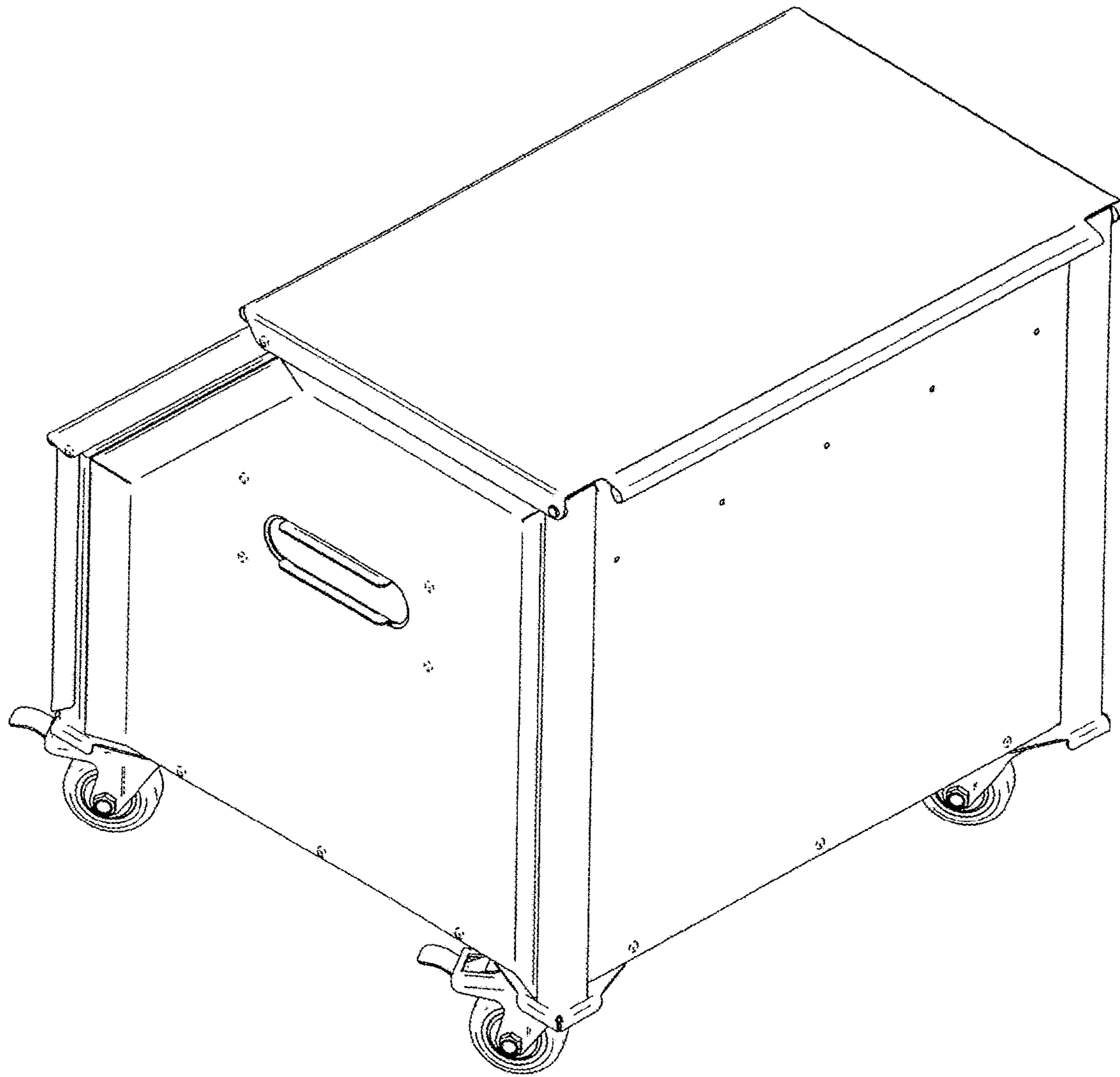


FIG. 1

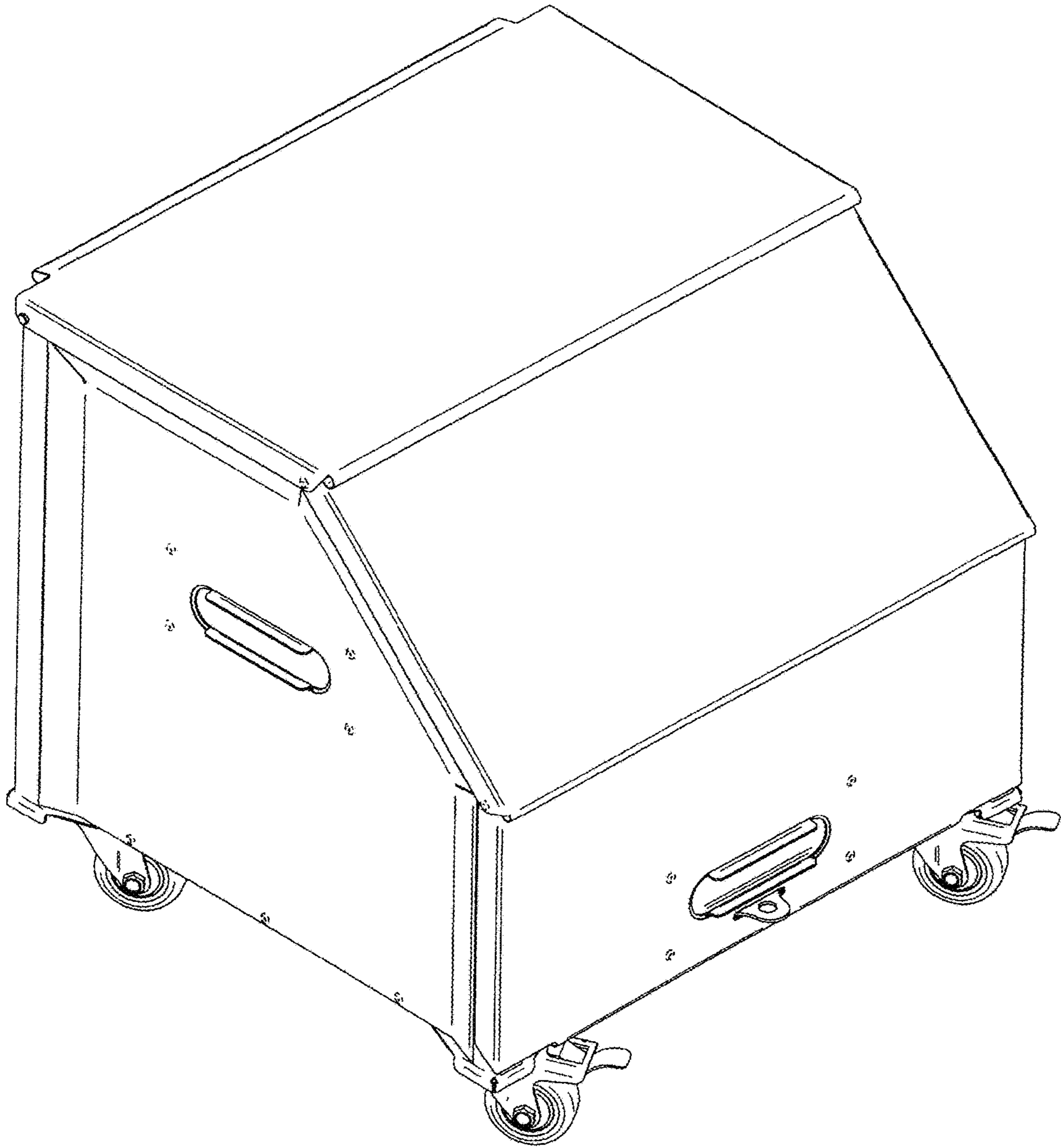


FIG. 2

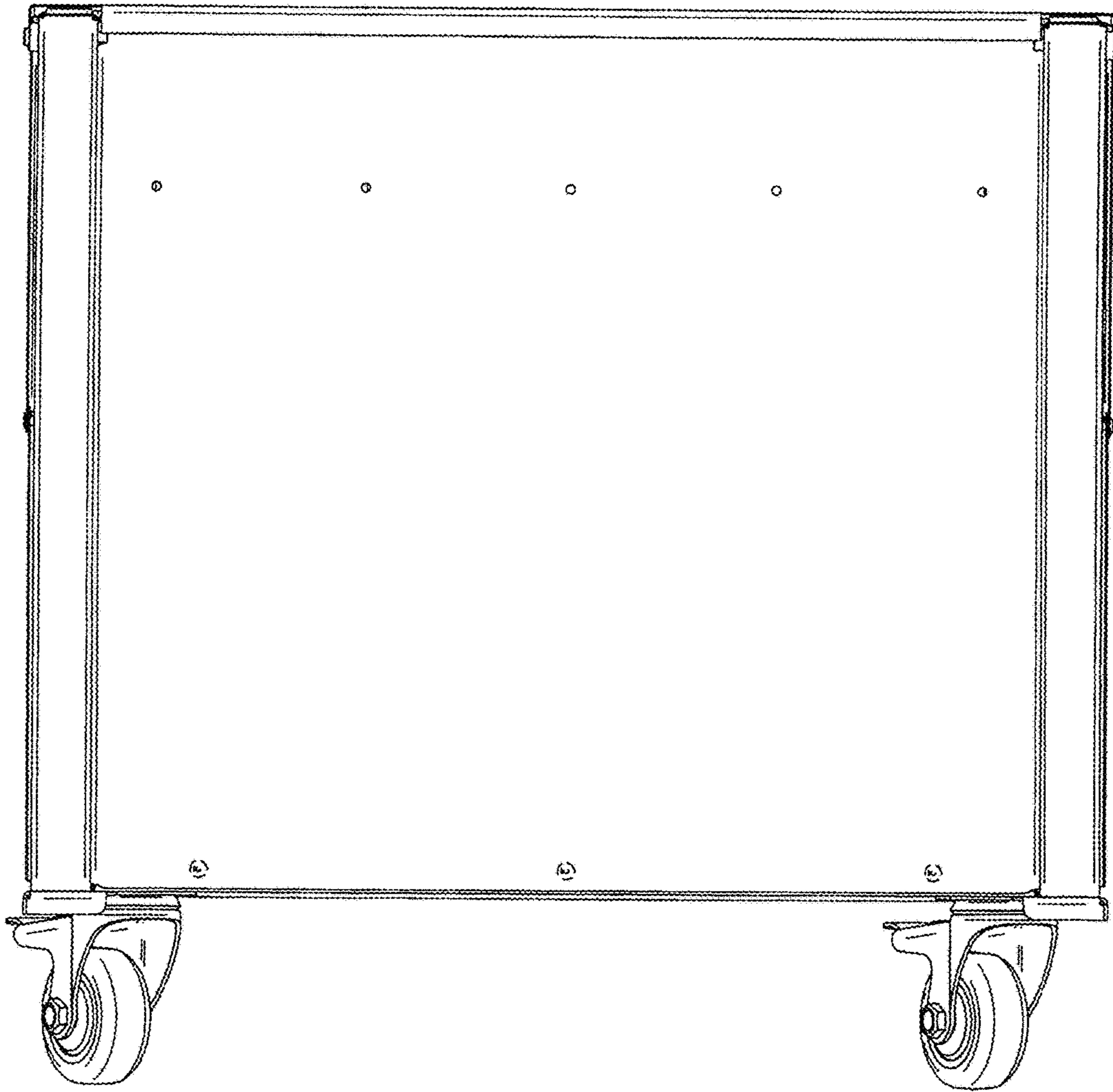


FIG. 3

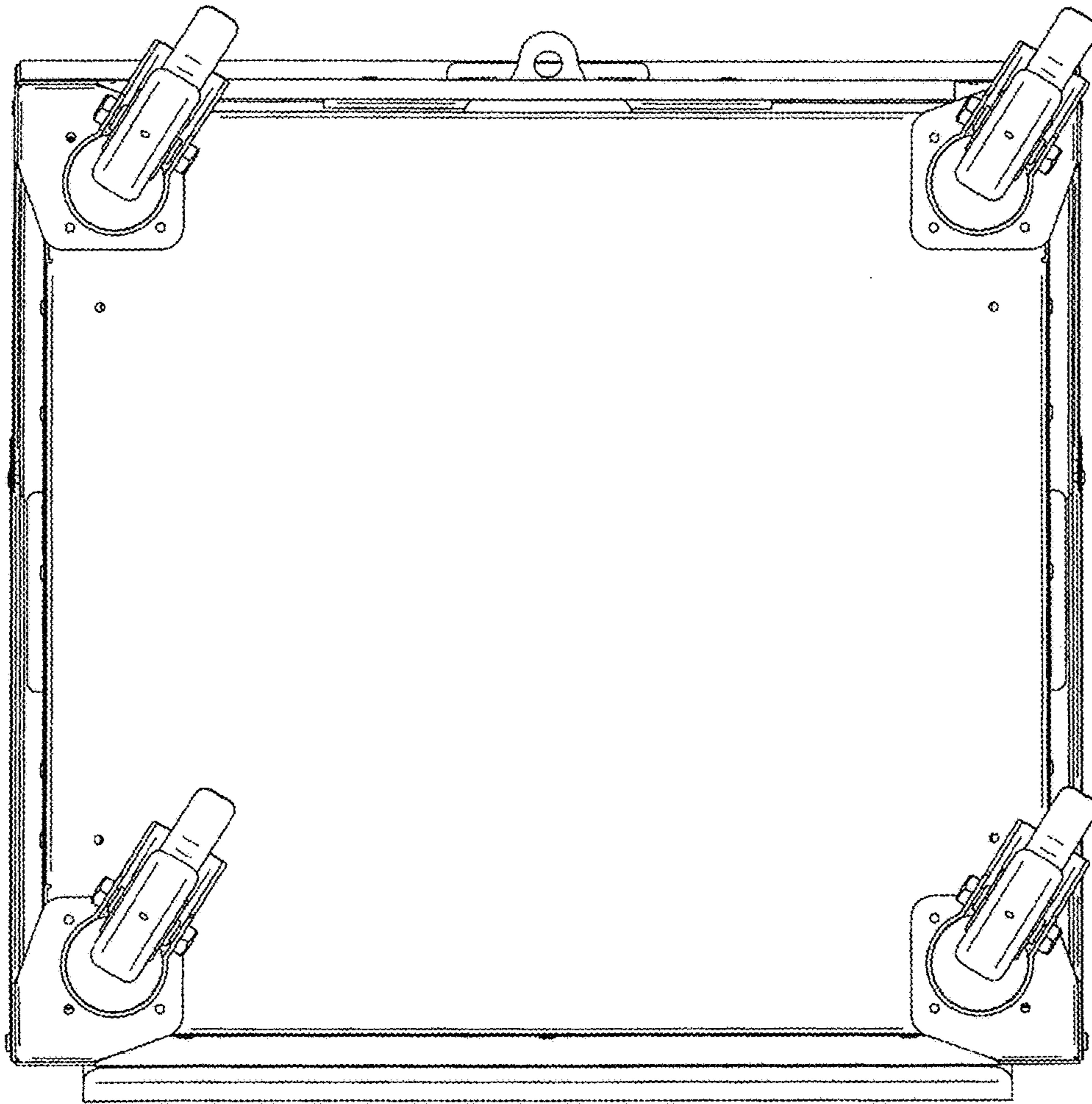


FIG. 4

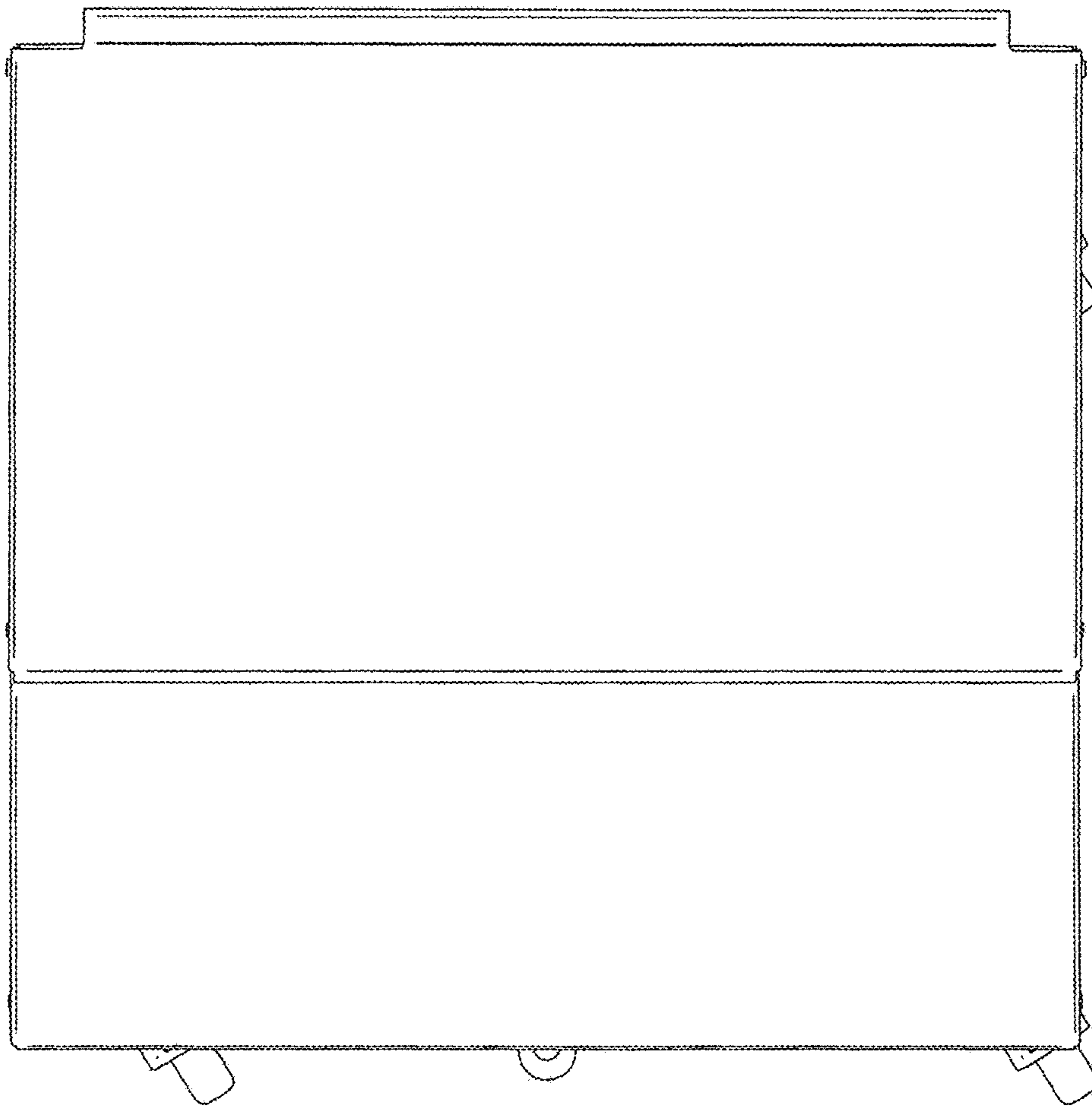


FIG. 5

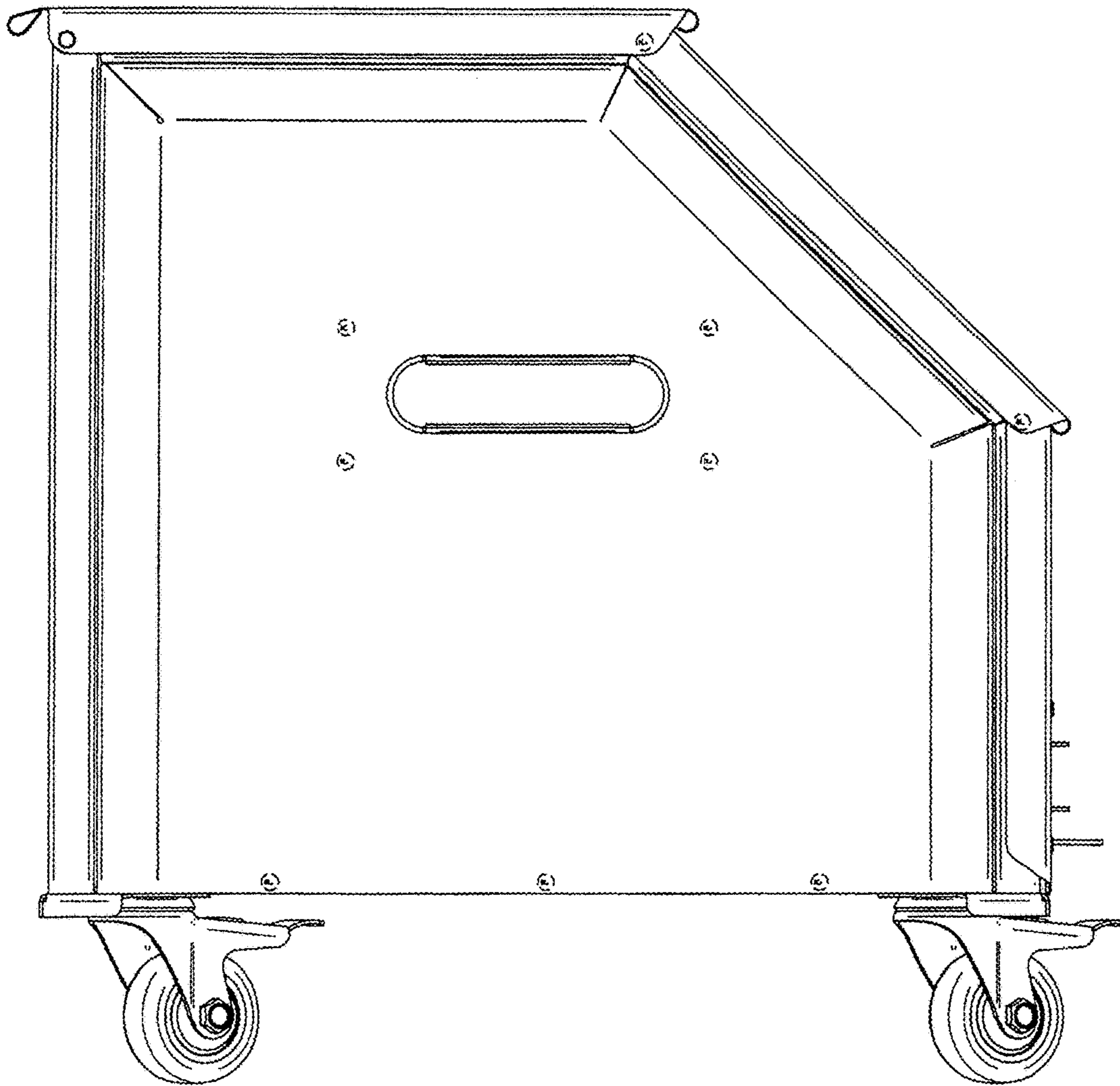


FIG. 6

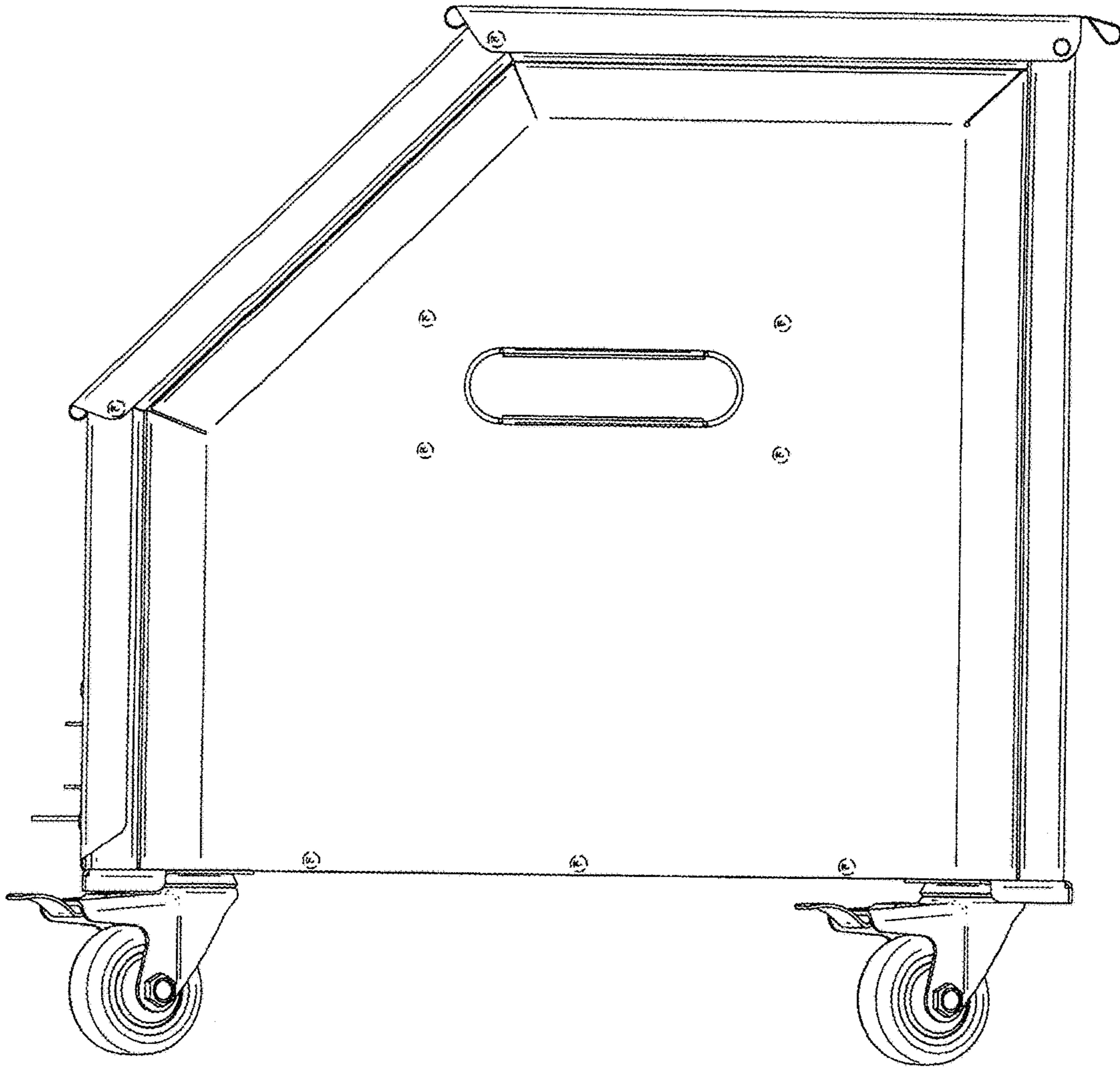


FIG. 7

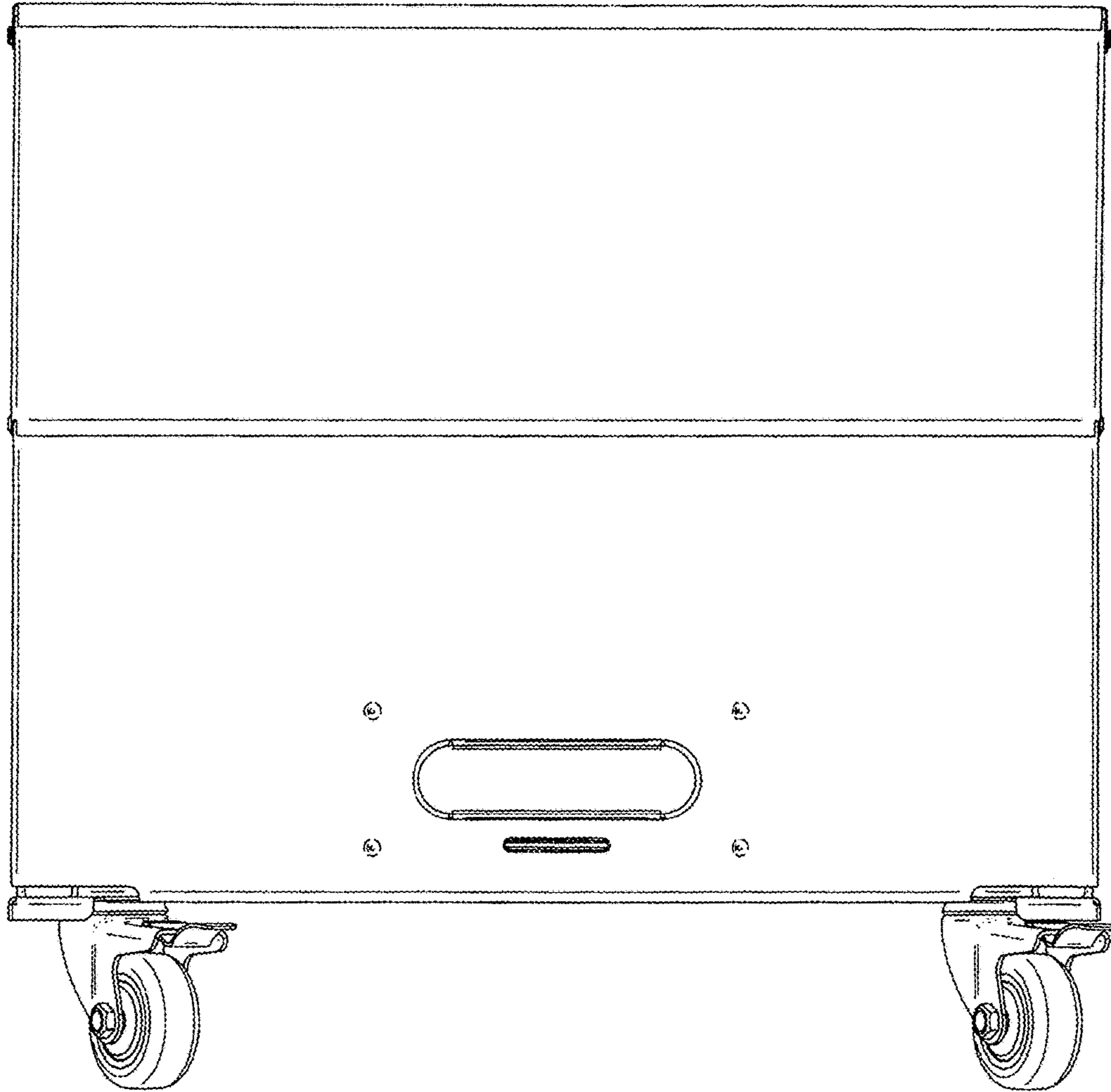


FIG. 8

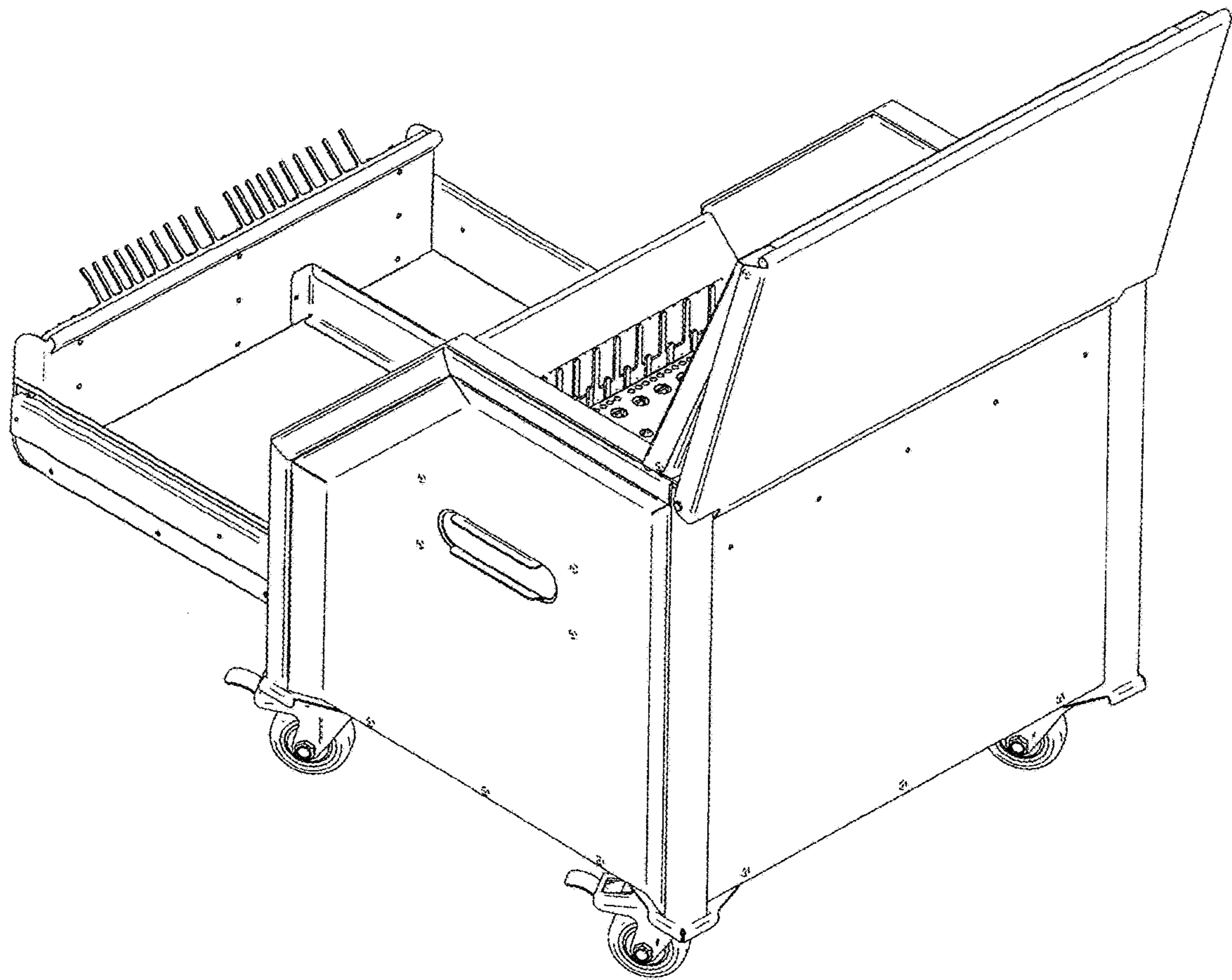


FIG. 9

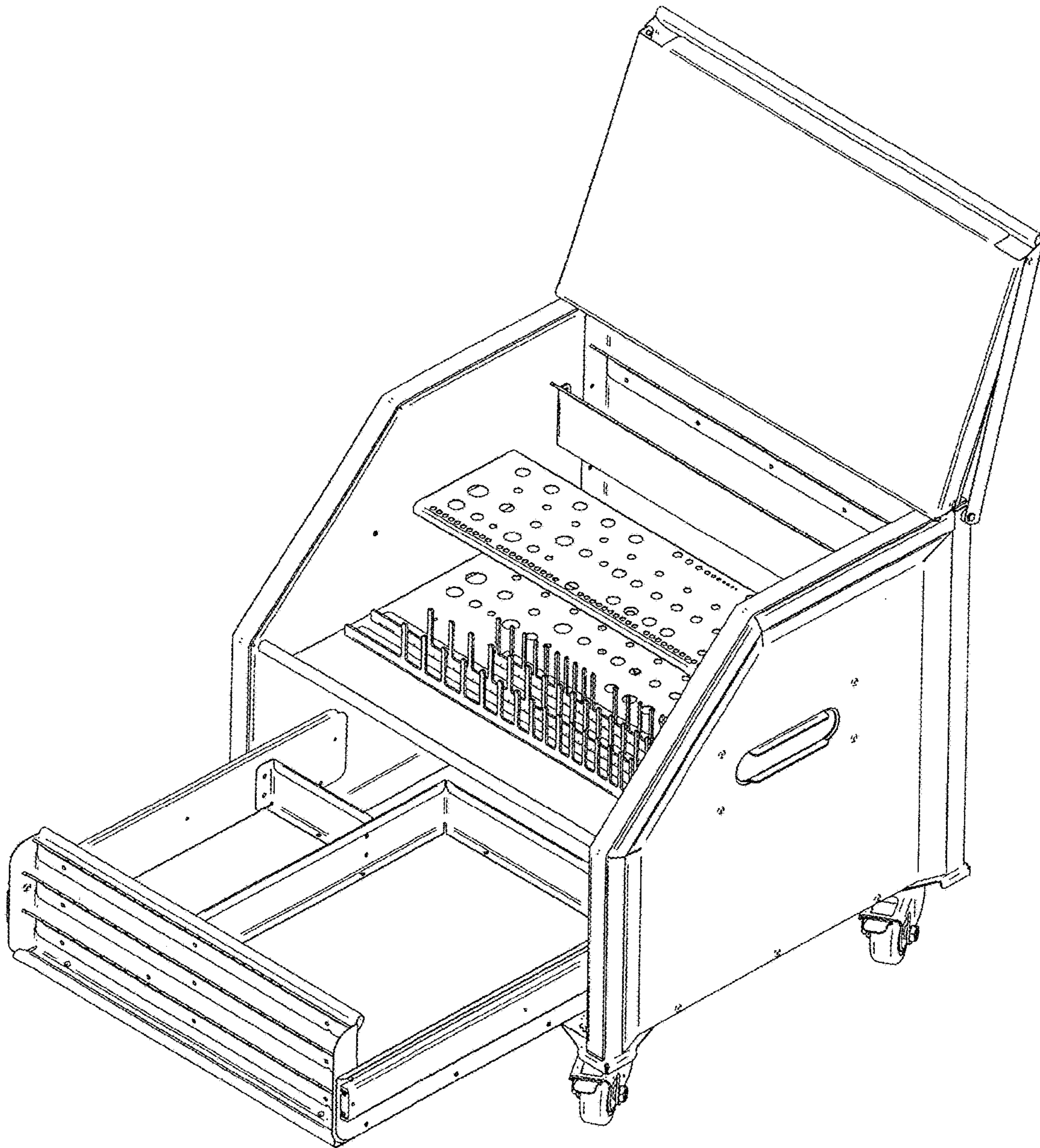


FIG. 10

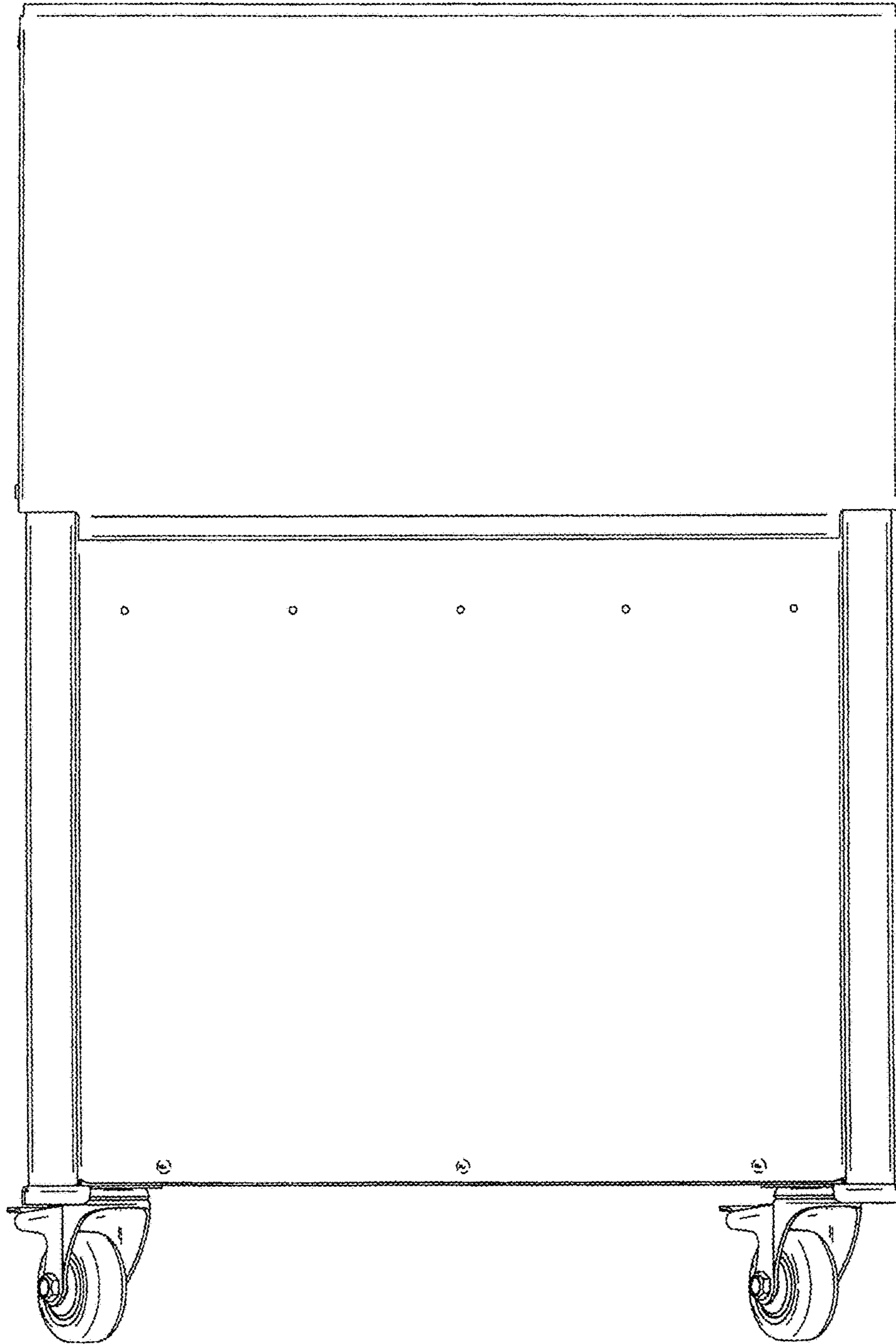


FIG. 11

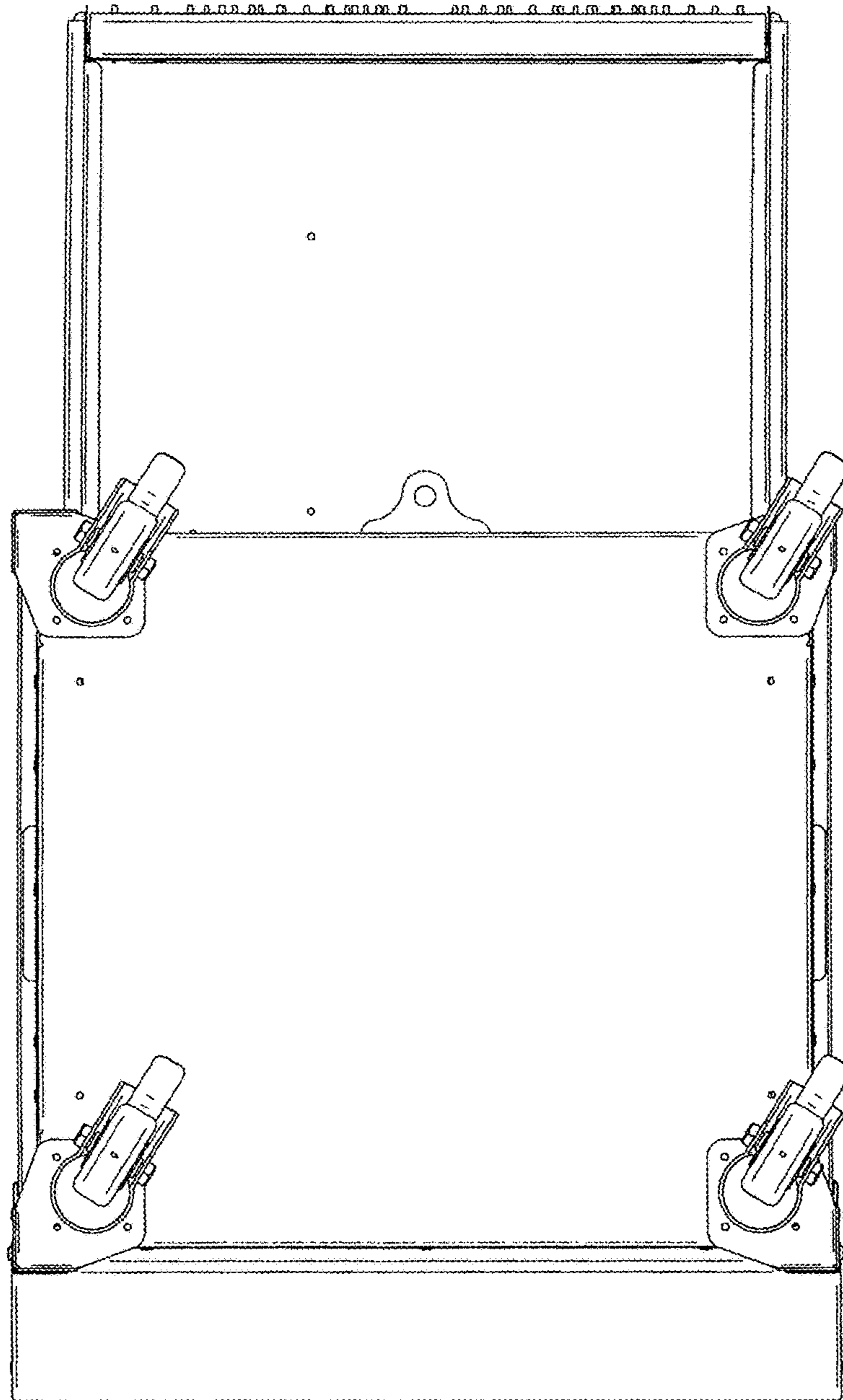


FIG. 12

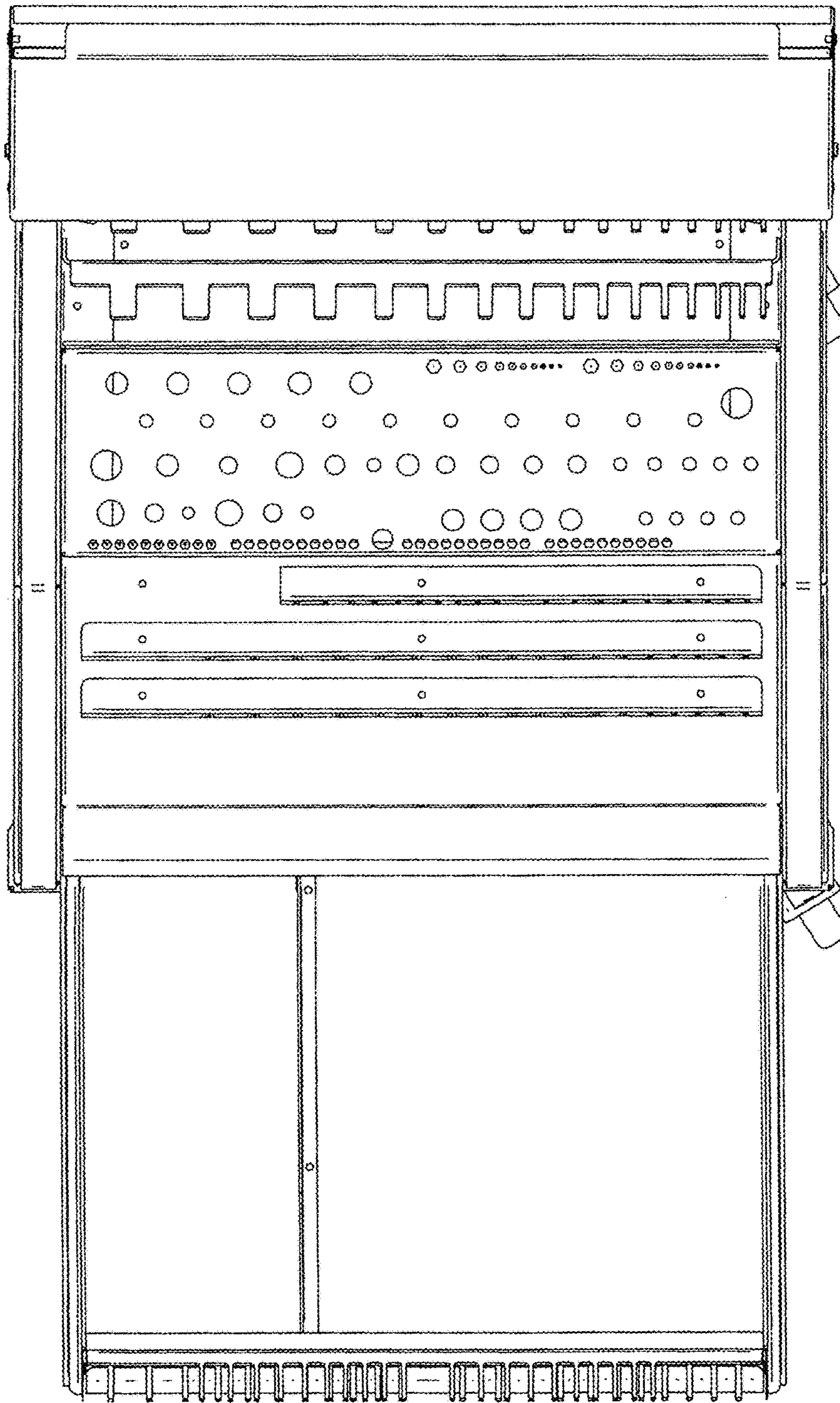


FIG. 13

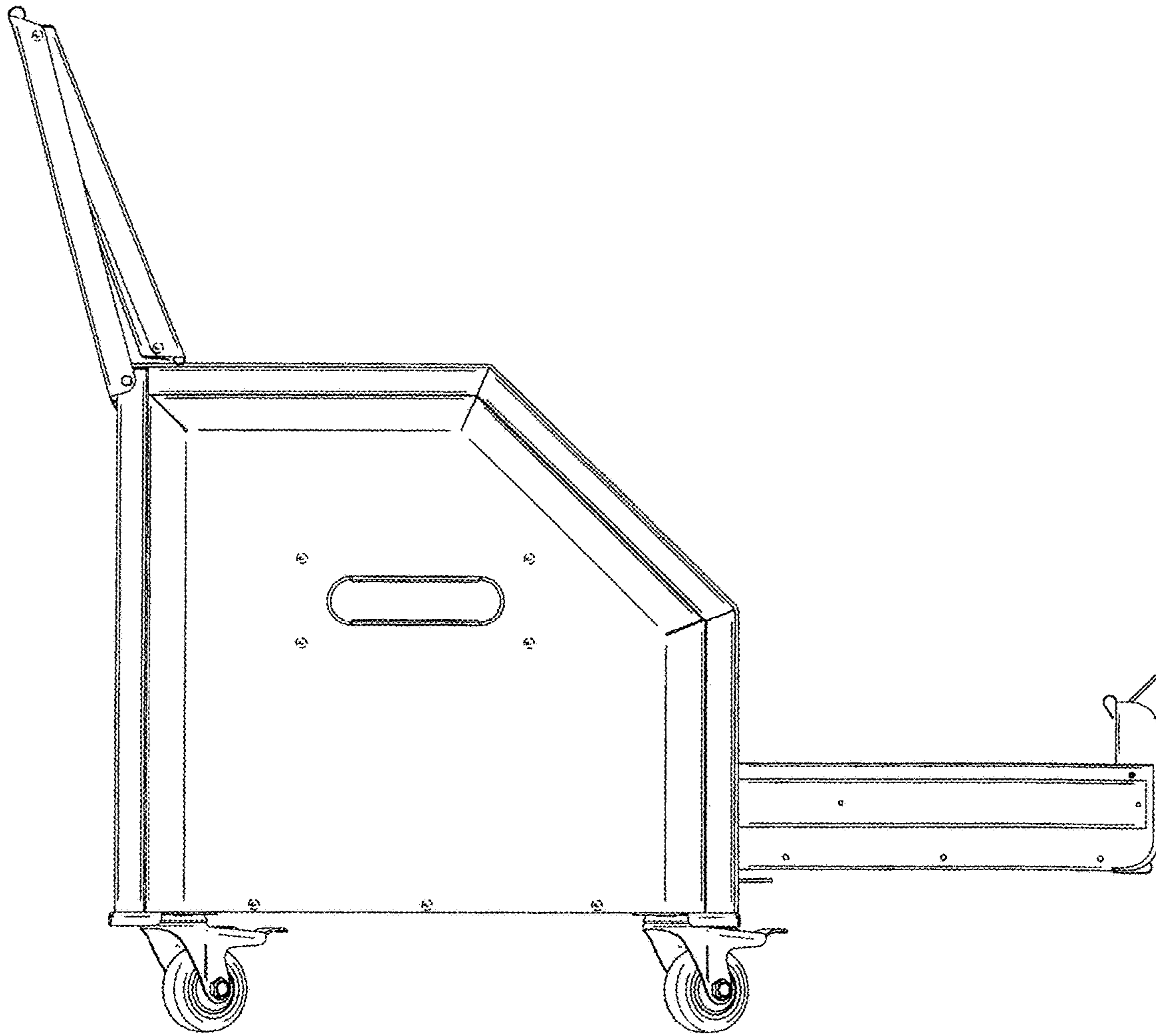


FIG. 14

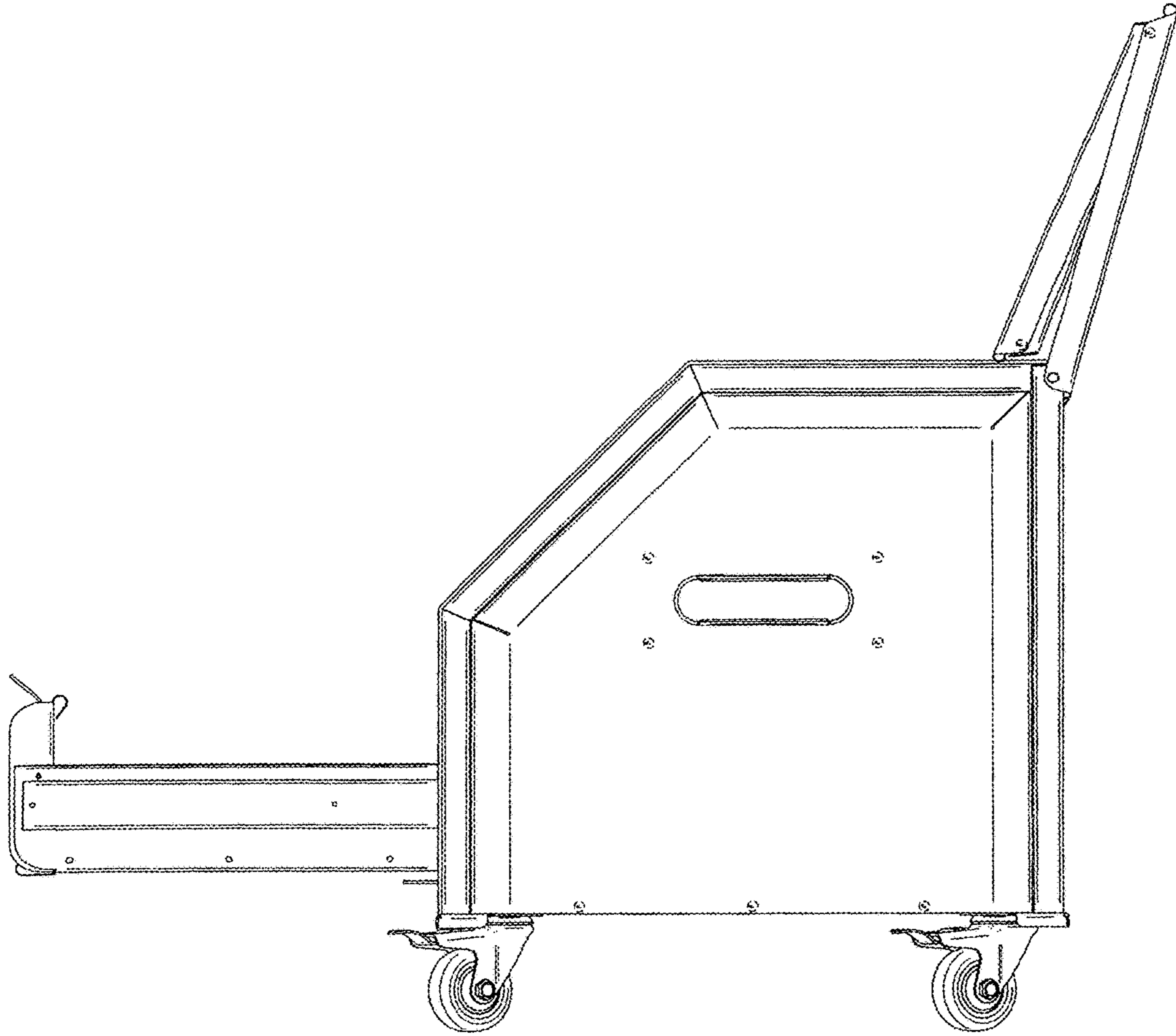


FIG. 15

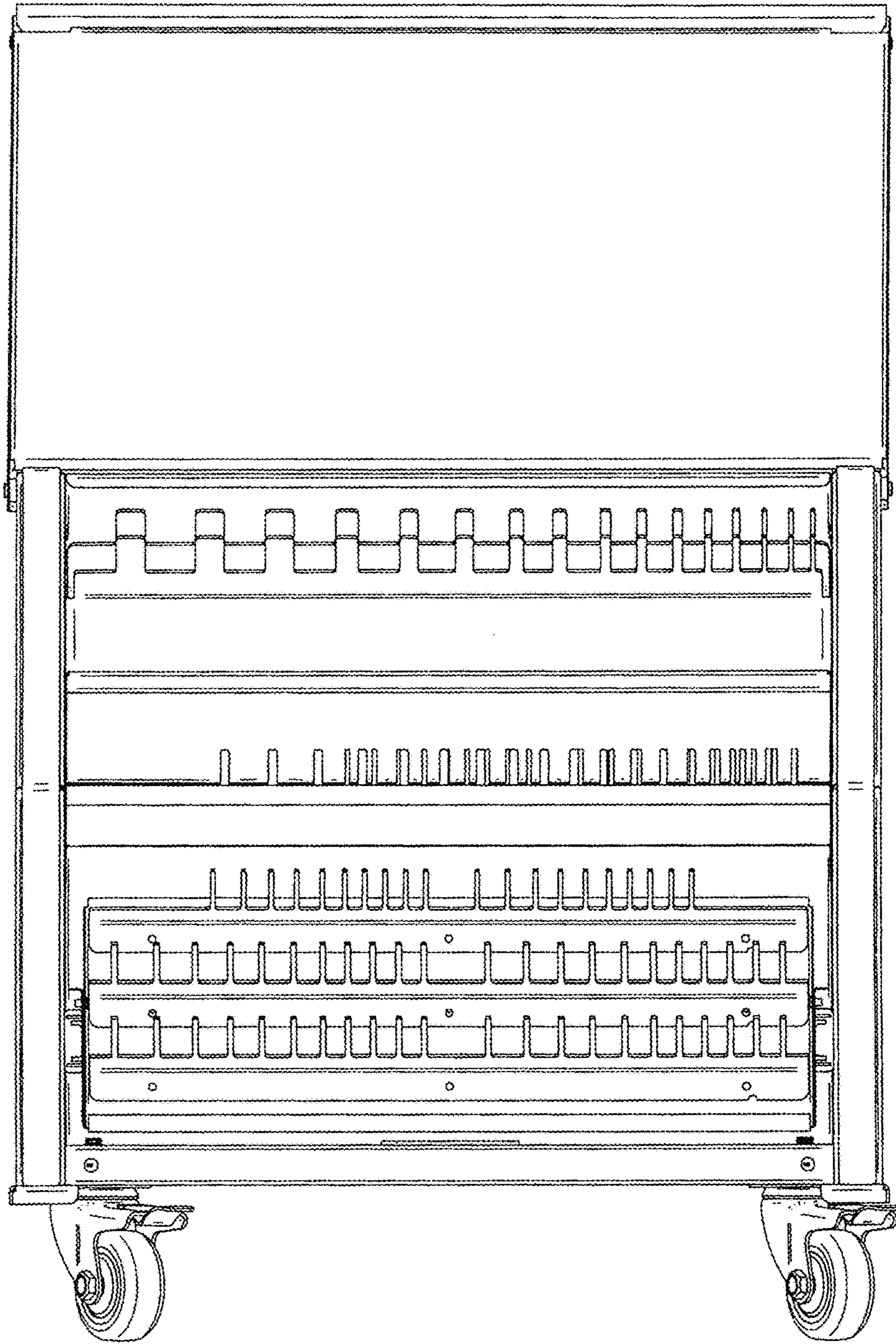


FIG. 16