



US00D845037S

(12) **United States Design Patent**
Min

(10) **Patent No.:** **US D845,037 S**

(45) **Date of Patent:** **** Apr. 9, 2019**

- (54) **DESK**
- (71) Applicant: **SAMHONGSA CO., LTD**, Seoul (KR)
- (72) Inventor: **Woo-Kee Min**, Seoul (KR)
- (73) Assignee: **SAMHONGSA CO., LTD**, Seoul (KR)
- (**) Term: **15 Years**
- (21) Appl. No.: **29/562,462**
- (22) Filed: **Apr. 26, 2016**

- 9,326,598 B1 * 5/2016 West A47B 3/02
- 9,504,316 B1 * 11/2016 Streicher A47B 21/02
- D781,617 S * 3/2017 Flaherty A47B 21/02
D6/655
- D781,618 S * 3/2017 Flaherty A47B 9/16
D6/655
- 2003/0230222 A1 * 12/2003 Liu A47B 21/03
108/50.01
- 2015/0289641 A1 * 10/2015 Ergun A47B 9/16
108/42
- 2017/0290413 A1 * 10/2017 Hu A47B 21/02
- 2017/0354245 A1 * 12/2017 Martin A47B 9/16
- 2018/0055214 A1 * 3/2018 Kim A47B 9/16
- 2018/0125227 A1 * 5/2018 Xiang A47B 9/02

(30) **Foreign Application Priority Data**

- Oct. 26, 2015 (KR) 30-2015-0053841
- (51) **LOC (11) Cl.** **06-03**
- (52) **U.S. Cl.**
USPC **D6/655**
- (58) **Field of Classification Search**
USPC D6/641, 648, 648.2, 655.14, 656, 702,
D6/707.15, 707.19
CPC A47B 1/00; A47B 7/00; A47B 9/00; A47B
9/10; A47B 9/16; A47B 2009/006; A47B
11/00; A47B 13/00; A47B 13/081; A47B
21/0073; A47B 21/02; A47B 21/03; A47B
2200/005; A47B 2200/0064
See application file for complete search history.

* cited by examiner

Primary Examiner — Mary Ann Calabrese
(74) *Attorney, Agent, or Firm* — Oblon, McClelland,
Maier & Neustadt, L.L.P.

(57) **CLAIM**

The ornamental design for a desk, as shown and described.

DESCRIPTION

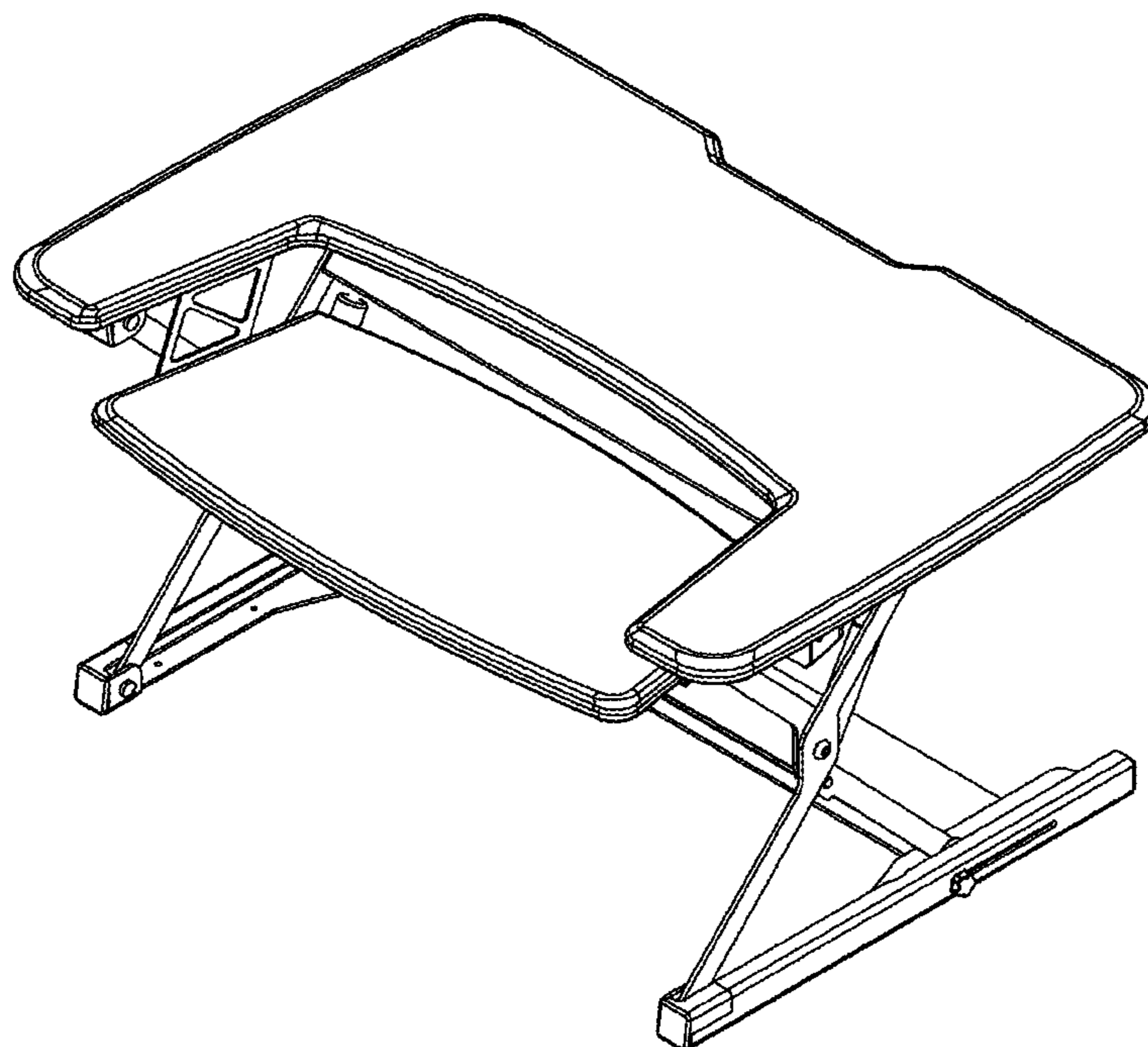
FIG. 1 is a front, top, and right side perspective view of a desk;
FIG. 2 is a front elevational view thereof;
FIG. 3 is a rear elevational view thereof;
FIG. 4 is a left side elevational view thereof;
FIG. 5 is a right side elevational view thereof;
FIG. 6 is a top plan view thereof;
FIG. 7 is a bottom plan view thereof; and,
FIG. 8 is a front, bottom, and right side perspective view thereof.

(56) **References Cited**

U.S. PATENT DOCUMENTS

- 2,766,088 A * 10/1956 Jackson A47B 9/18
108/138
- D716,074 S * 10/2014 Kitajima A47B 3/02
D6/654.21

1 Claim, 8 Drawing Sheets



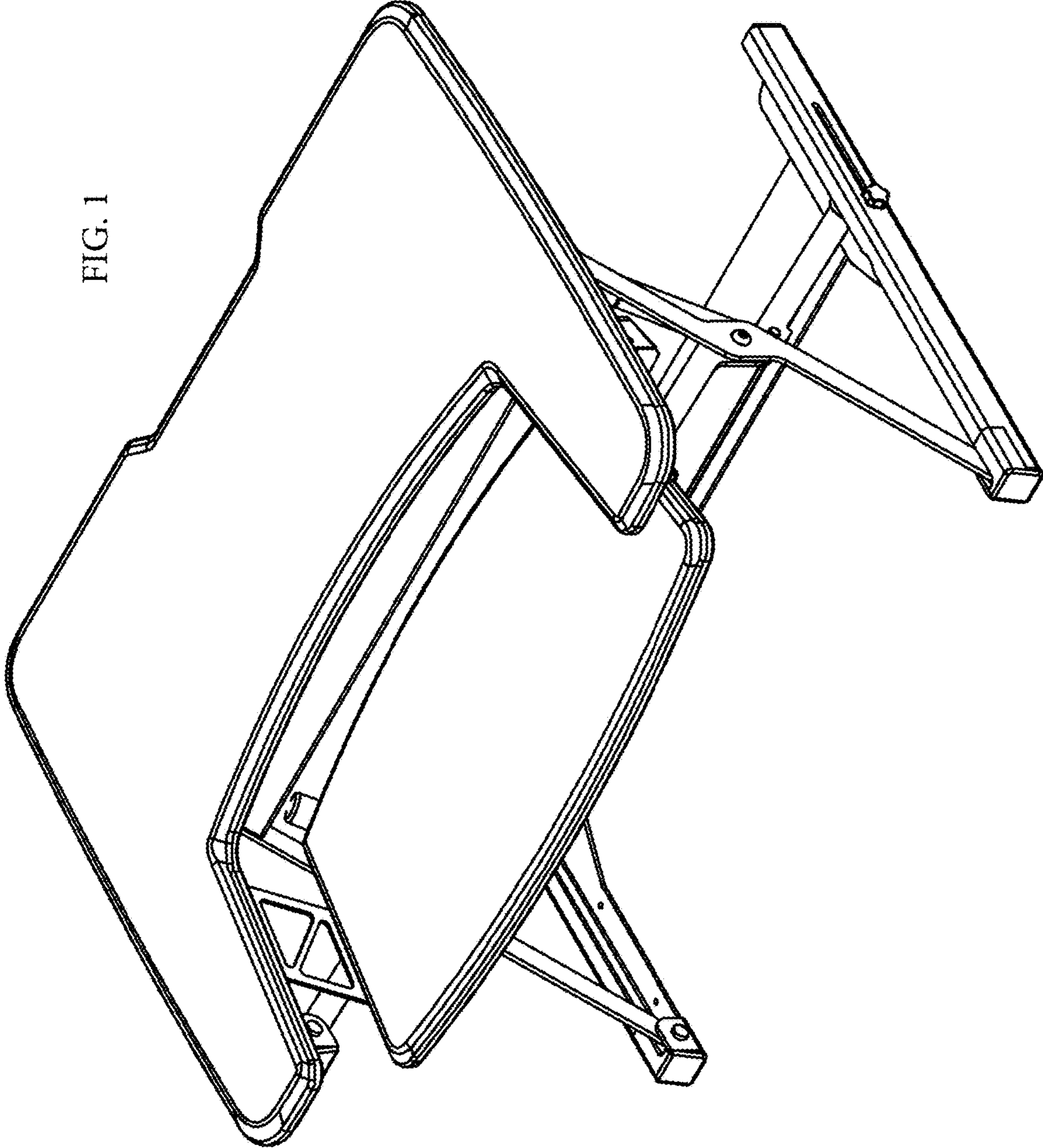


FIG. 1

FIG. 2

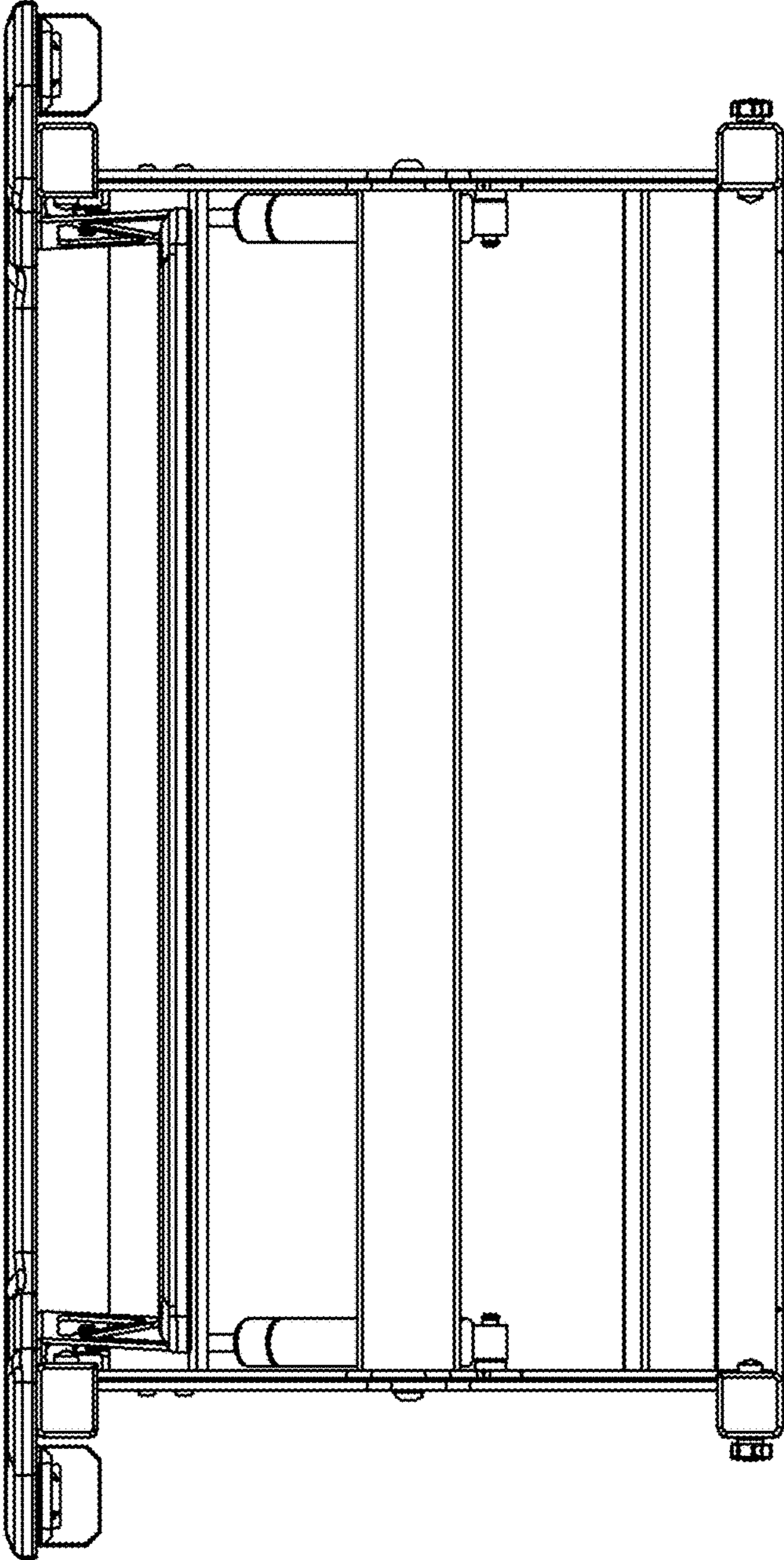


FIG. 3

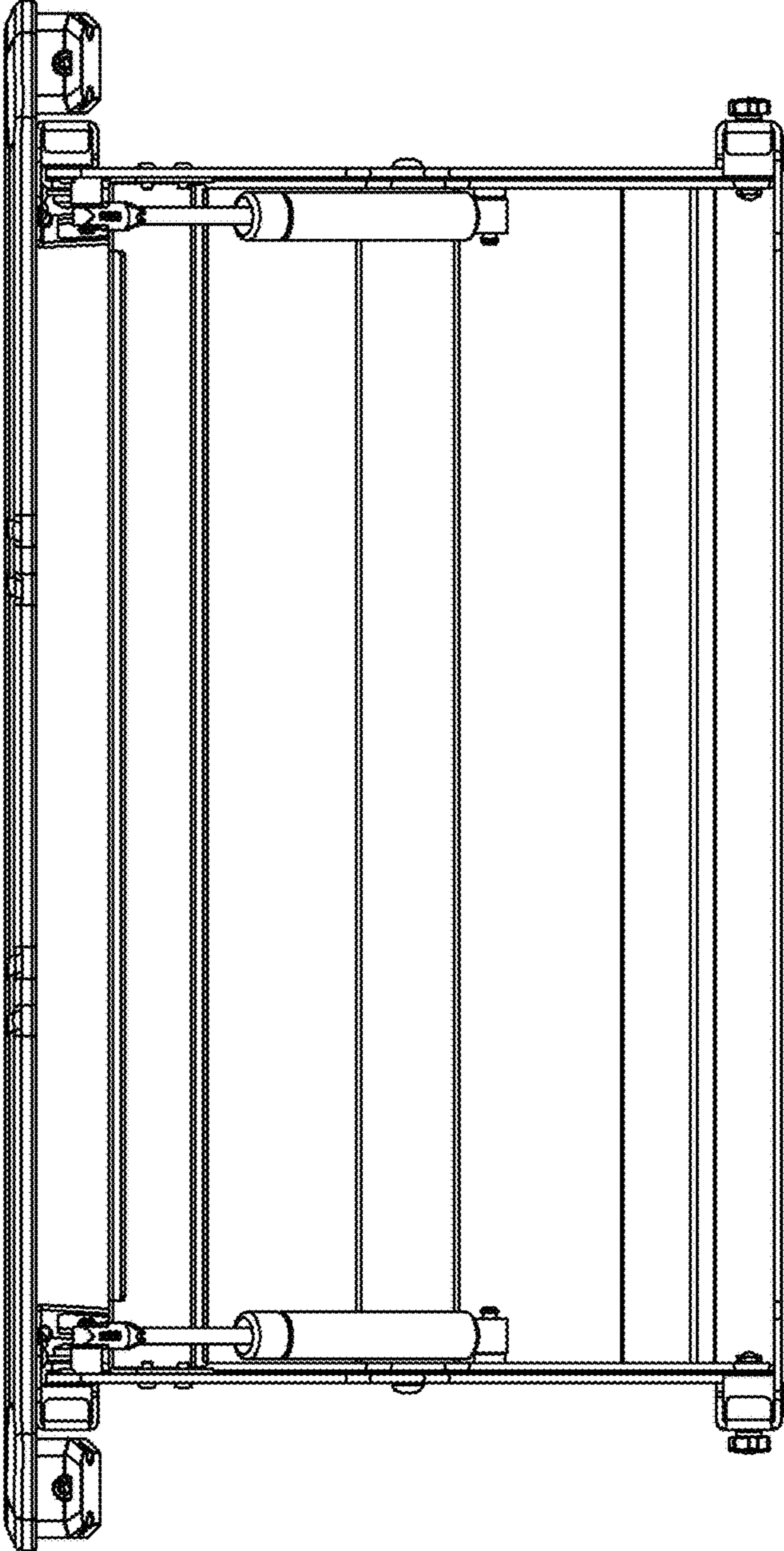


FIG. 4

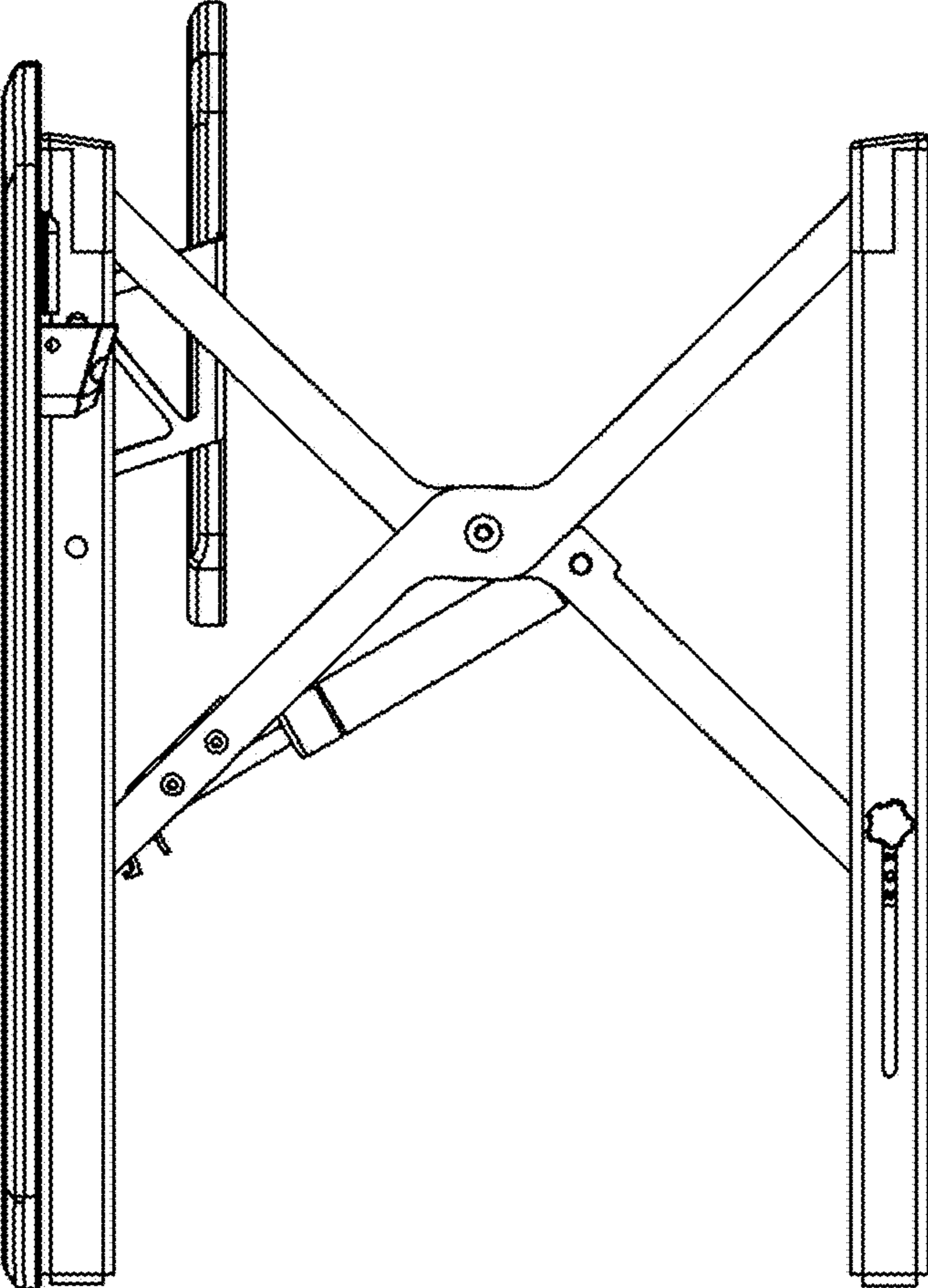


FIG. 5

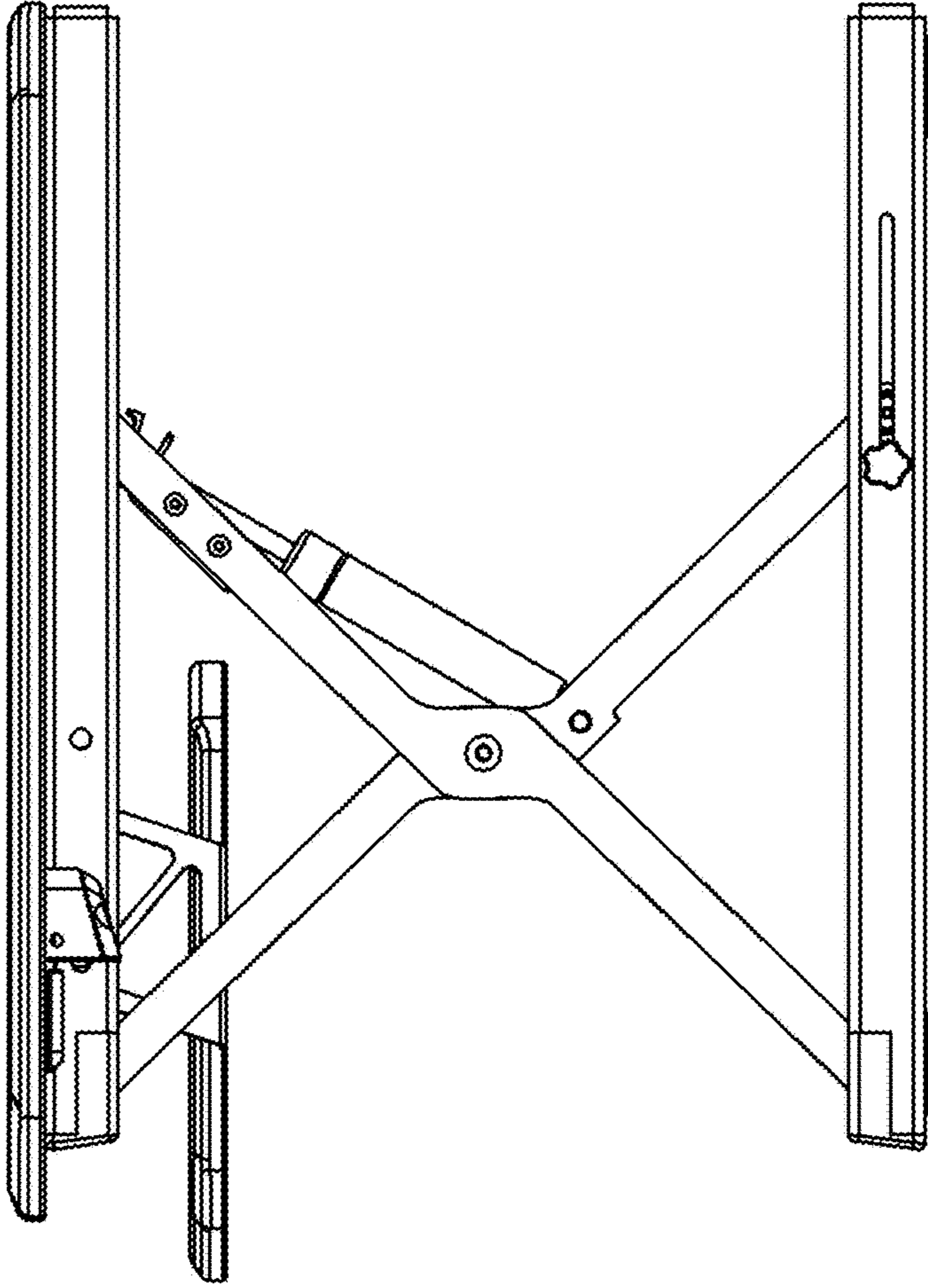


FIG. 6

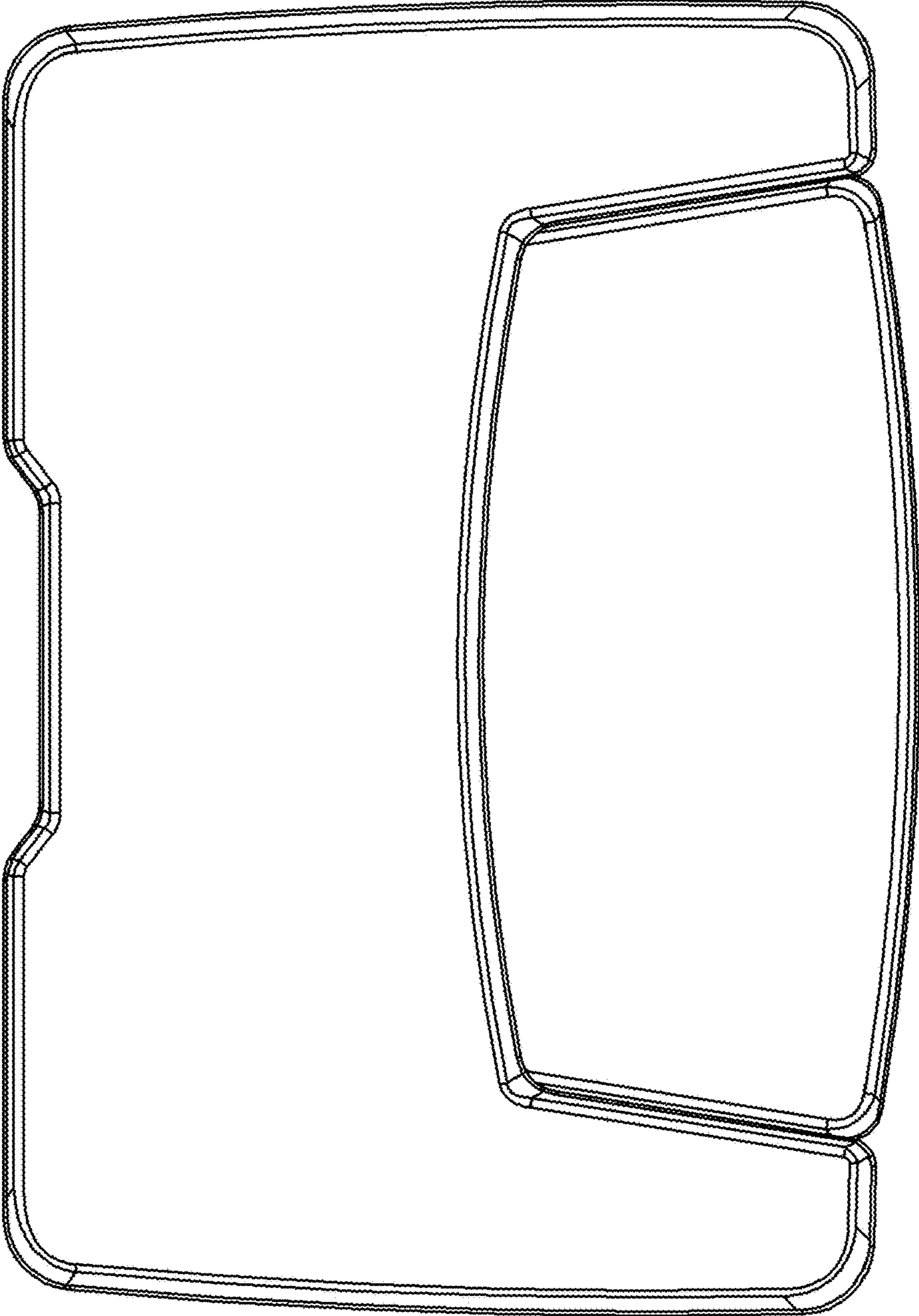
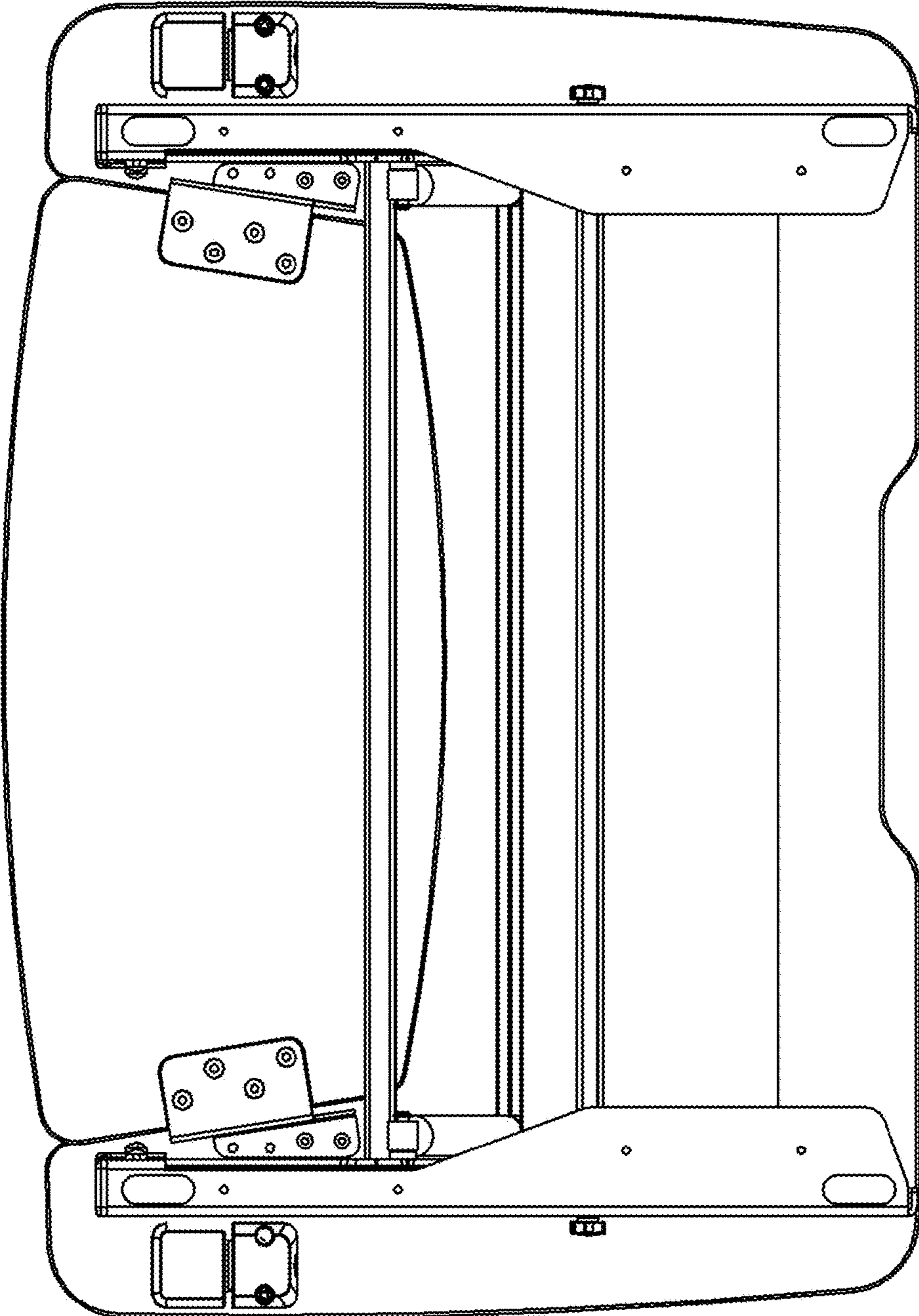


FIG. 7



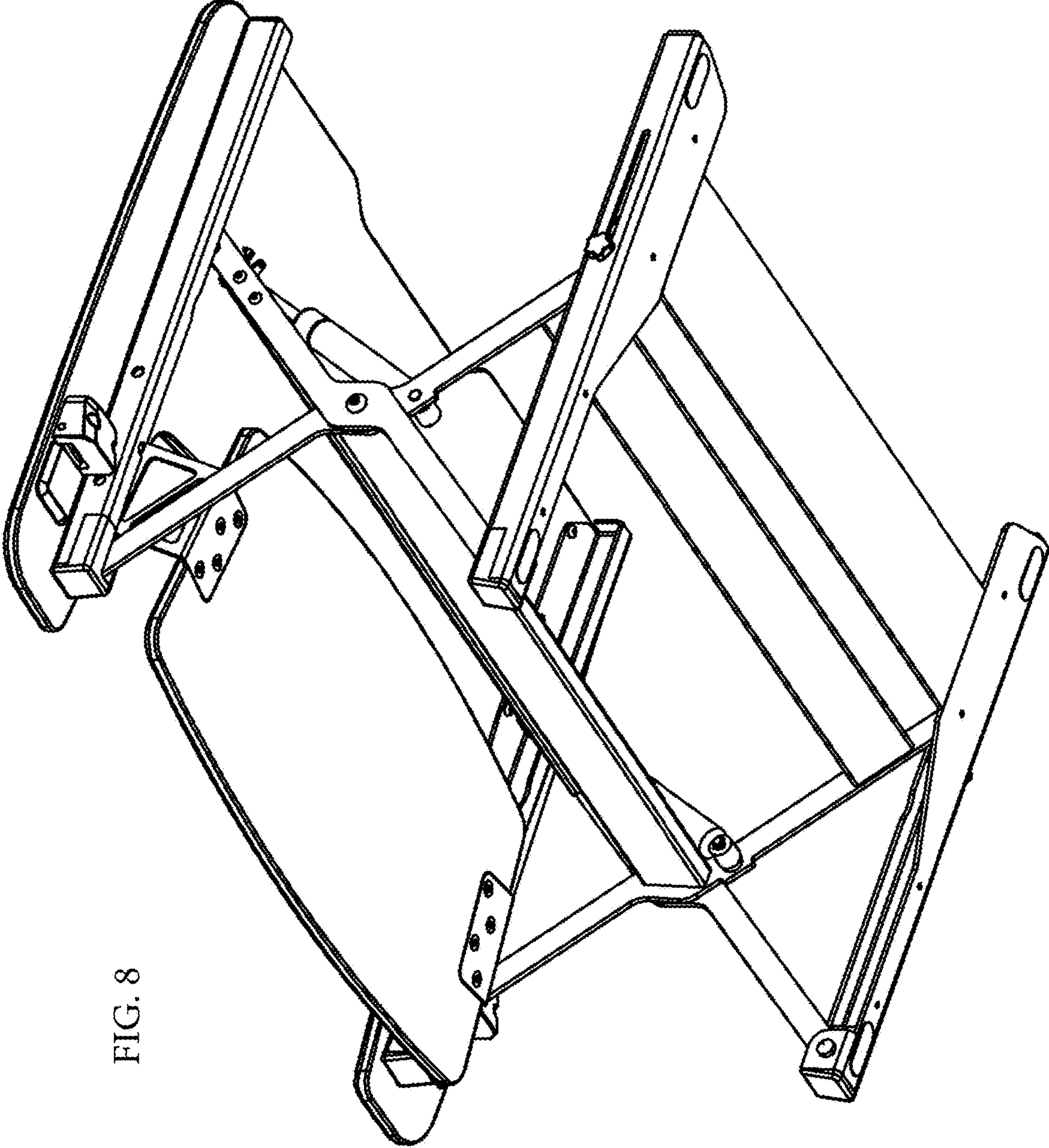


FIG. 8