



US00D845036S

(12) **United States Design Patent**  
**Magno**

(10) **Patent No.:** **US D845,036 S**

(45) **Date of Patent:** **\*\* Apr. 9, 2019**

(54) **PILATES REFORMER BED TOWEL**

(71) Applicant: **Cinthia Magno**, Dana Point, CA (US)

(72) Inventor: **Cinthia Magno**, Dana Point, CA (US)

(\*\*) Term: **15 Years**

(21) Appl. No.: **29/560,739**

(22) Filed: **Apr. 8, 2016**

(51) **LOC (11) Cl.** ..... **06-13**

(52) **U.S. Cl.**  
USPC ..... **D6/608**; D21/694

(58) **Field of Classification Search**  
USPC ..... D6/582-583, 587-592, 595-609,  
D6/617-622; D21/803-809; D2/719,  
D2/731, 740, 741  
CPC ..... A47G 9/00; A47G 2009/001; A47G  
2009/002; A47G 2009/003; A47G  
2009/005; A47G 2009/006; A47G 9/02;  
A47G 9/0207; A47G 9/0215; A47G  
9/0223; A47G 9/023; A47G 9/0238;  
A47G 9/0246; A47G 9/0253; A47G  
9/0261; A47G 9/06; A47G 9/062; A47G  
9/066; A47G 9/068; A47G 9/08; A47G  
2009/0276; A47G 9/0284; A47G 9/0292;  
A47G 9/04; A47G 9/10

See application file for complete search history.

(56) **References Cited**

U.S. PATENT DOCUMENTS

D185,477 S \* 6/1959 Wuollett ..... 297/452.26  
D221,400 S \* 8/1971 O'Donnell ..... 248/346.5  
D229,639 S \* 12/1973 Woog ..... D6/596  
D325,143 S \* 4/1992 Franzese ..... D6/595  
D398,805 S \* 9/1998 Sigmon ..... D6/608

D402,493 S \* 12/1998 Cothren ..... D6/596  
6,073,902 A \* 6/2000 Hiles ..... F16M 13/022  
248/176.1  
D523,495 S \* 6/2006 Carlucci ..... D21/690  
D562,047 S \* 2/2008 Franco ..... D6/597  
D734,849 S \* 7/2015 Conforti ..... D24/124  
D760,849 S \* 7/2016 Iverson ..... D21/480

\* cited by examiner

*Primary Examiner* — Mary Ann Calabrese

*Assistant Examiner* — Jennifer L Rempfer

(74) *Attorney, Agent, or Firm* — Noli IP Solutions PC

(57) **CLAIM**

I claim the ornamental design for a pilates reformer bed towel, as shown and described.

**DESCRIPTION**

FIG. 1 is a perspective view of a pilates reformer bed towel according to the invention.

FIG. 2 is a left side view of the pilates reformer bed towel of FIG. 1.

FIG. 3 is a right side view of the pilates reformer bed towel of FIG. 1.

FIG. 4 is a back side view of the pilates reformer bed towel of FIG. 1.

FIG. 5 is a front side view of the pilates reformer bed towel of FIG. 1.

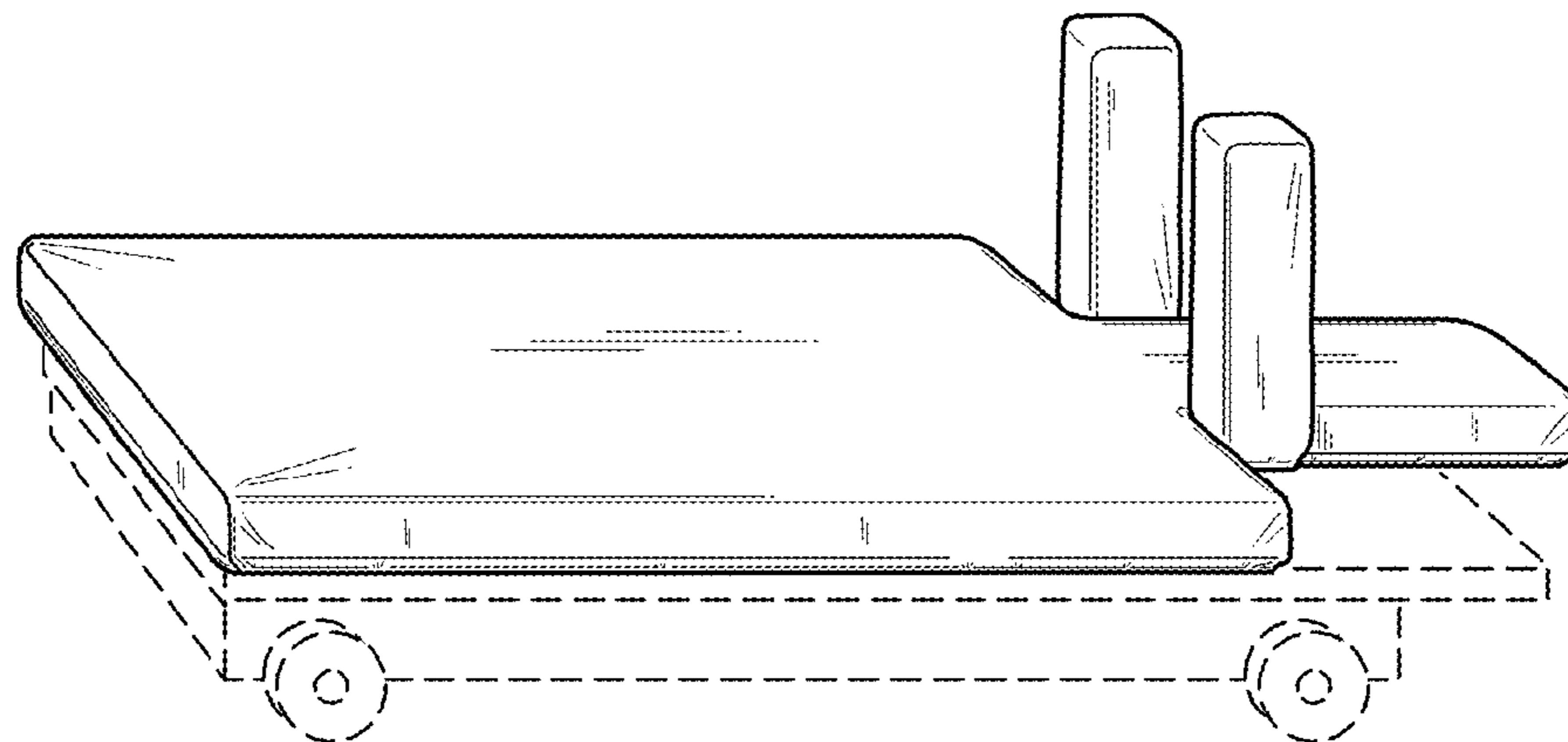
FIG. 6 is a bottom plan view of the pilates reformer bed towel of FIG. 1.

FIG. 7 is a perspective top elevation view of the pilates reformer bed towel of FIG. 1; and,

FIG. 8 is a perspective bottom elevation view of the pilates reformer bed towel of FIG. 1.

The broken lines illustrate the claim in use and form no part of the claimed design.

**1 Claim, 6 Drawing Sheets**



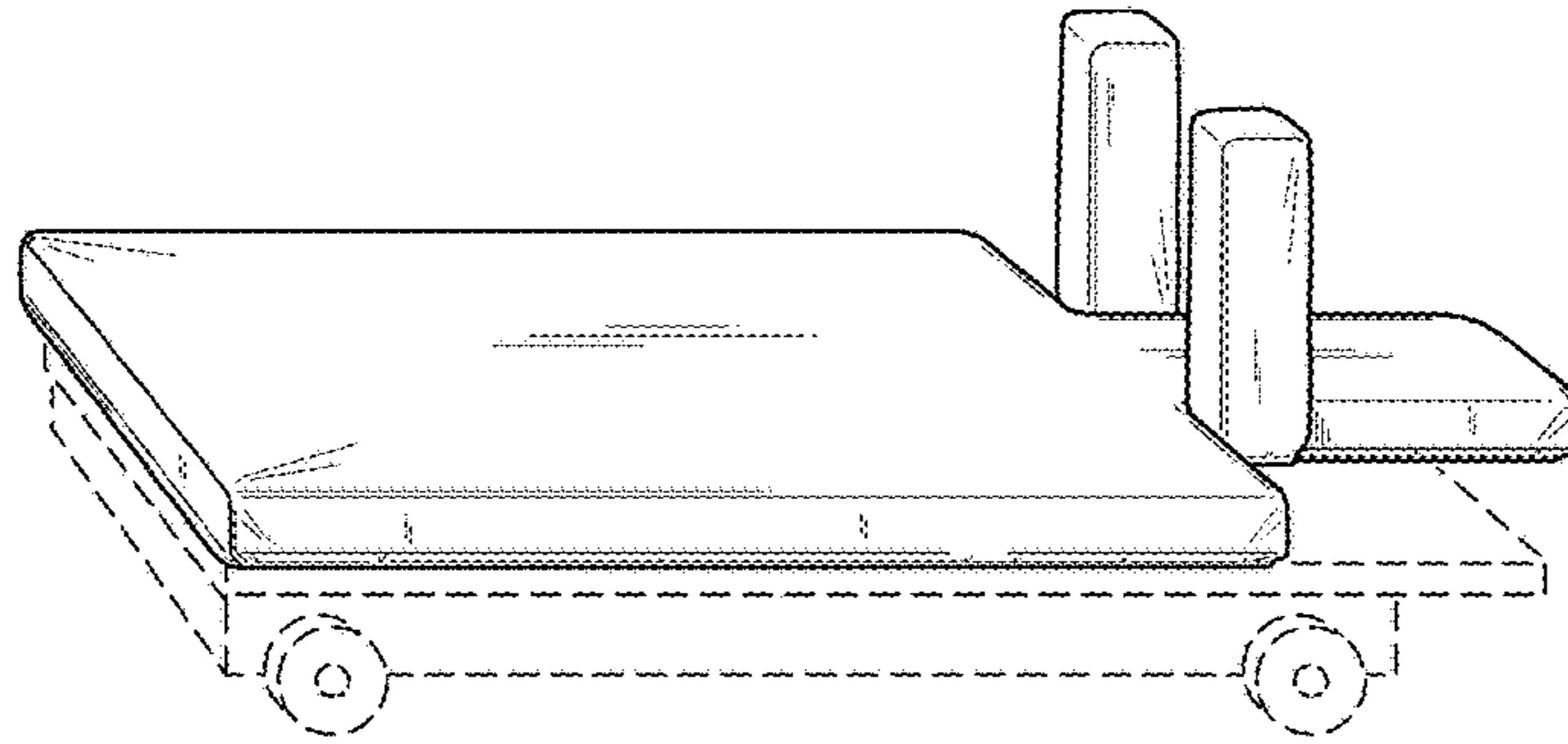


FIG. 1

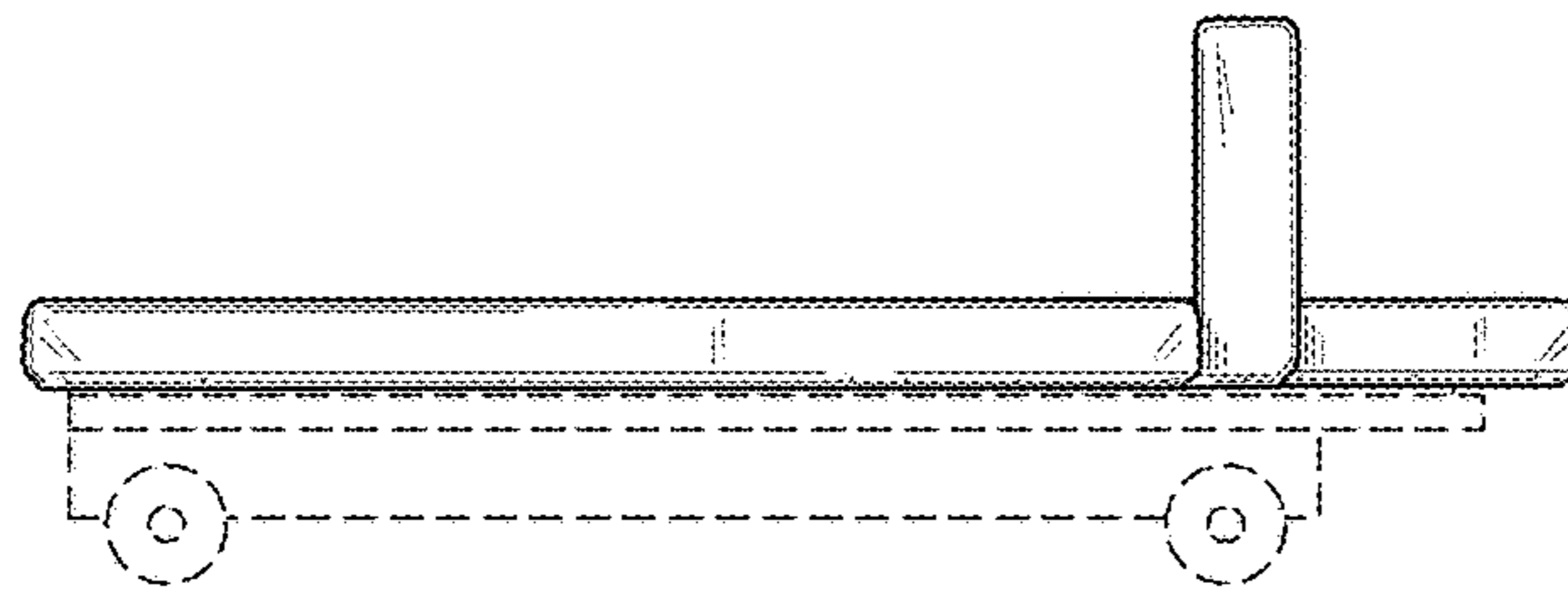


FIG. 2

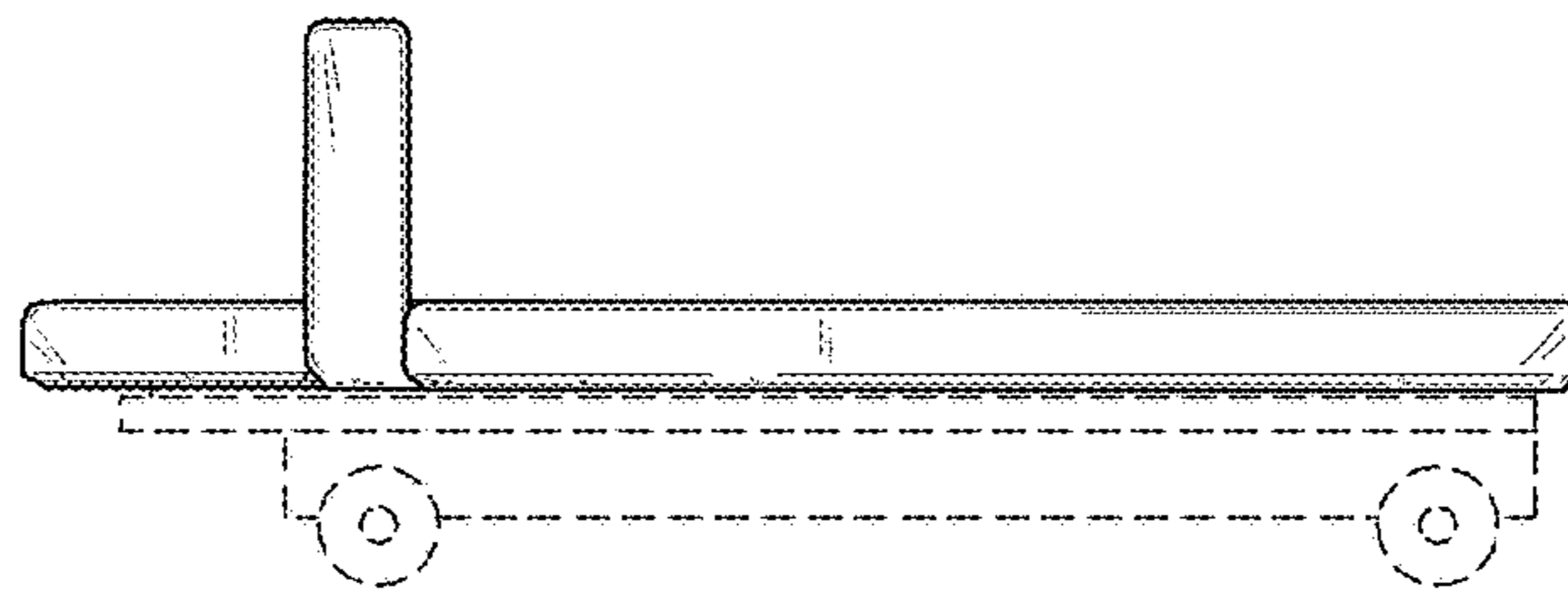


FIG. 3

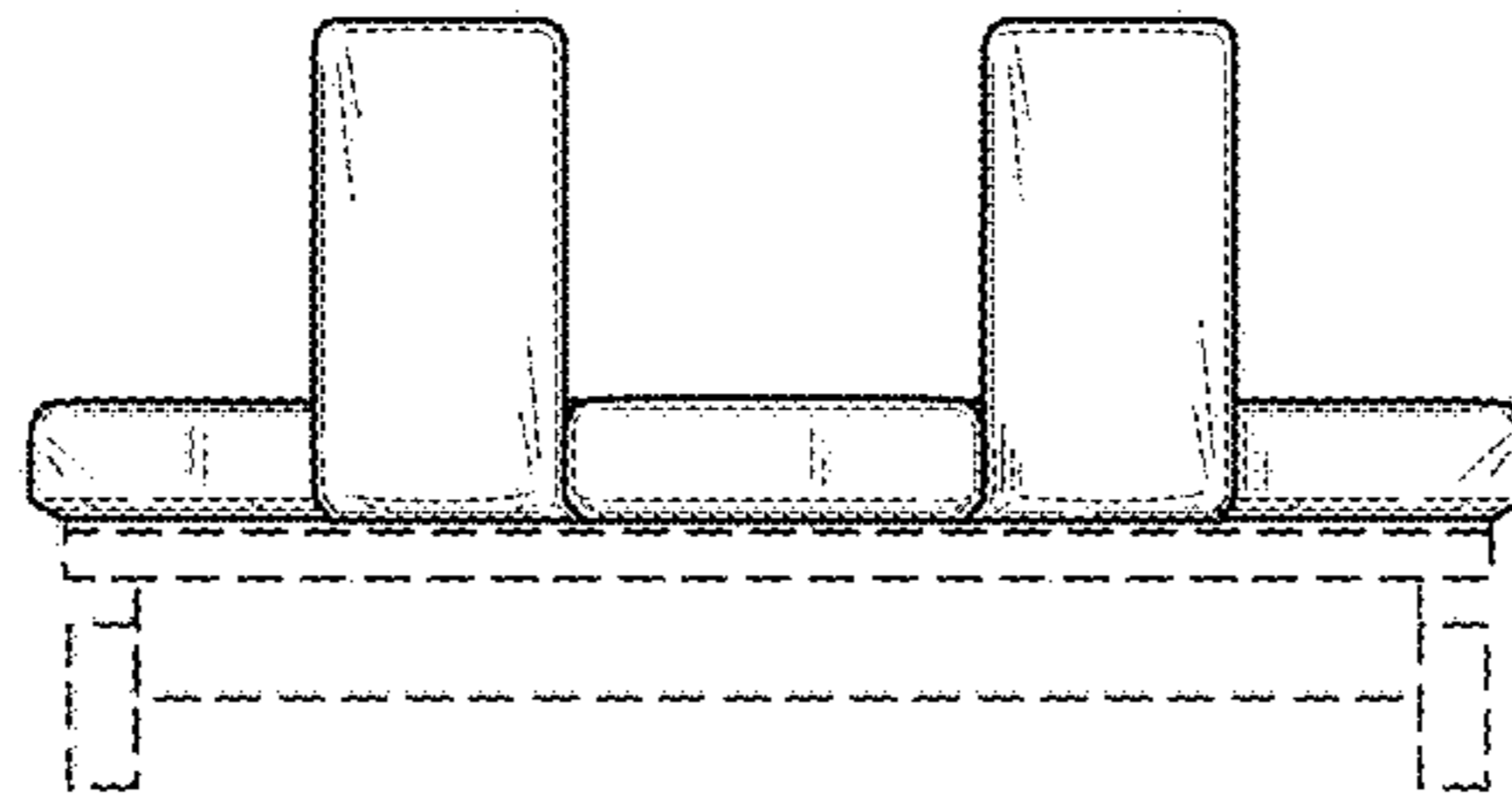


FIG. 4

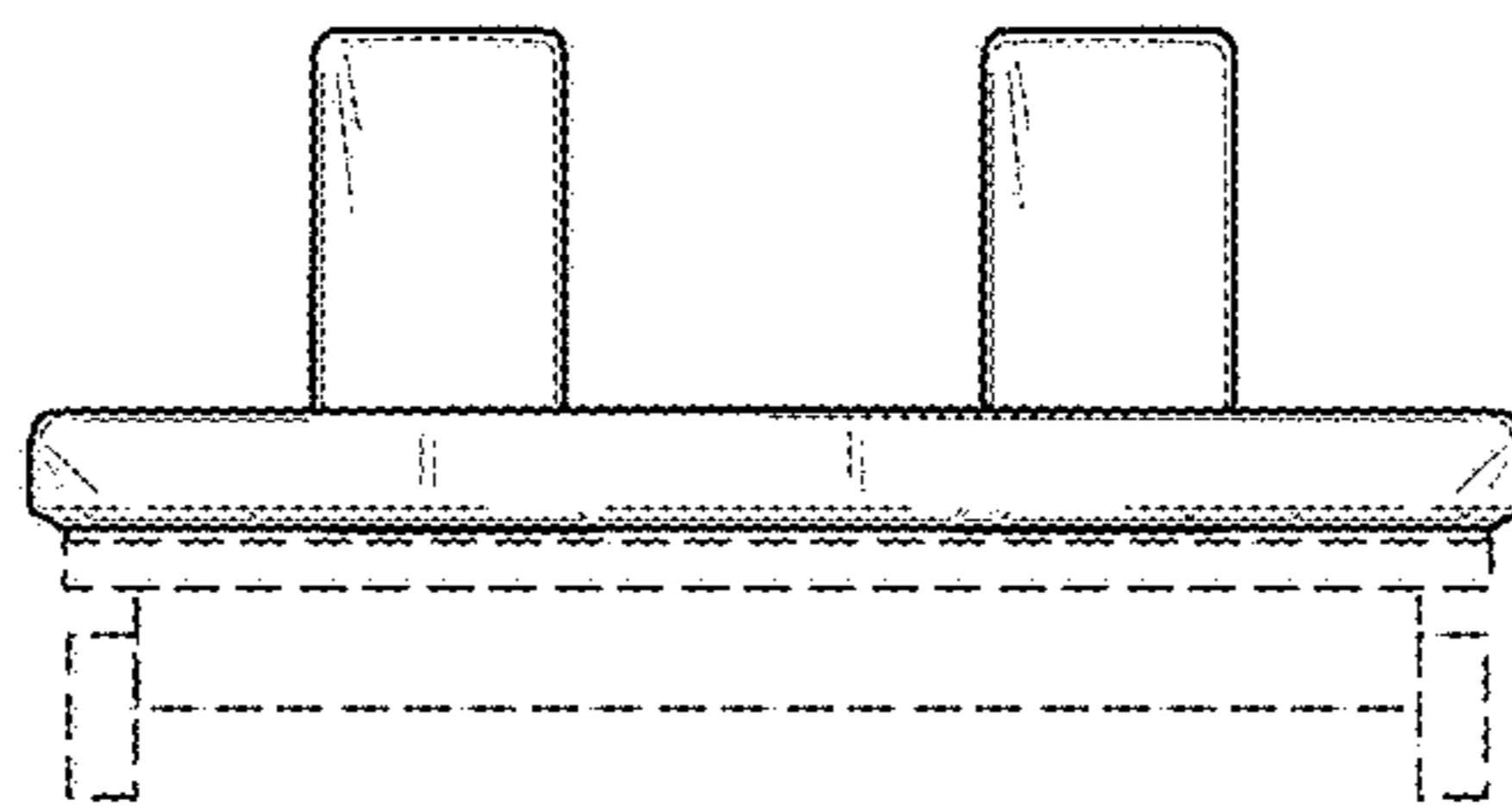


FIG. 5

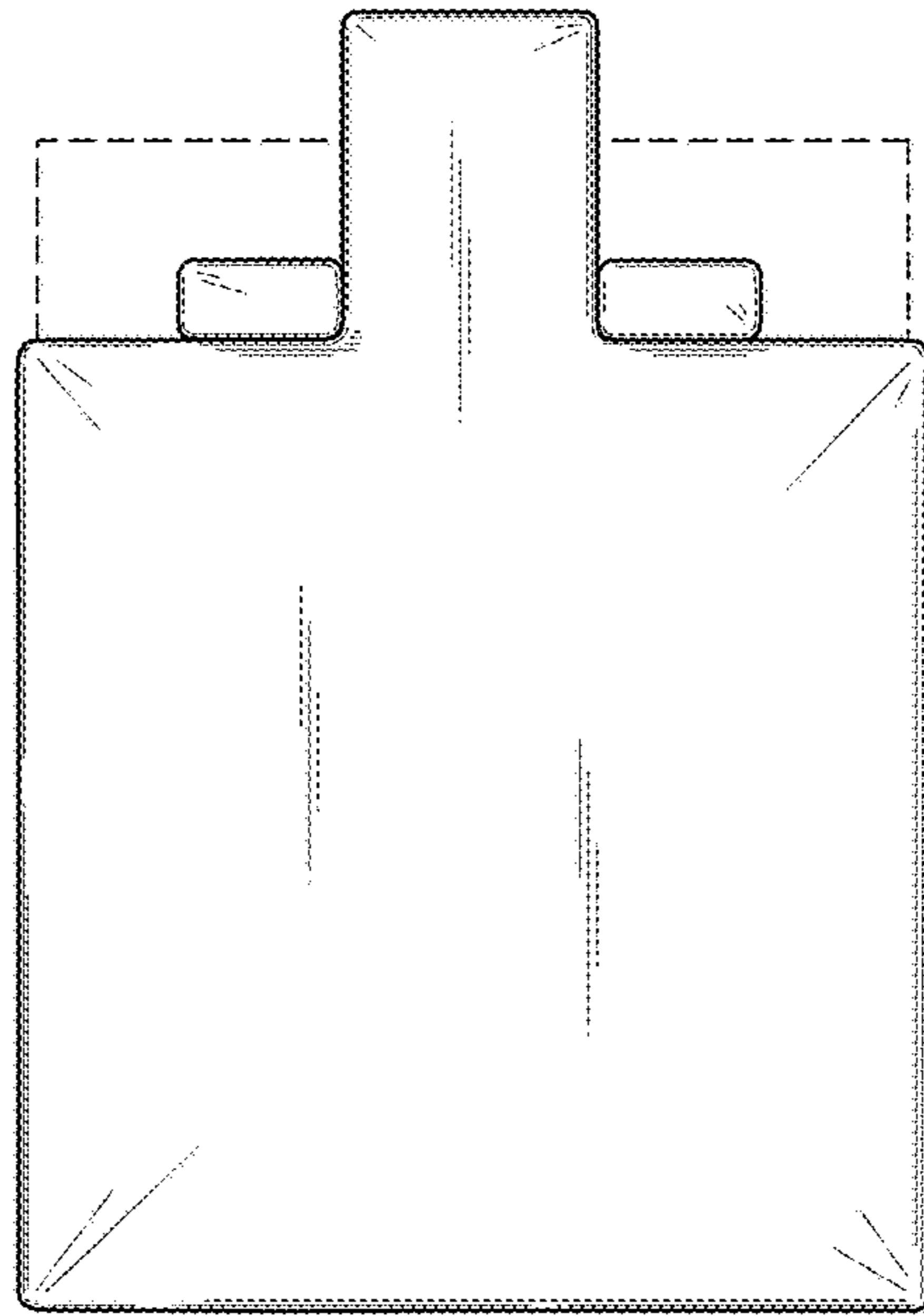


FIG. 6

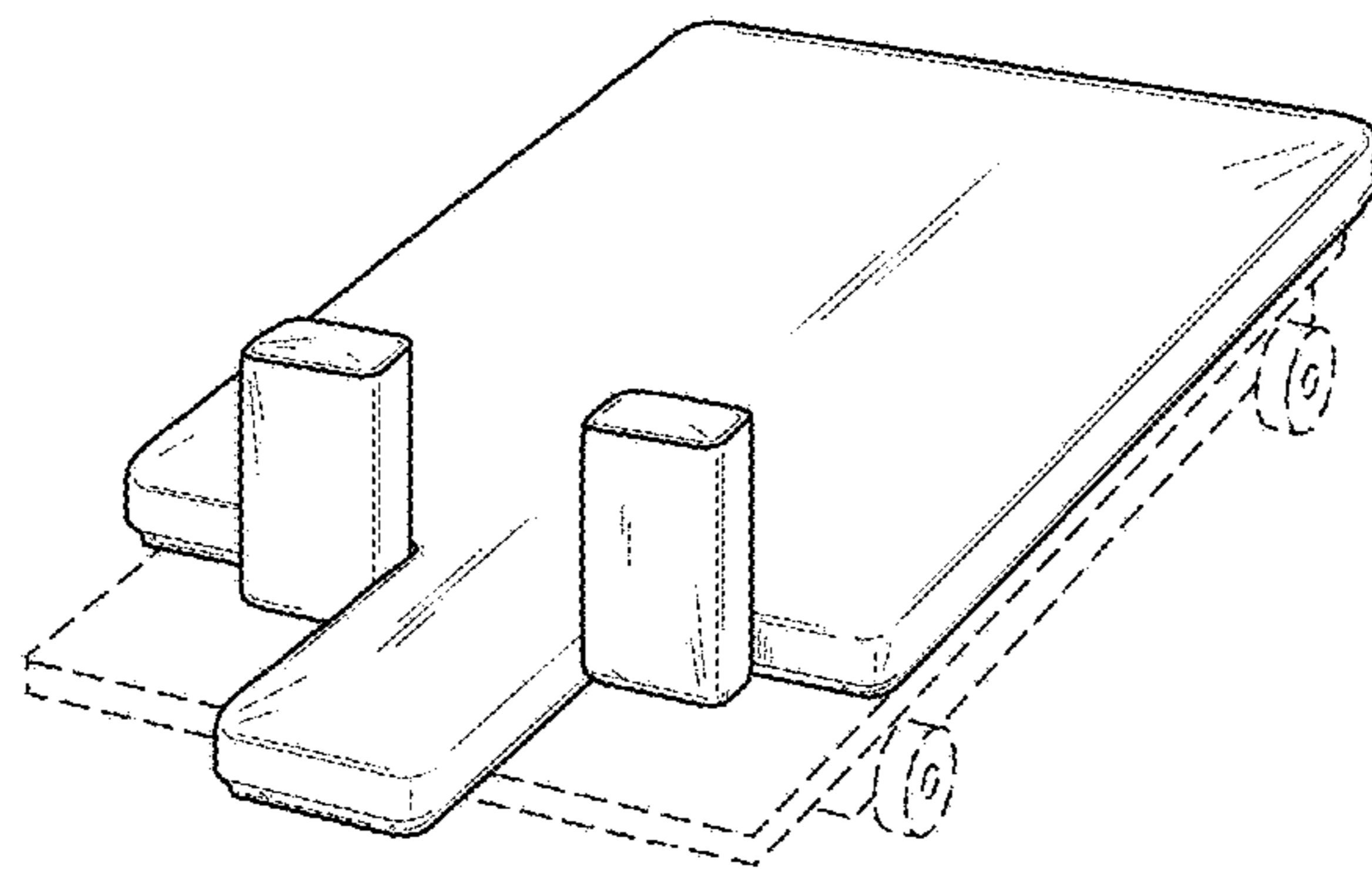


FIG. 7

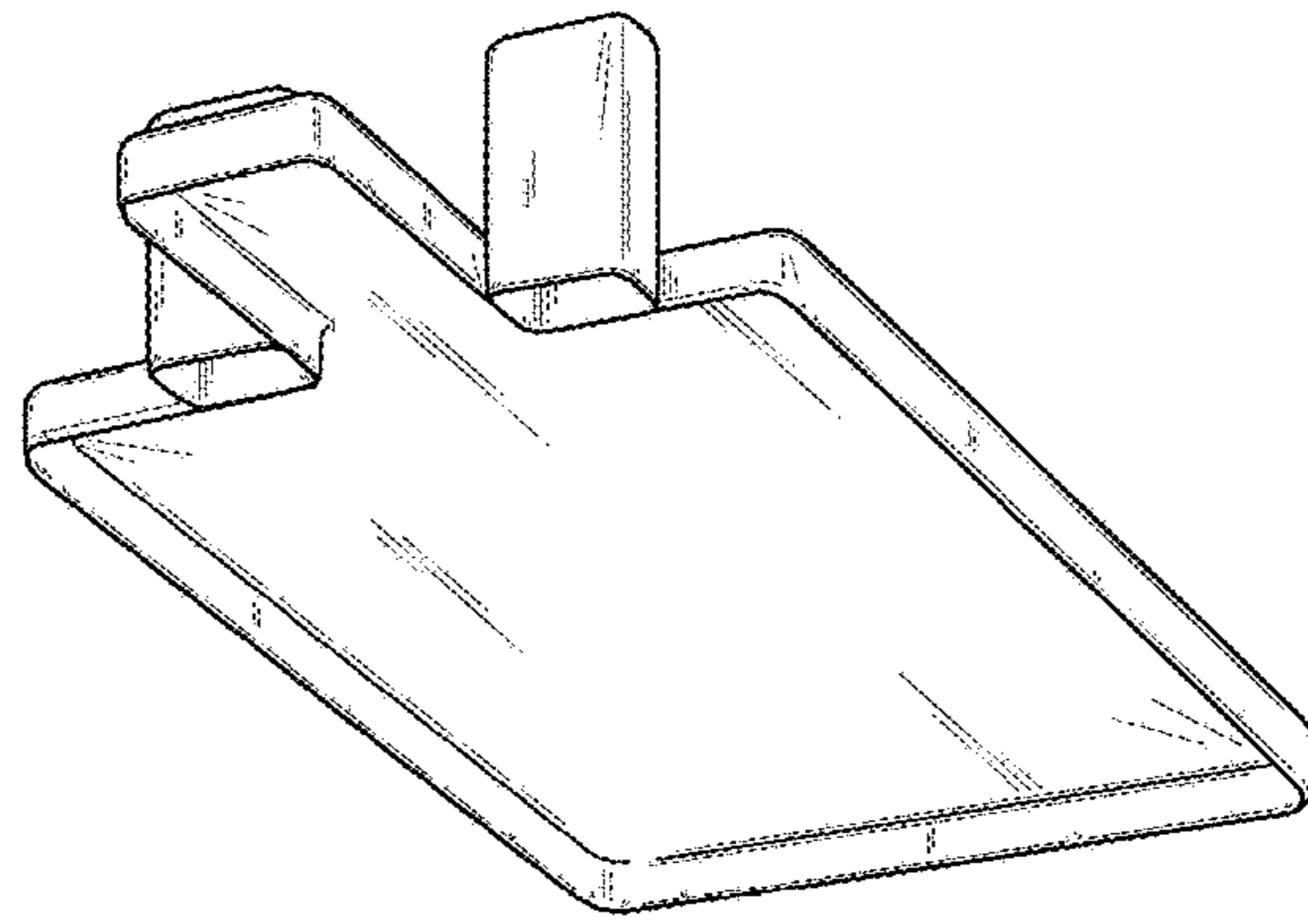


FIG. 8