



US00D845035S

(12) **United States Design Patent**
Raad et al.

(10) **Patent No.:** **US D845,035 S**

(45) **Date of Patent:** **** Apr. 9, 2019**

(54) **BACK PILLOW**

(71) Applicant: **Odracir, LLC**, Boca Raton, FL (US)

(72) Inventors: **Ricardo Raad**, Boca Raton, FL (US);
Juan Najas, Boca Raton, FL (US)

(73) Assignee: **Odracir, LLC**, Boca Raton, FL (US)

(**) Term: **15 Years**

(21) Appl. No.: **29/642,123**

(22) Filed: **Mar. 27, 2018**

(51) **LOC (11) Cl.** **06-09**

(52) **U.S. Cl.**
USPC **D6/601**

(58) **Field of Classification Search**
USPC D6/596, 597, 599, 601
CPC A47G 9/10; A47G 9/1027; A47G 9/1054;
A47G 9/1072; A47G 9/1081; A47G
9/109; A47G 2009/1018
See application file for complete search history.

(56) **References Cited**

U.S. PATENT DOCUMENTS

D114,973 S *	5/1939	Eckman	5/633
4,635,306 A *	1/1987	Willey	A47C 3/16
				5/632
5,432,967 A *	7/1995	Raftery	A47C 16/005
				5/633
D406,718 S *	3/1999	Jacobs	D21/686
6,360,387 B1 *	3/2002	Everhart	A47C 20/027
				5/490
6,643,874 B1 *	11/2003	Geglein	A47C 1/146
				297/181

D531,315 S *	10/2006	Caudra	D24/183
D793,769 S *	8/2017	Nacey	D6/601
D833,628 S *	11/2018	Davis	D24/190
2008/0109961 A1 *	5/2008	Yu	A47G 9/10
				5/636
2008/0115284 A1 *	5/2008	Hiatt	A61G 7/065
				5/632

* cited by examiner

Primary Examiner — R. Johnson

(74) *Attorney, Agent, or Firm* — Johnson | Dalal; Mark C. Johnson

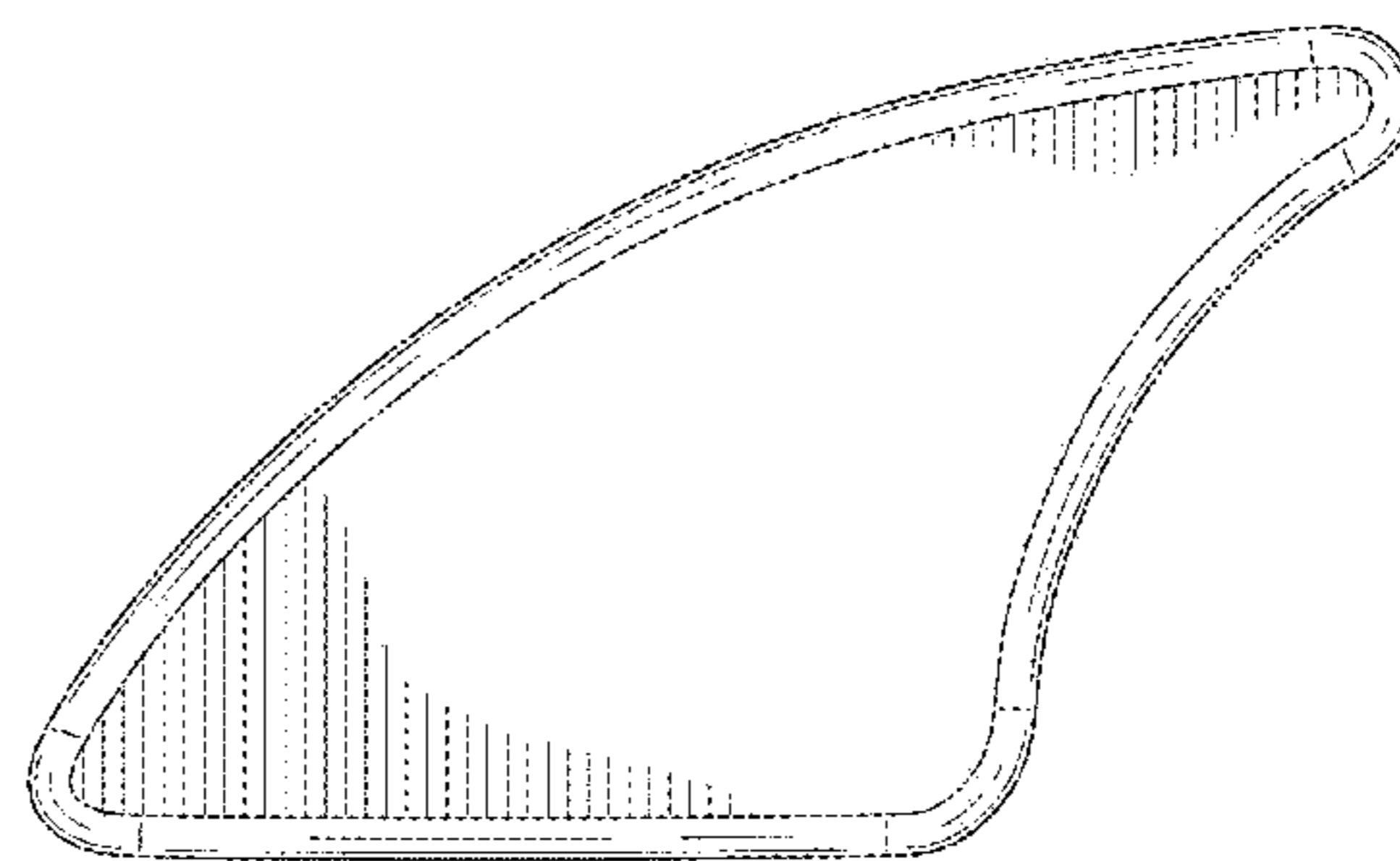
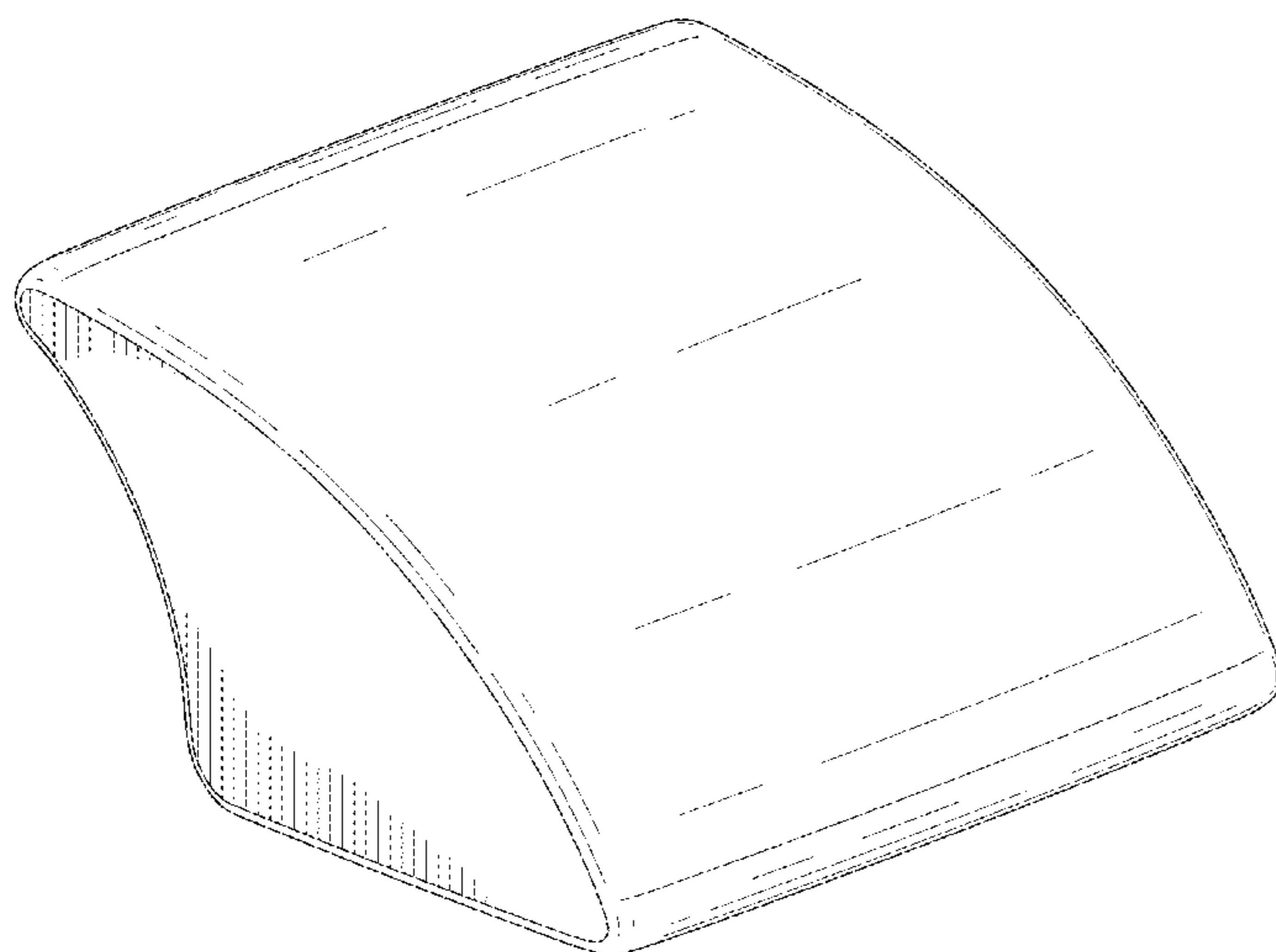
(57) **CLAIM**

The ornamental design for a back pillow, as shown and described.

DESCRIPTION

FIG. 1 is a top perspective view of a back pillow in accordance with the present invention;
FIG. 2 is a bottom perspective view of the back pillow in FIG. 1;
FIG. 3 is a top plan view of the back pillow in FIG. 1;
FIG. 4 is a bottom plan view of the back pillow in FIG. 1
FIG. 5 is a left-side elevational view of the back pillow in FIG. 1;
FIG. 6 is a right-side elevational view of the back pillow in FIG. 1;
FIG. 7 is a front elevational view of the back pillow in FIG. 1; and,
FIG. 8 is a rear elevational view of the back pillow in FIG. 1.

1 Claim, 8 Drawing Sheets



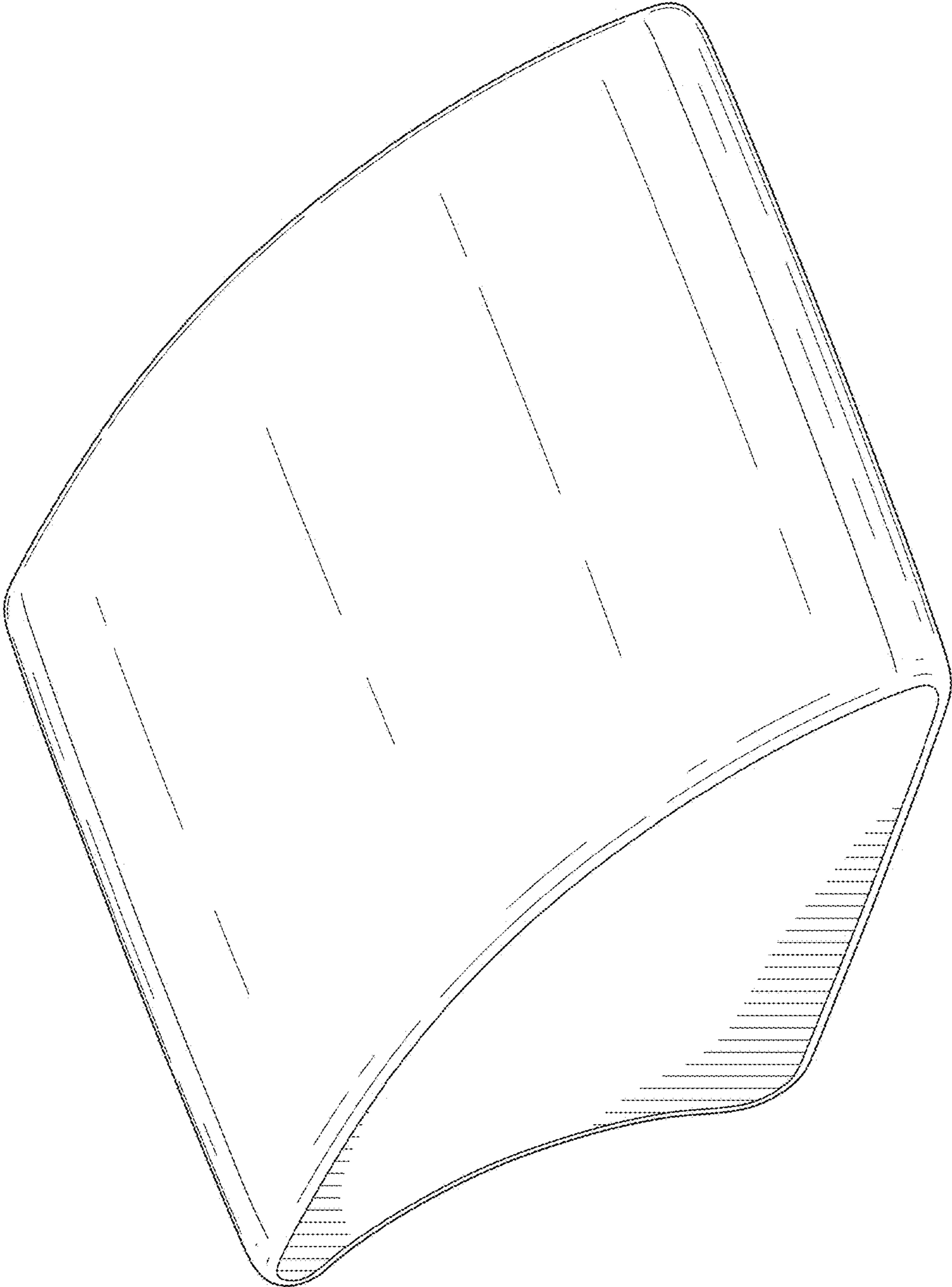


FIG. 1

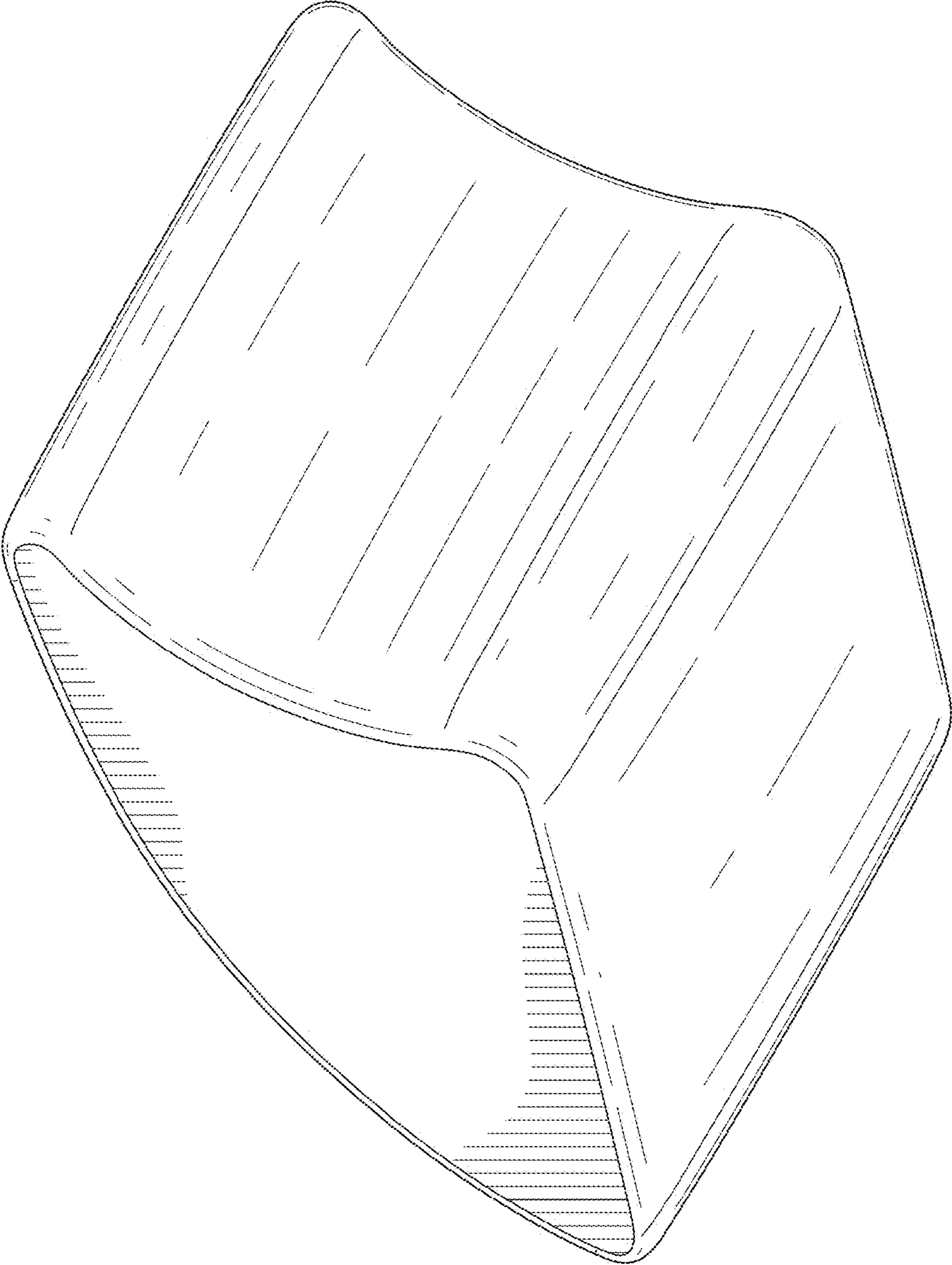


FIG. 2

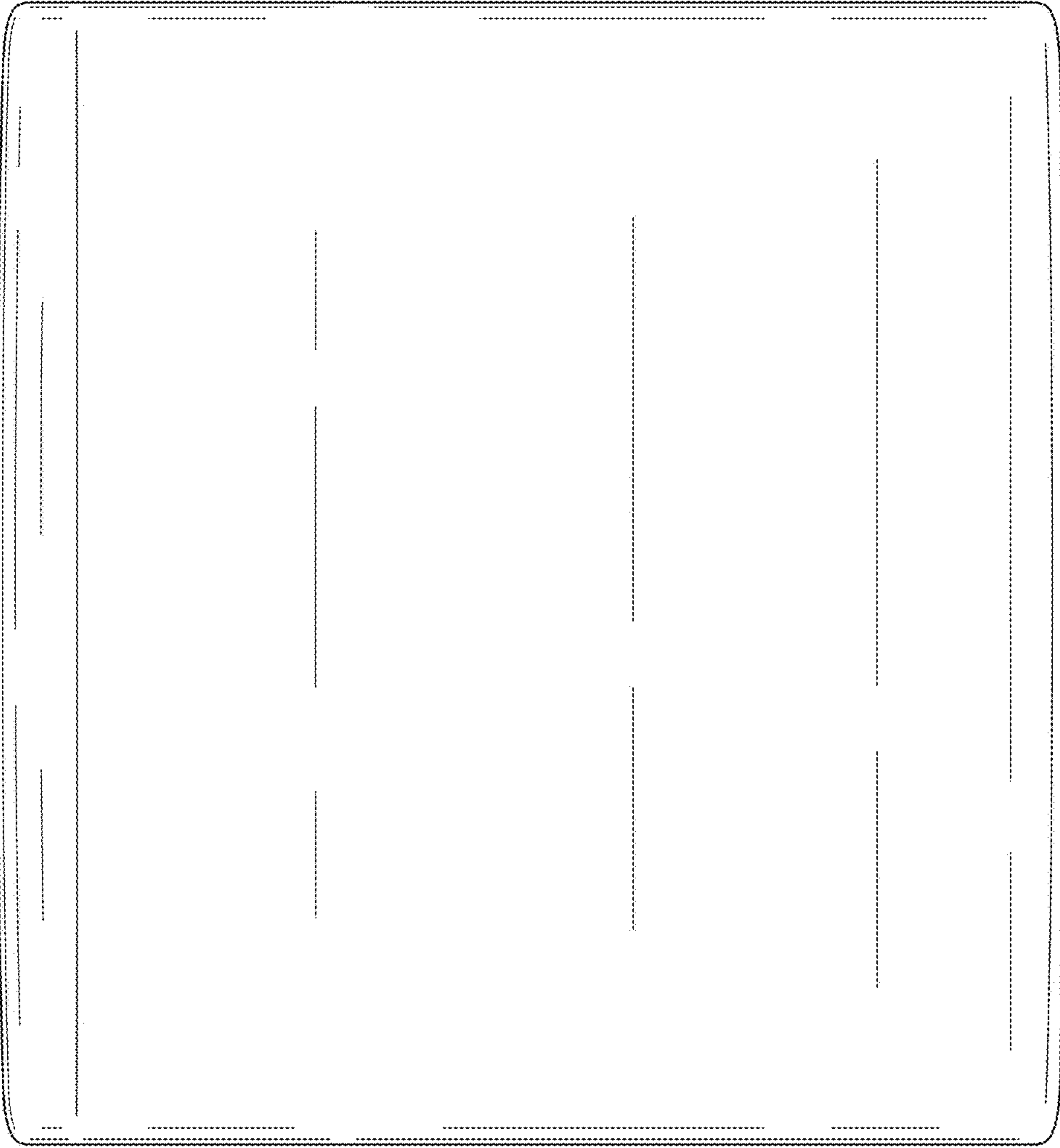


FIG. 3

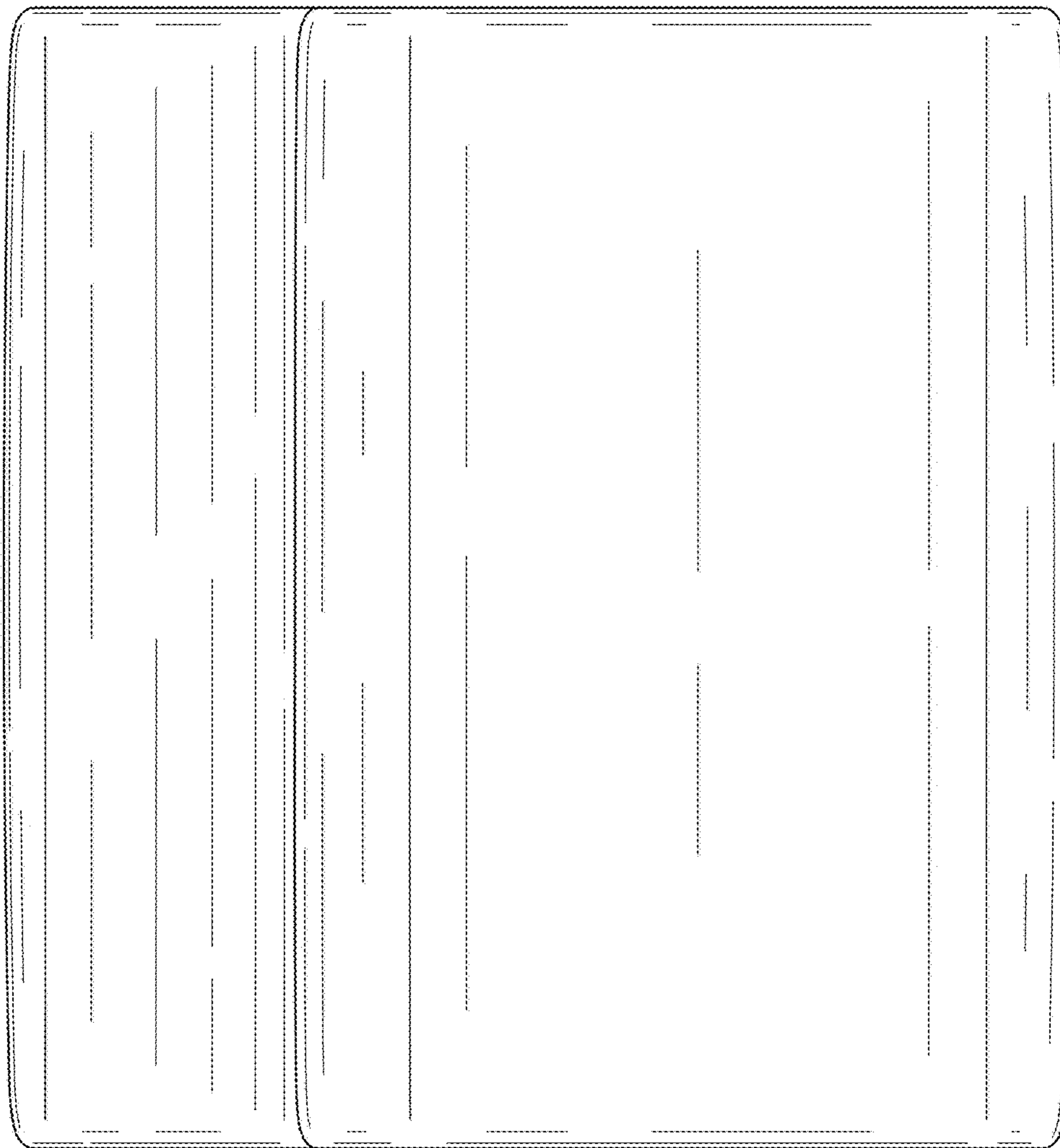


FIG. 4

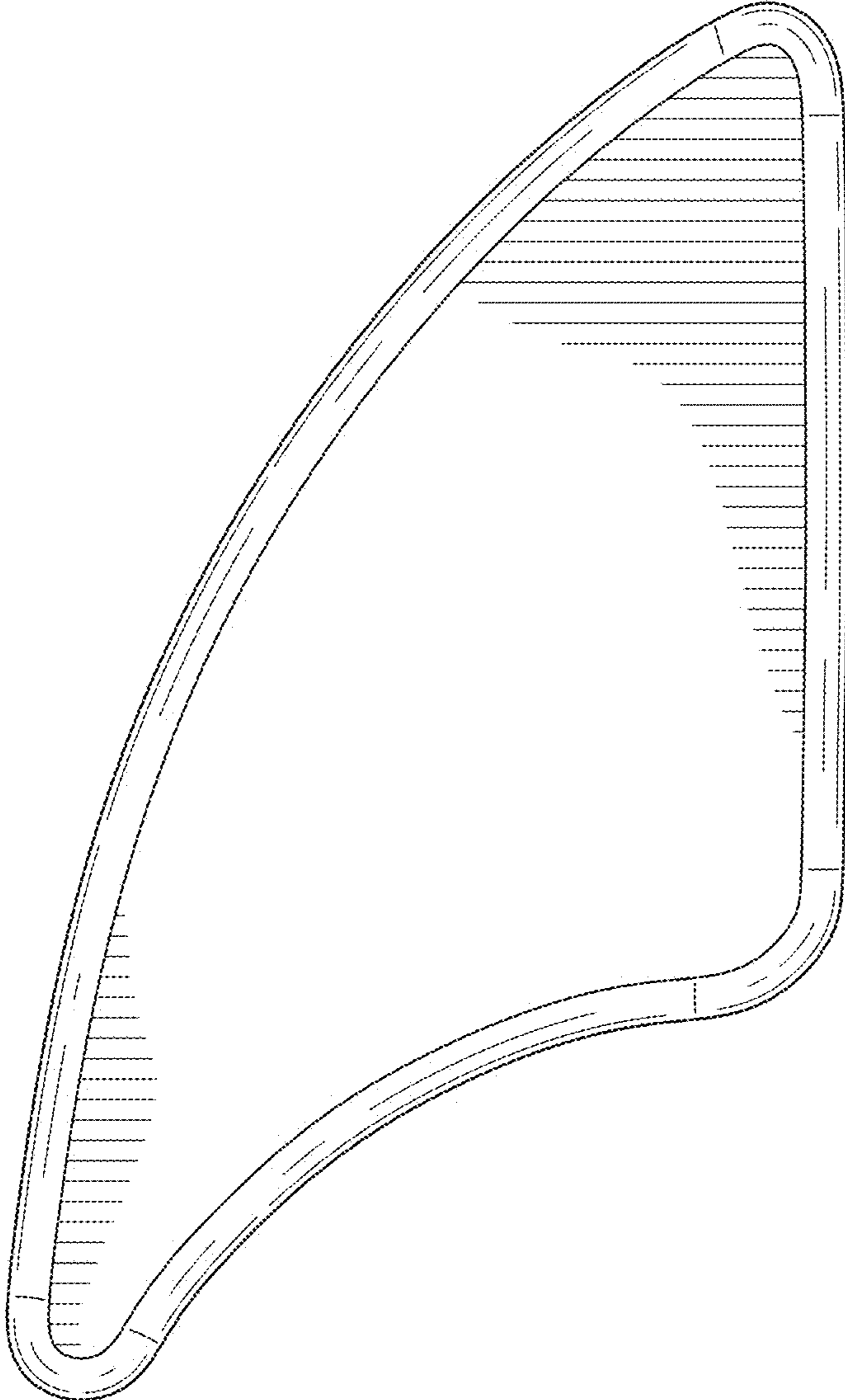


FIG. 5

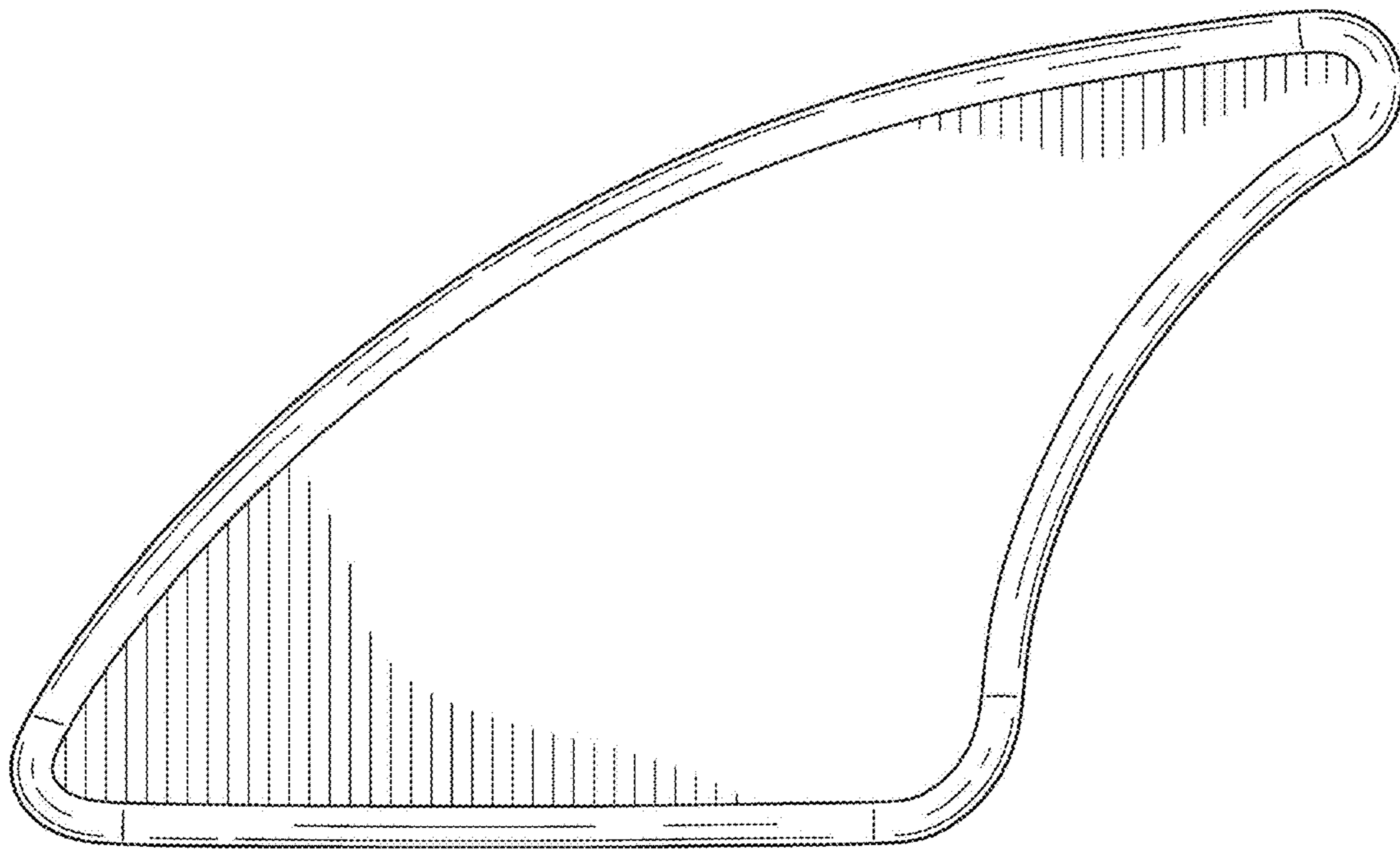


FIG. 6

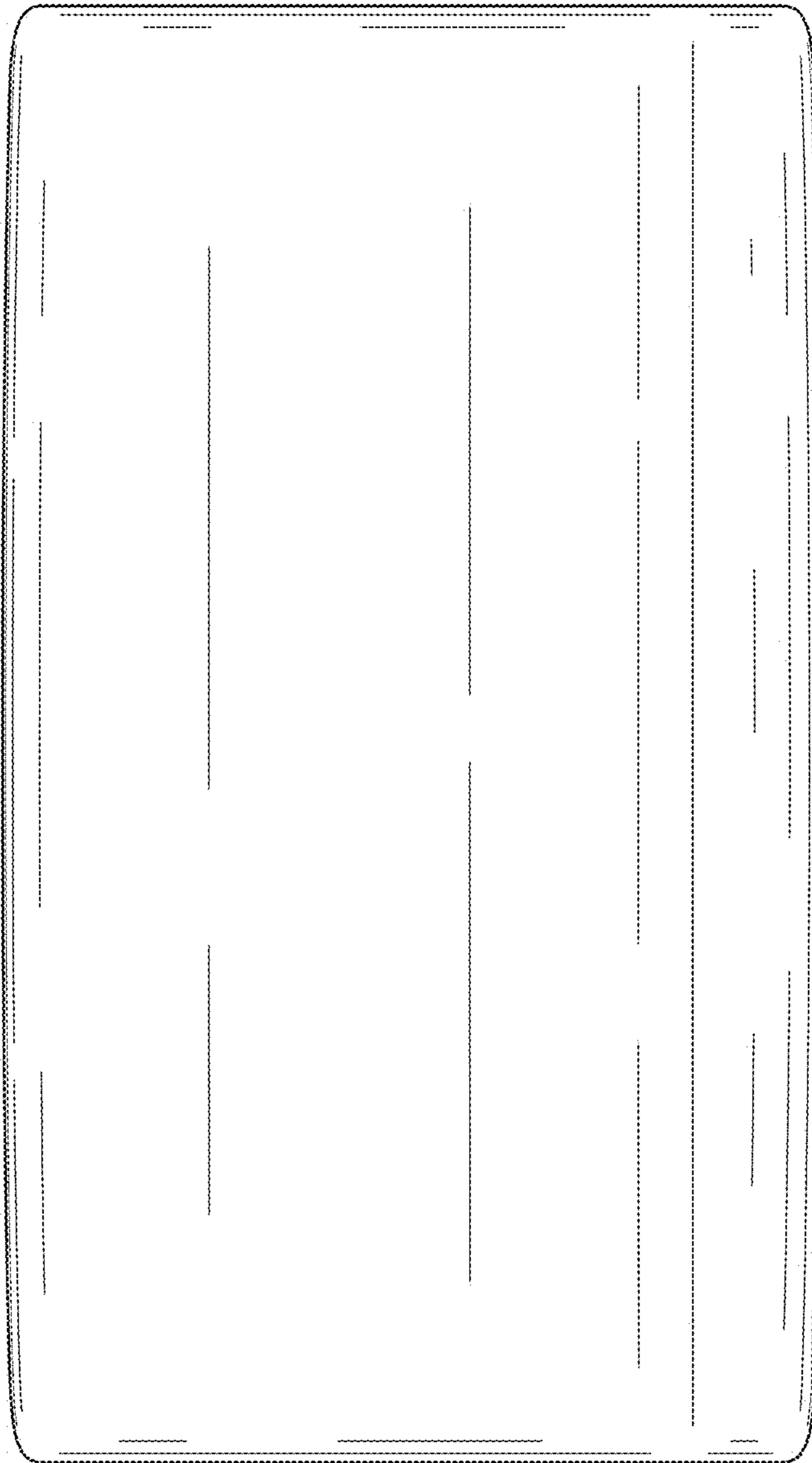


FIG. 7

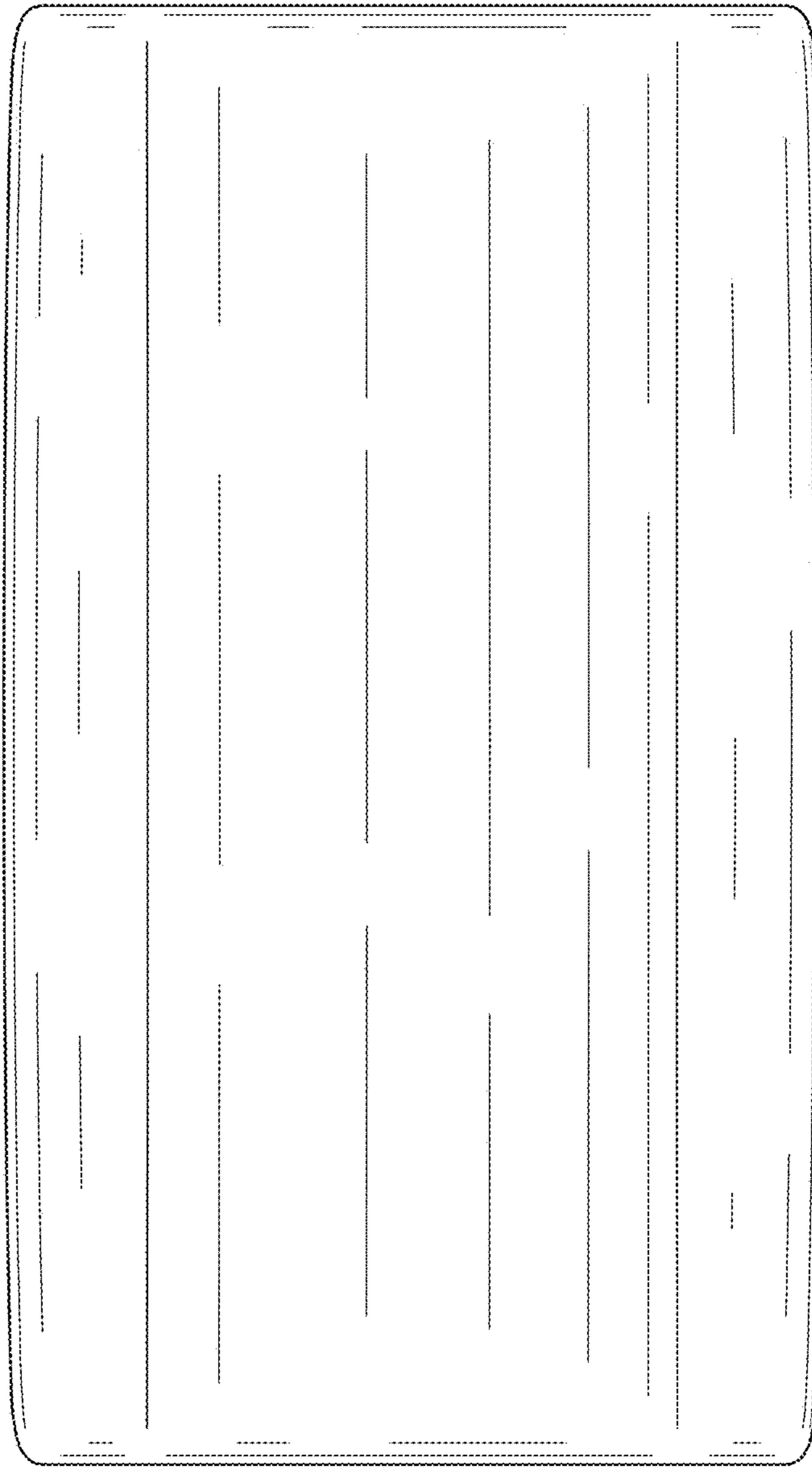


FIG. 8