



US00D845034S

(12) **United States Design Patent**
Shapiro

(10) **Patent No.:** **US D845,034 S**

(45) **Date of Patent:** **** Apr. 9, 2019**

(54) **LADDER CUSHION**

(71) Applicant: **Jeremy Shapiro**, Largo, FL (US)

(72) Inventor: **Jeremy Shapiro**, Largo, FL (US)

(**) Term: **15 Years**

(21) Appl. No.: **29/606,396**

(22) Filed: **Jun. 5, 2017**

(51) **LOC (11) Cl.** **06-09**

(52) **U.S. Cl.**
USPC **D6/601**

(58) **Field of Classification Search**
USPC D6/610-611, 601, 604, 605-606, 595,
D6/356, 374-380, 582, 596; 5/619, 644,
5/653-657; D21/803-804;
297/203-215.16, 229
CPC A47G 9/1027; A47G 9/10; B60N 2/66;
B60N 2/64; B60N 2/60; B60N 2/58;
A47C 31/10; A47C 31/11; A47C 7/021;
A47C 7/18; A47C 7/185; A47C 7/20;
A47C 7/22; A47C 7/36; A47C 7/38;
A47C 7/40; B60R 21/207
See application file for complete search history.

(56) **References Cited**

U.S. PATENT DOCUMENTS

3,268,922	A *	8/1966	Moxley	A47C 17/82 224/235
4,194,257	A *	3/1980	Martin	B63C 9/11 182/3
4,588,224	A *	5/1986	Hill, Jr.	A47C 7/021 297/4
D307,347	S *	4/1990	Gibson	D12/401
4,949,887	A *	8/1990	Holmes	A41D 13/081 126/204
5,190,350	A *	3/1993	Hwang	A47C 1/143 297/226
5,332,288	A *	7/1994	Coates	B60N 2/787 297/411.21

5,345,633	A *	9/1994	Harnish	B60N 2/879 5/639
D351,279	S *	10/1994	Montgomery	D2/639
D359,192	S *	6/1995	Franklin, III	D6/596
D382,995	S *	9/1997	Hale	D3/215
D383,930	S *	9/1997	Perry	D6/601
5,700,053	A *	12/1997	Downing	A47C 7/546 297/227
D400,704	S *	11/1998	Leinberger	D3/215
D404,954	S *	2/1999	Spaeth	D6/601

(Continued)

Primary Examiner — Shannon W Morgan

Assistant Examiner — Altaira J Swanger

(74) *Attorney, Agent, or Firm* — Larson & Larson, P.A.;
Frank Liebenow; Justin P. Miller

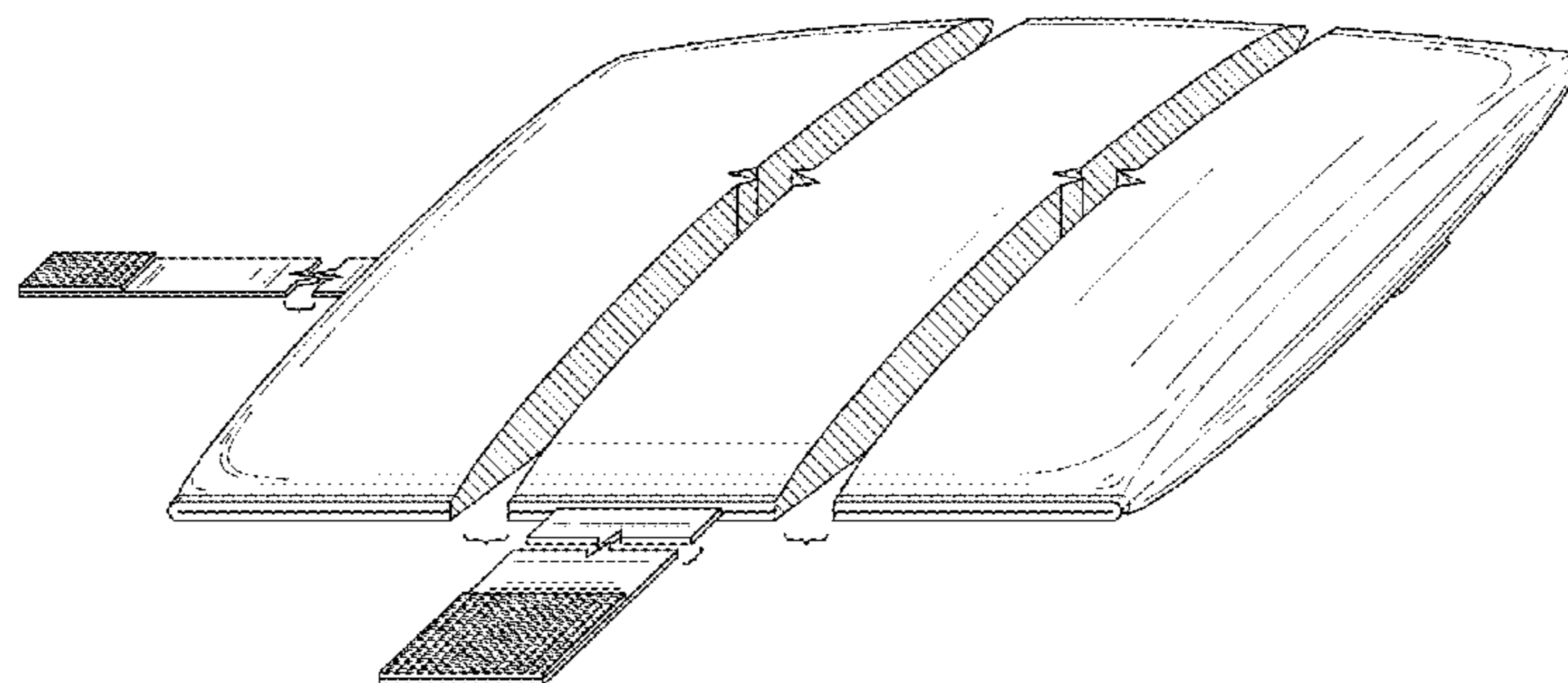
(57) **CLAIM**

The ornamental design for a ladder cushion, as shown and described.

DESCRIPTION

FIG. 1 is a top right perspective view of a ladder cushion showing my new design in an unattached configuration; FIG. 2 is a front elevation view thereof; FIG. 3 is a rear elevation view thereof; FIG. 4 is a right side elevation view thereof; FIG. 5 is a left side elevation view thereof; FIG. 6 is a top plan view thereof; FIG. 7 is a bottom plan view thereof; and, FIG. 8 is a top right perspective view of the ladder cushion in an attached configuration thereof. The article is shown with a symbolic break. The appearance of any portion of the design between the breaks forms no part of the claimed design. The broken lines depicting the exemplary ladder in FIG. 8 depict environmental subject matter only and form no part of the claimed design. The broken lines shown on the ladder cushion depict stitching and form no part of the claimed design.

1 Claim, 6 Drawing Sheets



(56)

References Cited

U.S. PATENT DOCUMENTS

D429,880 S *	8/2000	McCullough, Jr.	D3/215	D790,255 S *	6/2017	Mi	D6/601
6,502,902 B1 *	1/2003	Romero	A47C 1/16	9,944,369 B2 *	4/2018	Sellmeyer	B63C 9/30
			297/352	D821,741 S *	7/2018	Shapiro	D3/215
D471,751 S *	3/2003	Chihlas	D6/601	D822,409 S *	7/2018	Kleinman	D6/601
D481,579 S *	11/2003	Colbert	D6/607	2004/0182896 A1 *	9/2004	Ballard	A45F 3/14
D537,623 S *	3/2007	Dennis	D3/218				224/222
D571,595 S *	6/2008	Schasteen	D6/598	2010/0095459 A1 *	4/2010	Lambert	A61G 5/1043
D590,648 S *	4/2009	Rahimian	D6/601				5/653
D612,187 S *	3/2010	Visco	D6/604	2010/0148552 A1 *	6/2010	Bredl	B64D 25/10
D616,644 S *	6/2010	Ramon	D3/224				297/228.13
D627,184 S *	11/2010	Pisani	D6/603	2015/0090778 A1 *	4/2015	Trongone	A47C 1/13
D642,845 S *	8/2011	Farley	D6/596				235/375
D659,252 S *	5/2012	Batiste	D24/190	2016/0001886 A1 *	1/2016	Fullerton	B64D 11/0647
D682,542 S *	5/2013	Williams	D3/226				297/219.1
D697,739 S *	1/2014	Nabeta	D6/601	2016/0143452 A1 *	5/2016	Friedman	A47C 31/11
9,271,588 B1 *	3/2016	Phillips	A47G 9/0253				297/183.1
D762,306 S *	7/2016	Torres	D24/192	2016/0324323 A1 *	11/2016	Jahner	A47C 7/425
D769,028 S *	10/2016	Little	D6/601	2017/0113765 A1 *	4/2017	Sellmeyer	B63C 9/30
				2018/0116892 A1 *	5/2018	Kovyarenko	A47C 31/113
				2018/0147082 A1 *	5/2018	Maltais	A61F 5/37

* cited by examiner

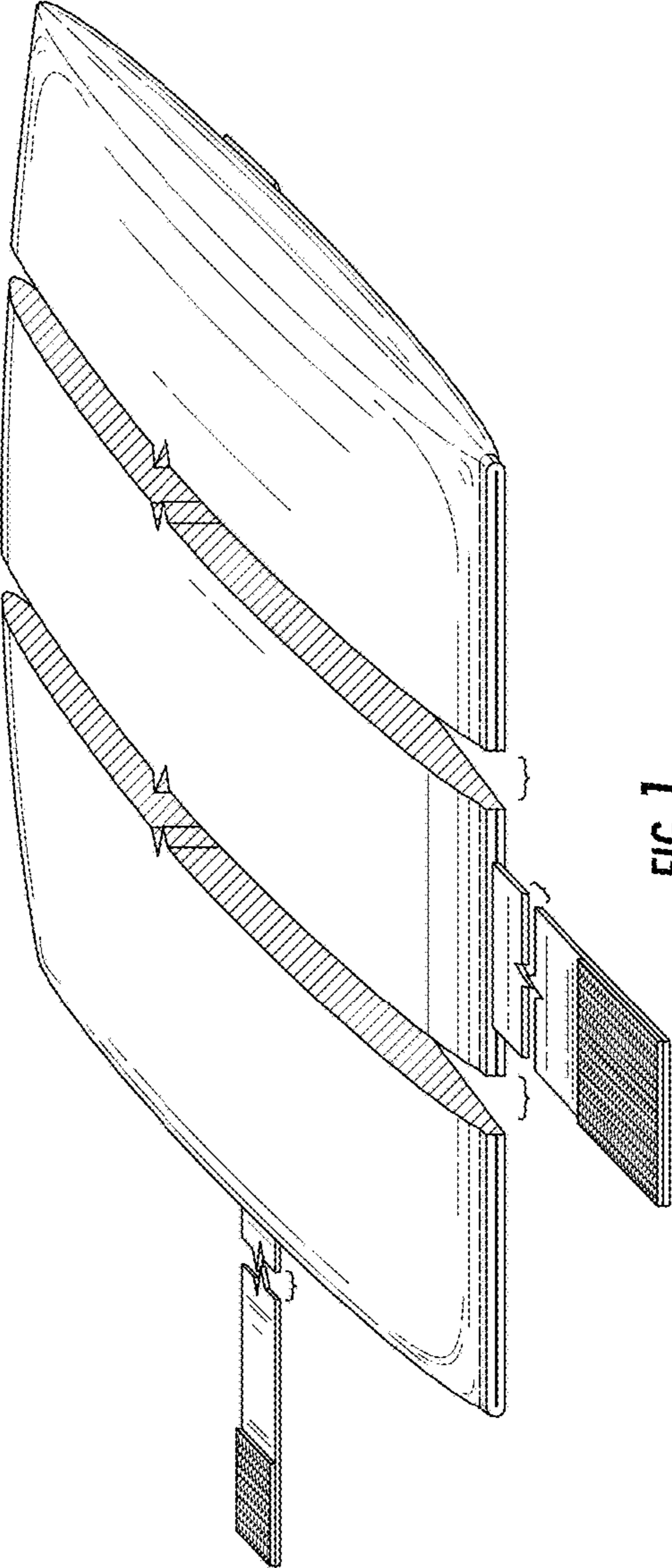


FIG. 1

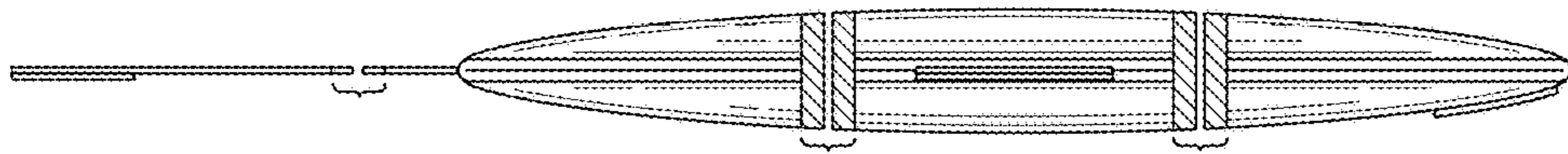


FIG. 2

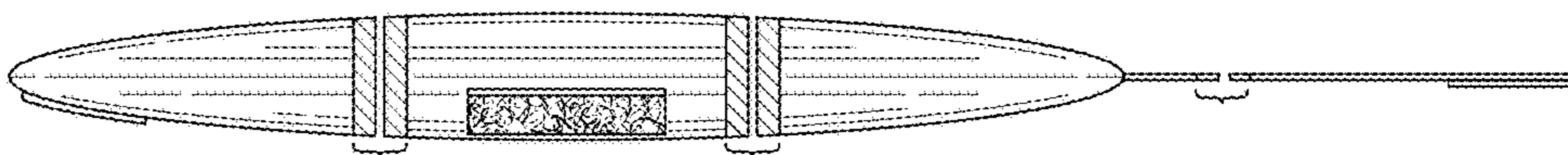


FIG. 3

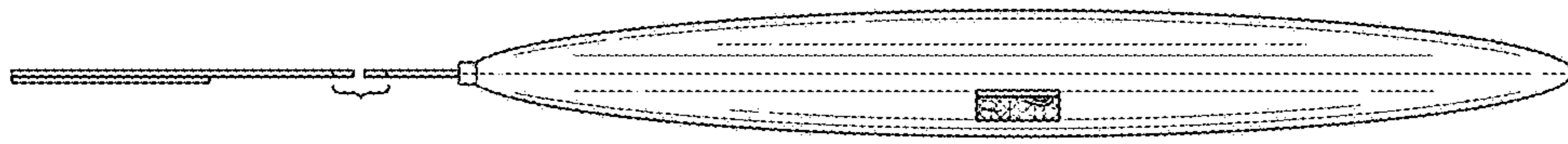


FIG. 4

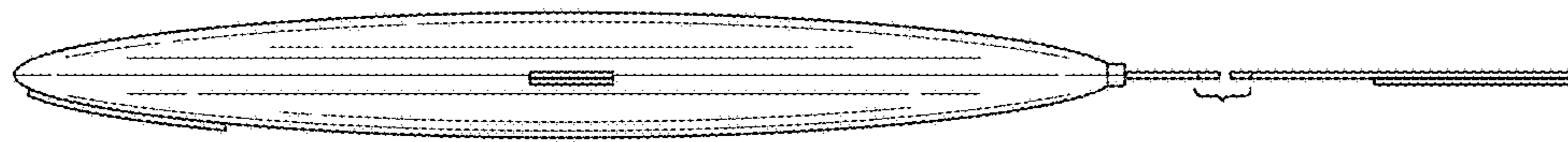


FIG. 5

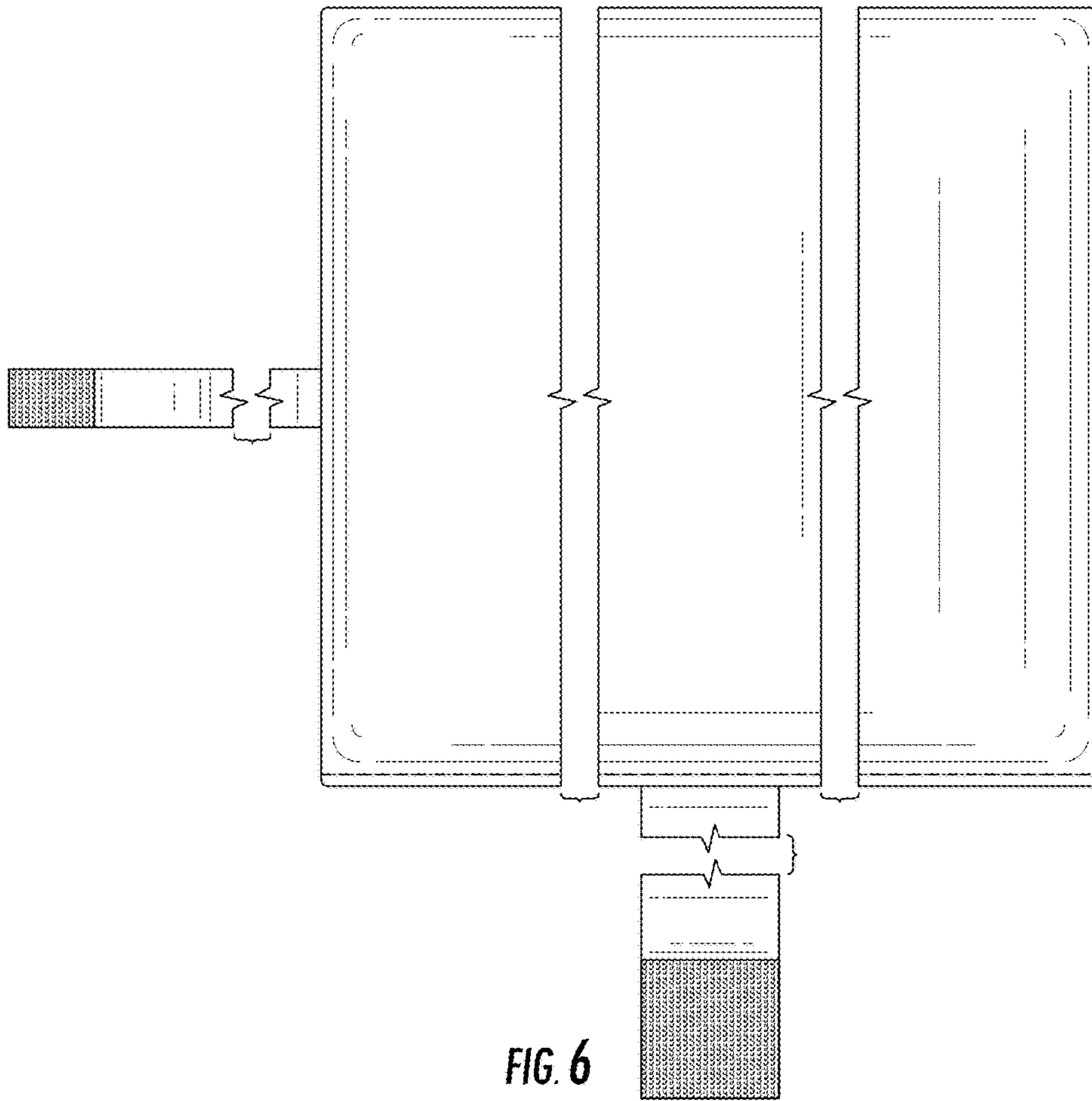
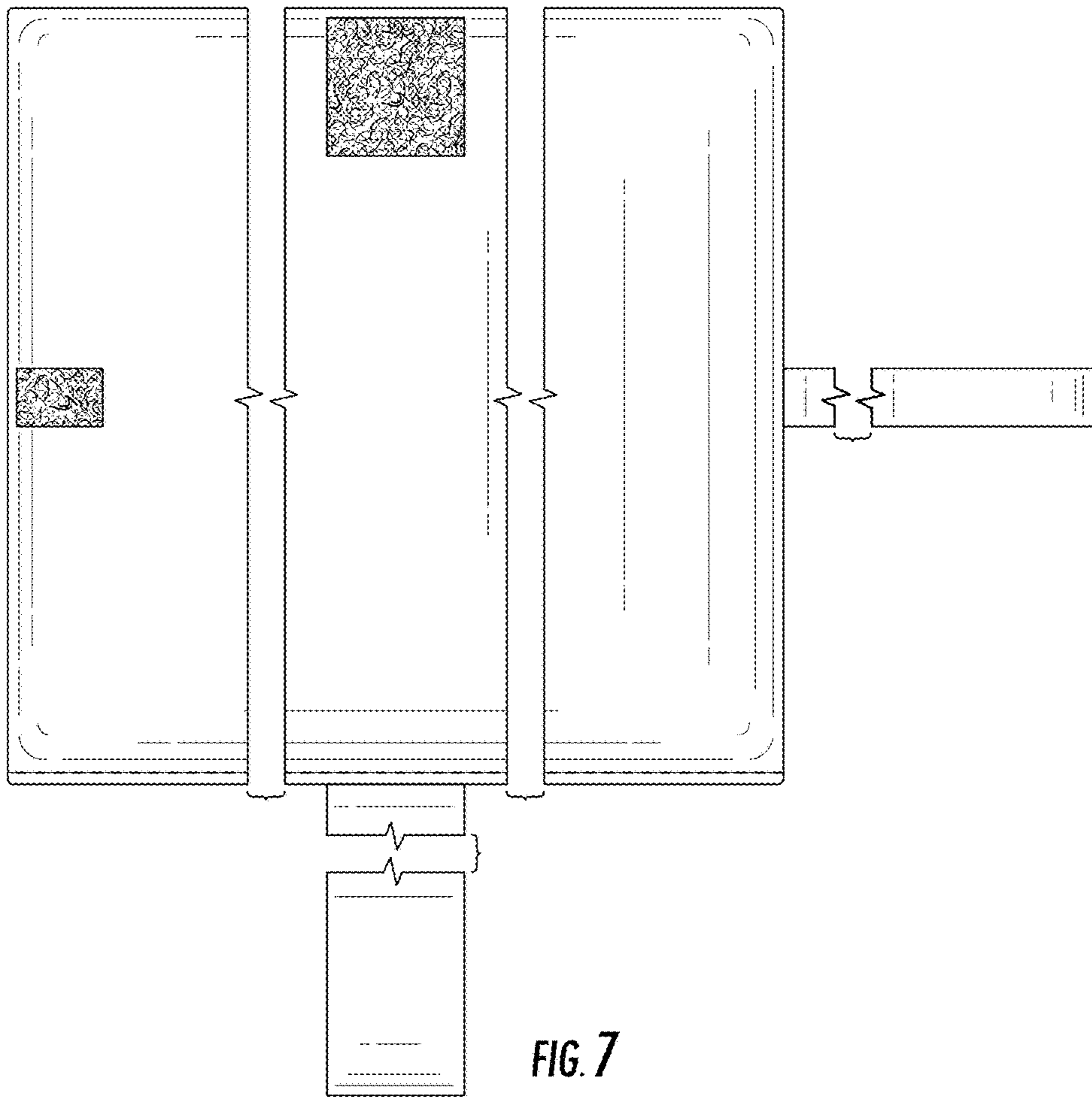


FIG. 6



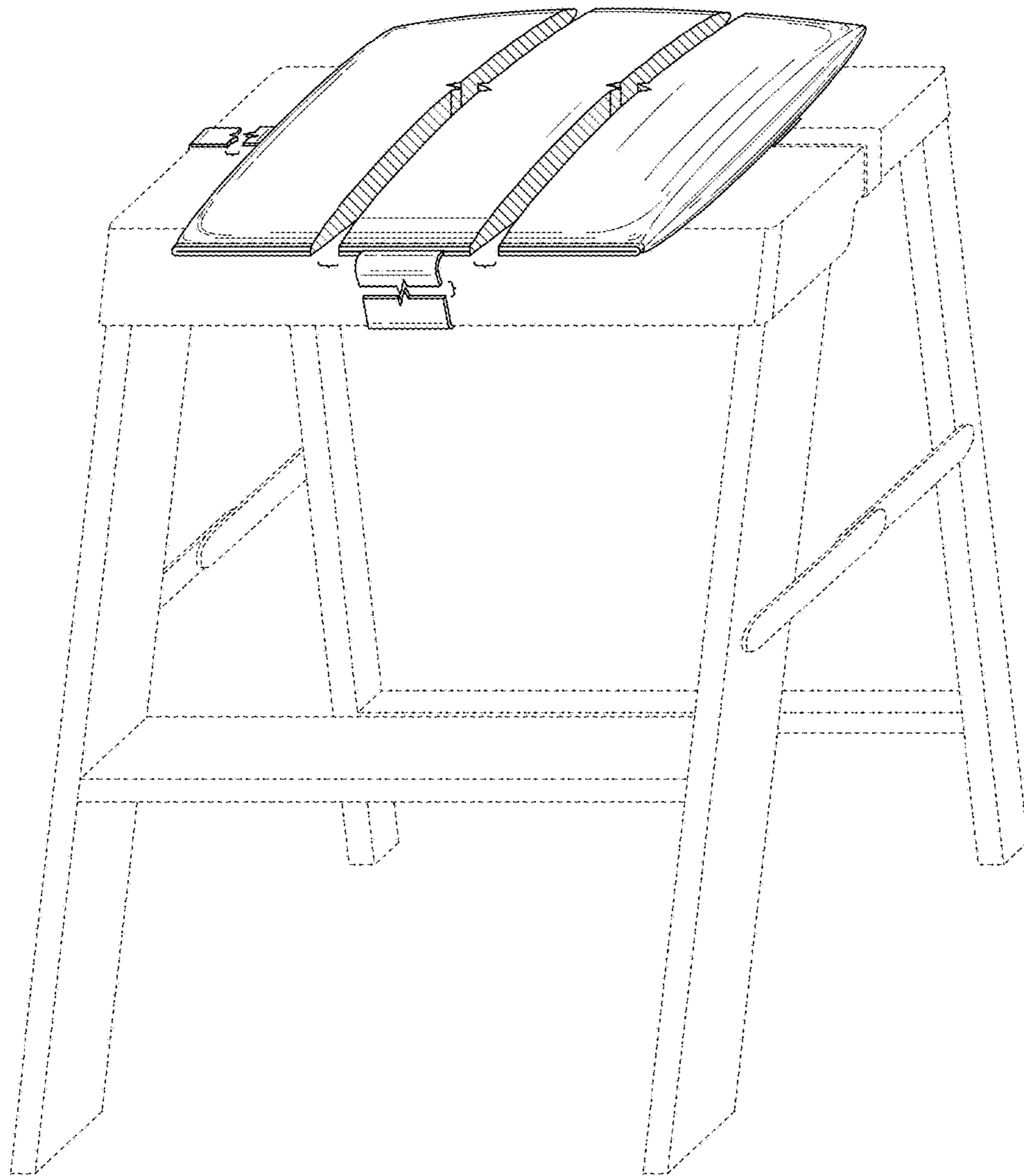


FIG. 8