



US00D845031S

(12) **United States Design Patent** (10) **Patent No.:** **US D845,031 S**
Huang (45) **Date of Patent:** **** Apr. 9, 2019**

(54) **NON-SLIP MAT**
(71) Applicant: **Shenzhen Komin Sporting Goods Co., Ltd.**, Guangdong (CN)
(72) Inventor: **Youwei Huang**, Guangdong (CN)
(**) Term: **15 Years**
(21) Appl. No.: **29/657,221**
(22) Filed: **Jul. 20, 2018**
(51) **LOC (11) Cl.** **06-04**
(52) **U.S. Cl.**
USPC **D6/586**; D12/203
(58) **Field of Classification Search**
USPC D3/318; D21/349; D25/109, 138;
D29/108; D6/586; D12/203
See application file for complete search history.

D825,082 S * 8/2018 Darrow D25/160
2012/0090812 A1* 4/2012 King E04F 13/0812
165/53
2015/0190981 A1* 7/2015 Levit B32B 3/12
428/116

OTHER PUBLICATIONS

Large Hexagon Pattern EVA Foam Sheets for Cosplay Armor , Props & Accessories. Laser Engraved Etched Maille Designs 1/2" Thick Floor Mat: Published Oct. 23, 2017[online], site visited Nov. 16, 2018. Available from Internet URL:<https://www.etsy.com/listing/562904348/large-hexagon-pattern-eva-foam-sheets>.*

* cited by examiner

Primary Examiner — Garth Rademaker
Assistant Examiner — Melvin L Davis
(74) *Attorney, Agent, or Firm* — Prakash Nama; Global IP Services, PLLC

(57) **CLAIM**

The ornamental design for a non-slip mat, as shown.

DESCRIPTION

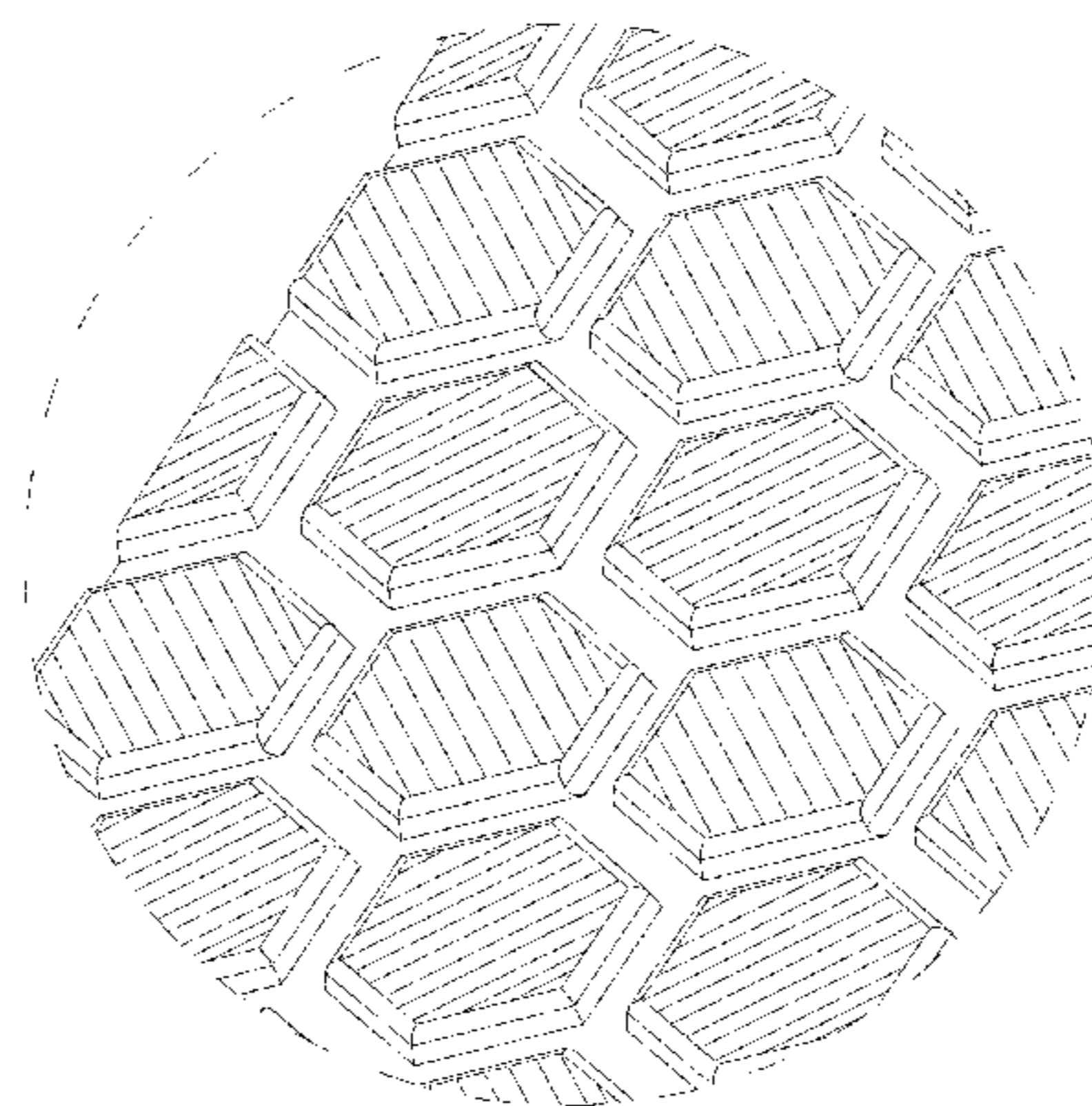
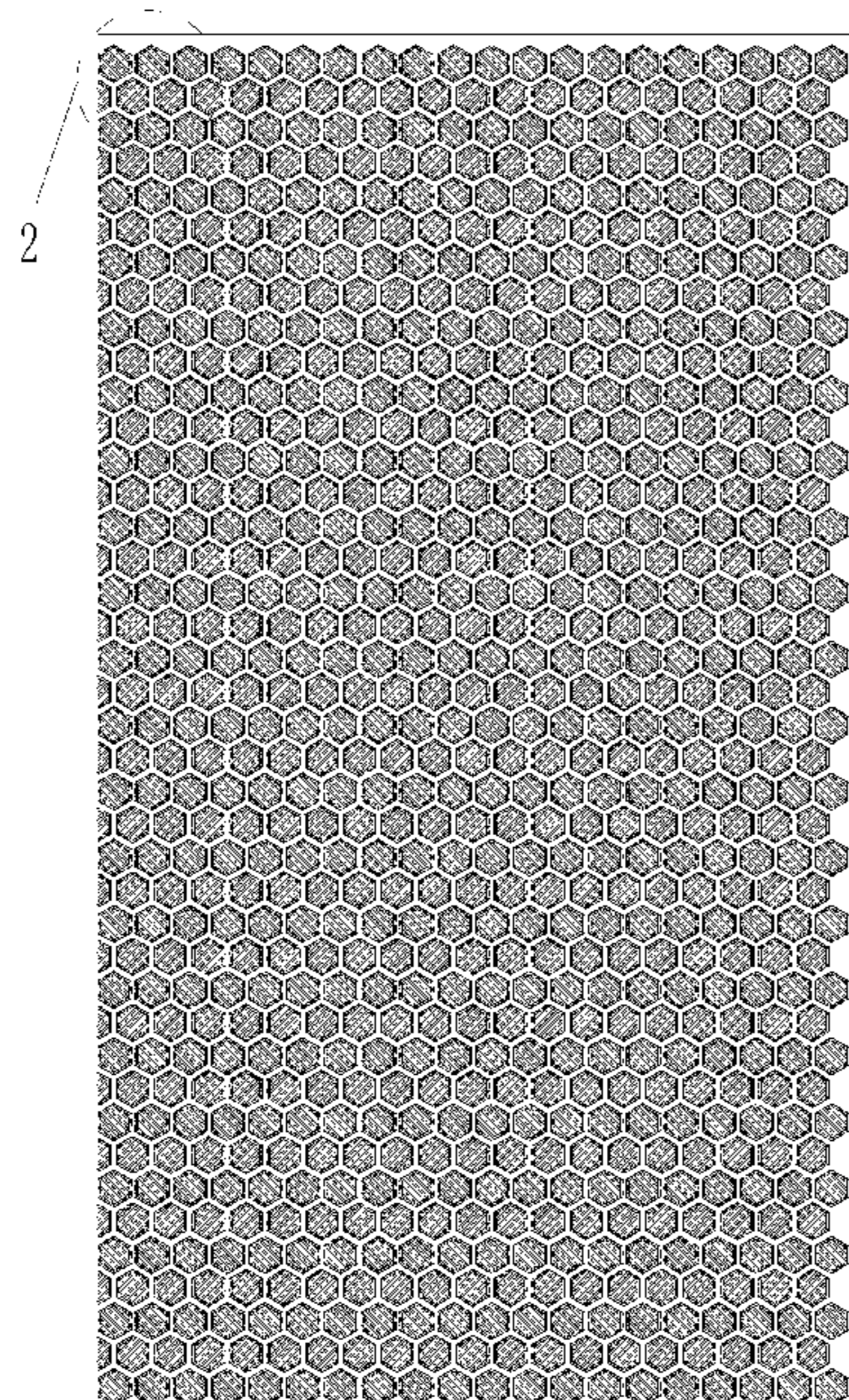
FIG. 1 is a front elevational view of a non-slip mat showing my new design;
FIG. 2 is an enlarged view of portion 2 shown in FIG. 1;
FIG. 3 is a rear elevational view thereof;
FIG. 4 is a left side view thereof;
FIG. 5 is a right side view thereof;
FIG. 6 is an enlarged view of portion 6 shown in FIG. 5;
FIG. 7 is a top plan view thereof;
FIG. 8 is an enlarged view of portion 8 shown in FIG. 7;
FIG. 9 is a bottom plan view thereof;
FIG. 10 is a perspective view thereof; and,
FIG. 11 is an enlarged view of portion 11 shown in FIG. 10.

1 Claim, 8 Drawing Sheets

(56) **References Cited**

U.S. PATENT DOCUMENTS

6,070,871 A * 6/2000 Wilson A63F 3/00176
273/242
D489,162 S * 5/2004 Dings-Plooij D1/121
D509,604 S * 9/2005 Zarifian D25/158
8,178,186 B2 * 5/2012 Bazbaz B32B 3/30
428/156
D722,650 S * 2/2015 Guyer D21/348
D727,820 S * 4/2015 Wegener D12/203
D729,550 S * 5/2015 Williams D6/675
9,091,067 B2 * 7/2015 Brewster B32B 3/12
D760,844 S * 7/2016 Phelan D21/334
D776,036 S * 1/2017 Lu D12/203
D814,053 S * 3/2018 Darrow D25/109
D816,492 S * 5/2018 Reinhart D9/435



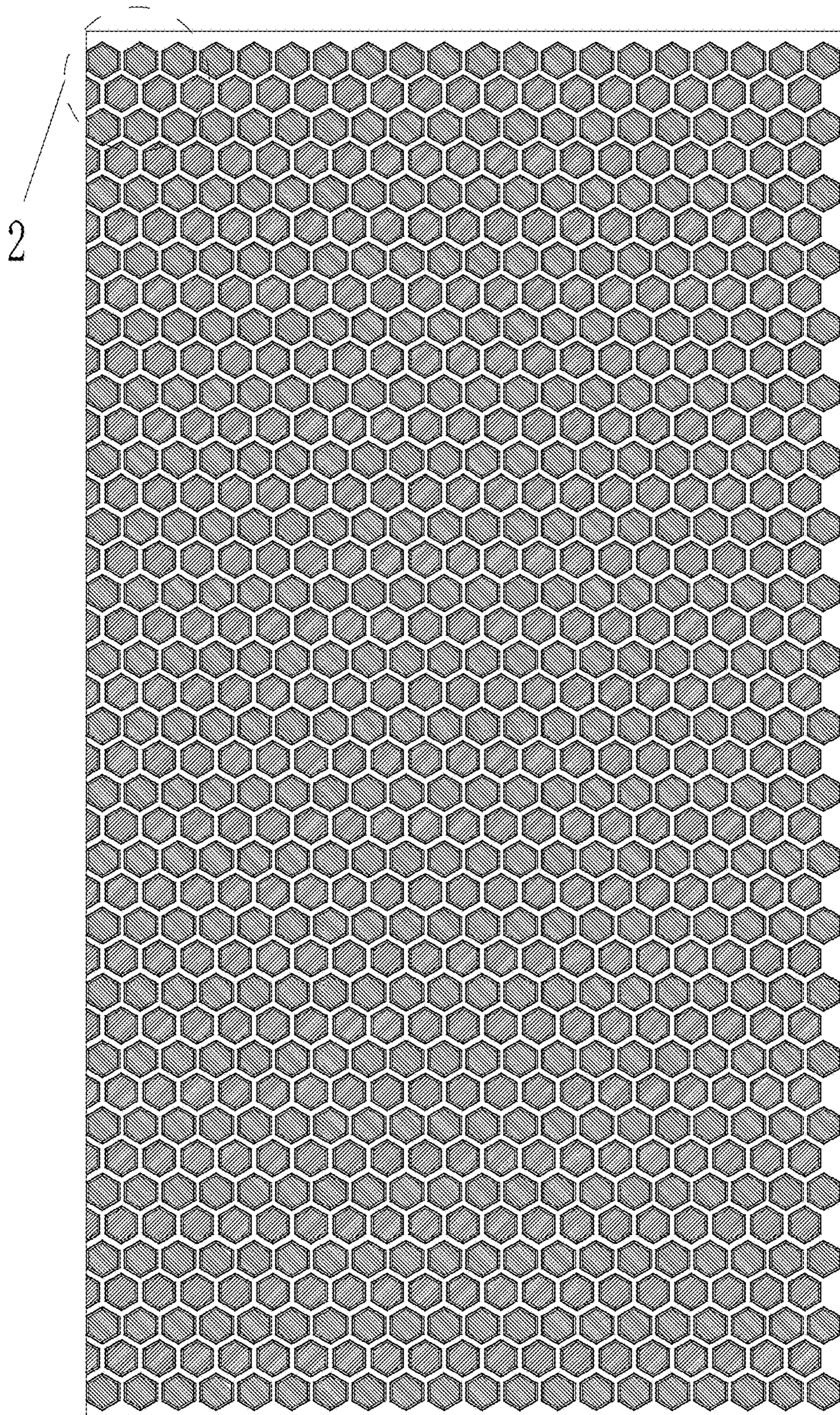


Fig. 1

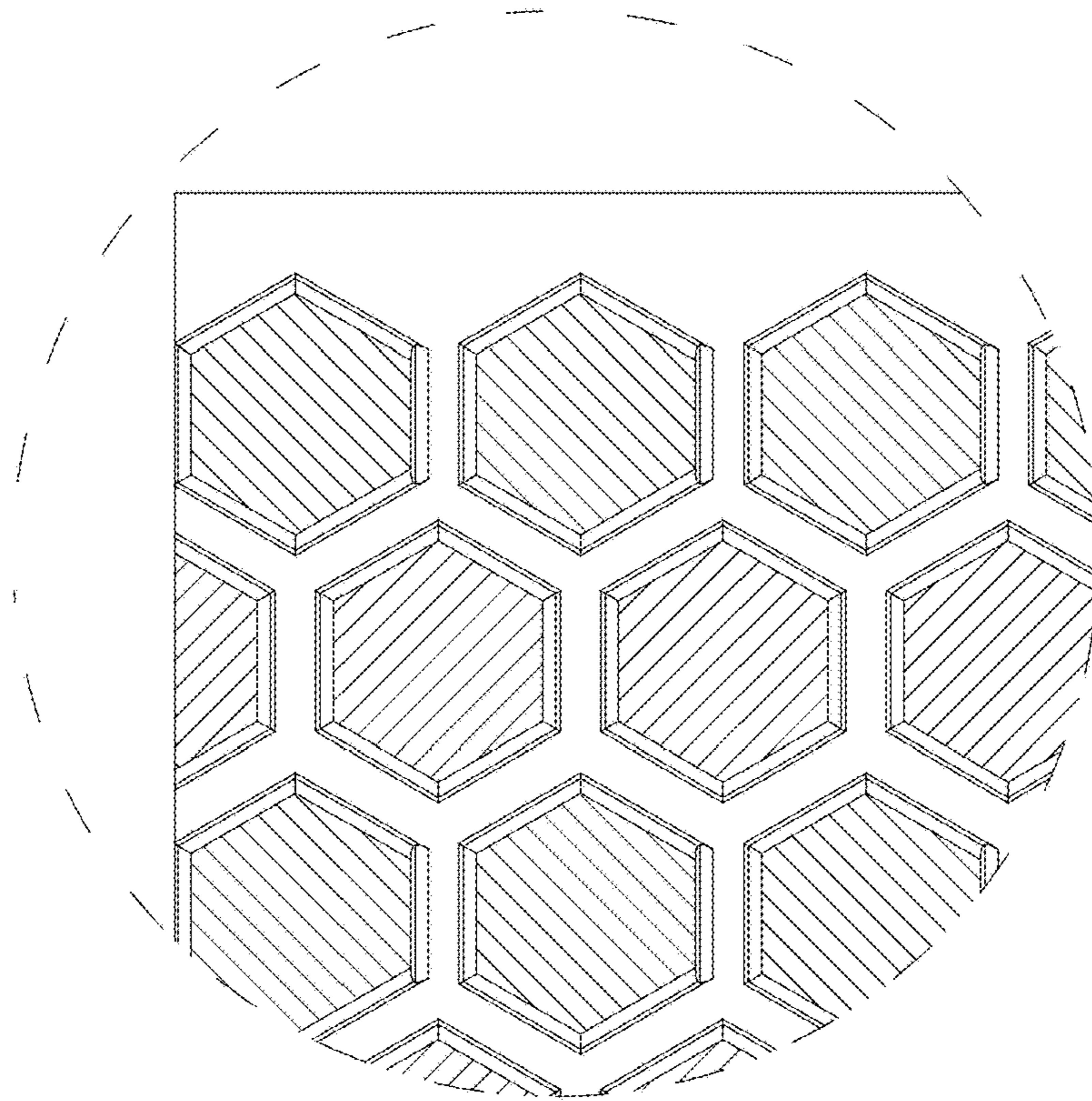


Fig. 2

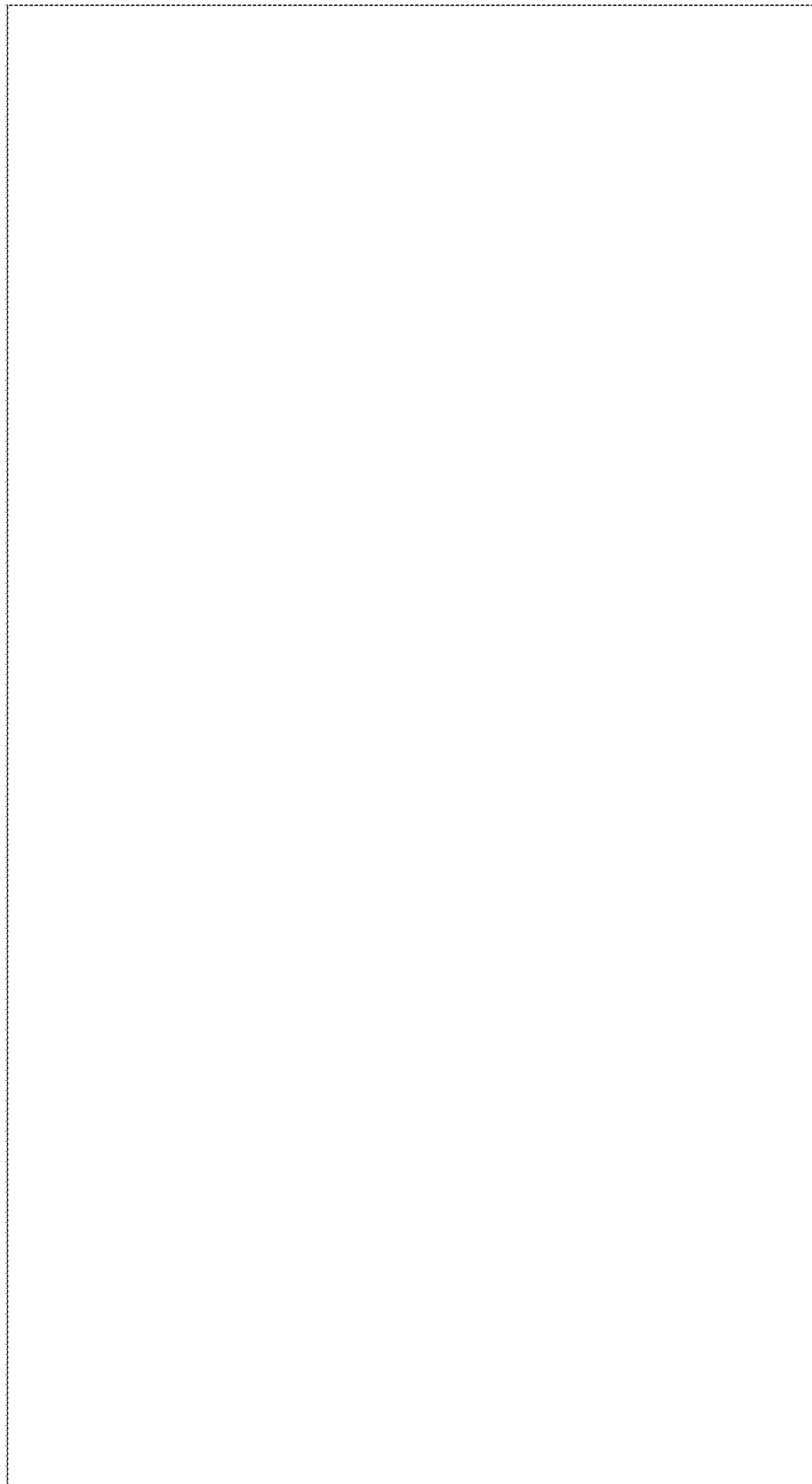


Fig. 3

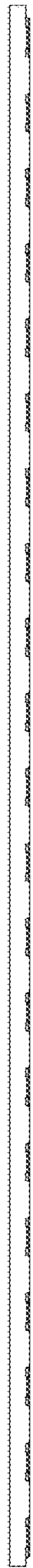


Fig. 4

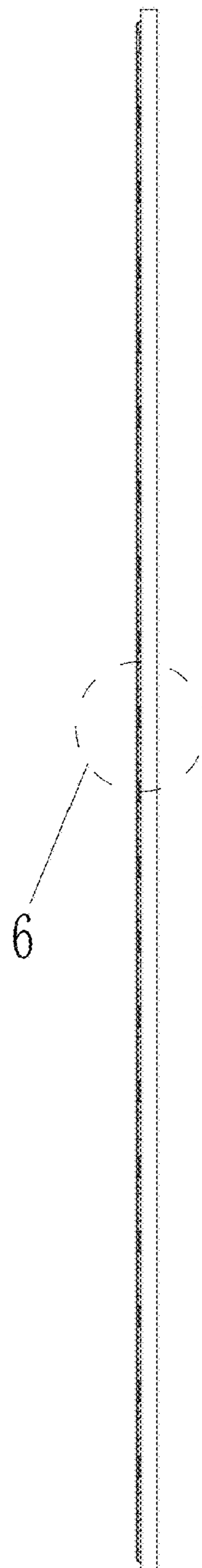


Fig. 5

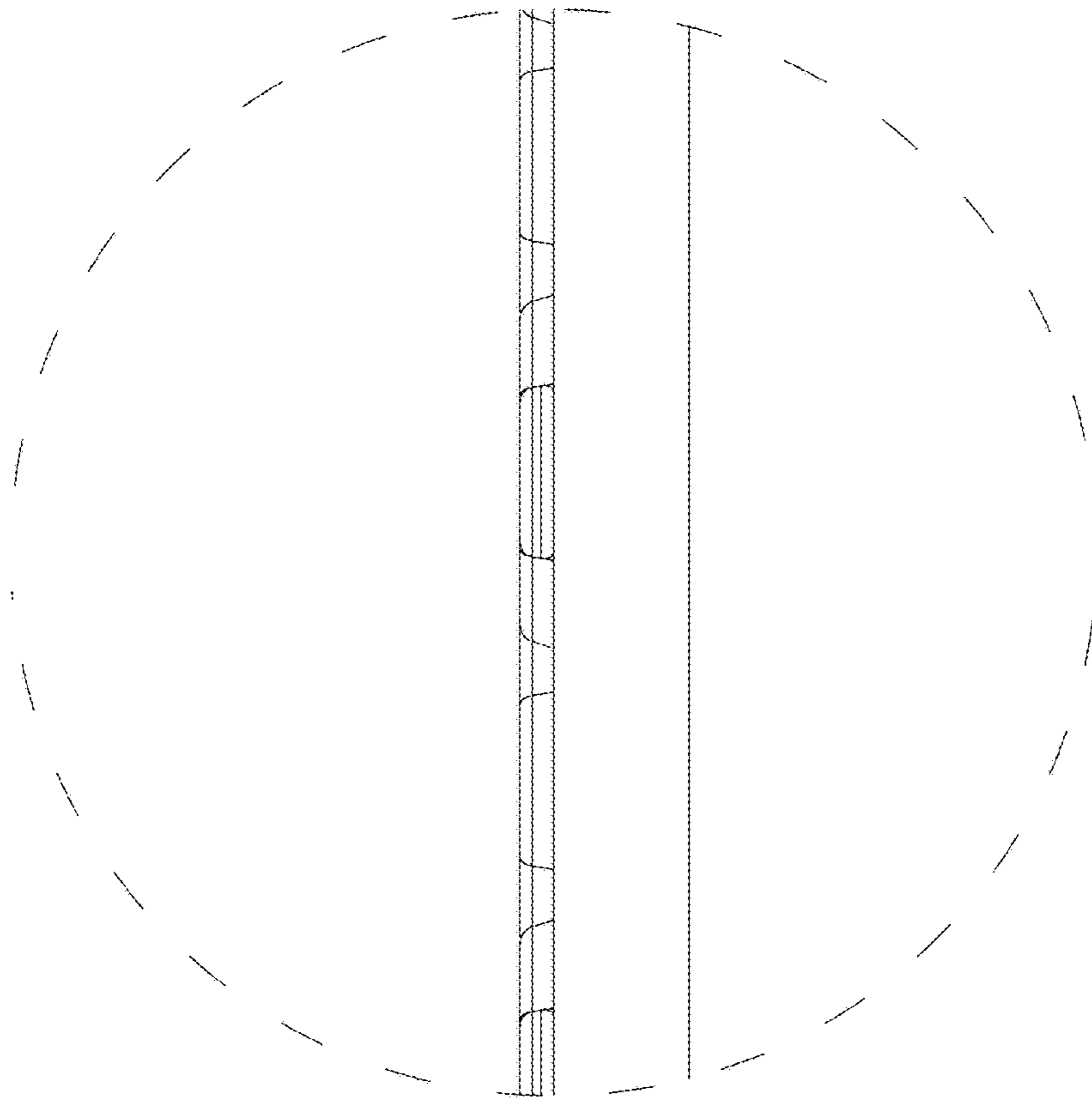


Fig. 6

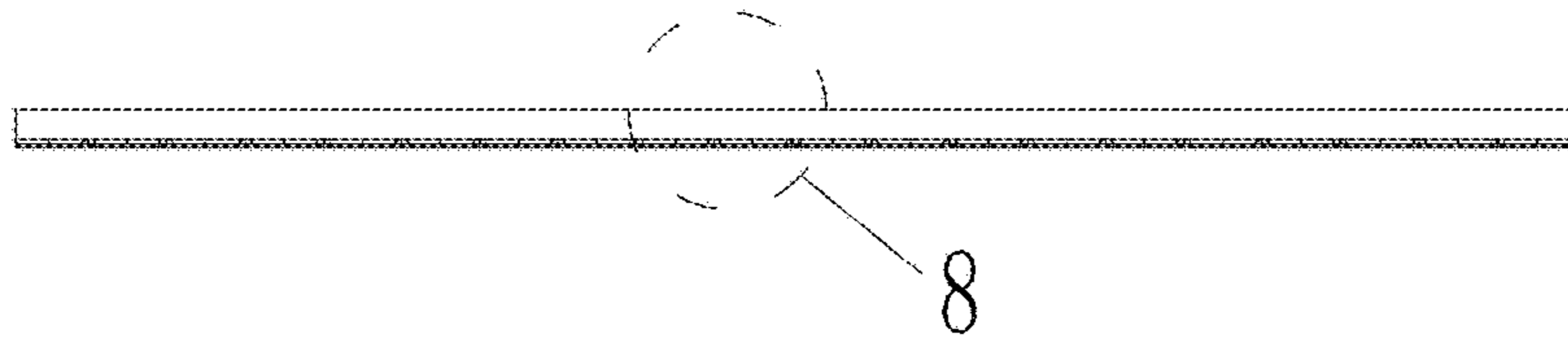


Fig. 7

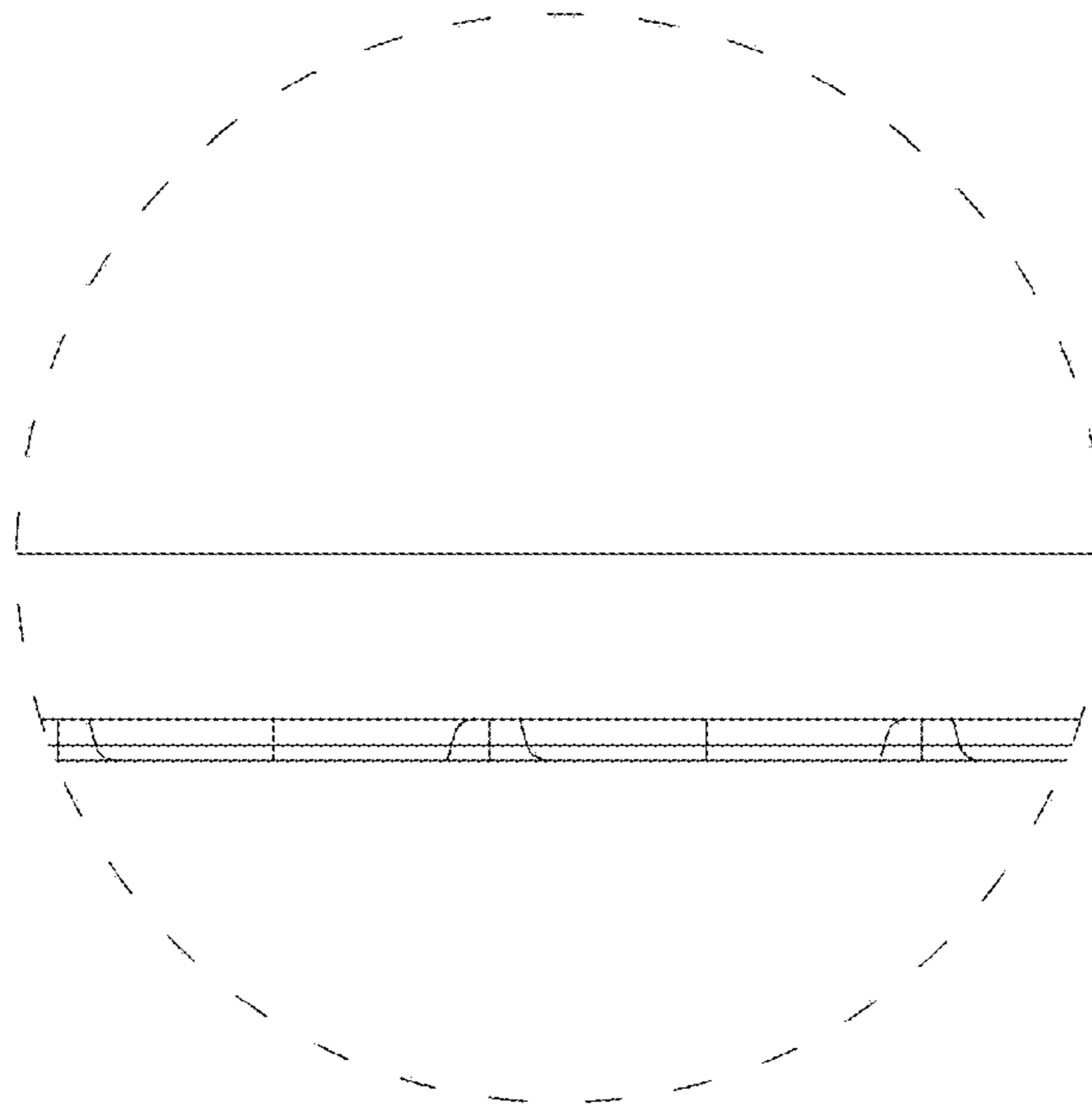


Fig. 8

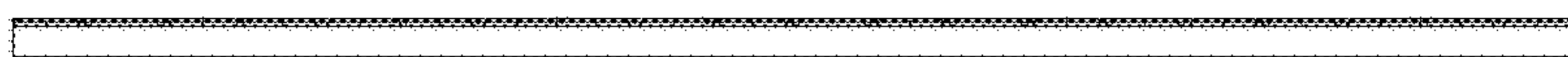


Fig. 9

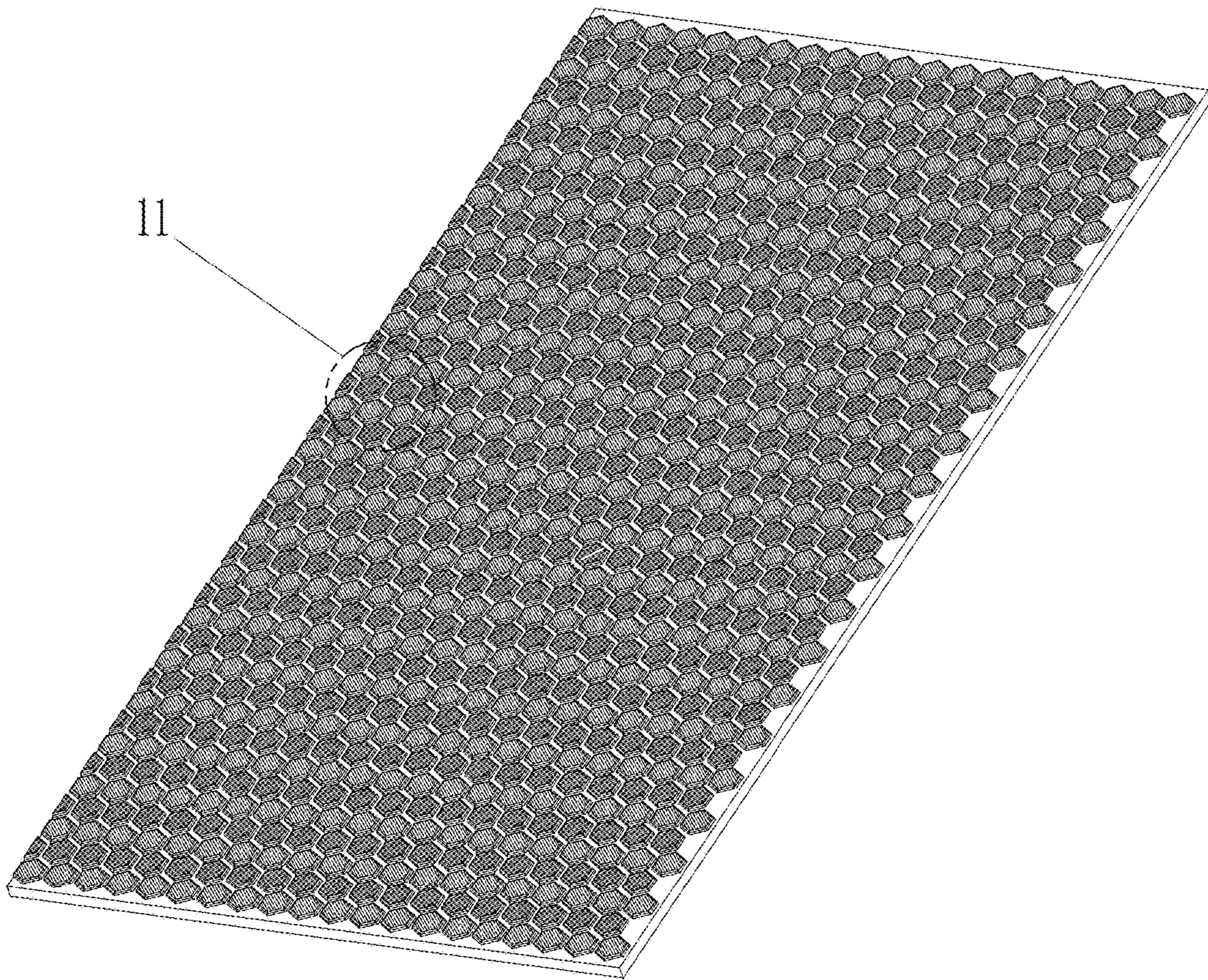


Fig. 10

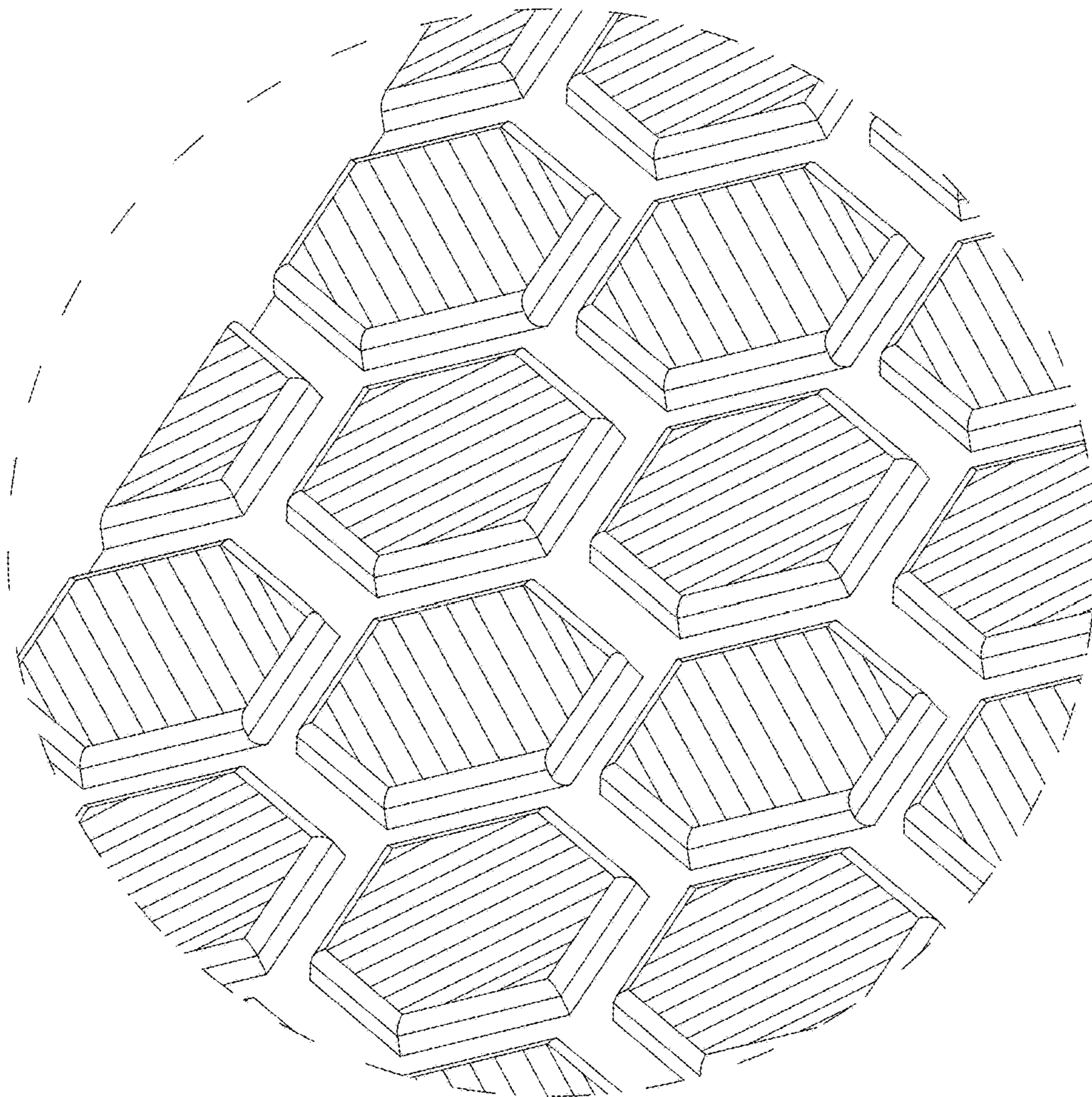


Fig. 11