



US00D845030S

(12) **United States Design Patent** (10) **Patent No.:** **US D845,030 S**
Clymer et al. (45) **Date of Patent:** **** Apr. 9, 2019**

(54) **ROLLER SHADE**

(71) Applicant: **Lutron Electronics Co., Inc.**,
Coopersburg, PA (US)
(72) Inventors: **Erica L. Clymer**, Northampton, PA
(US); **Laura Marie Gabriel**,
Harleysville, PA (US); **David A. Kirby**,
Zionsville, PA (US); **Justin J. Mier**,
Allentown, PA (US)
(73) Assignee: **LUTRON ELECTRONICS CO.,**
INC., Coopersburg, PA (US)

(**) Term: **15 Years**

(21) Appl. No.: **29/641,179**

(22) Filed: **Mar. 20, 2018**

Related U.S. Application Data

(62) Division of application No. 29/590,132, filed on Jan. 6, 2017, now Pat. No. Des. 814,213, which is a division of application No. 29/545,762, filed on Nov. 16, 2015, now Pat. No. Des. 780,481, which is a division of application No. 29/452,356, filed on Apr. 15, 2013, now Pat. No. Des. 747,896.

(51) **LOC (11) Cl.** **06-10**

(52) **U.S. Cl.**
USPC **D6/580**

(58) **Field of Classification Search**
USPC D6/575, 576, 577, 578, 579, 580, 581;
D8/349, 352, 353, 369, 376
CPC E06B 3/30; E06B 9/00; E06B 9/02; E06B
9/24; E06B 9/262; A47H 1/00; A47H
1/02; A47H 21/00; A47H 23/00; A47H
23/02; A47H 23/04; A47H 2001/0205;
A47H 2023/025

See application file for complete search history.

(56) **References Cited**

U.S. PATENT DOCUMENTS

1,509,644 A 9/1924 Forse, Jr.
1,557,576 A * 10/1925 Forse, Jr. E06B 9/50
160/122
1,558,858 A * 10/1925 Forse, Jr. E06B 9/50
160/122
1,571,760 A 2/1926 Dick
4,096,904 A 6/1978 Donofrio
4,249,714 A 2/1981 Boyle
D319,836 S 9/1991 Clouse et al.
D382,754 S 8/1997 Siegel et al.
6,941,966 B2 9/2005 Mori et al.

(Continued)

OTHER PUBLICATIONS

Lutron Electronics Co., Inc., "Lutron® Roller 100™/ Roller 150™
Wall Mount Chassis", Installation Guide, Dec. 2012, 2 pages.

(Continued)

Primary Examiner — Karen S Acker

Assistant Examiner — Wendy L Arminio

(74) *Attorney, Agent, or Firm* — Condo Roccia Koptiw
LLP

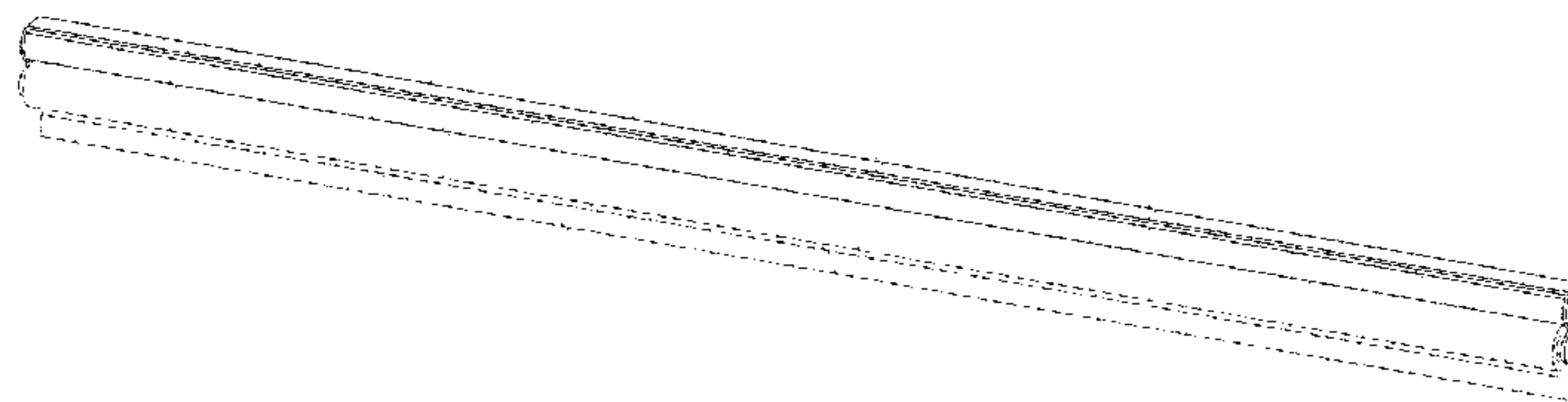
(57) **CLAIM**

The ornamental design for a roller shade, as shown and described.

DESCRIPTION

FIG. 1 is a perspective view of a roller shade according to our new design.
FIG. 2 is a front view thereof.
FIG. 3 is a left side view thereof.
FIG. 4 is a right side view thereof.
FIG. 5 is a top view thereof; and,
FIG. 6 is a bottom view thereof.
The portions of the drawings appearing in broken lines depict environmental subject matter that does not form a part of the claimed design.

1 Claim, 4 Drawing Sheets



(56)

References Cited

U.S. PATENT DOCUMENTS

6,941,996 B2 9/2005 Ward et al.
 7,051,782 B2 5/2006 Nichols, Jr. et al.
 7,163,044 B2 1/2007 Kirby
 D557,115 S 12/2007 Zakowski
 D557,116 S 12/2007 Zakowski
 D588,441 S 3/2009 Clarke
 D595,122 S 6/2009 Clarke
 7,802,609 B2 9/2010 Kirby
 D632,118 S 2/2011 Clarke
 8,267,144 B2 9/2012 Hsu et al.
 D680,357 S 4/2013 Wills et al.
 D706,543 S 6/2014 Stein
 8,857,495 B2 10/2014 Marocco
 D722,436 S * 2/2015 Stein D20/43
 9,045,939 B2 6/2015 Blair et al.
 D735,632 S 8/2015 Beidler et al.
 D740,589 S 10/2015 Ng
 D753,933 S 4/2016 Ng
 9,447,636 B2 9/2016 Blair et al.
 D775,939 S * 1/2017 Ng D8/380
 9,605,478 B2 * 3/2017 Adams E06B 9/32
 9,765,566 B1 * 9/2017 Chen E06B 9/42
 10,017,984 B2 * 7/2018 Marzilli E06B 9/72
 2009/0223641 A1 9/2009 Cheng
 2009/0283226 A1 11/2009 Cheng
 2010/0038042 A1 2/2010 Criss
 2010/0122780 A1 5/2010 Cheng
 2010/0219306 A1 9/2010 Detmer et al.
 2010/0294438 A1 11/2010 Kirby et al.

2012/0090795 A1 4/2012 Kirby
 2012/0152471 A1 6/2012 Zernach et al.
 2012/0255689 A1 * 10/2012 Blair E06B 9/32
 160/331
 2012/0261078 A1 10/2012 Adams et al.
 2013/0037225 A1 2/2013 Huang
 2013/0068904 A1 3/2013 Wills et al.
 2013/0153162 A1 * 6/2013 Blair E06B 9/68
 160/310
 2014/0305602 A1 10/2014 Kirby et al.
 2015/0047792 A1 2/2015 Lukosiunas
 2015/0075732 A1 3/2015 Kirby et al.
 2015/0226001 A1 8/2015 Adams et al.
 2015/0247362 A1 9/2015 Kirby
 2016/0076302 A1 3/2016 Marocco
 2016/0123076 A1 5/2016 Kirby
 2016/0130863 A1 5/2016 Cheng
 2016/0326801 A1 11/2016 Blair et al.
 2016/0369558 A1 12/2016 Kirby
 2017/0009519 A1 1/2017 Marocco
 2017/0079459 A1 3/2017 Filko
 2017/0260806 A1 * 9/2017 Adams E06B 9/32
 2017/0350188 A1 * 12/2017 Huang E06B 9/60
 2018/0010384 A1 * 1/2018 Huang E06B 9/08
 2018/0171710 A1 * 6/2018 Kirby E06B 9/42

OTHER PUBLICATIONS

Lutron Electronics Co., Inc., "Lutron® Roller 64 Dual Mount Chassis", Installation Guide, Dec. 2012, 2 pages.

* cited by examiner

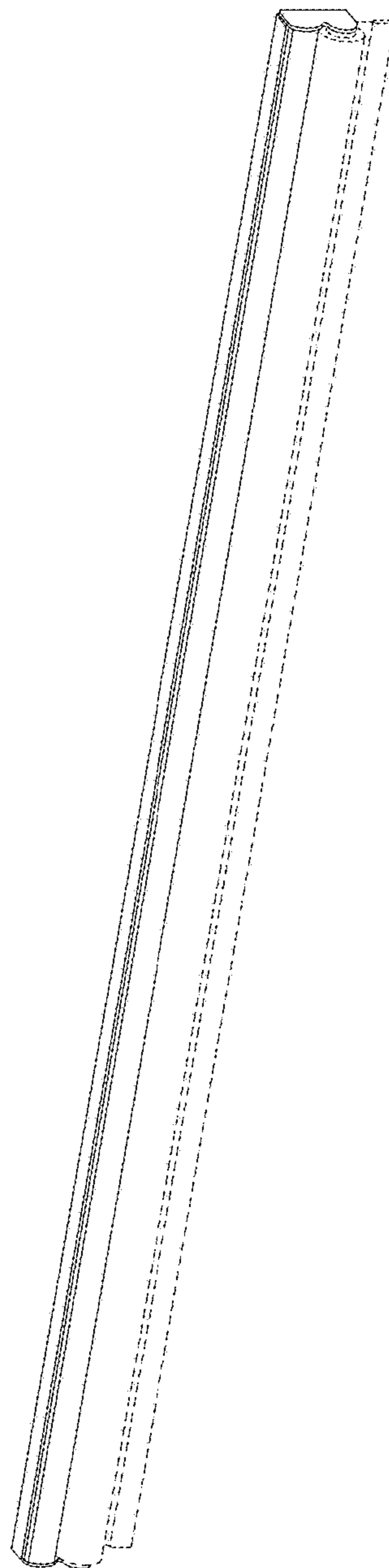


Fig. 1

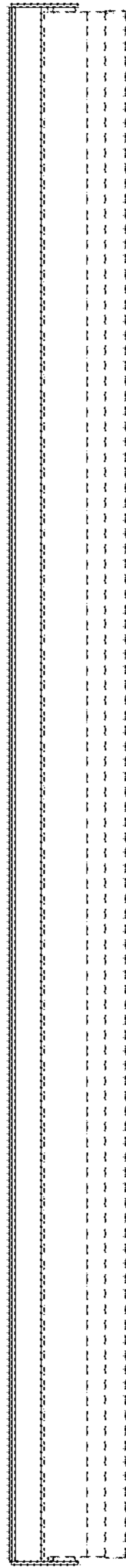


Fig. 2

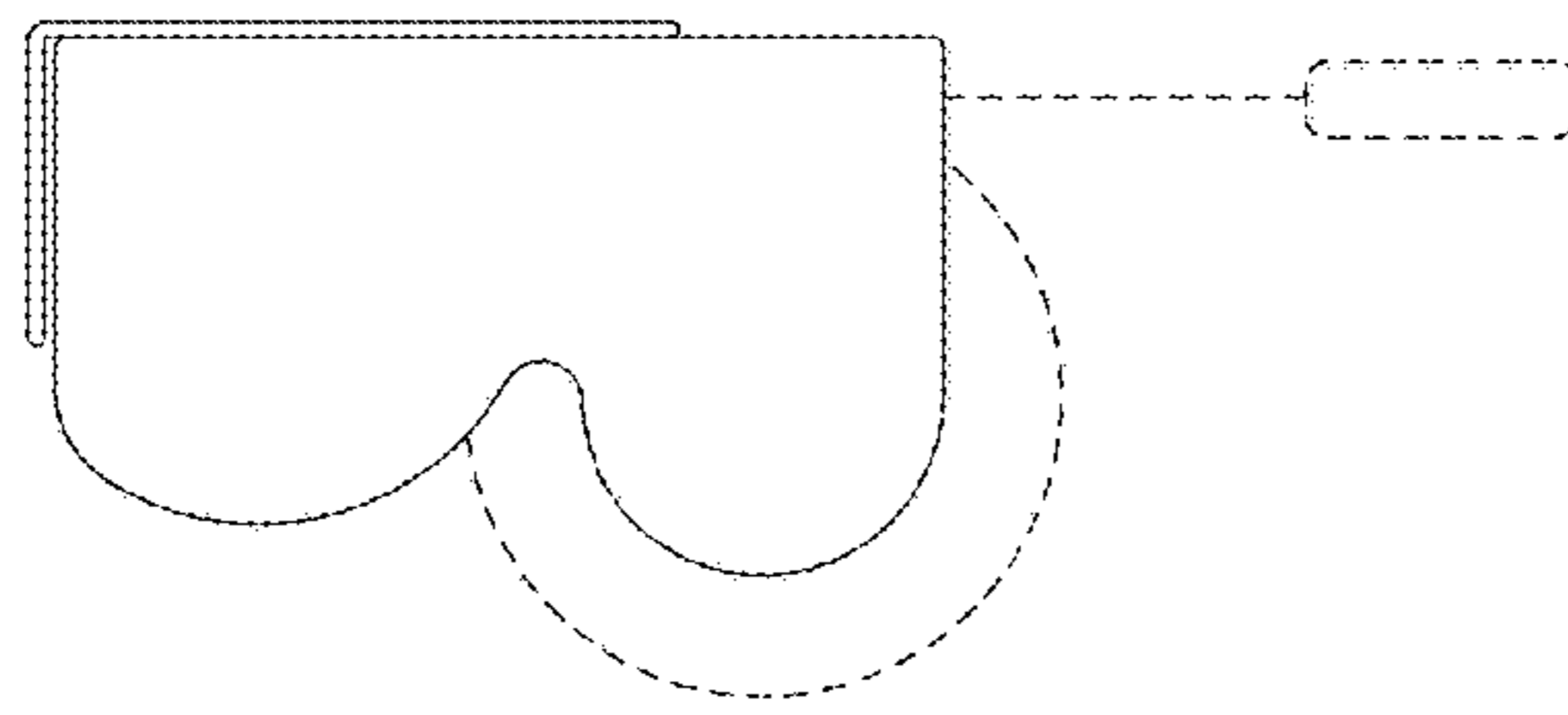


Fig. 4

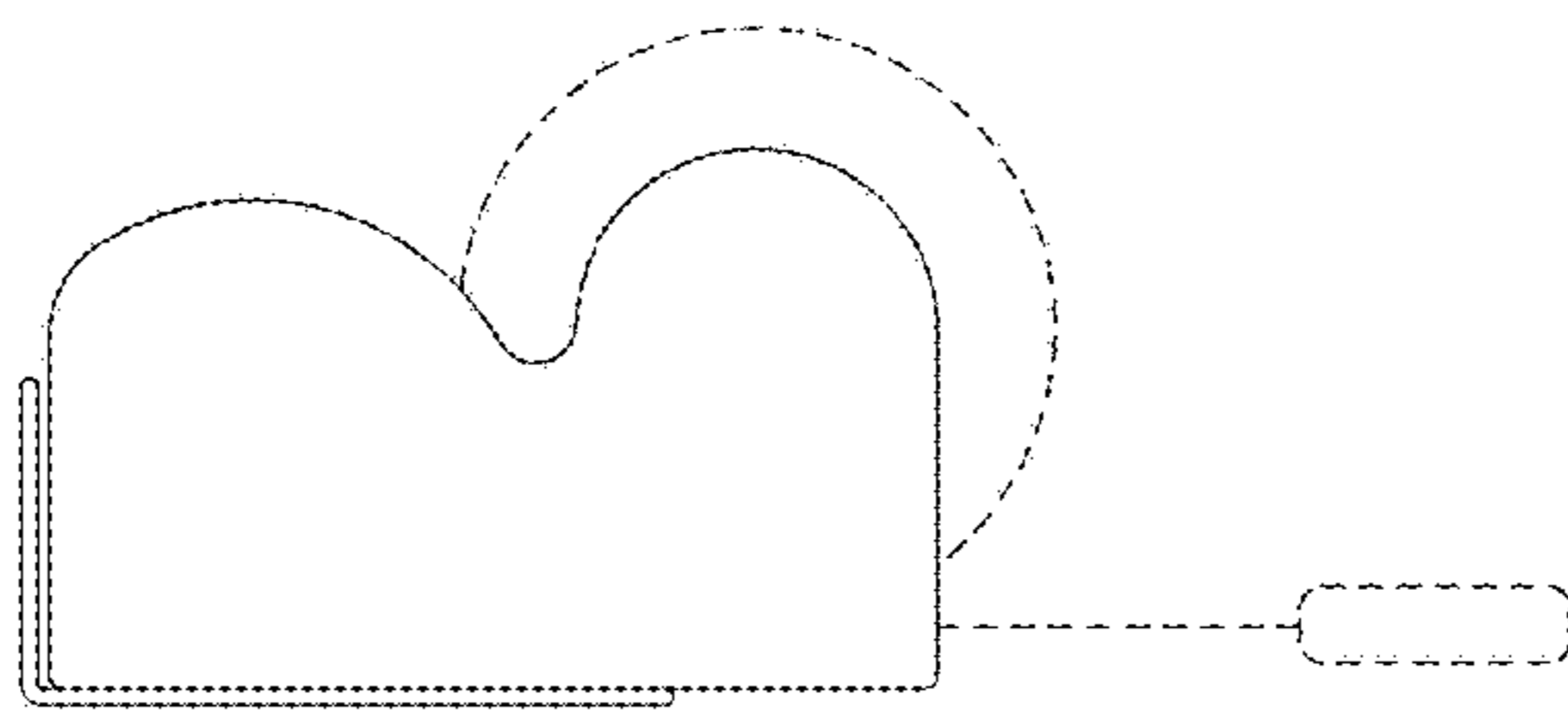


Fig. 3

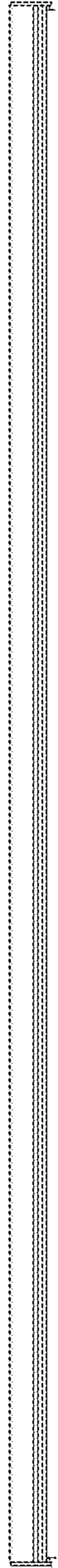


Fig. 5

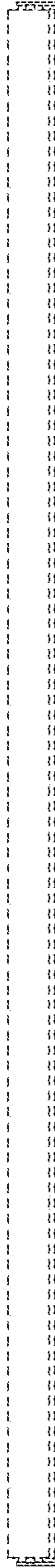


Fig. 6