



US00D845029S

(12) **United States Design Patent**  
**Belokin**

(10) **Patent No.:** **US D845,029 S**

(45) **Date of Patent:** **\*\* Apr. 9, 2019**

(54) **DISPLAY SHELF**

(71) Applicant: **Displays by Martin Paul, Inc.—Creative Center**, Denton, TX (US)

(72) Inventor: **Martin Belokin**, Denton, TX (US)

(73) Assignee: **Displays by Martin Paul, Inc.—Creative Center**, Denton, TX (US)

(\*\*) Term: **15 Years**

(21) Appl. No.: **29/590,606**

(22) Filed: **Jan. 11, 2017**

(51) **LOC (11) Cl.** ..... **06-04**

(52) **U.S. Cl.**  
USPC ..... **D6/569**

(58) **Field of Classification Search**  
USPC ..... D6/569, 552, 553, 567, 572, 574, 683.1; D7/590; D8/349; 211/13.1, 71.01, 74, 211/75, 86.01, 87.01, 88.01, 90.01, 126.1, 211/134  
CPC ..... A47F 5/0043; A47F 11/06; A47F 1/12; A47F 3/001; A47F 5/0018; A47F 7/28; A47F 5/103; A47F 7/283; G09F 3/204  
See application file for complete search history.

(56) **References Cited**

**U.S. PATENT DOCUMENTS**

D259,312 S \* 5/1981 Nordlund ..... D6/569  
D413,474 S \* 9/1999 Belokin ..... D6/574

D547,992 S \* 8/2007 Belokin ..... D6/574  
D591,088 S \* 4/2009 Belokin ..... D6/683.1  
2003/0209505 A1 \* 11/2003 Belokin ..... A47F 5/08  
211/75  
2006/0043036 A1 \* 3/2006 Robertson ..... A47B 73/008  
211/75

\* cited by examiner

*Primary Examiner* — Wan Laymon  
*Assistant Examiner* — Mark Booker

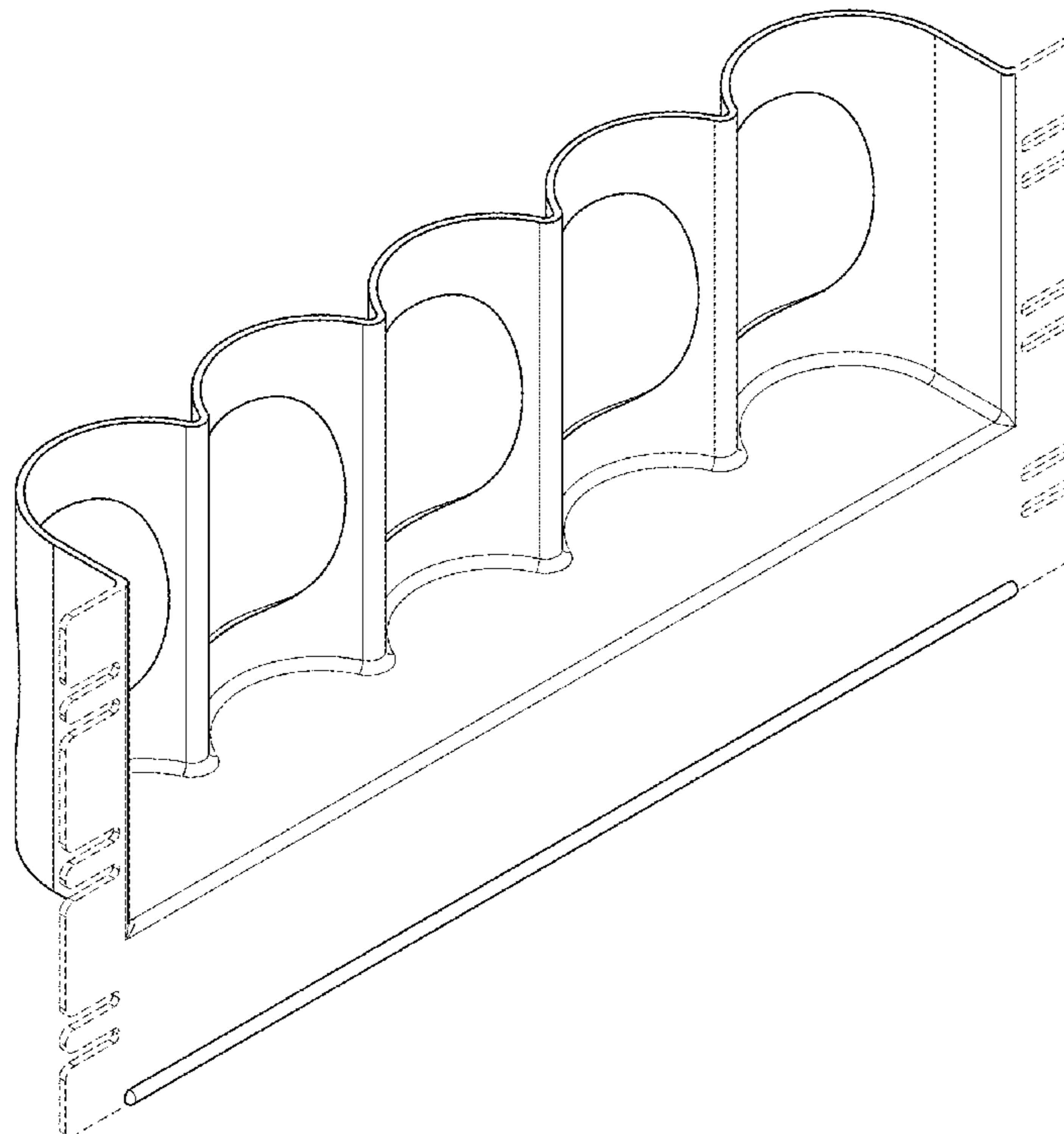
(57) **CLAIM**

The ornamental design for a display shelf, as shown and described.

**DESCRIPTION**

FIG. 1 is a front perspective view of the design according to an embodiment;  
FIG. 2 is a front elevation view of the design of FIG. 1;  
FIG. 3 is a rear elevation view of the design of FIG. 1;  
FIG. 4 is a left side view of the design of FIG. 1;  
FIG. 5 is a right side view of the design of FIG. 1;  
FIG. 6 is a top view of the design of FIG. 1; and,  
FIG. 7 is a bottom view of the design of FIG. 1.  
The solid lines shown in the drawings illustrate features of the article that form part of the claim. The broken lines shown in the drawings illustrate feature of the article that form no part of the claim.

**1 Claim, 5 Drawing Sheets**



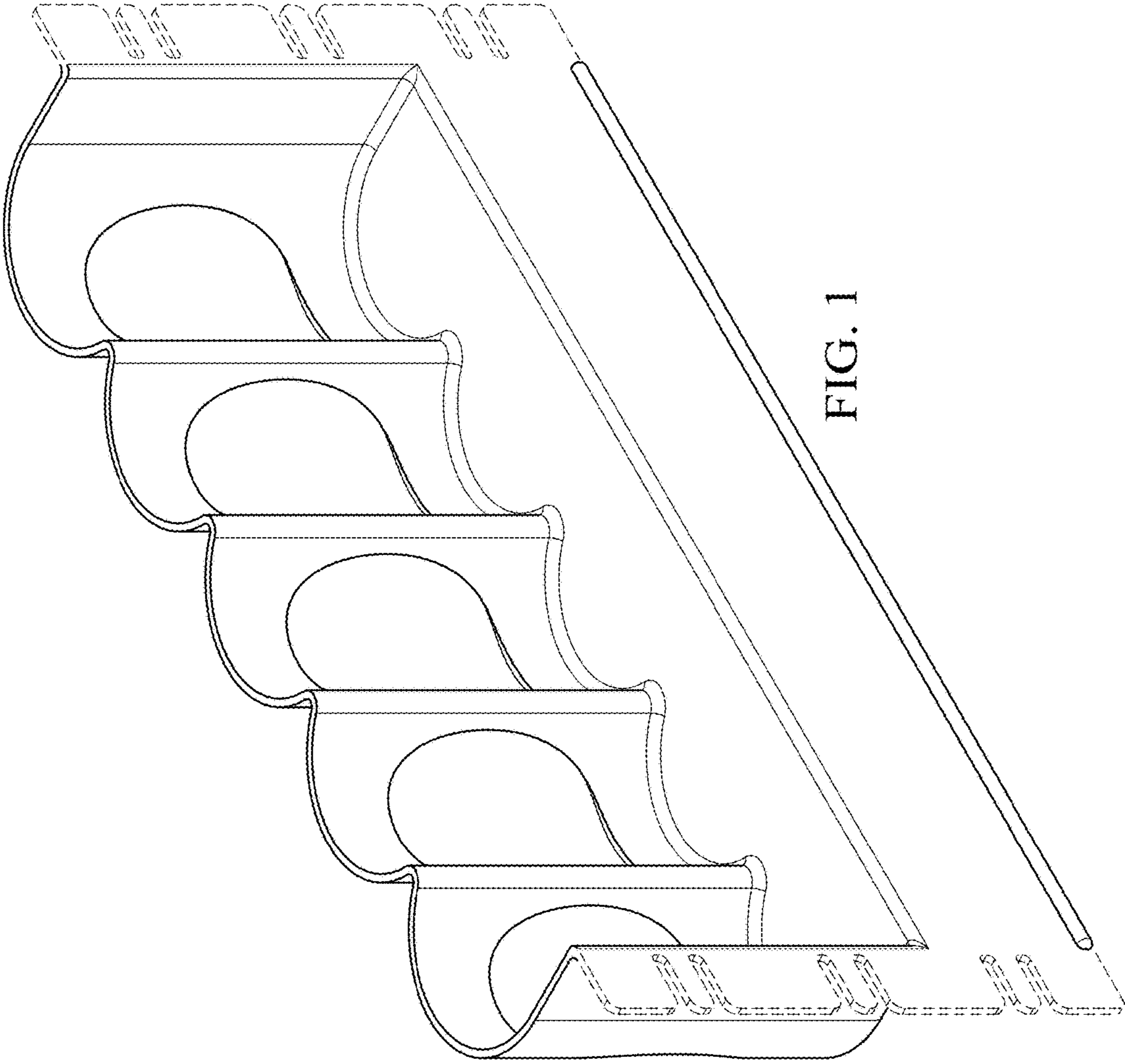


FIG. 1

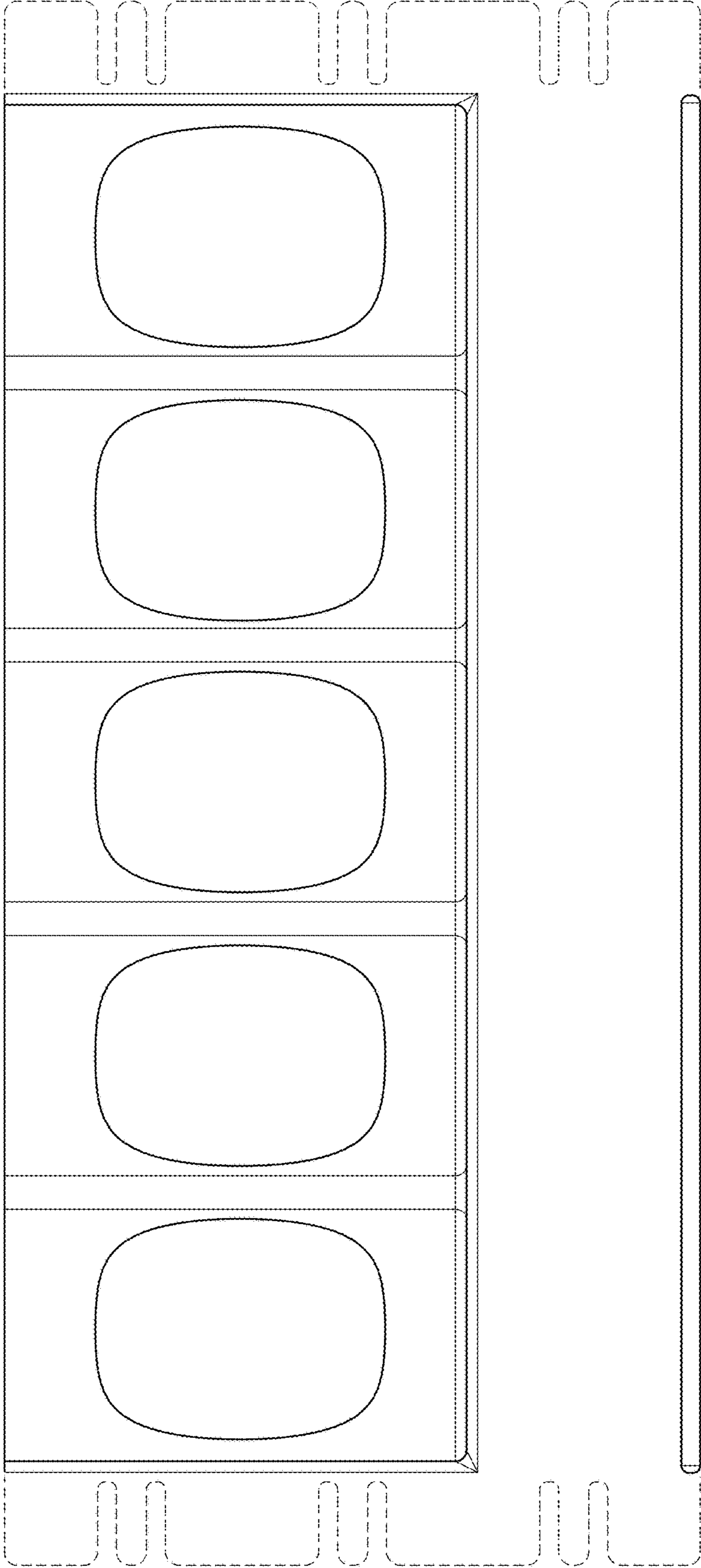


FIG. 2

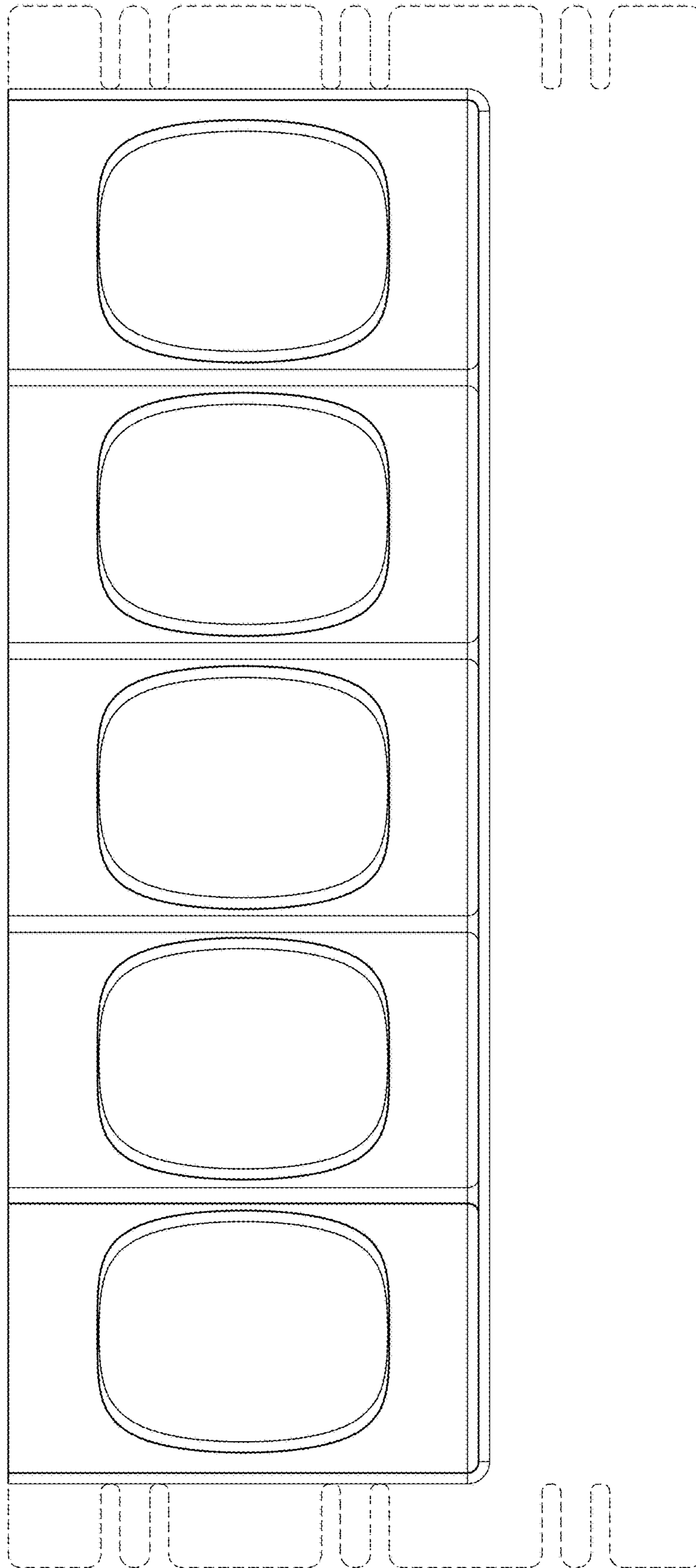


FIG. 3

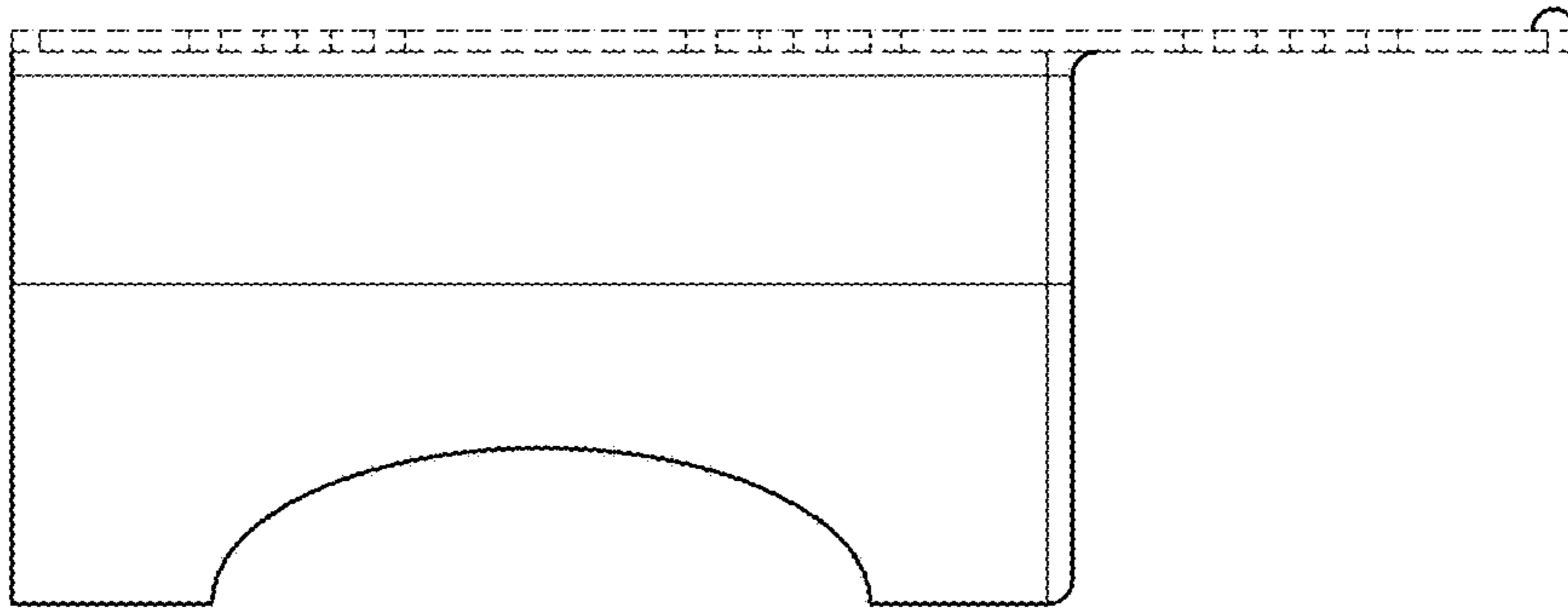


FIG. 5

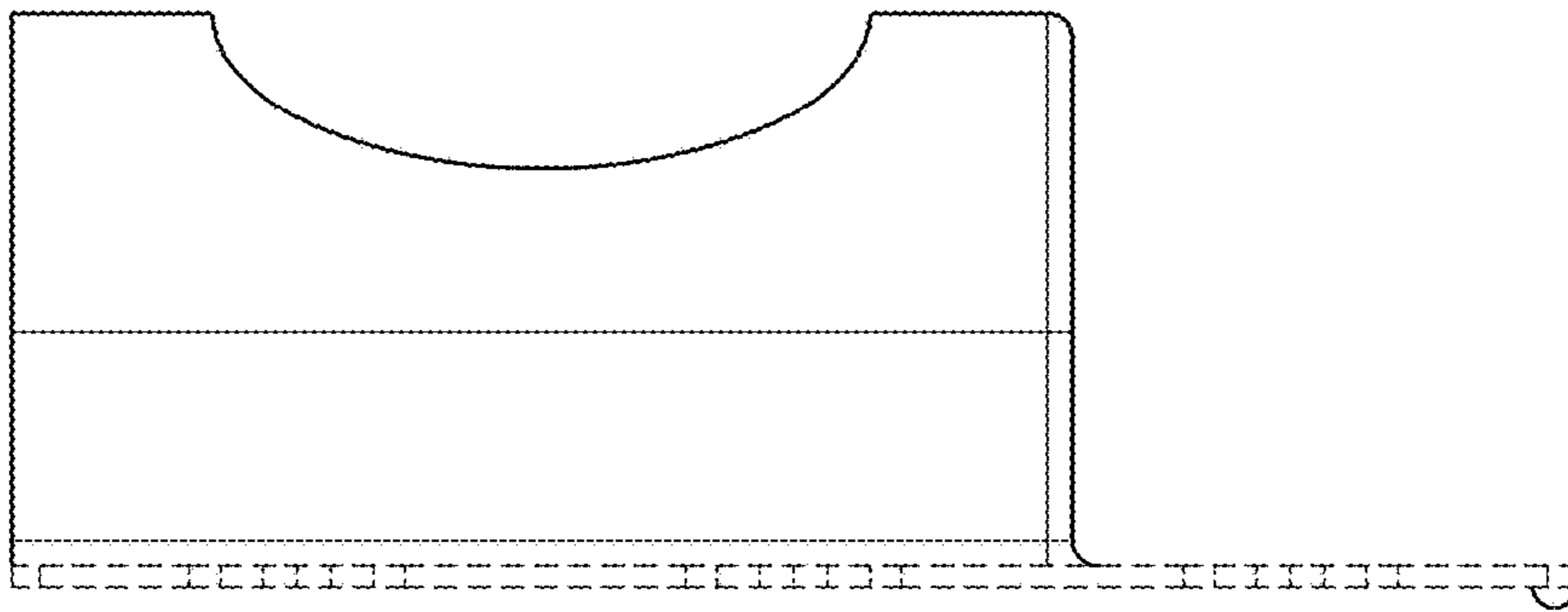


FIG. 4

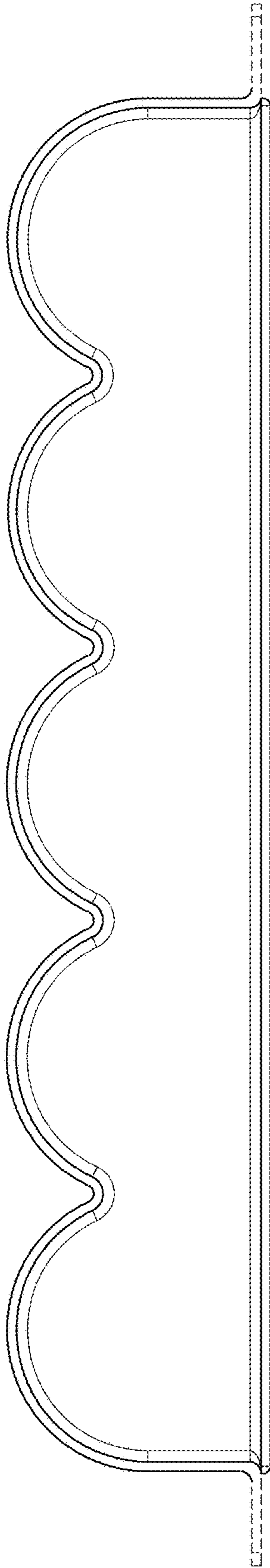


FIG. 6

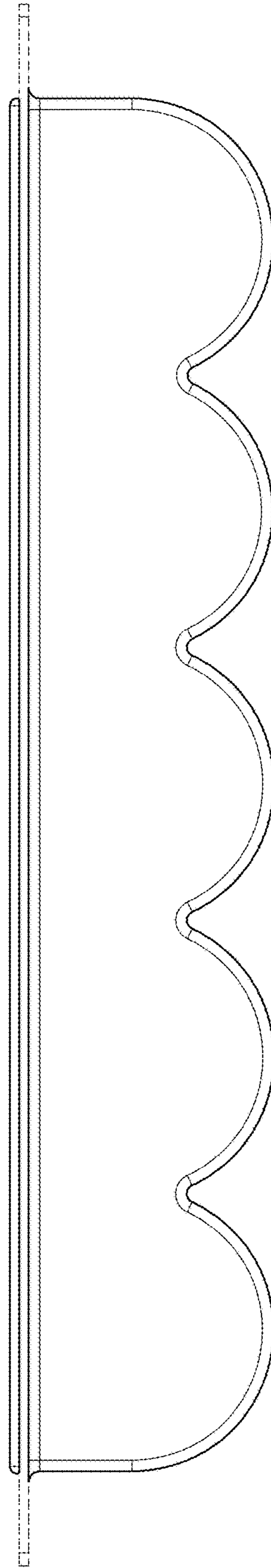


FIG. 7