

US00D845028S

(12) **United States Design Patent** (10) **Patent No.:** **US D845,028 S**
Corona (45) **Date of Patent:** **** Apr. 9, 2019**

(54) **STORAGE DEVICE**
(71) Applicant: **Paris Presents Incorporated**, Gurnee, IL (US)
(72) Inventor: **Alessandra Corona**, Chicago, IL (US)
(73) Assignee: **Paris Presents Incorporated**, Gurnee, IL (US)
(**) Term: **15 Years**

4,244,544 A 1/1981 Komat
4,325,485 A 4/1982 Pina et al.
4,781,608 A 11/1988 Hillmann
(Continued)

(21) Appl. No.: **29/636,486**
(22) Filed: **Feb. 8, 2018**
(51) **LOC (11) Cl.** **23-02**
(52) **U.S. Cl.**
USPC **D6/553**
(58) **Field of Classification Search**
USPC D6/553, 512-514, 525, 524, 536, 540,
D6/566; 211/13.1, 74, 71.01, 86.01, 75,
211/126.1, 133.5, 181.1, 134; D3/304
CPC A47K 17/00; A47K 3/281; A47K 3/001;
B23P 17/04; A47B 57/265; A47B 57/565;
A47B 57/26
See application file for complete search history.

OTHER PUBLICATIONS

Non-Final Office Action issued in corresponding U.S. Appl. No. 15/876,376 dated Oct. 19, 2018, 13 pages.
(Continued)

Primary Examiner — David G Muller
Assistant Examiner — Nathan M Johnston
(74) *Attorney, Agent, or Firm* — Quarles & Brady LLP

(57) **CLAIM**

The ornamental design for a storage device, as shown and described.

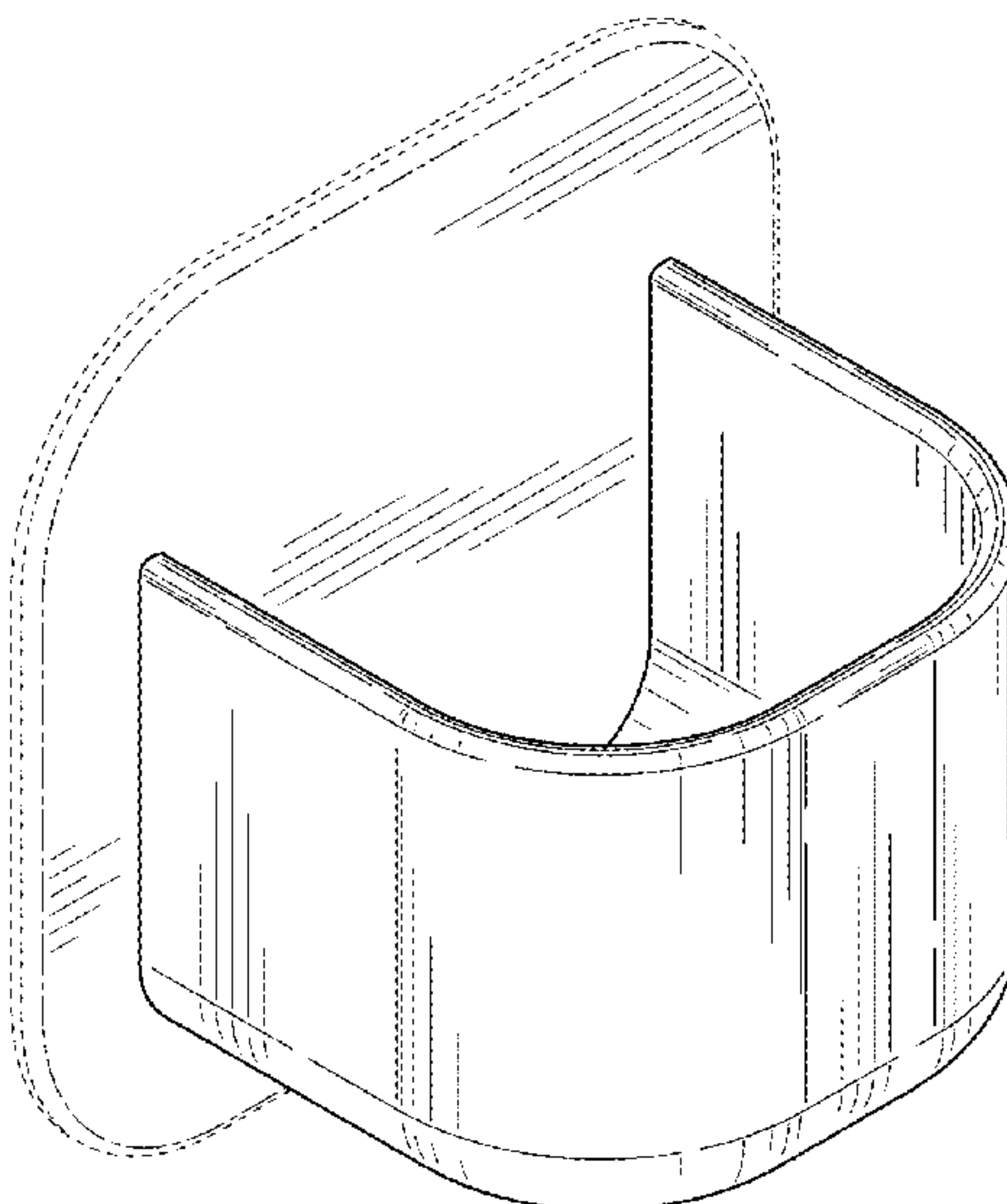
DESCRIPTION

FIG. 1 is a front perspective view of a first embodiment of a storage device showing my new design; FIG. 2 is a front elevation view thereof; FIG. 3 is a rear elevation view thereof; FIG. 4 is a right side elevation view thereof; FIG. 5 is a left side elevation view thereof; FIG. 6 is a top plan view thereof; FIG. 7 is a bottom plan view thereof; FIG. 8 is a front perspective view of a second embodiment of a storage device showing my new design; FIG. 9 is a front elevation view thereof; FIG. 10 is a rear elevation view thereof; FIG. 11 is a right side elevation view thereof; FIG. 12 is a left side elevation view thereof; FIG. 13 is a top plan view thereof; and, FIG. 14 is a bottom plan view thereof. The dash-dash-dash lines are included for the purpose of illustrating portions that form no part of the claimed design. The dash-dot-dash lines showing a boundary line form no part of the claimed design.

(56) **References Cited**
U.S. PATENT DOCUMENTS

1,739,801 A	12/1929	Pitts
2,414,653 A	1/1947	Lookholder
2,457,918 A	1/1949	Pierce
2,470,811 A	5/1949	Engleman
2,508,945 A	5/1950	Heuer
2,591,805 A	4/1952	Gossett
D190,429 S	5/1961	Hoagland
3,762,570 A	10/1973	Tobin
D229,484 S	12/1973	Brown
3,946,877 A	3/1976	Galiccia
3,995,743 A	12/1976	Blackburne
4,114,241 A	9/1978	Bisping
4,176,752 A	12/1979	Taber

1 Claim, 8 Drawing Sheets



(56)

References Cited

U.S. PATENT DOCUMENTS

D310,925 S * 10/1990 Mervar D19/75
 4,971,271 A 11/1990 Sularz
 5,005,710 A 4/1991 Hofer
 D316,834 S 5/1991 Mendenhall
 D327,014 S 6/1992 Heller et al.
 5,163,566 A 11/1992 Hempel
 5,191,975 A 3/1993 Pezzoli et al.
 D341,624 S 11/1993 Evenson et al.
 5,316,246 A 5/1994 Scott et al.
 5,358,128 A 10/1994 Belokin et al.
 D353,735 S 12/1994 English
 5,369,835 A 12/1994 Clarke
 D354,904 S 1/1995 Halsten
 5,419,443 A 5/1995 Niederberger et al.
 5,450,970 A 9/1995 Mitchell
 D365,714 S 1/1996 Masello
 5,480,038 A 1/1996 Collier
 D378,408 S 3/1997 Pyeatt et al.
 5,615,780 A 4/1997 Nimetz et al.
 5,655,673 A 8/1997 Weterrings et al.
 D387,384 S * 12/1997 Meyer D19/86
 5,727,697 A 3/1998 Ricciardelli et al.
 5,971,192 A 10/1999 Immerman et al.
 D416,421 S 11/1999 Hampshire
 D419,301 S 1/2000 Hampshire
 D423,845 S * 5/2000 Coffin D6/526
 6,092,675 A 7/2000 Ramirez, Jr. et al.
 D429,399 S * 8/2000 Swanson D34/1
 D434,880 S * 12/2000 McNary D30/101
 D437,151 S 2/2001 Gerstmar
 D451,730 S 12/2001 Henderson
 D451,731 S 12/2001 Henderson
 6,360,051 B1 3/2002 Daoud
 6,458,104 B2 10/2002 Gautsche
 6,619,604 B1 9/2003 Stillman
 D480,245 S 10/2003 Johansson et al.
 D481,930 S 11/2003 Hein
 D483,586 S 12/2003 Snell
 D483,587 S * 12/2003 Snell D6/525
 D485,306 S 1/2004 Sheldon et al.
 D486,022 S * 2/2004 Shamoan D6/553
 D493,995 S * 8/2004 Chen D6/553
 D494,797 S 8/2004 Ramnauth et al.
 D497,755 S 11/2004 Wood et al.
 D501,886 S 2/2005 Chen et al.
 6,857,526 B2 2/2005 Vollmer
 D512,255 S * 12/2005 Snell D6/567
 D532,235 S * 11/2006 Snell D6/567
 D535,842 S 1/2007 Wood
 D536,560 S * 2/2007 Hajianpour D6/518
 D544,272 S 6/2007 Chen et al.
 7,246,709 B2 7/2007 Kim
 D550,493 S 9/2007 Coran
 D563,136 S 3/2008 Kramer
 D566,361 S 4/2008 Snell
 D566,919 S 4/2008 Snell
 7,383,954 B2 6/2008 Morrison
 D587,102 S 2/2009 Morgan
 D589,728 S 4/2009 Shaha et al.
 D592,434 S 5/2009 Thompson et al.
 D601,838 S 10/2009 Boutin
 D601,839 S 10/2009 Boutin
 D606,347 S 12/2009 Berry
 D606,348 S 12/2009 White et al.
 D607,607 S 1/2010 Russell

D608,574 S 1/2010 Goodman et al.
 D610,199 S 2/2010 Liang
 D614,427 S 4/2010 Nejad
 7,712,709 B2 5/2010 Winchester
 D618,675 S 6/2010 Thompson et al.
 D626,363 S * 11/2010 Yang D6/525
 D636,198 S 4/2011 Gibbs
 D636,201 S 4/2011 Kolano et al.
 D639,092 S 6/2011 Lundy
 7,959,014 B2 6/2011 Dredla, IV
 D642,841 S * 8/2011 Dretzka D6/553
 D644,501 S 9/2011 Chen
 D652,661 S 1/2012 Lipfert et al.
 D661,487 S 6/2012 Kraemer
 D674,224 S 1/2013 Connelly et al.
 8,387,783 B2 3/2013 Zack et al.
 D689,300 S 9/2013 MacKenzie
 8,561,816 B2 10/2013 Martin et al.
 D693,595 S 11/2013 Pierre-Pipkin
 D694,037 S * 11/2013 Primeau D6/514
 D699,972 S * 2/2014 Lee D6/553
 D701,394 S 3/2014 Lin
 8,662,463 B2 3/2014 Chen et al.
 D704,949 S 5/2014 Rodriguez et al.
 8,727,141 B2 5/2014 Akalin et al.
 D725,932 S 4/2015 Balogh
 D725,933 S 4/2015 Balogh
 D725,934 S 4/2015 Balogh
 D725,935 S 4/2015 Balogh
 D726,446 S 4/2015 Tollasepp et al.
 8,998,151 B2 4/2015 Hoek
 9,010,708 B2 4/2015 Vasilev
 D731,187 S * 6/2015 Thompson D3/315
 D732,828 S * 6/2015 Thompson D3/315
 D762,980 S * 8/2016 Aller D3/304
 D774,762 S 12/2016 Aller et al.
 D775,464 S 1/2017 Aller et al.
 D775,465 S * 1/2017 Aller D3/304
 D781,069 S * 3/2017 Marshall D6/553
 D790,127 S 6/2017 Verleur
 D794,893 S * 8/2017 Libman D32/55
 D804,845 S * 12/2017 Cockburn D6/513
 D804,846 S * 12/2017 Cockburn D6/513
 D808,188 S * 1/2018 Cockburn D6/513
 D819,972 S * 6/2018 Chang D3/315
 D826,594 S * 8/2018 Joseph D6/528
 D827,329 S 9/2018 Joseph
 2003/0089673 A1 5/2003 Herren
 2004/0099624 A1 5/2004 Hein
 2004/0118982 A1 6/2004 Shillings et al.
 2004/0256335 A1 12/2004 Sholem
 2005/0189453 A1 9/2005 DeGuevara
 2006/0076355 A1 4/2006 Sofy
 2006/0180716 A1 8/2006 Tan et al.
 2007/0235597 A1 10/2007 Winchester
 2009/0065249 A1 3/2009 Silvers
 2009/0101762 A1 4/2009 Young
 2009/0184015 A1 7/2009 Ruppert
 2011/0016632 A1 1/2011 Hopf
 2017/0000296 A1 1/2017 Wang
 2018/0263427 A1 9/2018 Cockburn et al.

OTHER PUBLICATIONS

Notice of Allowance issued in corresponding U.S. Appl. No. 29/636,485 dated Nov. 19, 2018, 9 pages.

* cited by examiner

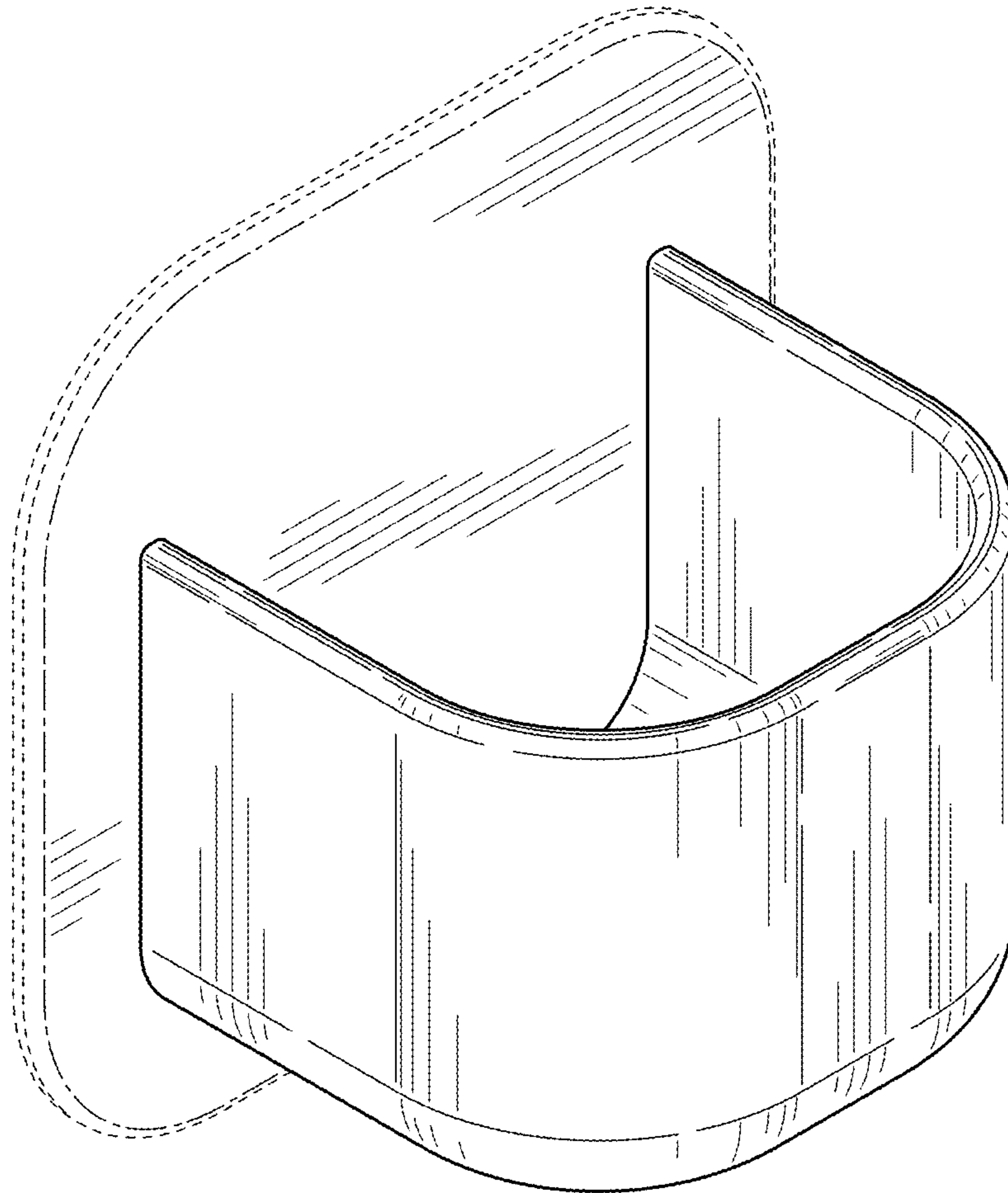


FIG. 1

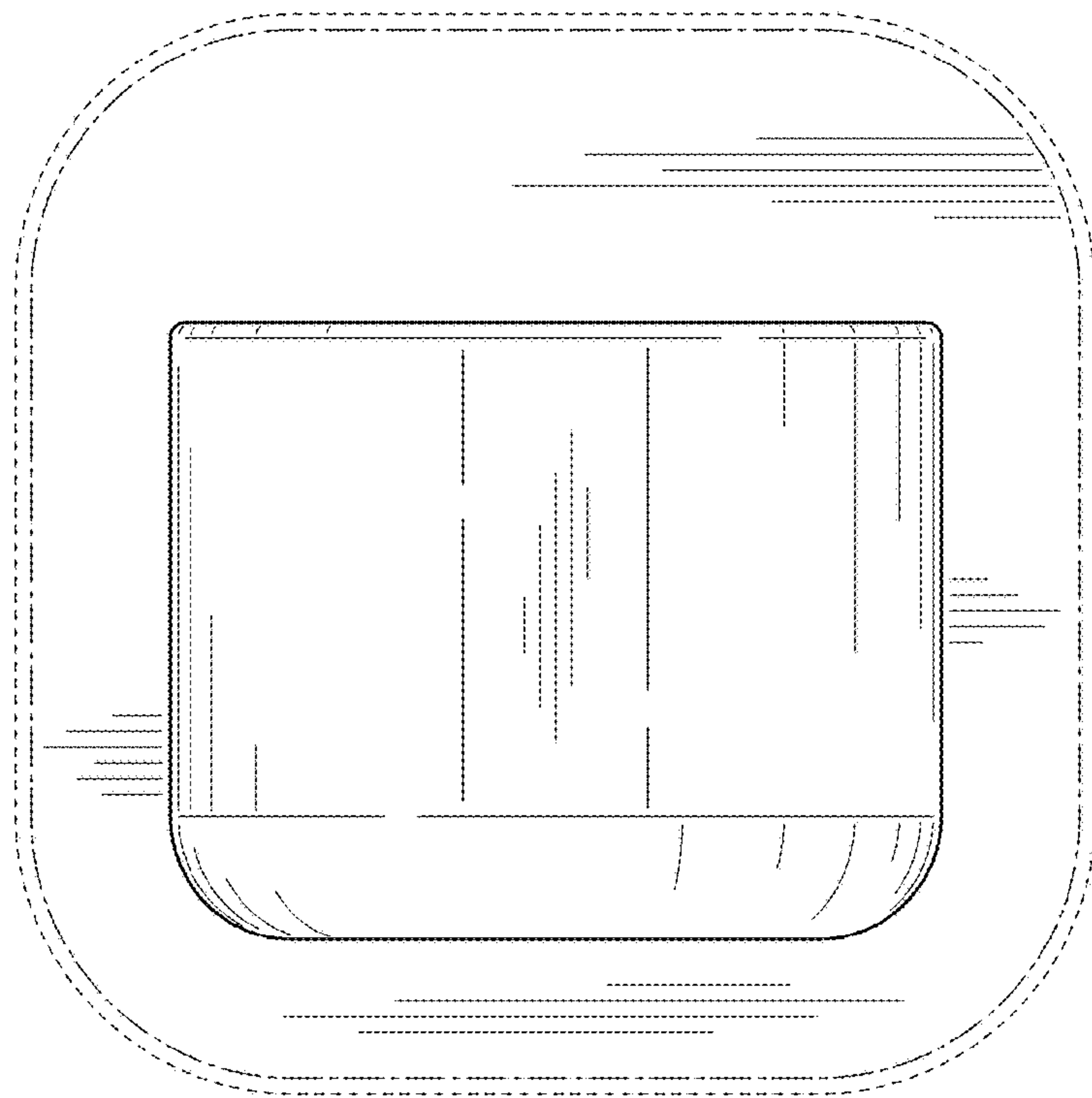


FIG. 2

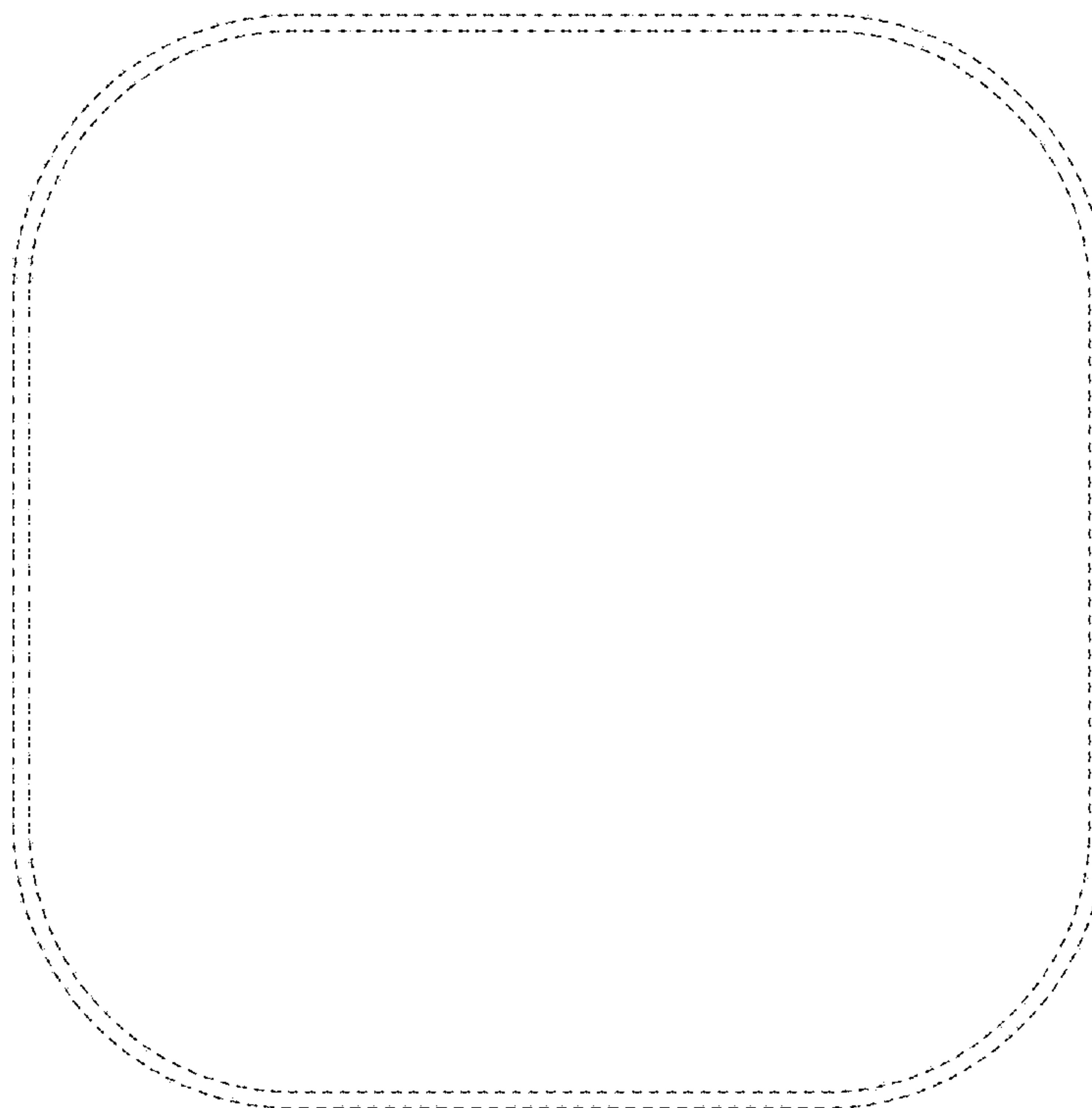


FIG. 3

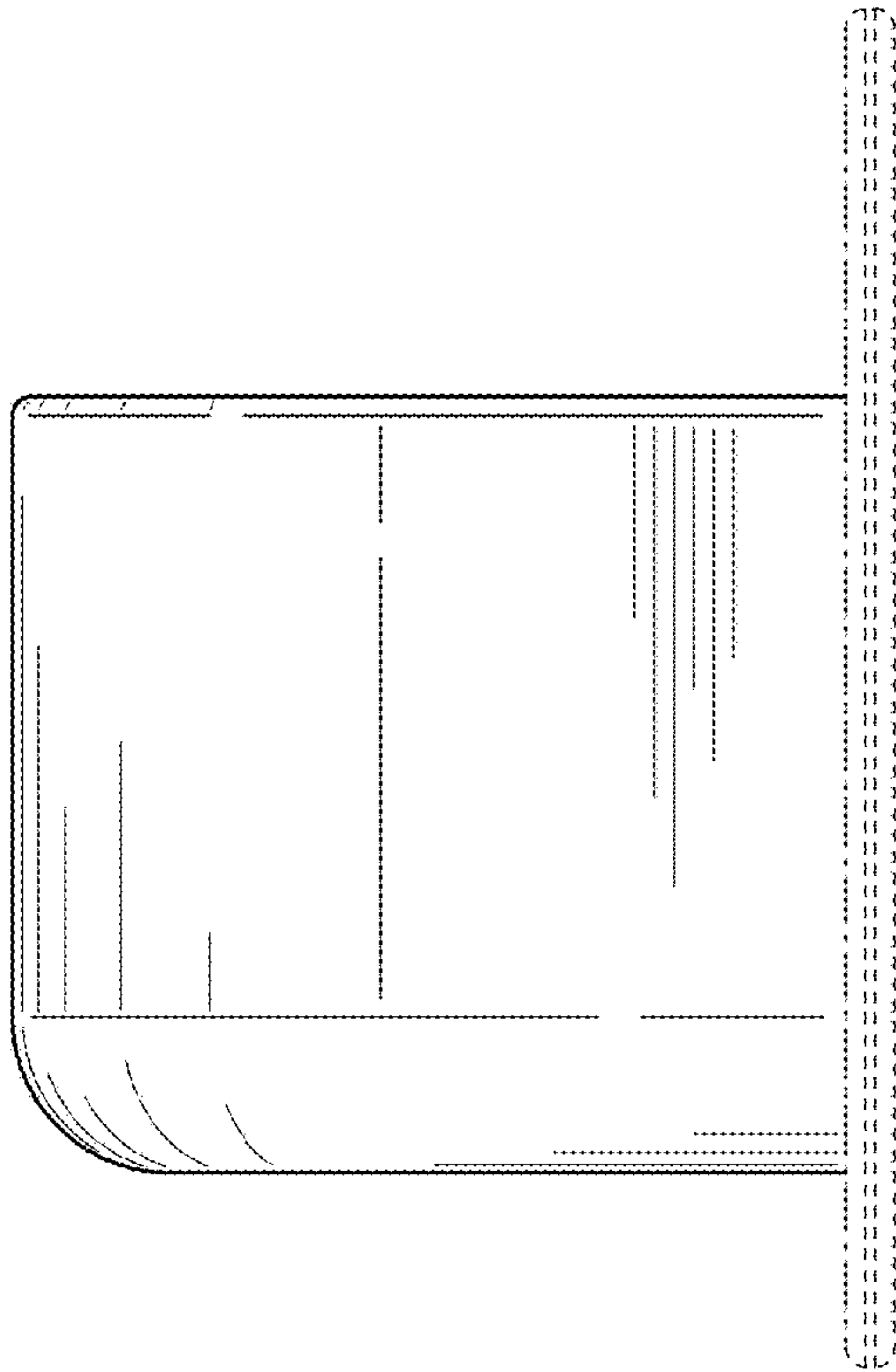


FIG. 4

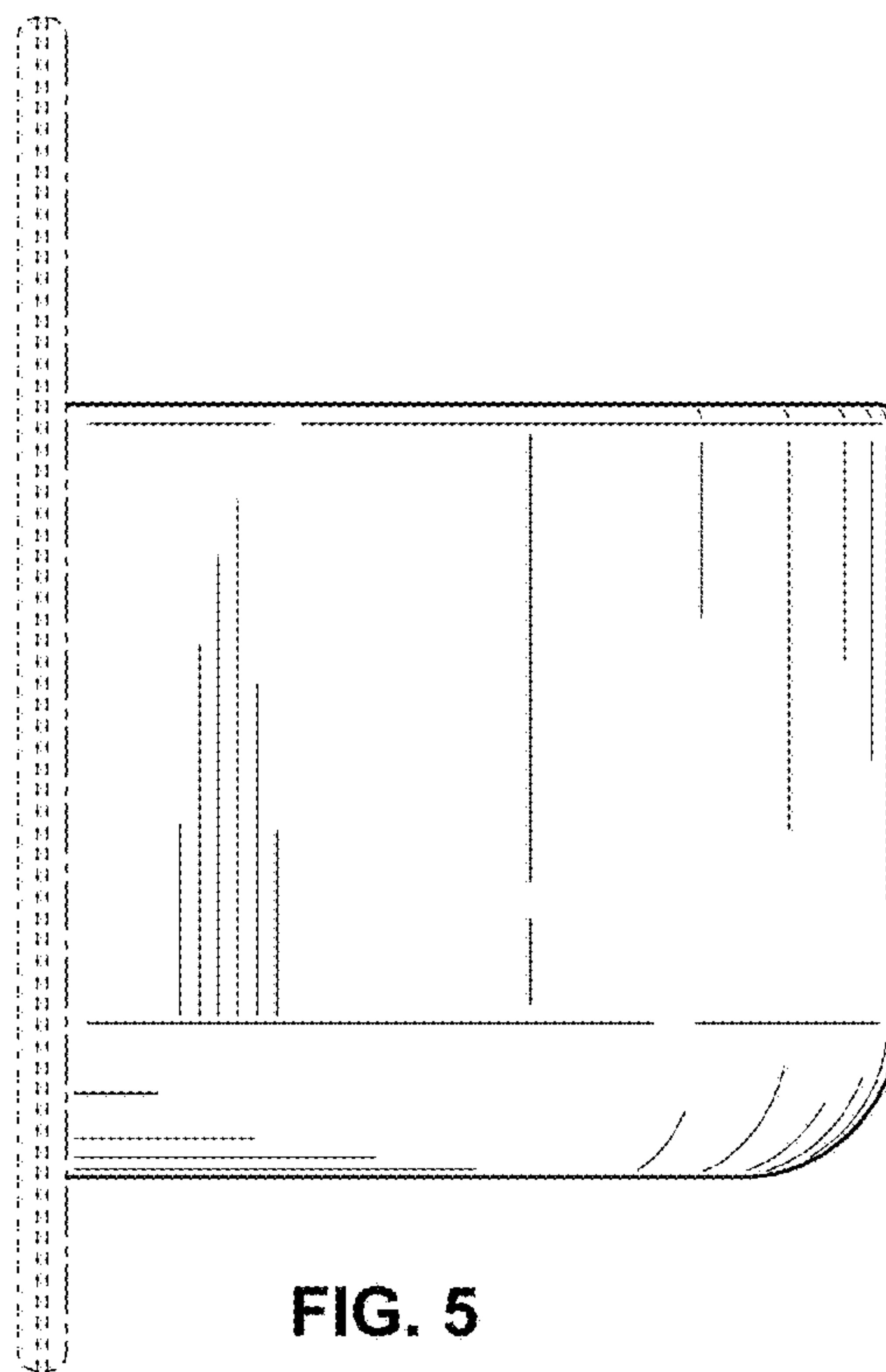


FIG. 5

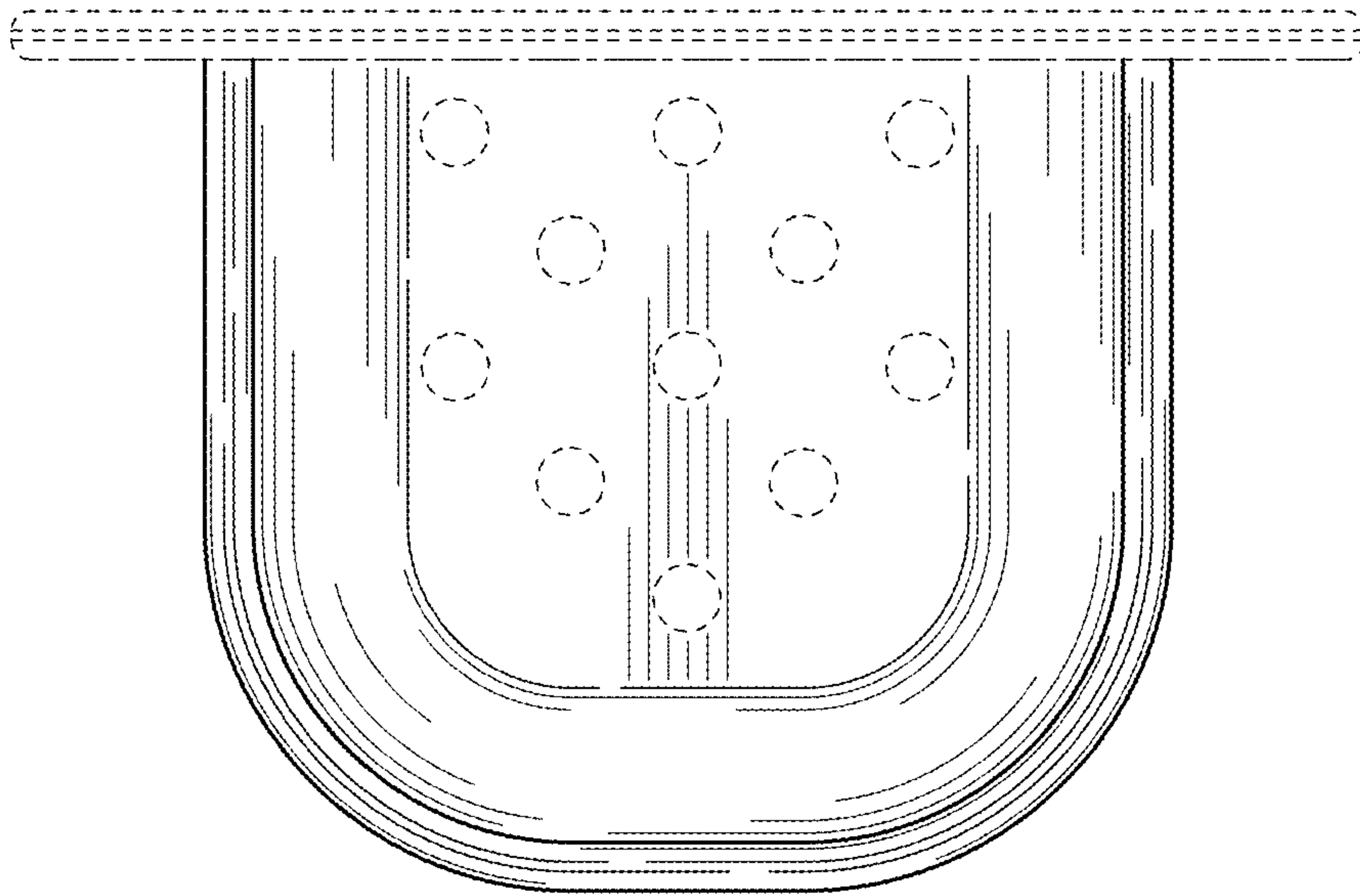


FIG. 6

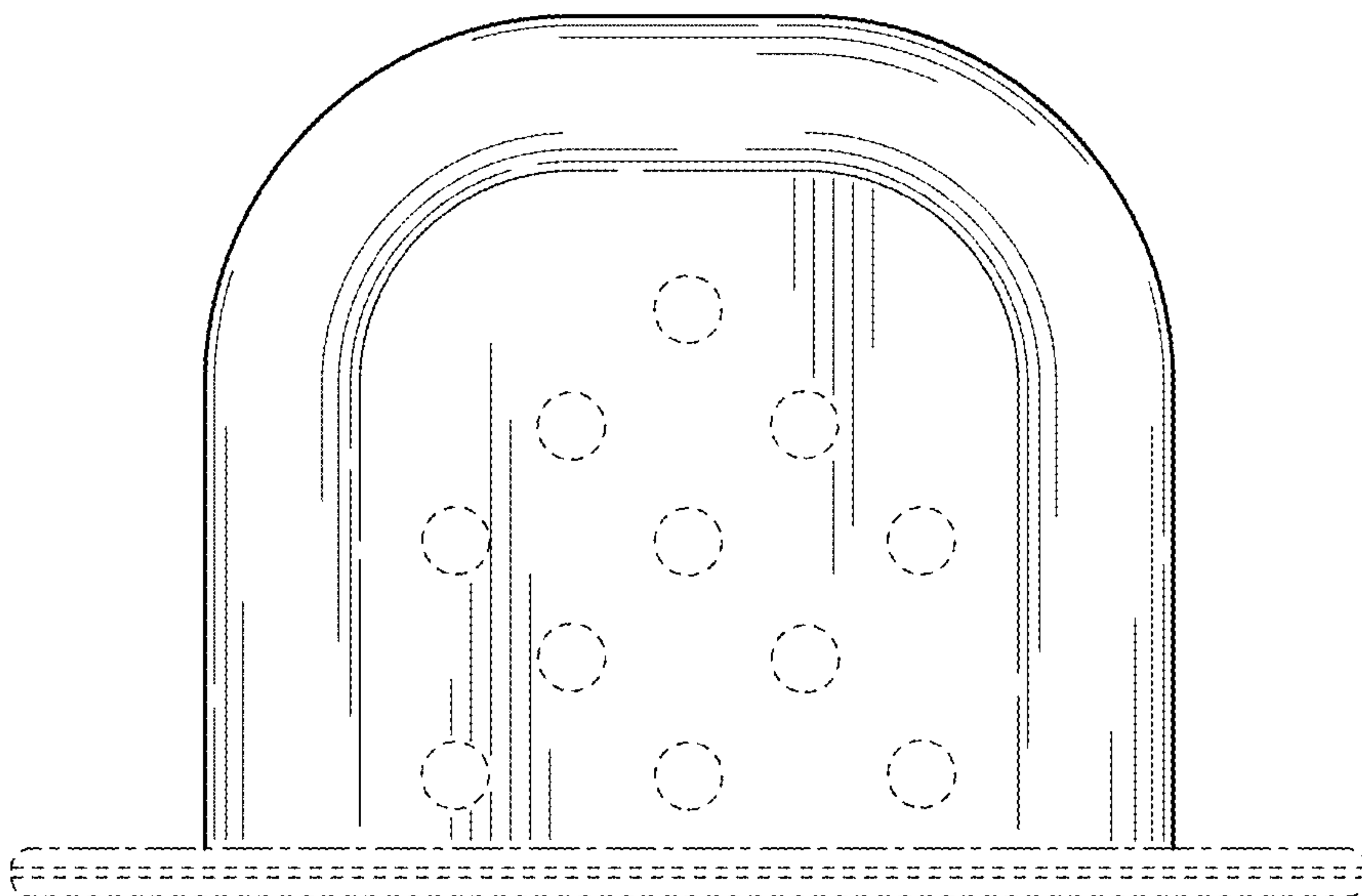


FIG. 7

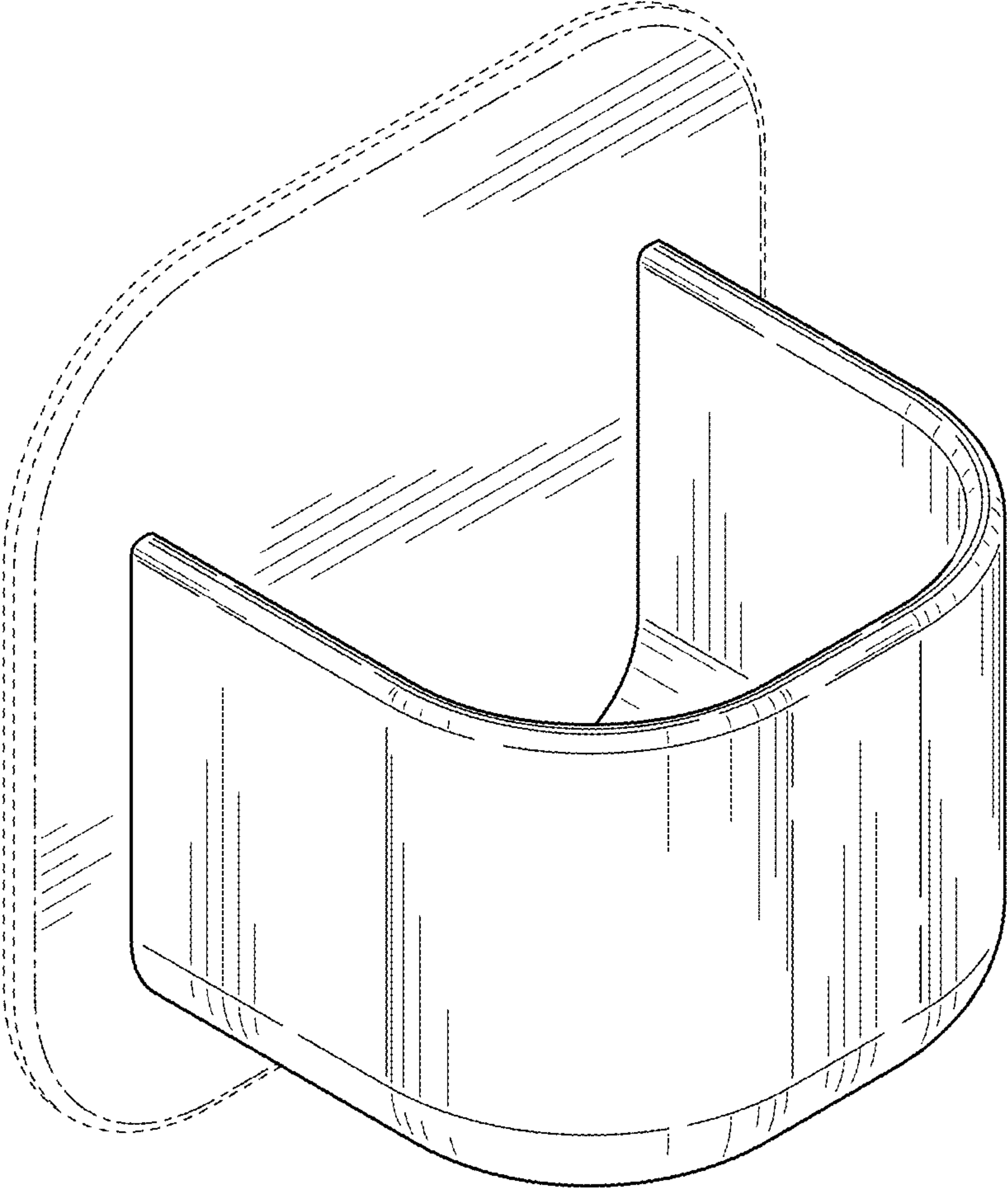


FIG. 8

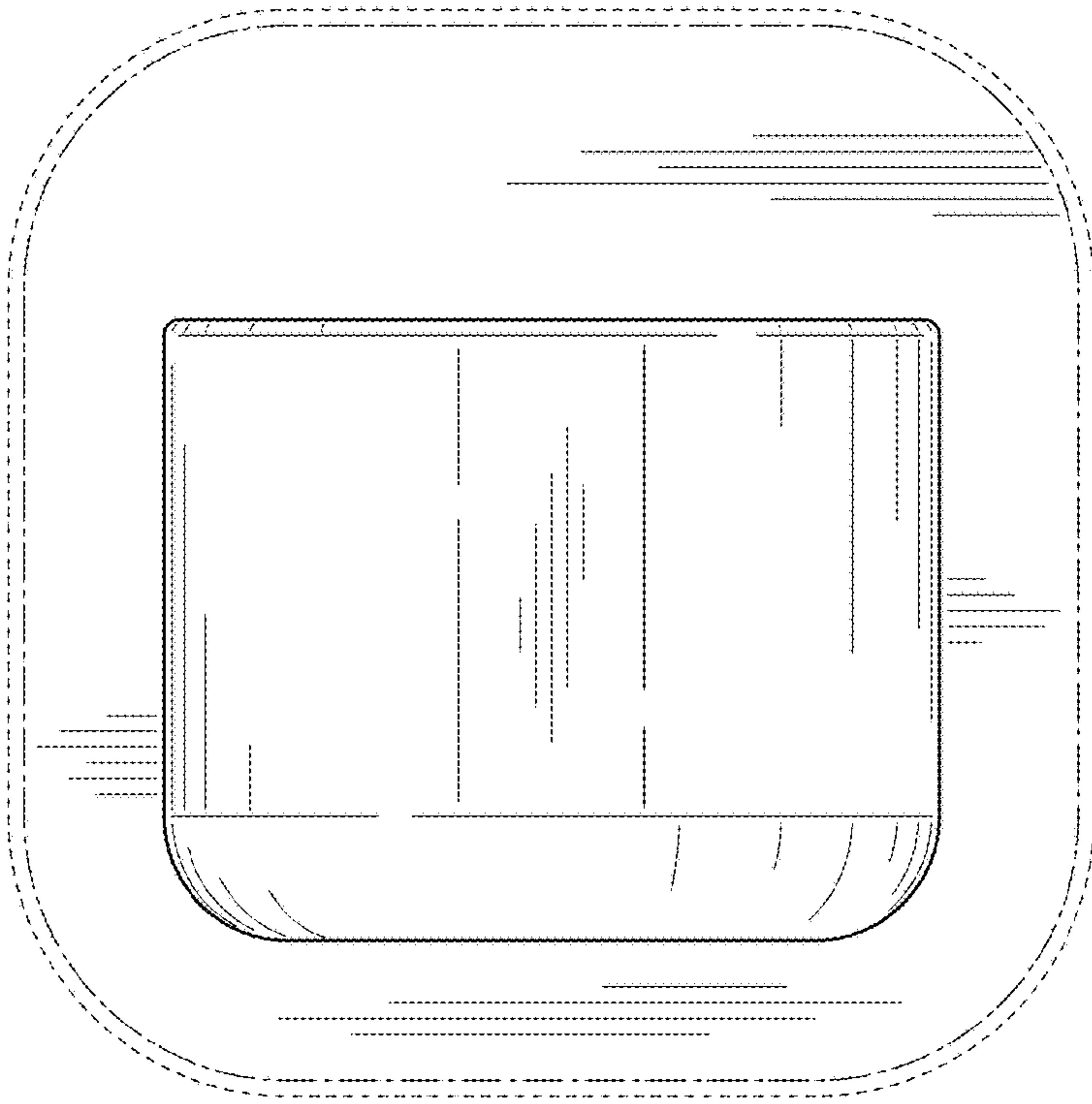
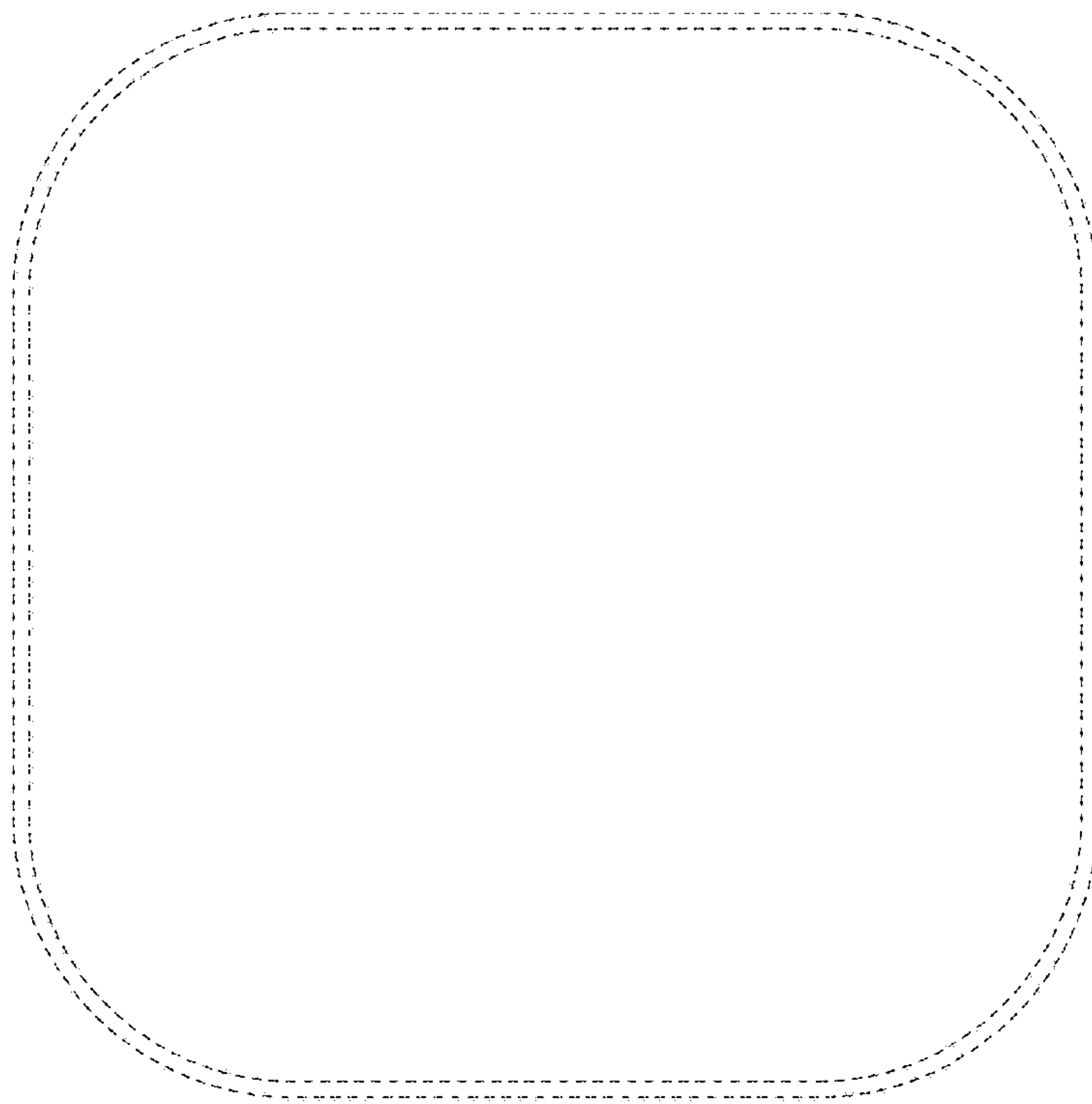


FIG. 9

FIG. 10



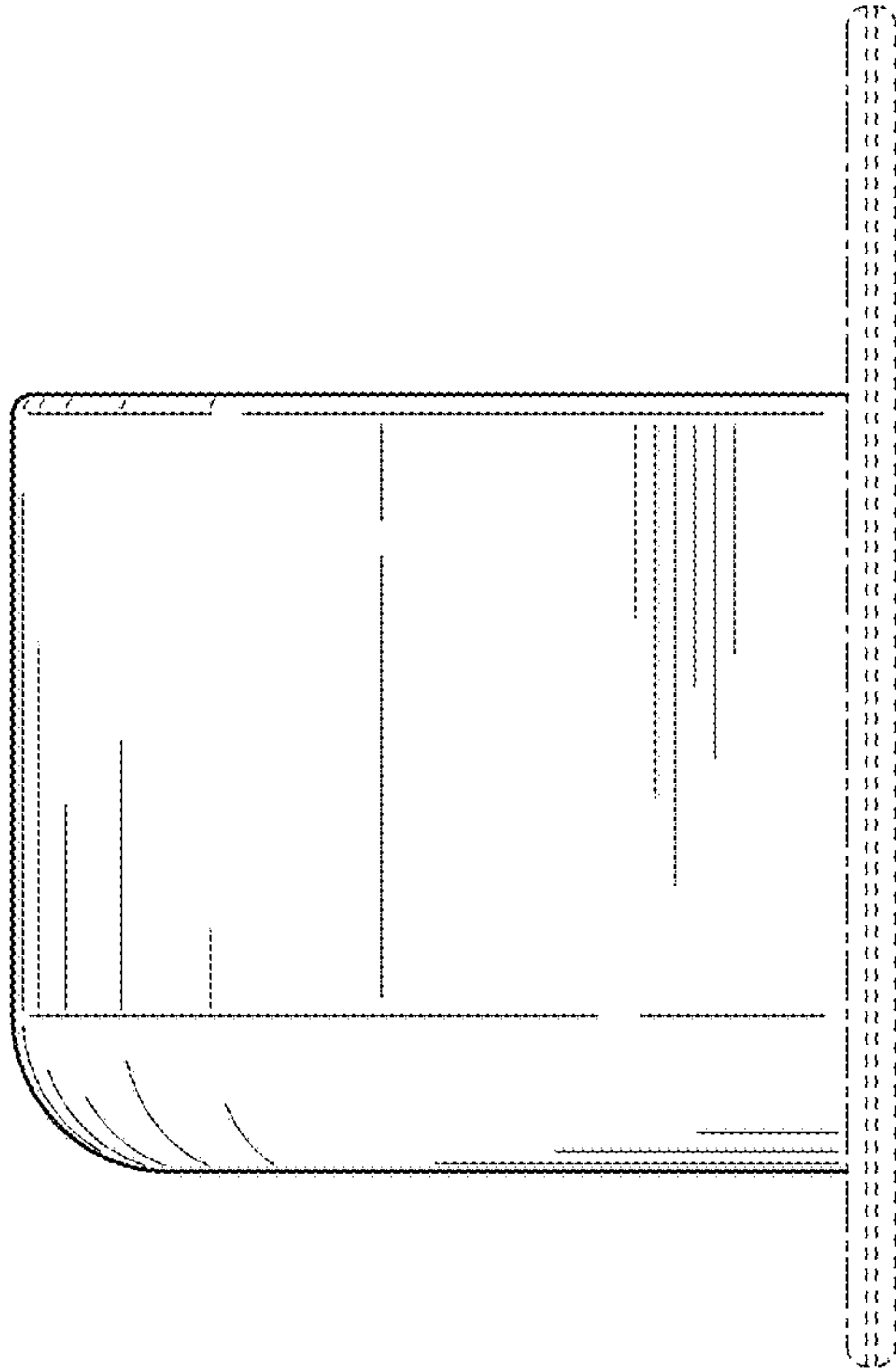
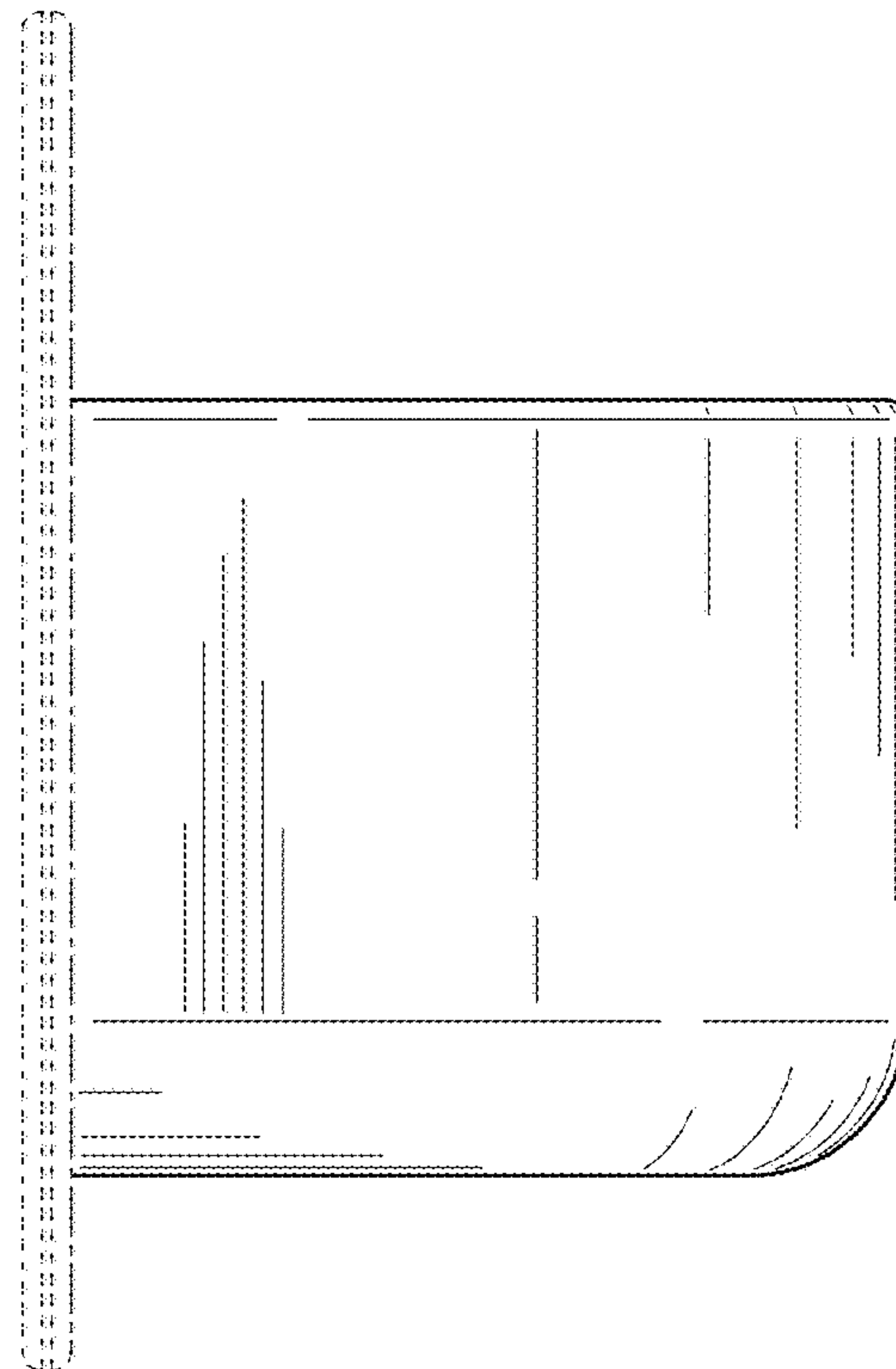


FIG. 11

FIG. 12



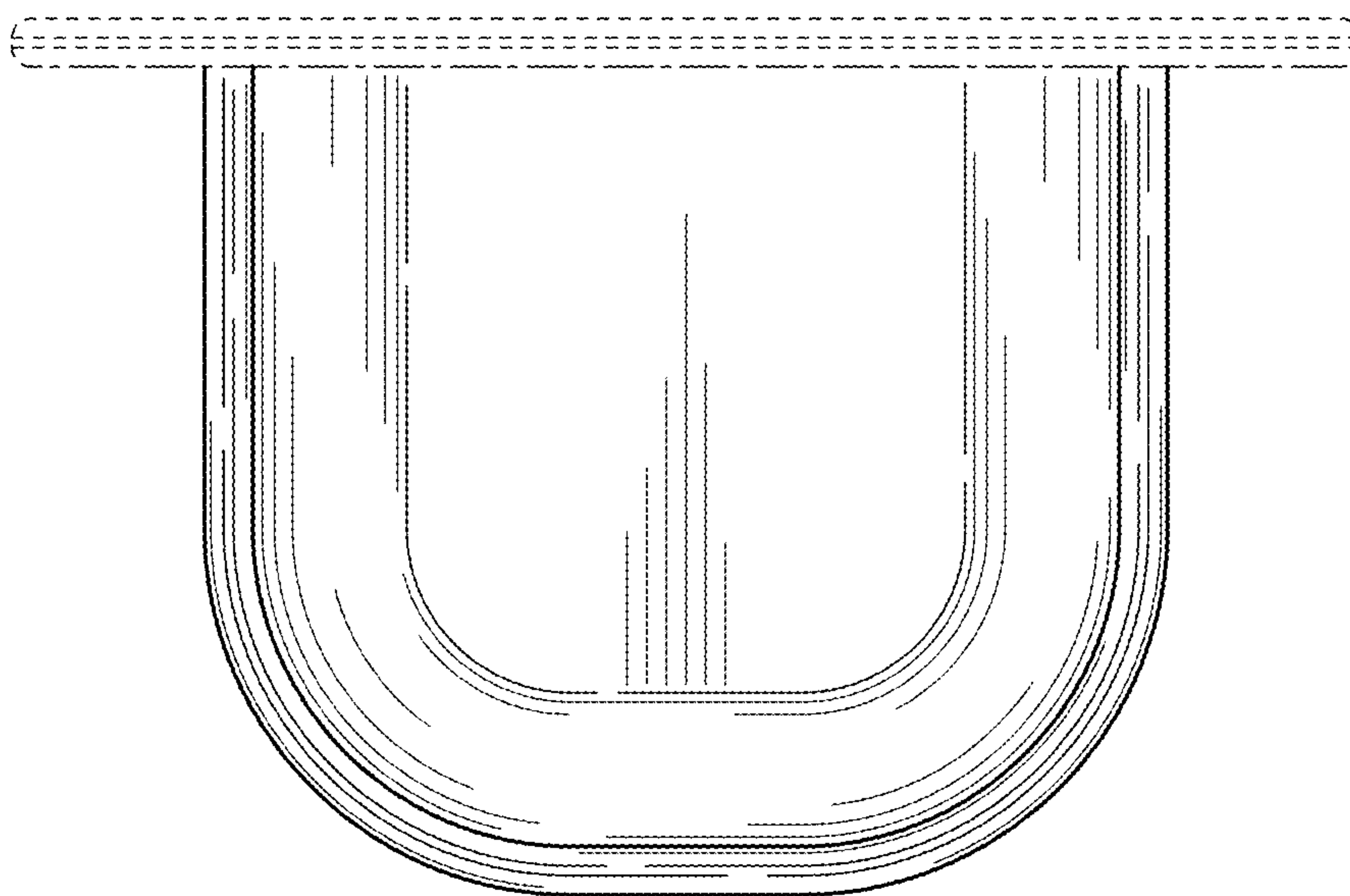


FIG. 13

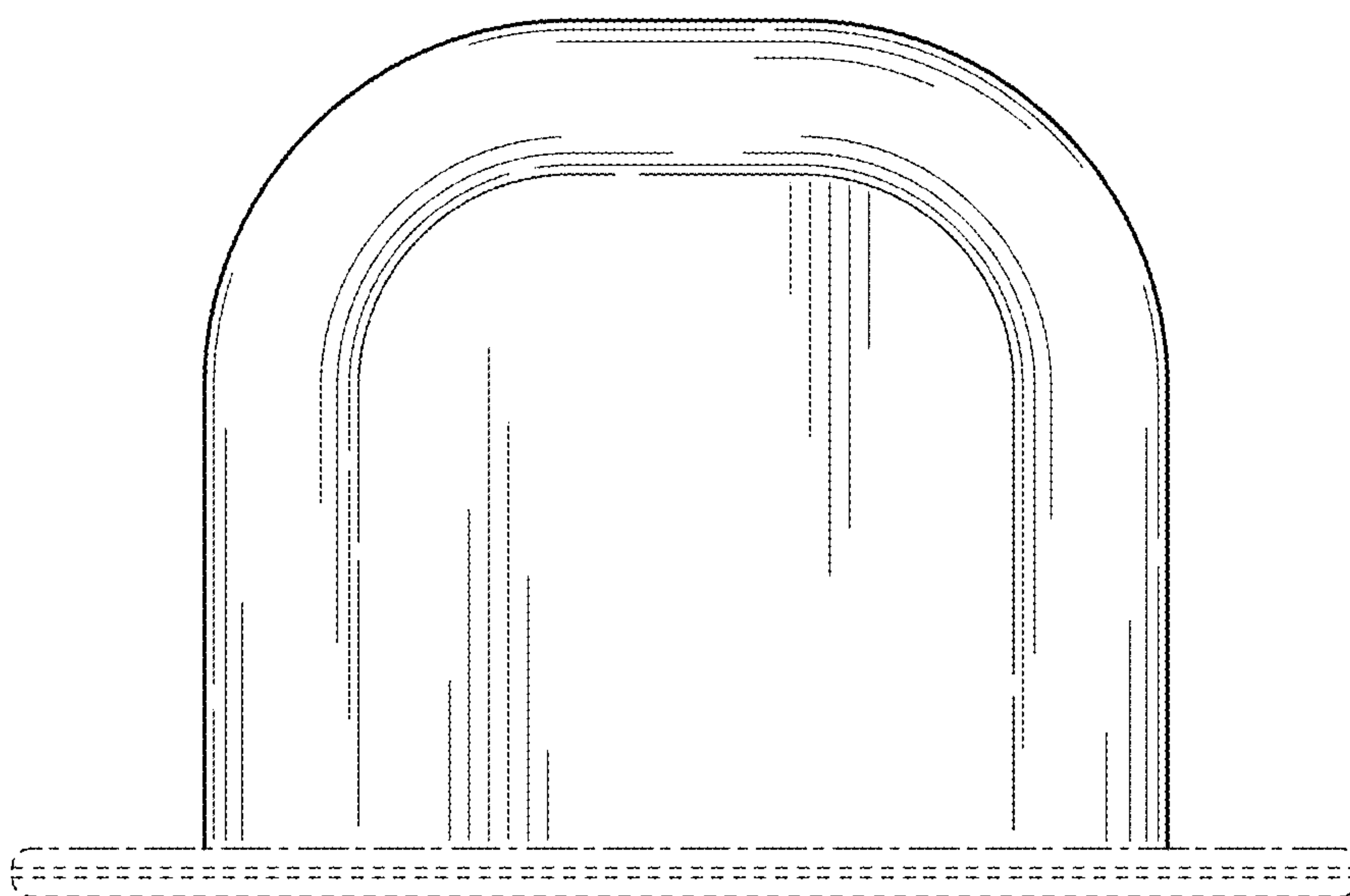


FIG. 14