



US00D845024S

(12) **United States Design Patent**
Joseph

(10) **Patent No.:** **US D845,024 S**

(45) **Date of Patent:** **** Apr. 9, 2019**

(54) **CADDY**

(71) Applicant: **JOSEPH JOSEPH LTD**, London (GB)

(72) Inventor: **Antony Joseph**, London (GB)

(73) Assignee: **Joseph Joseph Ltd.**, London (GB)

(**) Term: **15 Years**

(21) Appl. No.: **29/639,626**

(22) Filed: **Mar. 7, 2018**

(30) **Foreign Application Priority Data**

Sep. 7, 2017 (EM) 004246585-0008

(51) **LOC (11) Cl.** **06-04**

(52) **U.S. Cl.**
USPC **D6/525**; D6/532

(58) **Field of Classification Search**
USPC D6/524-525, 566, 536, 540, 567, 570,
D6/532; 211/13.1, 74, 71.01, 86.01, 75,
211/126.1, 133.5, 181.1, 134; D3/304;
D15/79-81; D7/603-608, 629
CPC B01D 35/00; B01D 35/02; B01D 35/027;
B01D 29/37; B01D 35/28; A47J 47/20;
A47J 43/24

See application file for complete search history.

(56) **References Cited**

U.S. PATENT DOCUMENTS

- 4,207,975 A * 6/1980 Arzillo A47K 5/05
206/350
- D298,005 S * 10/1988 Southernwood D15/81
- D310,457 S * 9/1990 Heap D6/525
- D359,867 S * 7/1995 Elldrege D6/515
- 5,680,933 A * 10/1997 Miller A47K 3/281
132/309
- D387,384 S * 12/1997 Meyer D19/86
- D416,416 S * 11/1999 Kelso D6/525
- D416,728 S * 11/1999 Kelso D6/525

- D452,944 S * 1/2002 Schmidt D34/6
- D535,842 S * 1/2007 Wood D6/567
- D563,136 S * 3/2008 Kramer D6/553
- D566,919 S * 4/2008 Snell D32/55
- D607,607 S * 1/2010 Russell D28/38
- D626,363 S * 11/2010 Yang D6/525
- D636,198 S * 4/2011 Gibbs D6/513
- D642,841 S * 8/2011 Dretzka D6/553
- D666,041 S * 8/2012 Hwang D6/536
- D701,394 S * 3/2014 Lin D6/534
- D713,652 S * 9/2014 Barclay D6/536
- D731,187 S * 6/2015 Thompson D3/315

(Continued)

OTHER PUBLICATIONS

Amazon.com, Joseph Joseph 85123 Caddy Tower, Apr. 7, 2018,
<https://www.amazon.com/Joseph-85123-Slimline-Organizer-Dishwasher-Safe/dp/B078VMH211/>.*

Primary Examiner — David G Muller

Assistant Examiner — Nathan M Johnston

(74) *Attorney, Agent, or Firm* — Millen, White, Zelano & Branigan, PC

(57) **CLAIM**

The ornamental design for a caddy, as shown and described.

DESCRIPTION

FIG. 1 is a front perspective view of the caddy showing my new design.

FIG. 2 is a back perspective view thereof.

FIG. 3 is a front view thereof.

FIG. 4 is a back view thereof.

FIG. 5 is a side view thereof.

FIG. 6 is another side view thereof.

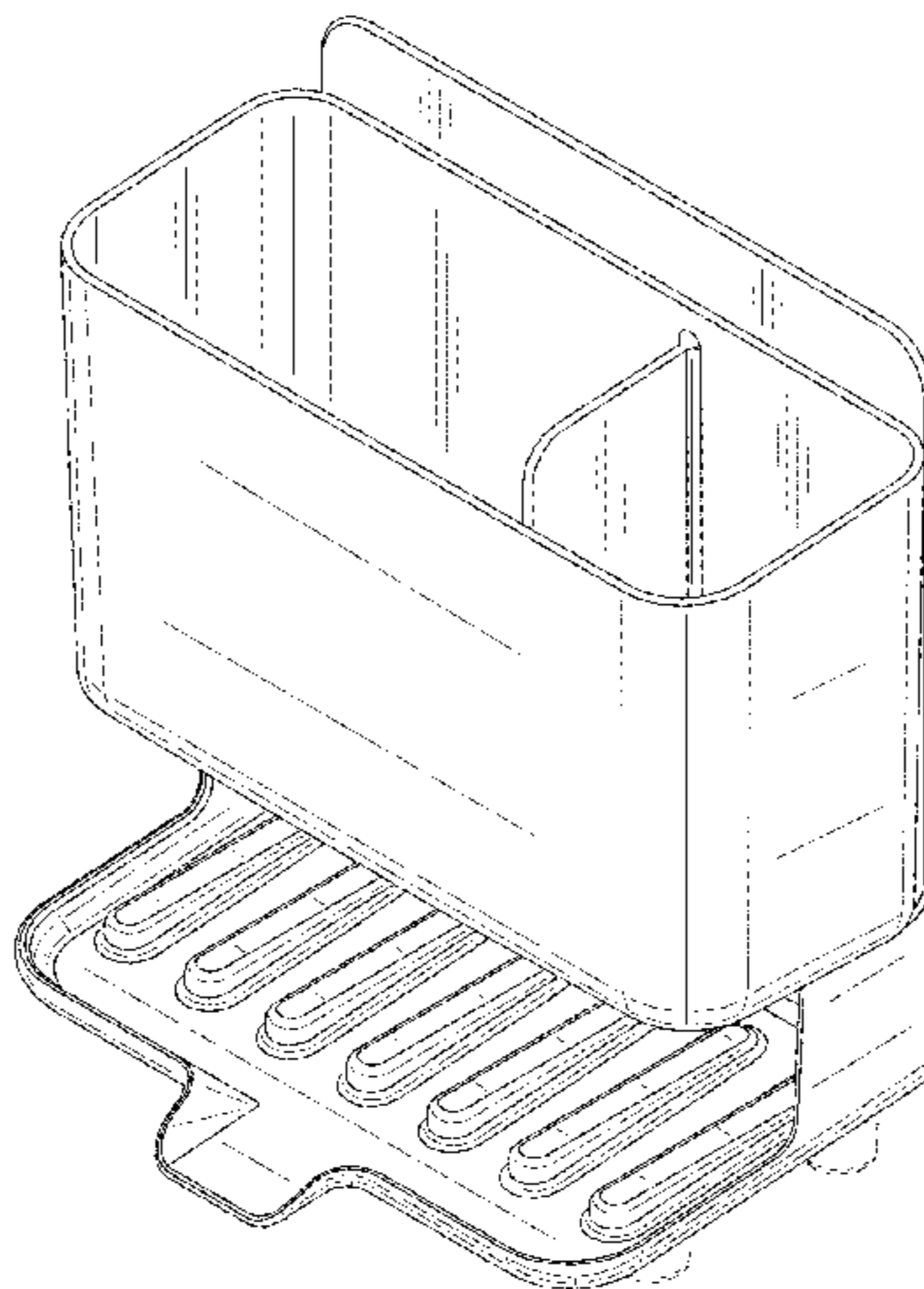
FIG. 7 is a top view thereof.

FIG. 8 is a bottom view thereof; and,

FIG. 9 is a exploded front perspective view thereof.

The broken lines in the drawings illustrate portions of the caddy which form no part of the claimed design.

1 Claim, 9 Drawing Sheets



(56)

References Cited

U.S. PATENT DOCUMENTS

D774,762 S *	12/2016	Aller	D3/304
D775,465 S *	1/2017	Aller	D3/304
D781,069 S *	3/2017	Marshall	D6/553
D785,969 S *	5/2017	Burrow	D6/536
D826,594 S *	8/2018	Joseph	D6/528
2015/0257611 A1 *	9/2015	Huang	B65D 25/108 206/77.1

* cited by examiner

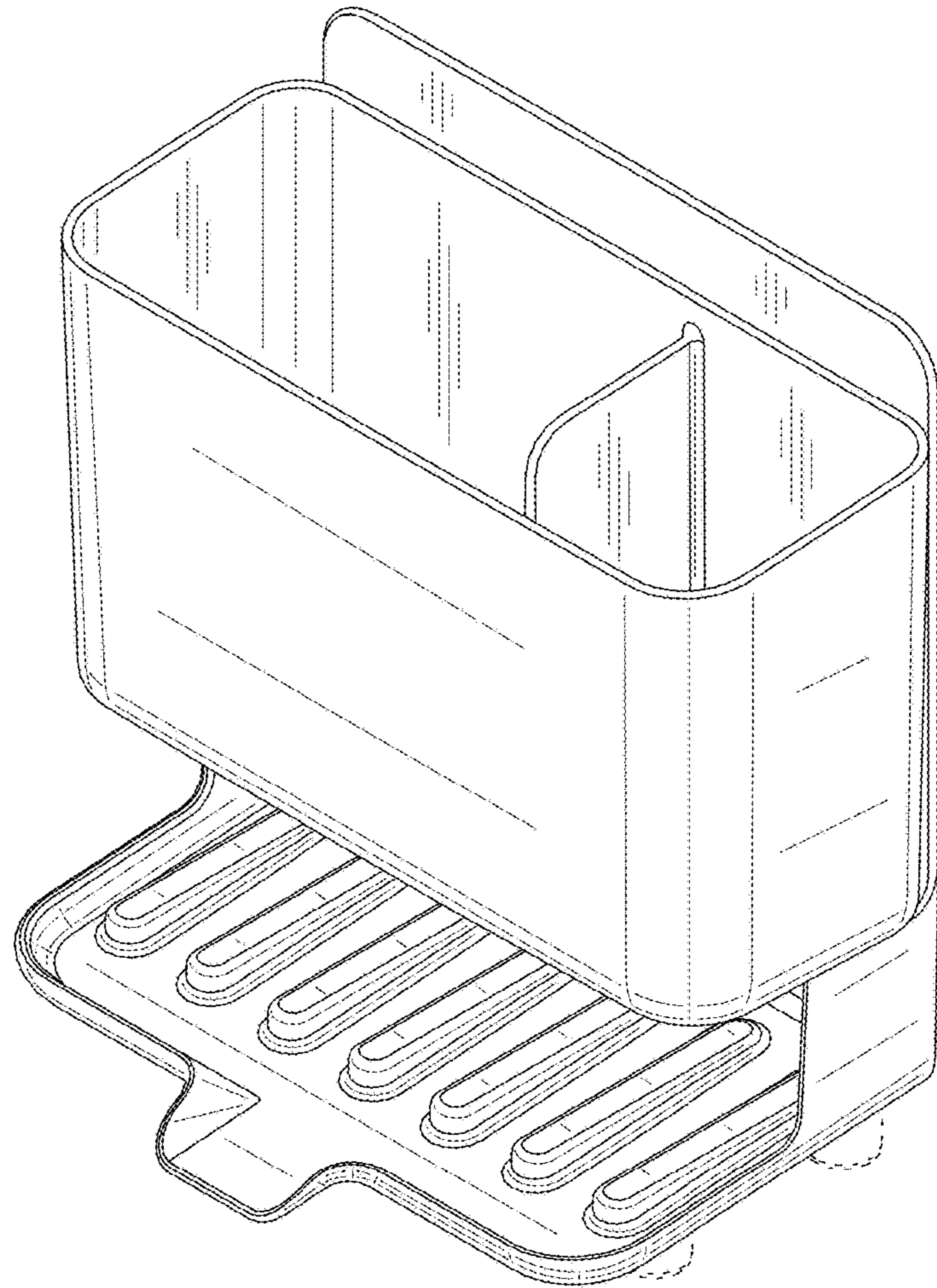


FIG. 1

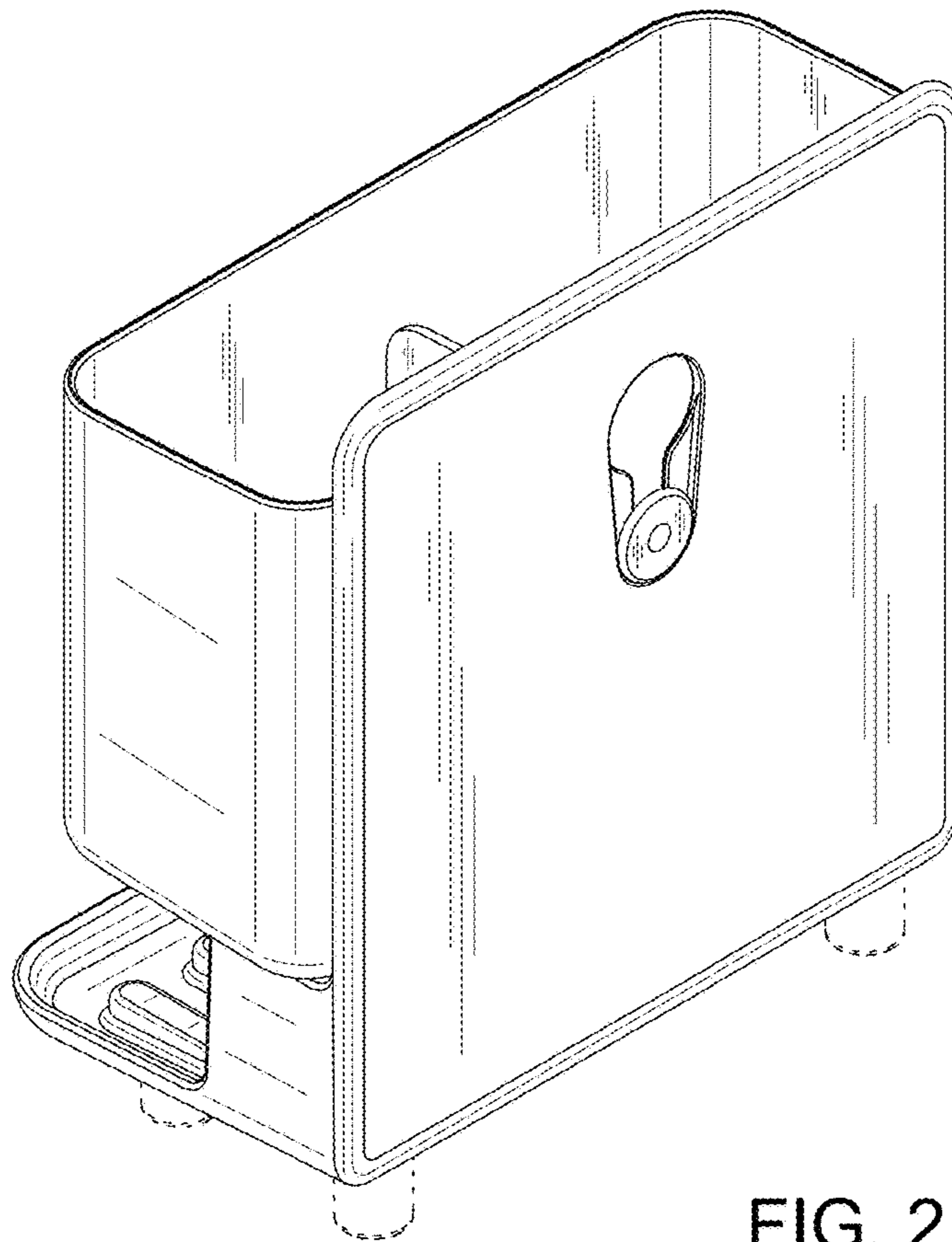


FIG. 2

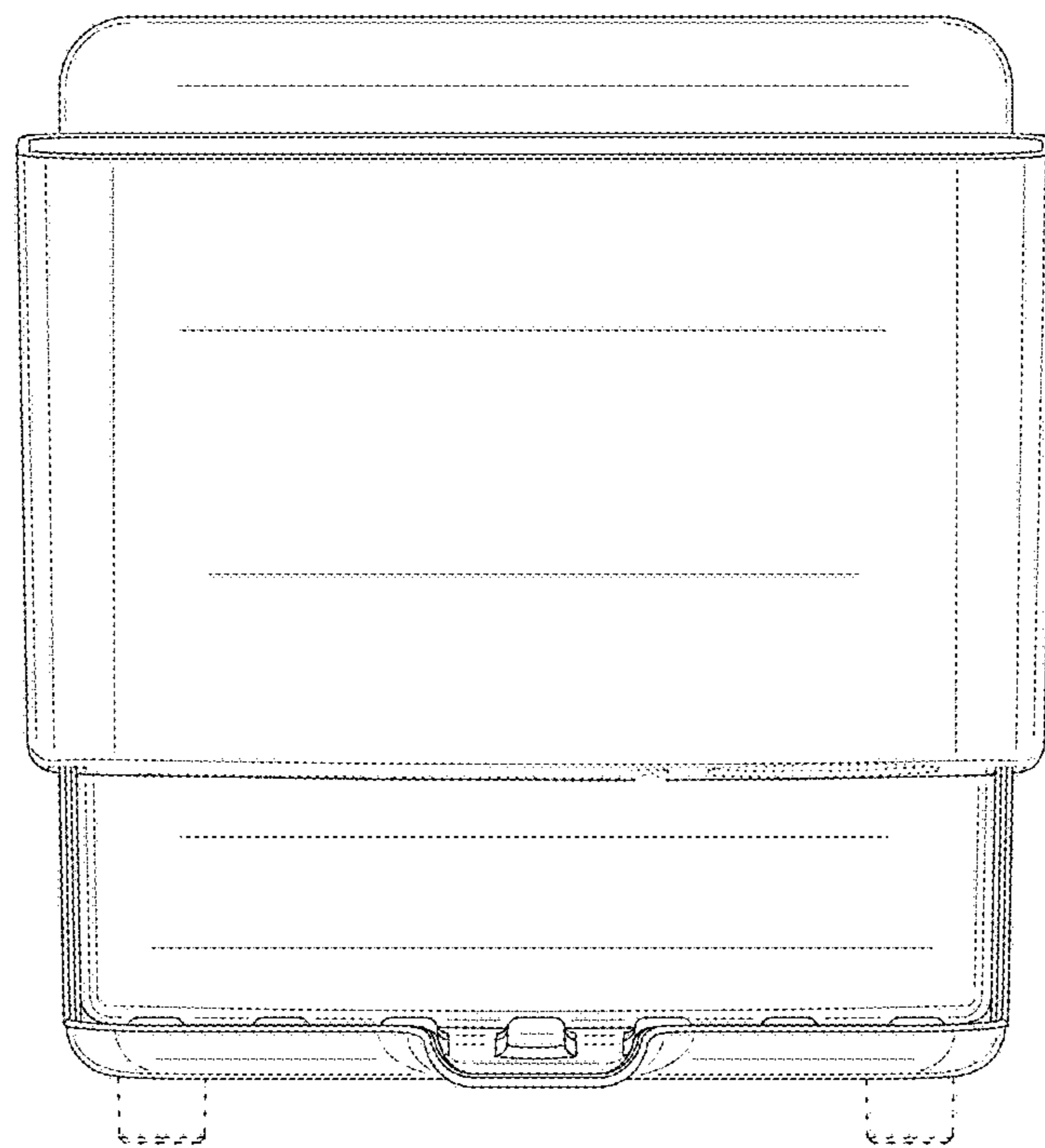


FIG. 3

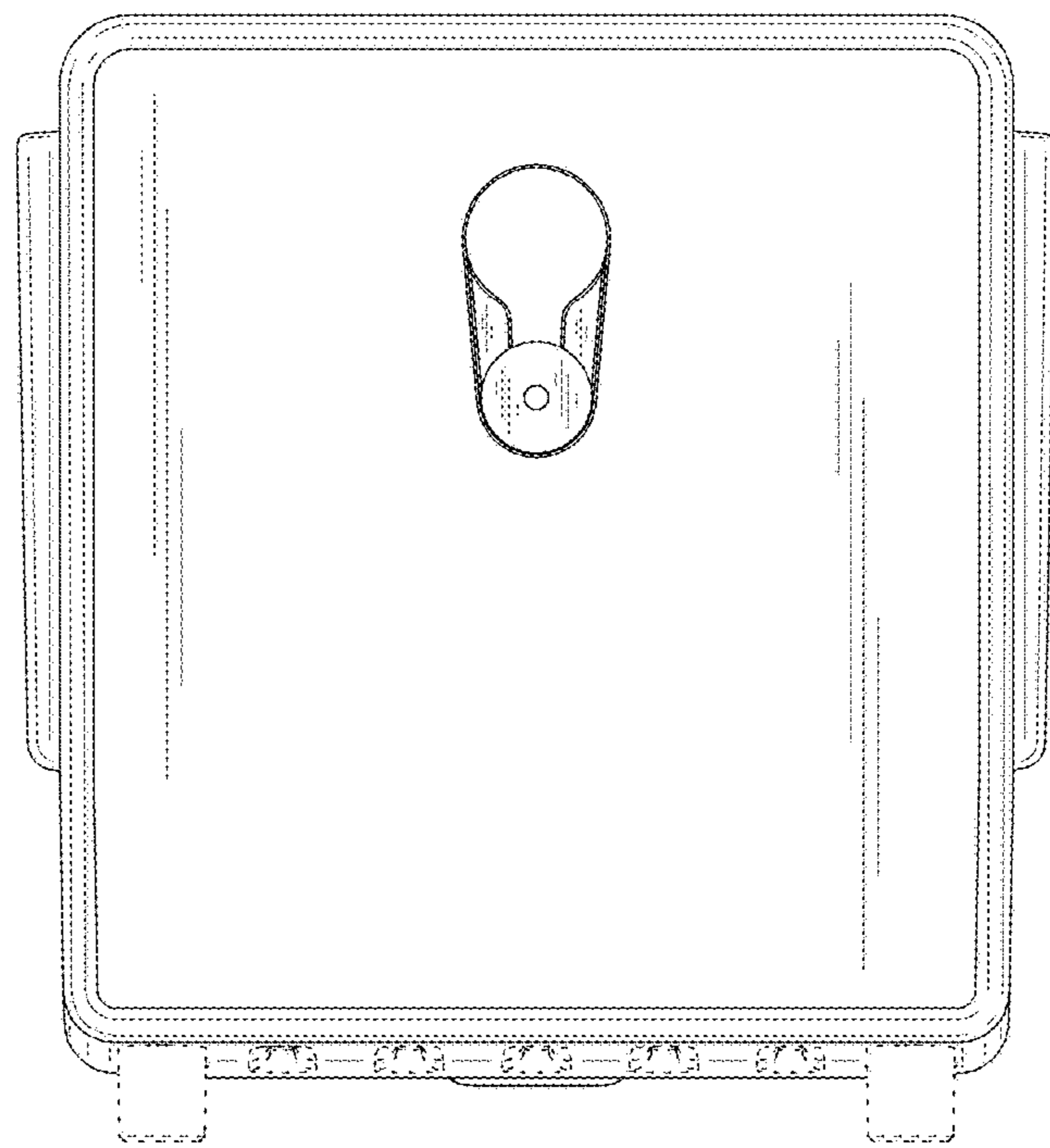


FIG. 4

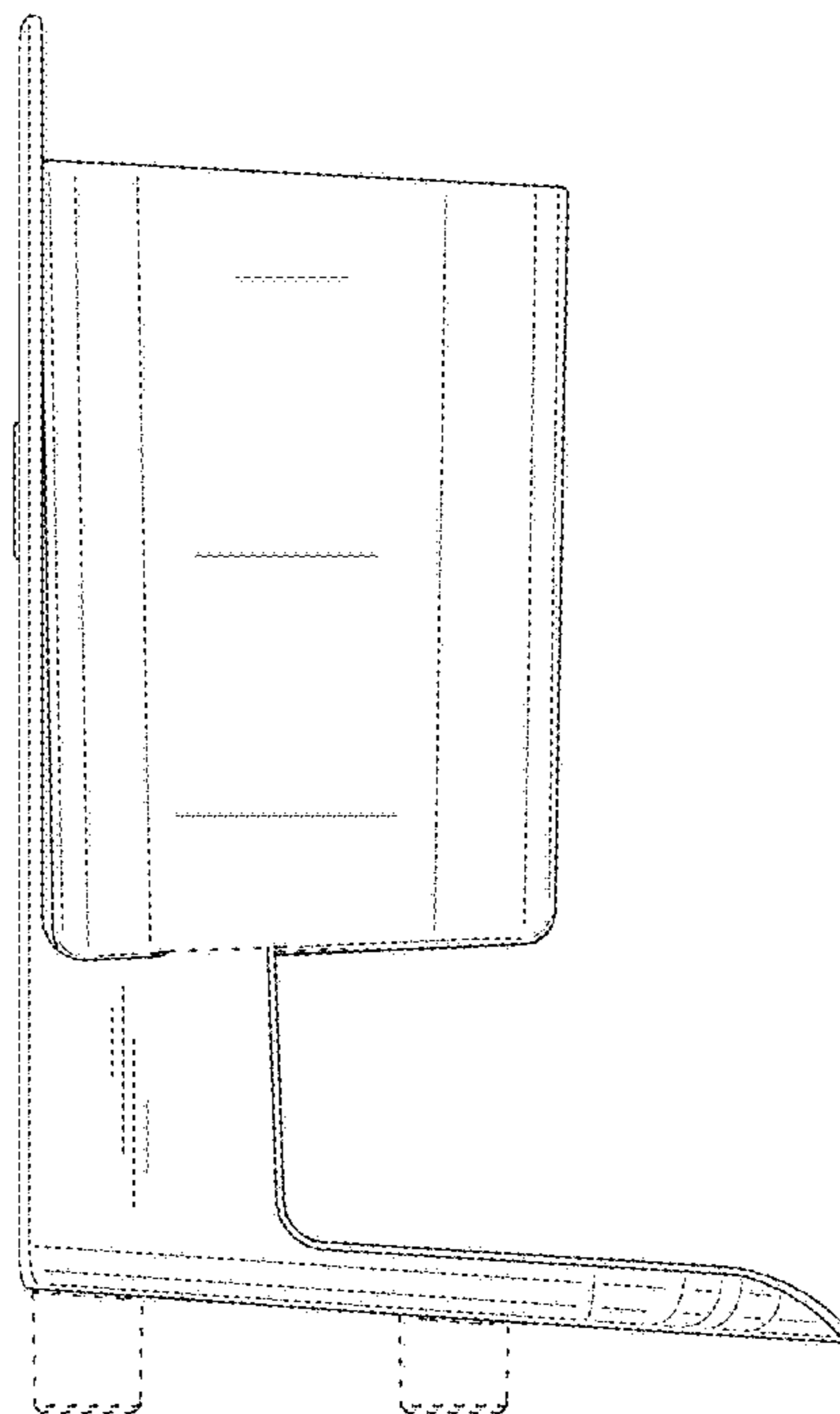


FIG. 5

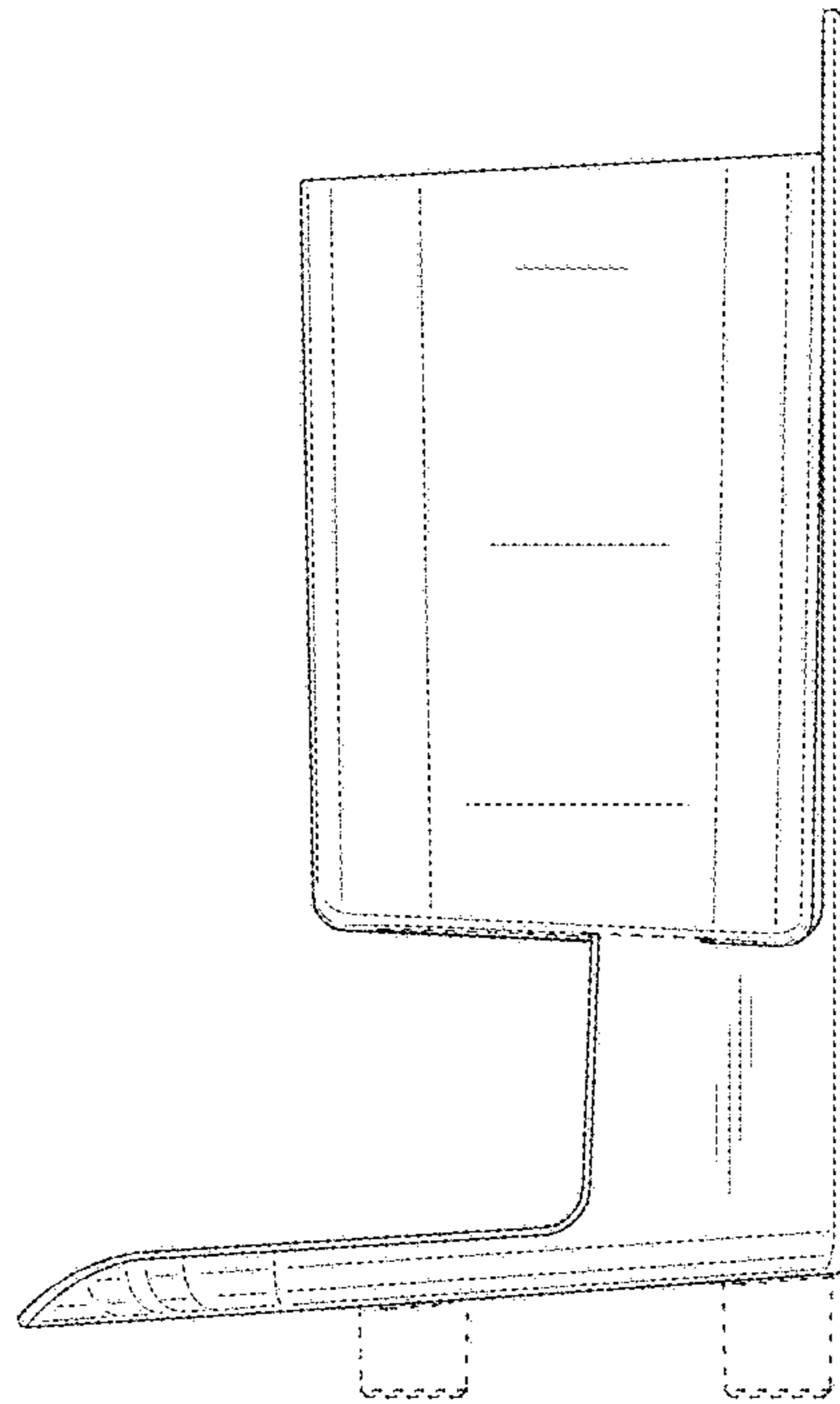


FIG. 6

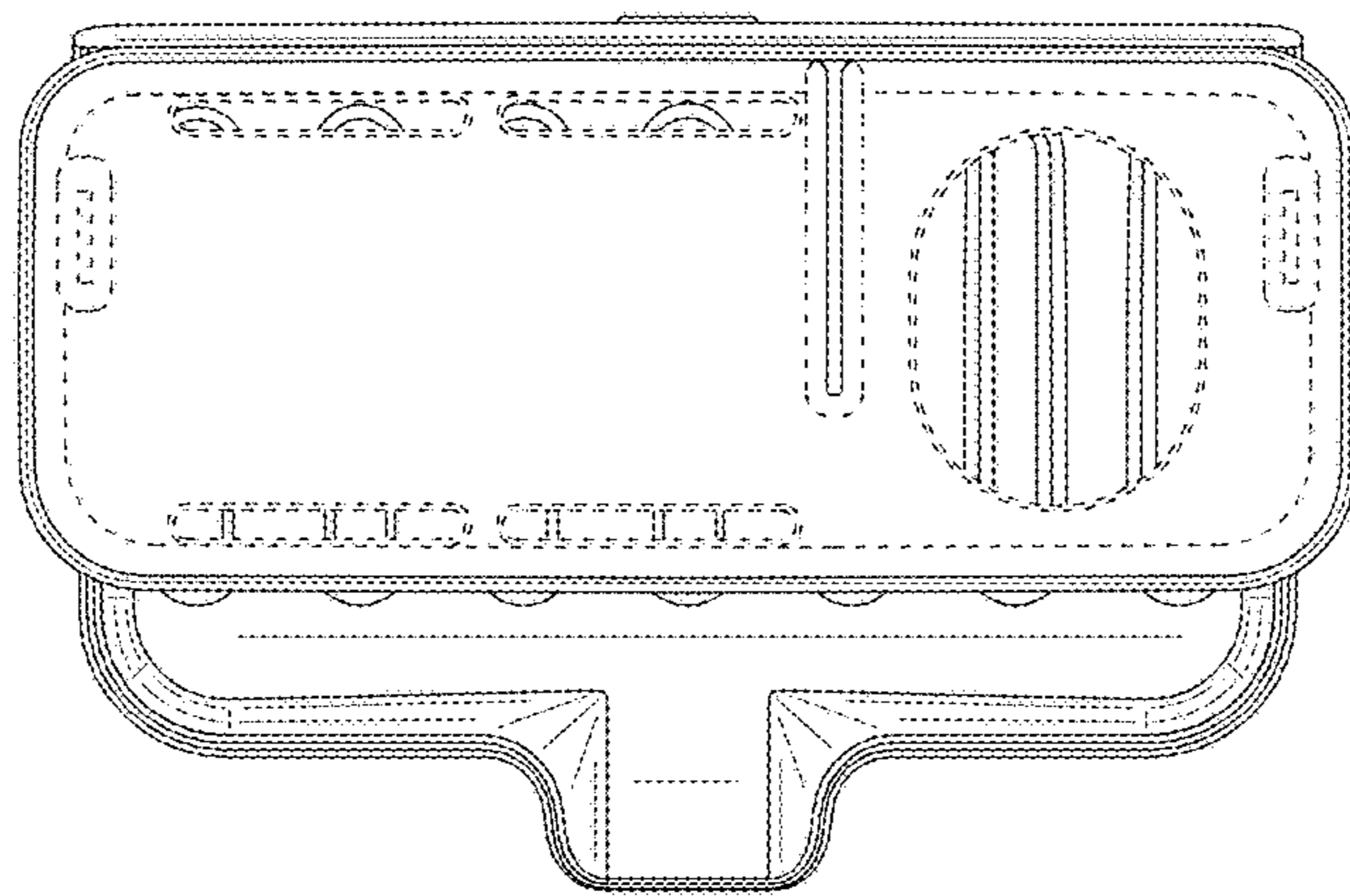


FIG. 7

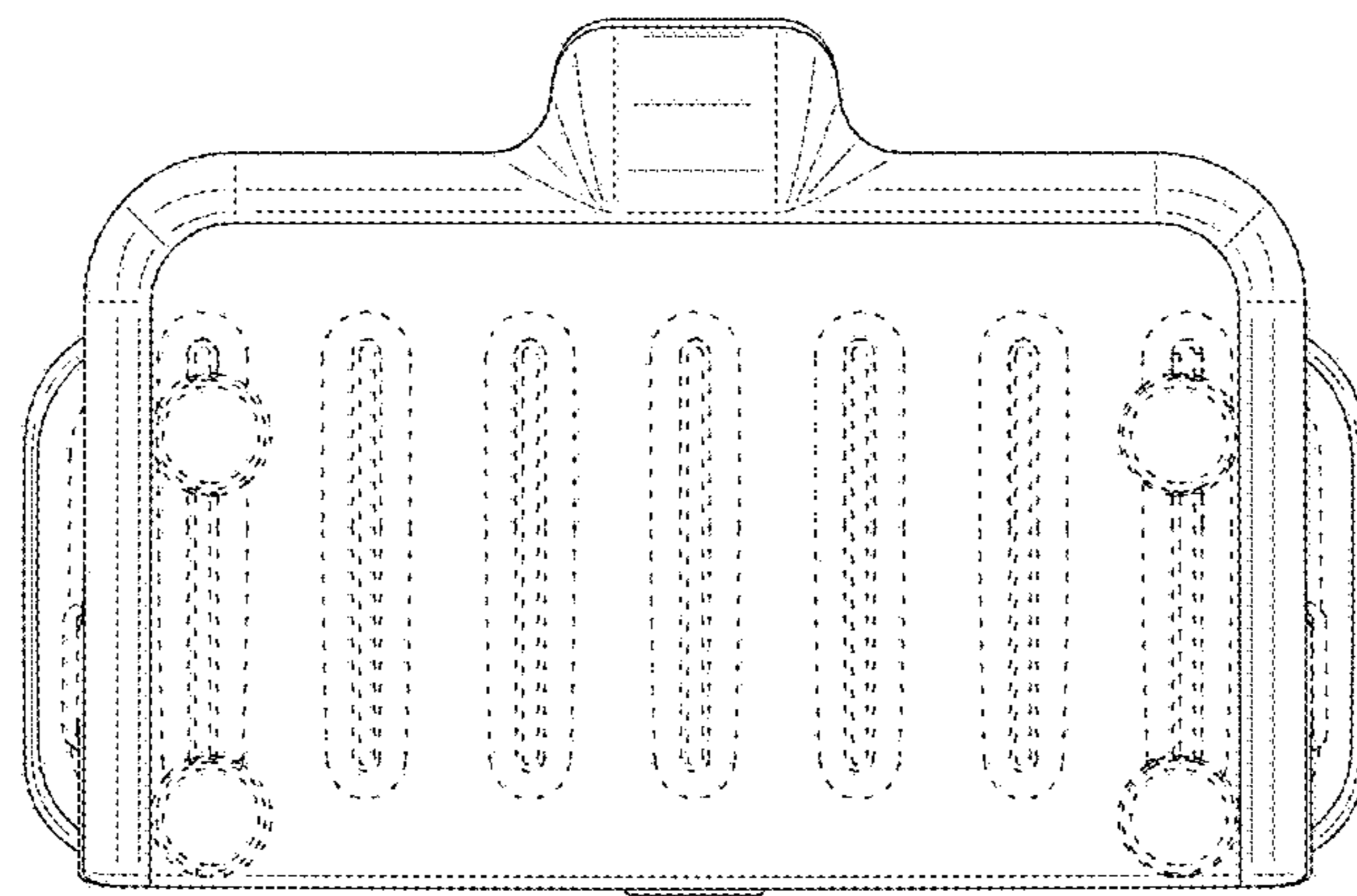


FIG. 8

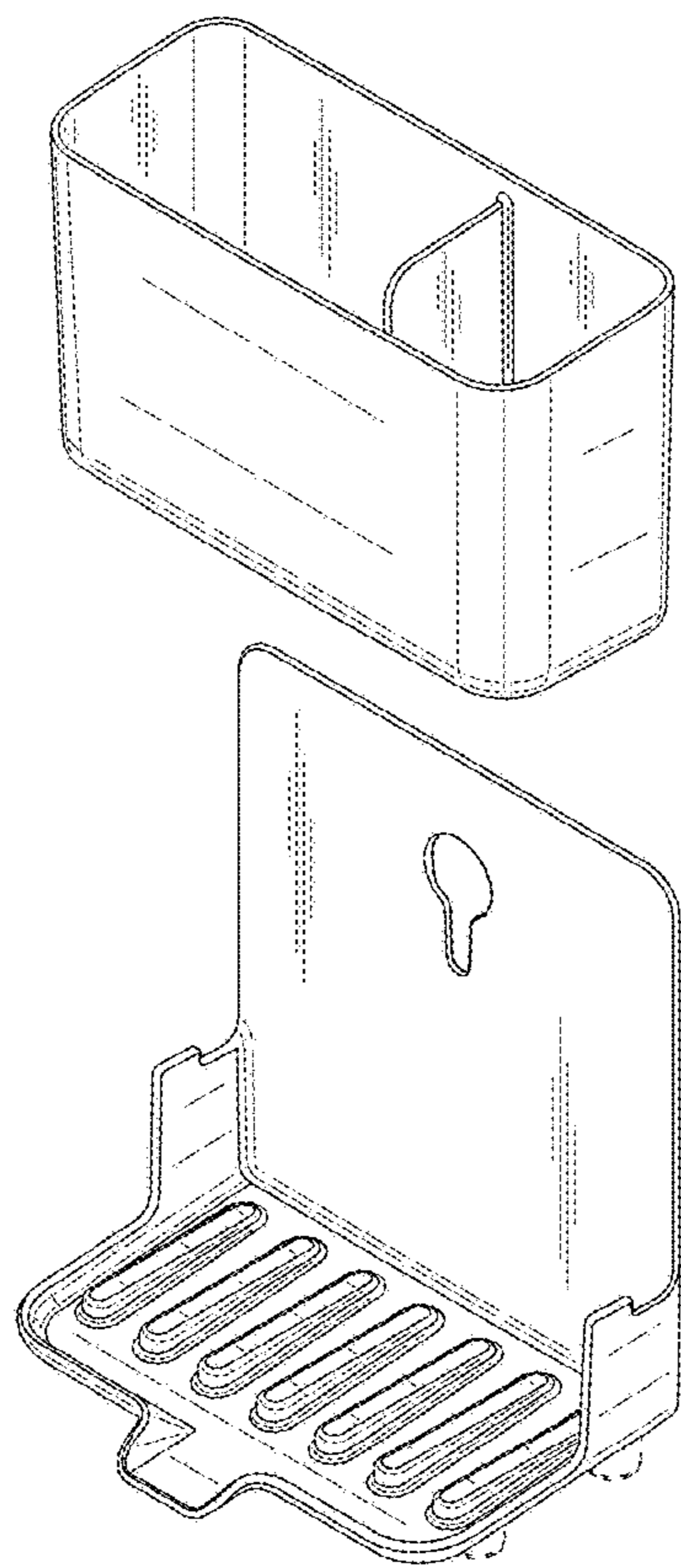


FIG. 9