



US00D845023S

(12) **United States Design Patent**  
**Garland**

(10) **Patent No.:** **US D845,023 S**

(45) **Date of Patent:** **\*\* Apr. 9, 2019**

- (54) **TISSUE HOLDER**
- (71) Applicant: **DELTA FAUCET COMPANY**,  
Indianapolis, IN (US)
- (72) Inventor: **Celine Kwok Garland**, Zionsville, IN  
(US)
- (73) Assignee: **DELTA FAUCET COMPANY**,  
Indianapolis, IN (US)
- (\*\*) Term: **15 Years**
- (21) Appl. No.: **29/634,254**
- (22) Filed: **Jan. 19, 2018**
- (51) **LOC (11) Cl.** ..... **23-02**
- (52) **U.S. Cl.**  
USPC ..... **D6/523**
- (58) **Field of Classification Search**  
USPC ..... D6/523, 546–550, 518–522; D8/300,  
D8/303, 315, 321; 16/110.1, 412, 415;  
108/28–29; 211/13.1, 16, 60.1, 100,  
211/86.01, 87.01, 88.1, 88.4, 105.1,  
211/105.2, 123, 182, 181.1; 242/570,  
242/290, 595–598; 248/175, 176.1, 251,  
248/302, 309.1  
CPC ..... A45F 2005/025; A45F 2005/027; A47K  
2010/3253; A47K 10/22; A47K 10/3836;  
A47K 10/16; A47K 10/3818; A47K  
2010/3233; B60R 7/084  
See application file for complete search history.

(56) **References Cited**

U.S. PATENT DOCUMENTS

|            |   |         |           |       |        |
|------------|---|---------|-----------|-------|--------|
| D218,331 S | * | 8/1970  | Uitz      | ..... | D6/523 |
| D304,402 S | * | 11/1989 | Van Hoose | ..... | D6/523 |
| D362,360 S | * | 9/1995  | Lehn      | ..... | D6/523 |
| D450,503 S | * | 11/2001 | Gottwald  | ..... | D6/523 |
| D452,792 S | * | 1/2002  | Gilbert   | ..... | D6/549 |

|            |   |         |                |       |        |
|------------|---|---------|----------------|-------|--------|
| D455,587 S | * | 4/2002  | Ou-Young       | ..... | D6/523 |
| D455,588 S | * | 4/2002  | Ou-Young       | ..... | D6/523 |
| D463,187 S | * | 9/2002  | Gilbert        | ..... | D6/549 |
| D477,167 S | * | 7/2003  | Hoernig        | ..... | D6/523 |
| D477,730 S | * | 7/2003  | Hoernig        | ..... | D6/521 |
| D477,731 S | * | 7/2003  | Hoernig        | ..... | D6/523 |
| D478,446 S | * | 8/2003  | Solowiej       | ..... | D6/549 |
| D486,333 S | * | 2/2004  | Hoernig        | ..... | D6/521 |
| D504,309 S | * | 4/2005  | Fuchs          | ..... | D6/523 |
| D521,294 S | * | 5/2006  | Ferrer Beltran | ..... | D6/546 |
| D523,272 S | * | 6/2006  | Ferrer Beltran | ..... | D6/546 |
| D532,228 S | * | 11/2006 | Snell          | ..... | D6/522 |
| D540,593 S | * | 4/2007  | Hoernig        | ..... | D6/523 |
| D559,599 S | * | 1/2008  | Bickler        | ..... | D6/523 |
| D639,590 S | * | 6/2011  | Sakuma         | ..... | D6/523 |
| D664,797 S | * | 8/2012  | Kwok           | ..... | D6/523 |
| D731,202 S | * | 6/2015  | Newson         | ..... | D6/523 |
| D771,405 S | * | 11/2016 | Garland        | ..... | D6/523 |
| D790,874 S | * | 7/2017  | Eads           | ..... | D6/523 |
| D822,404 S | * | 7/2018  | Eads           | ..... | D6/523 |

(Continued)

*Primary Examiner* — David G Muller

*Assistant Examiner* — Nathan M Johnston

(74) *Attorney, Agent, or Firm* — Edgar A. Zarins; Nirav D. Parikh

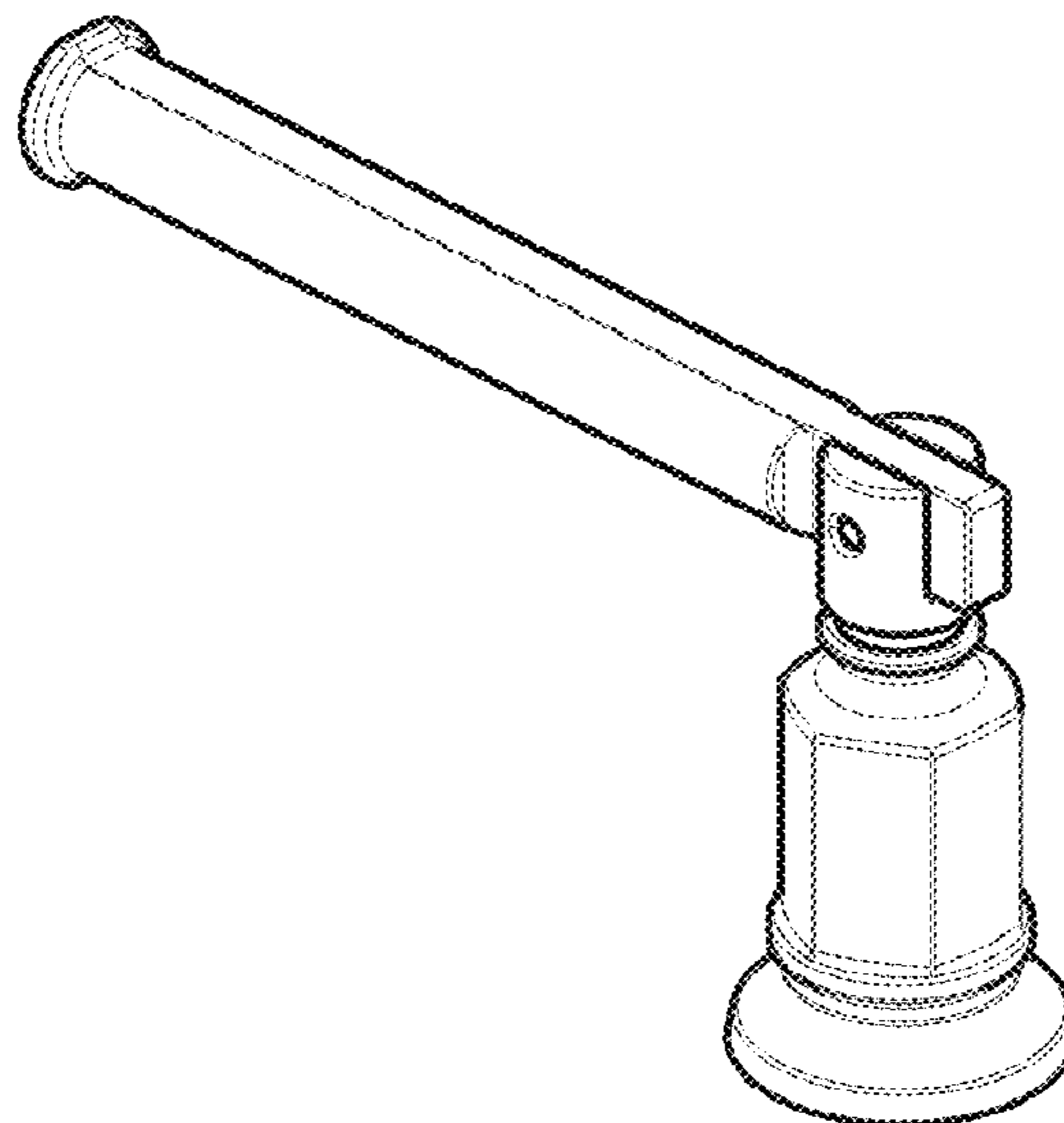
(57) **CLAIM**

The ornamental design for a tissue holder, as shown and described.

**DESCRIPTION**

FIG. 1 is a front perspective view of a tissue holder showing my new design;  
 FIG. 2 is a rear perspective view thereof;  
 FIG. 3 is a front elevational view thereof;  
 FIG. 4 is a left side view thereof;  
 FIG. 5 is a rear view thereof;  
 FIG. 6 is a right side view thereof;  
 FIG. 7 is a top plan view thereof; and,  
 FIG. 8 is a bottom view thereof.

**1 Claim, 4 Drawing Sheets**



(56)

**References Cited**

U.S. PATENT DOCUMENTS

2007/0205318 A1\* 9/2007 Burnett ..... A47K 10/3836  
242/597.5

\* cited by examiner

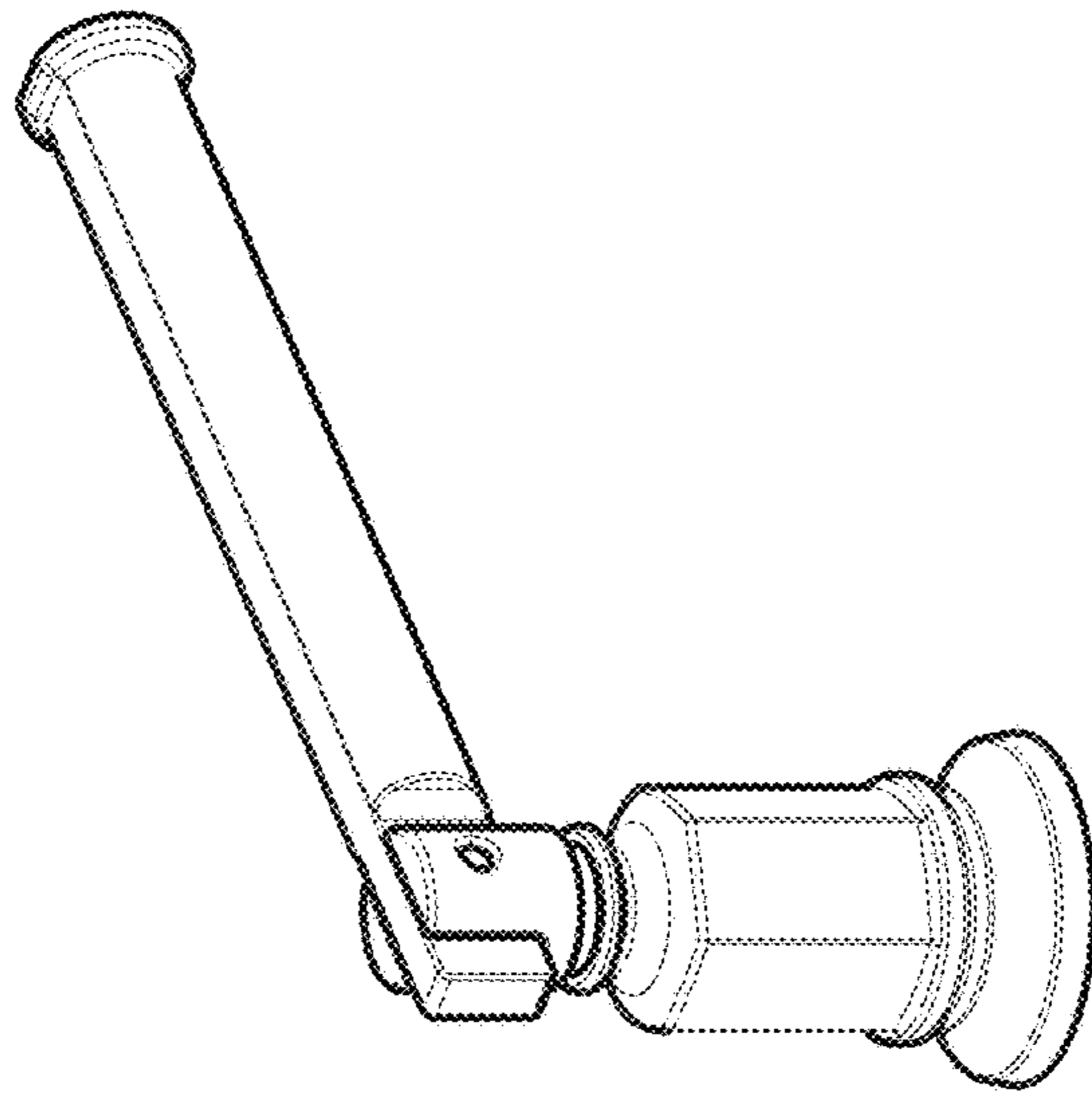


FIG - 2

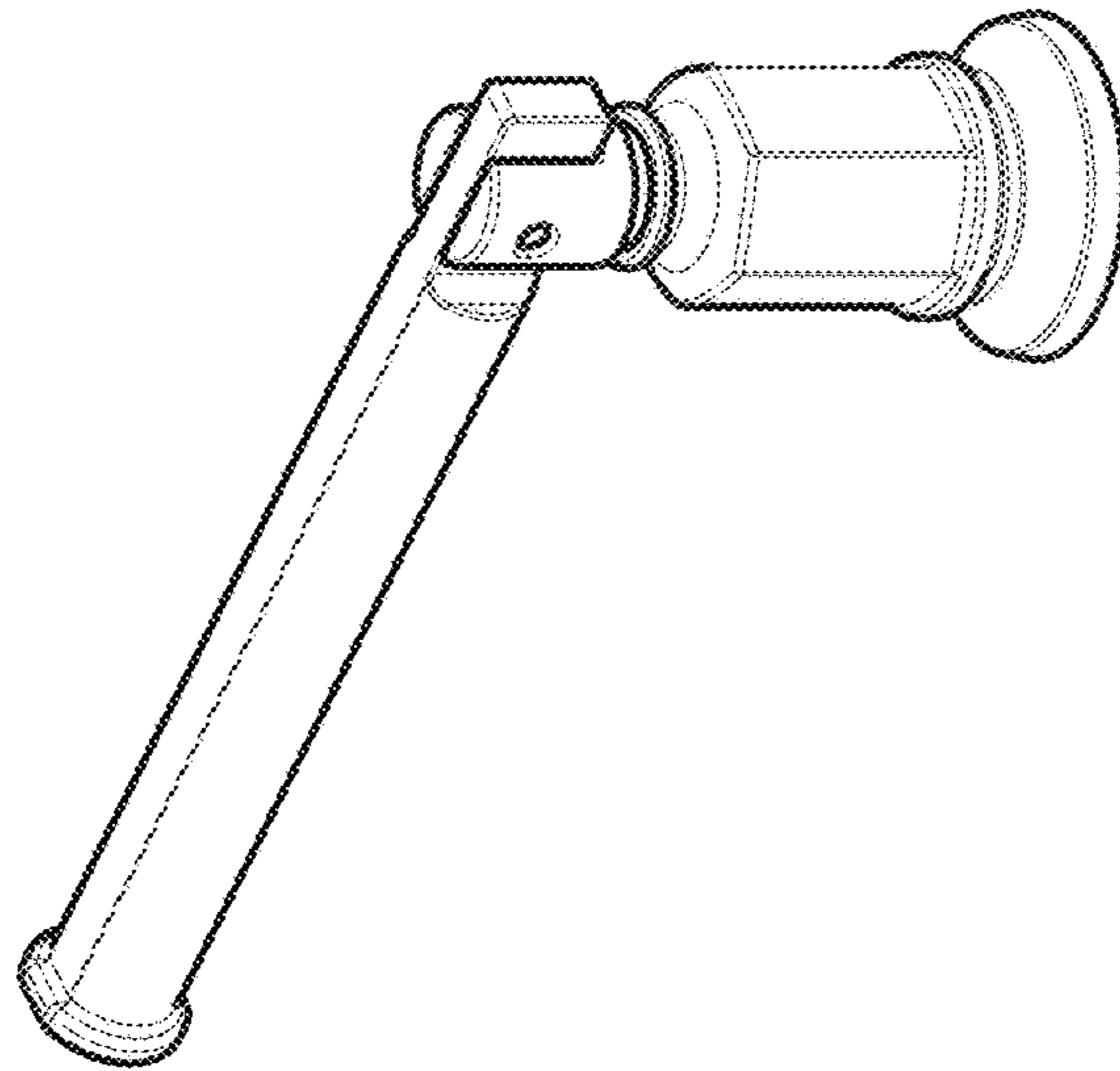


FIG - 1

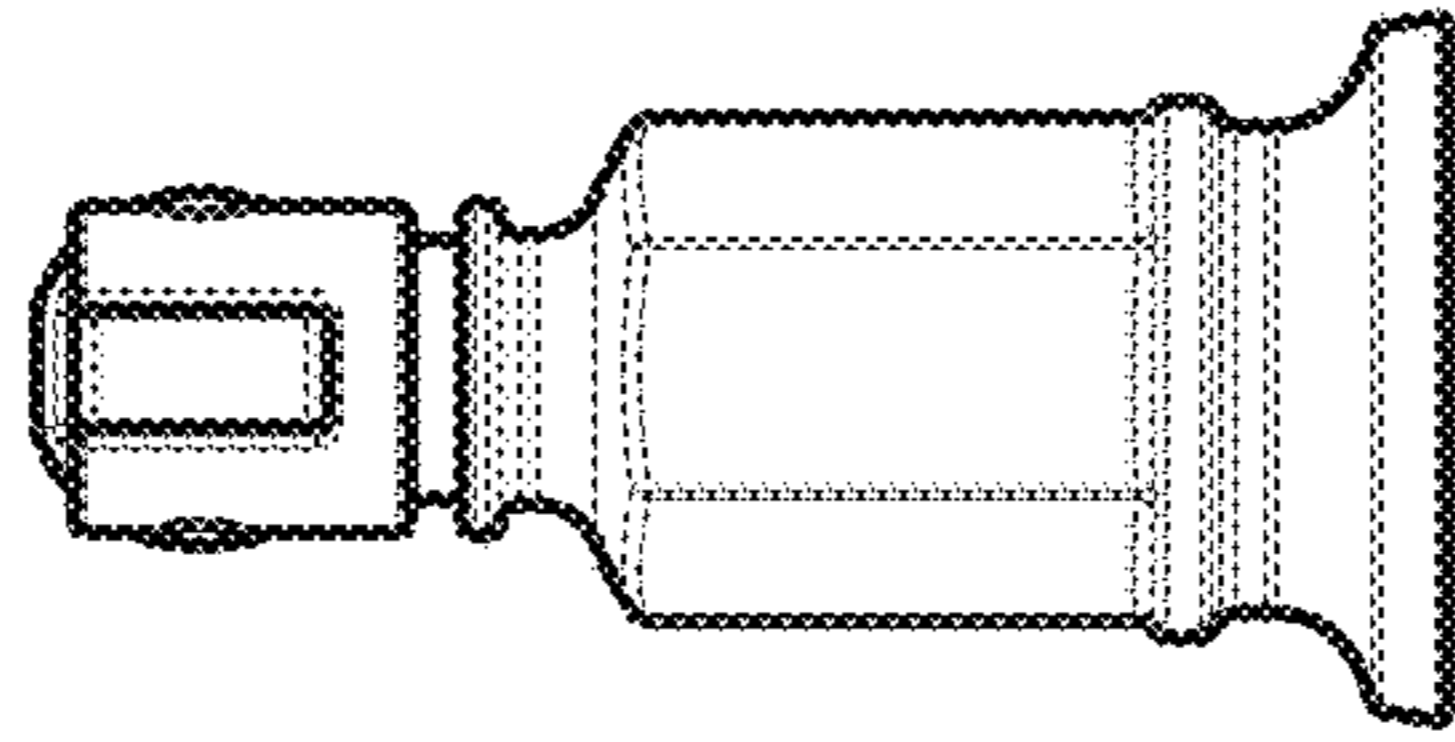


FIG - 4

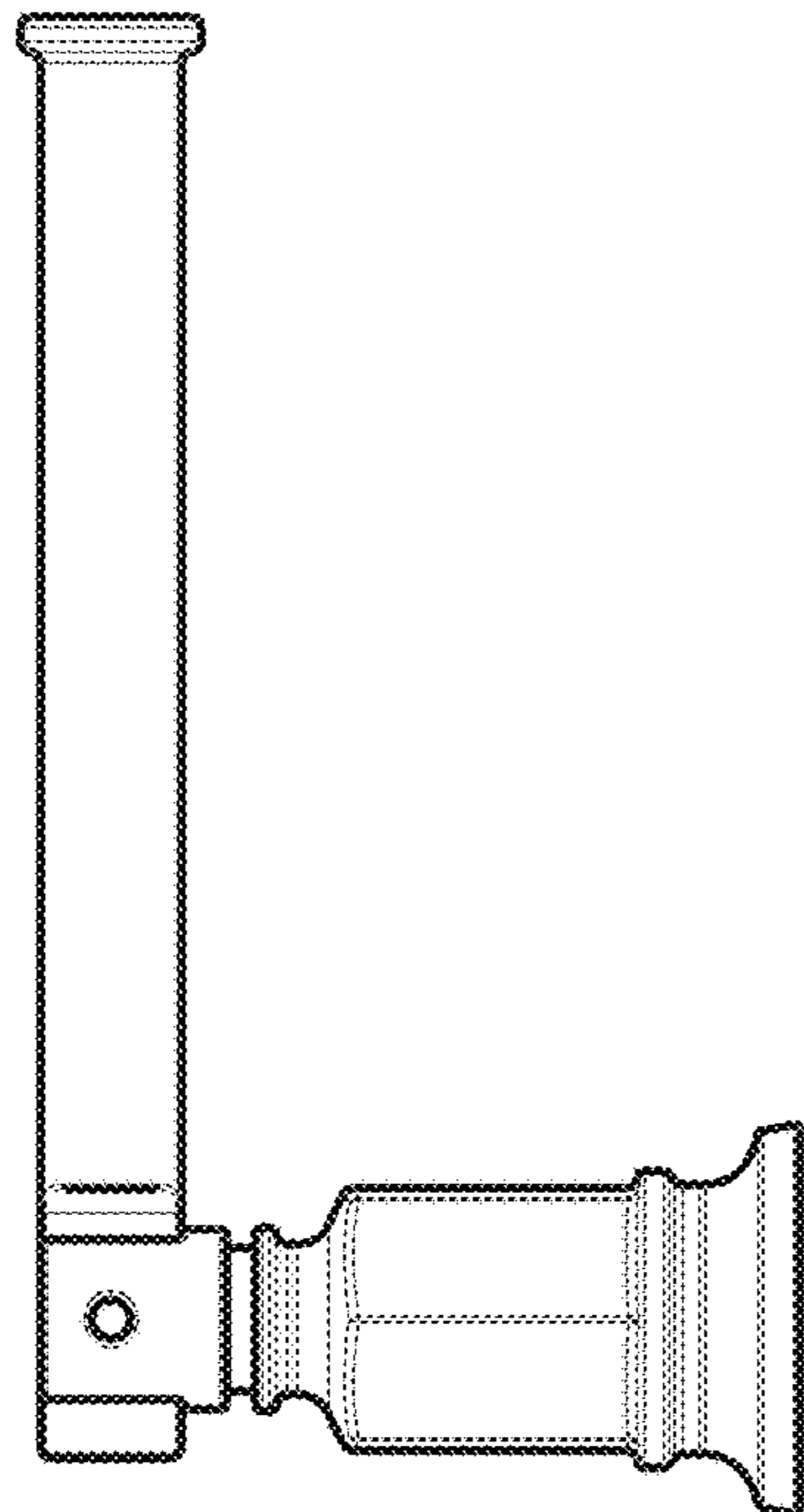


FIG - 3

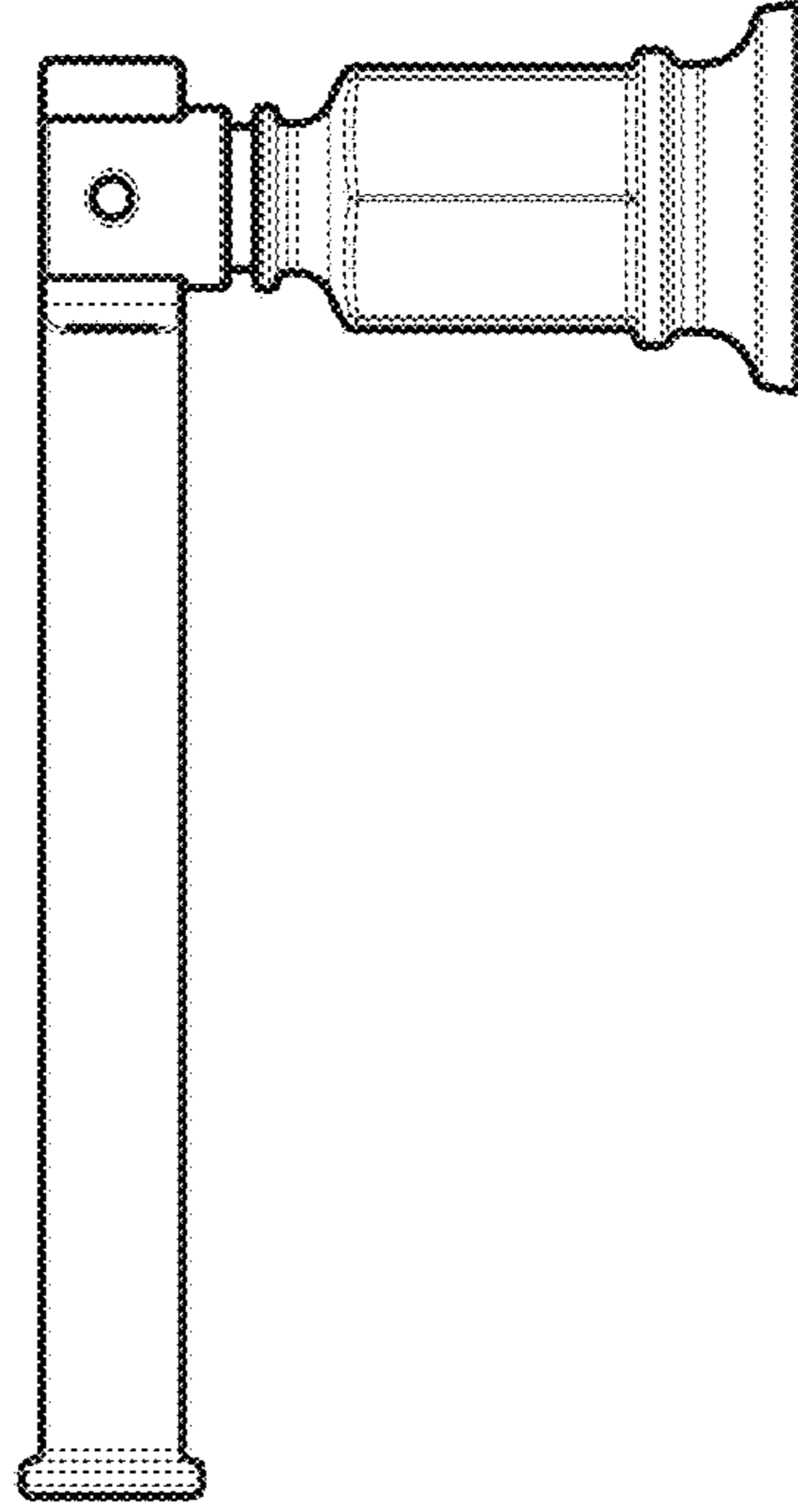


FIG - 6

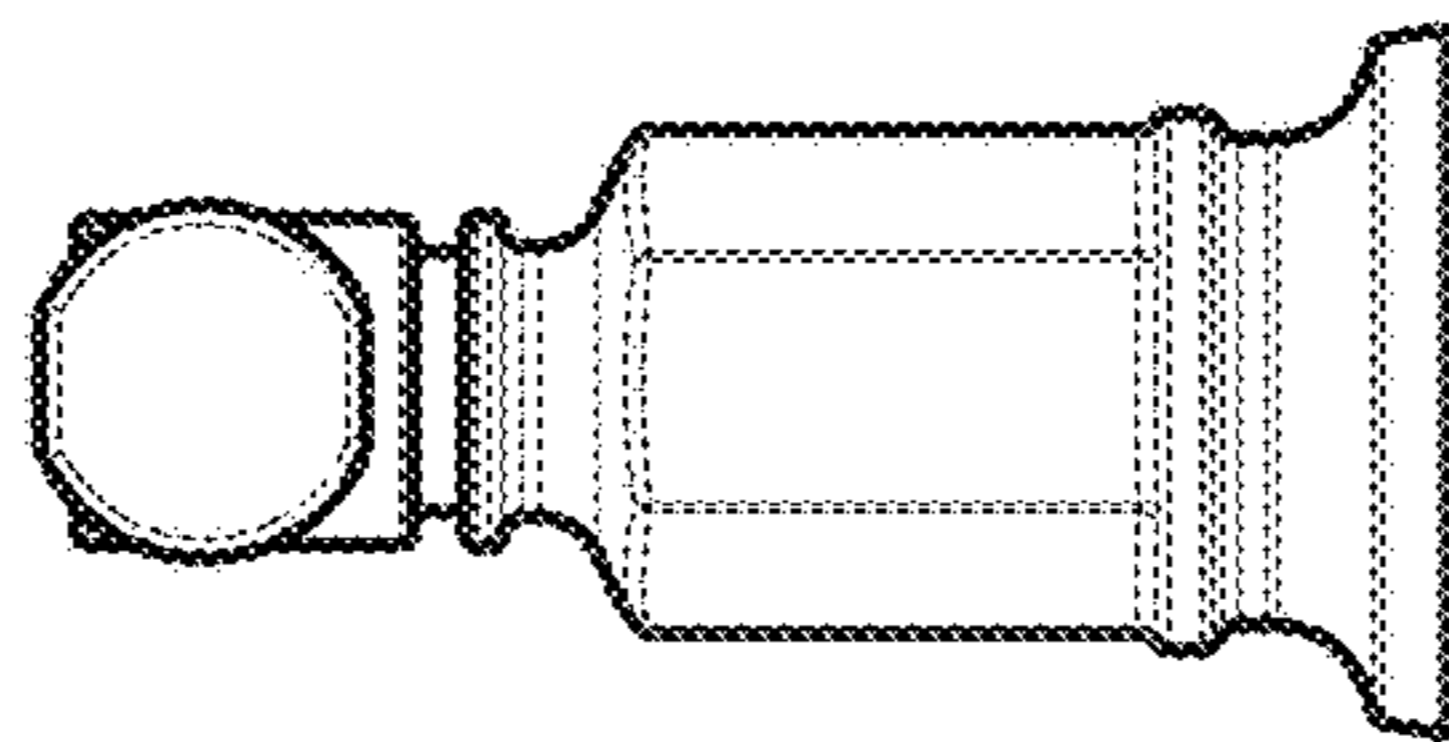


FIG - 5

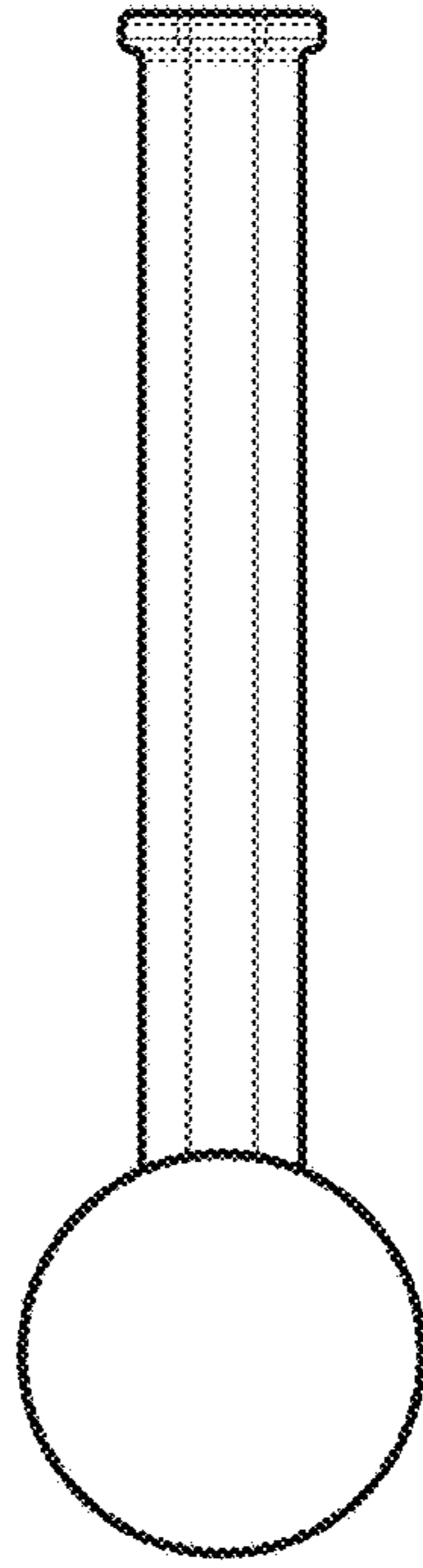


FIG - 8

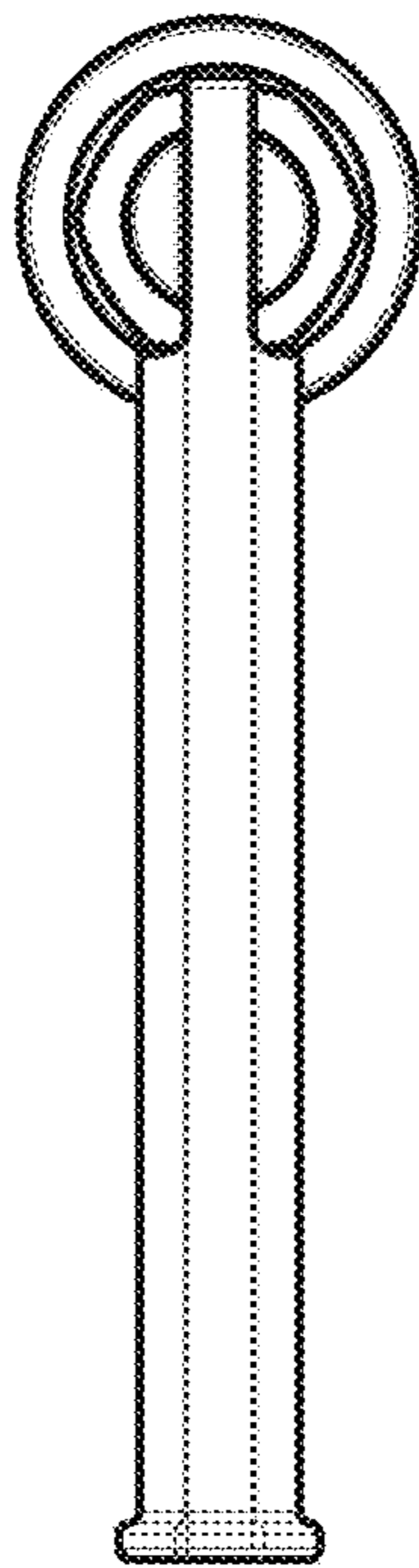


FIG - 7