



US00D845019S

(12) **United States Design Patent**
Fredriksson

(10) **Patent No.:** **US D845,019 S**

(45) **Date of Patent:** **** Apr. 9, 2019**

(54) **OUTDOOR SOFA**

(71) Applicant: **Inter IKEA Systems B.V.**, LN Delft (NL)

(72) Inventor: **Andreas Fredriksson**, Älmhult (SE)

(73) Assignee: **Inter IKEA Systems B.V.**, LN Delft (NL)

(**) Term: **15 Years**

(21) Appl. No.: **29/642,180**

(22) Filed: **Mar. 28, 2018**

(51) **LOC (11) Cl.** **06-01**

(52) **U.S. Cl.**
USPC **D6/371**

(58) **Field of Classification Search**
USPC D6/334-336, 369, 371, 373, 374, 375,
D6/379, 381, 716, 716.1, 716.2, 716.3,
D6/716.4
CPC A47C 4/028; A47C 5/04; A47C 7/021;
A47C 7/18; A47C 7/24; A47C 7/16;
A47C 11/00

See application file for complete search history.

(56) **References Cited**

U.S. PATENT DOCUMENTS

D209,821 S * 1/1968 Melchior D6/371
D221,937 S * 9/1971 Gibson D6/371

3,700,282 A * 10/1972 Rowland A47C 4/028
297/232
D234,988 S * 4/1975 Lopez-Benitez D6/334
D588,825 S * 3/2009 van Ierssel D6/369
D625,117 S * 10/2010 Houriet D6/379
D682,572 S * 5/2013 Digirolamo D6/371
D811,108 S * 2/2018 Hiyoshi D6/375
D811,109 S * 2/2018 Hiyoshi D6/375
D823,019 S * 7/2018 Pila Gonzalez D6/371
D830,752 S * 10/2018 Hiyoshi D6/716

* cited by examiner

Primary Examiner — Mimoso De

(74) *Attorney, Agent, or Firm* — Tucker Ellis LLP

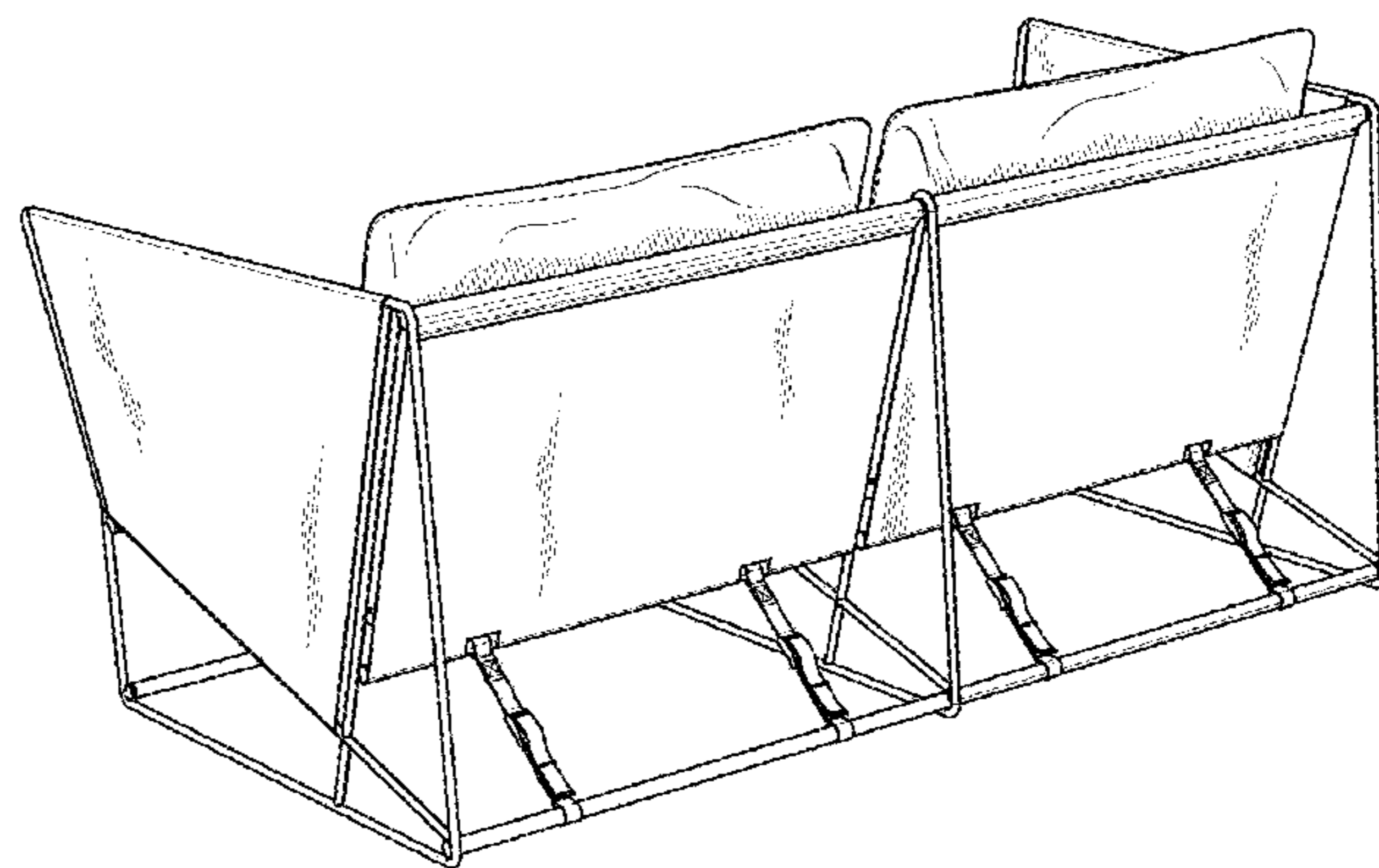
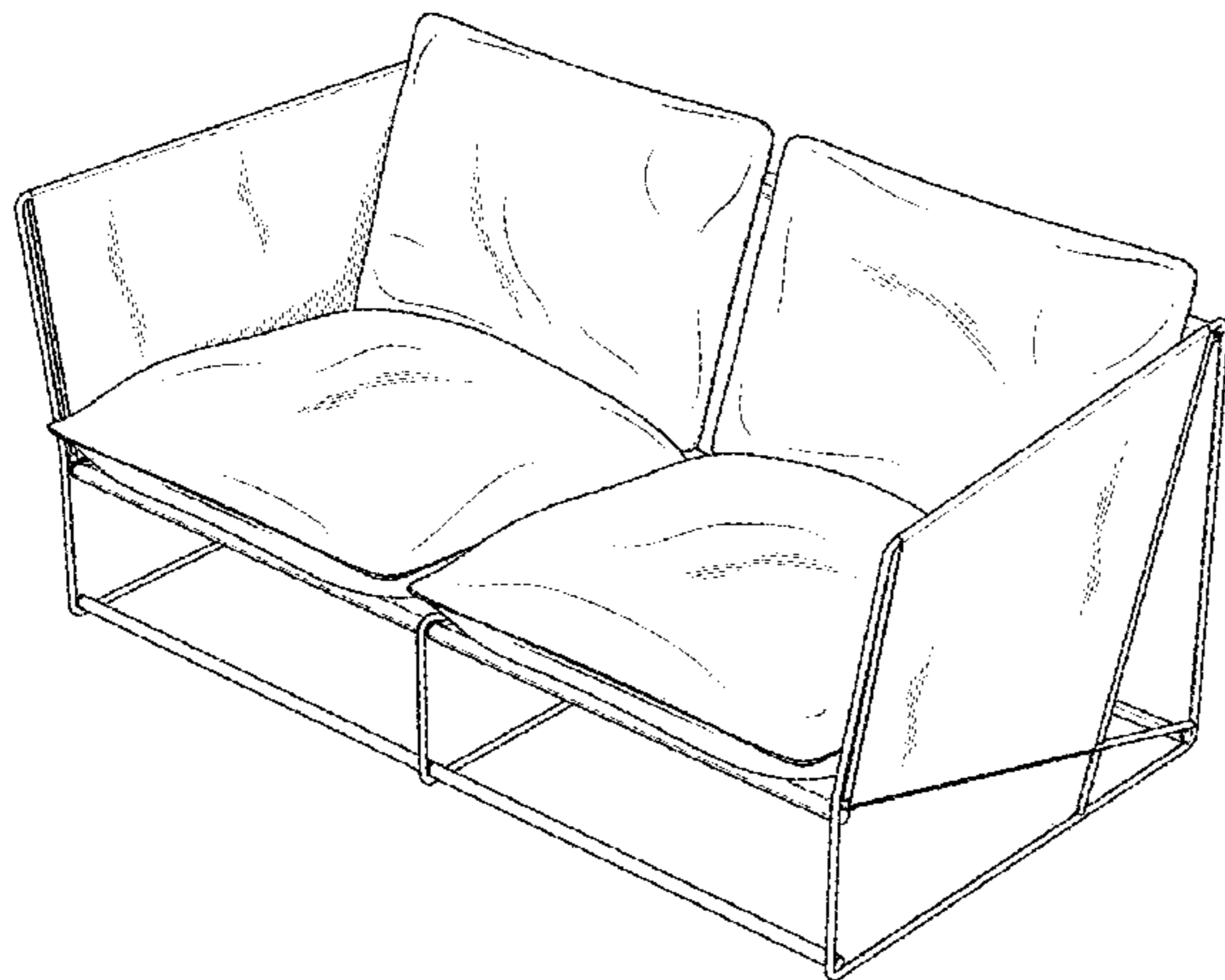
(57) **CLAIM**

The ornamental design for an outdoor sofa, as shown and described.

DESCRIPTION

FIG. 1 is a front-top-right perspective view of an outdoor sofa showing my new design;
FIG. 2 is a rear-top-right perspective view thereof;
FIG. 3 is a front view thereof;
FIG. 4 is a rear view thereof;
FIG. 5 is a top view thereof;
FIG. 6 is a bottom view thereof;
FIG. 7 is a left side view thereof; and,
FIG. 8 is a right side view thereof.

1 Claim, 4 Drawing Sheets



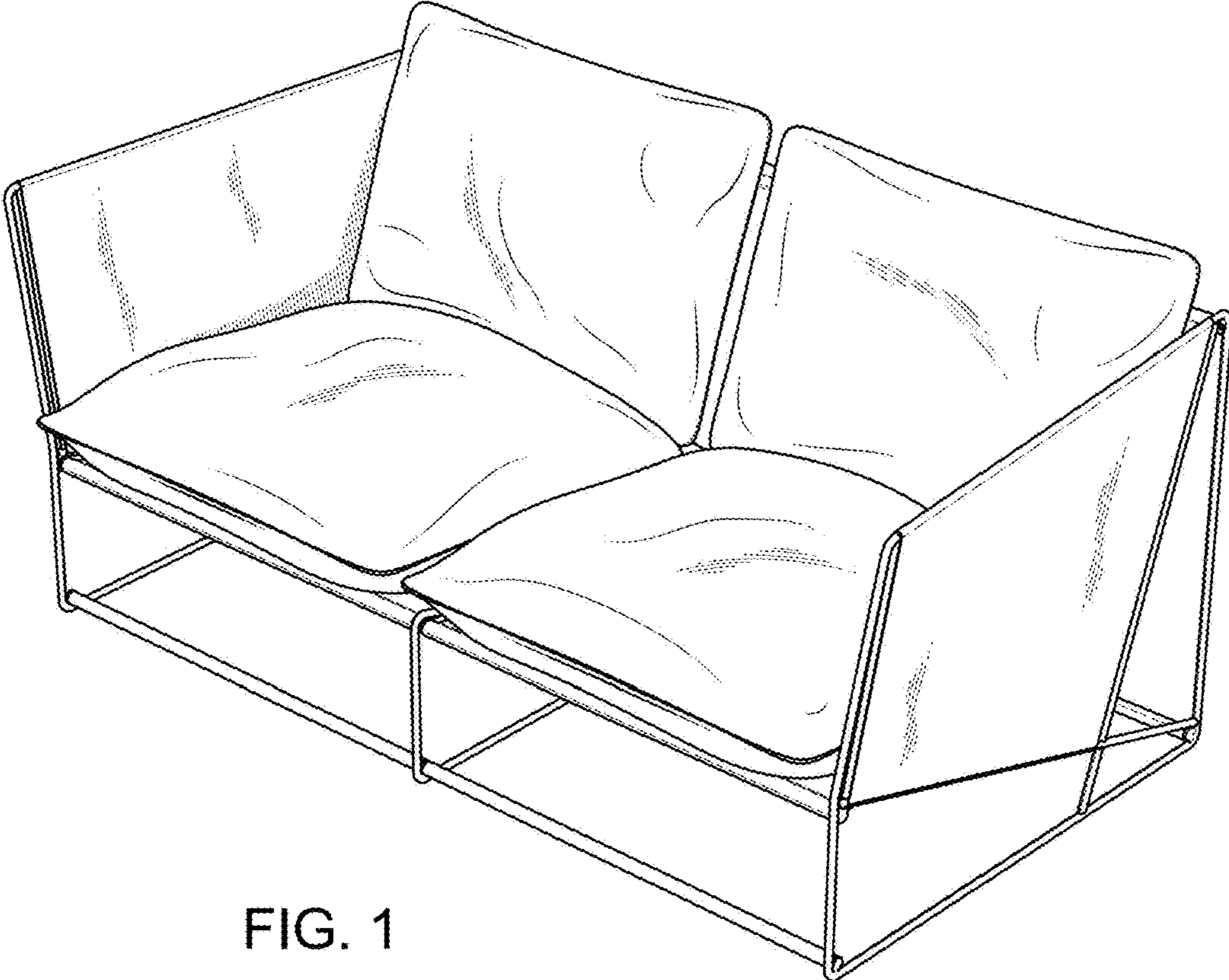


FIG. 1

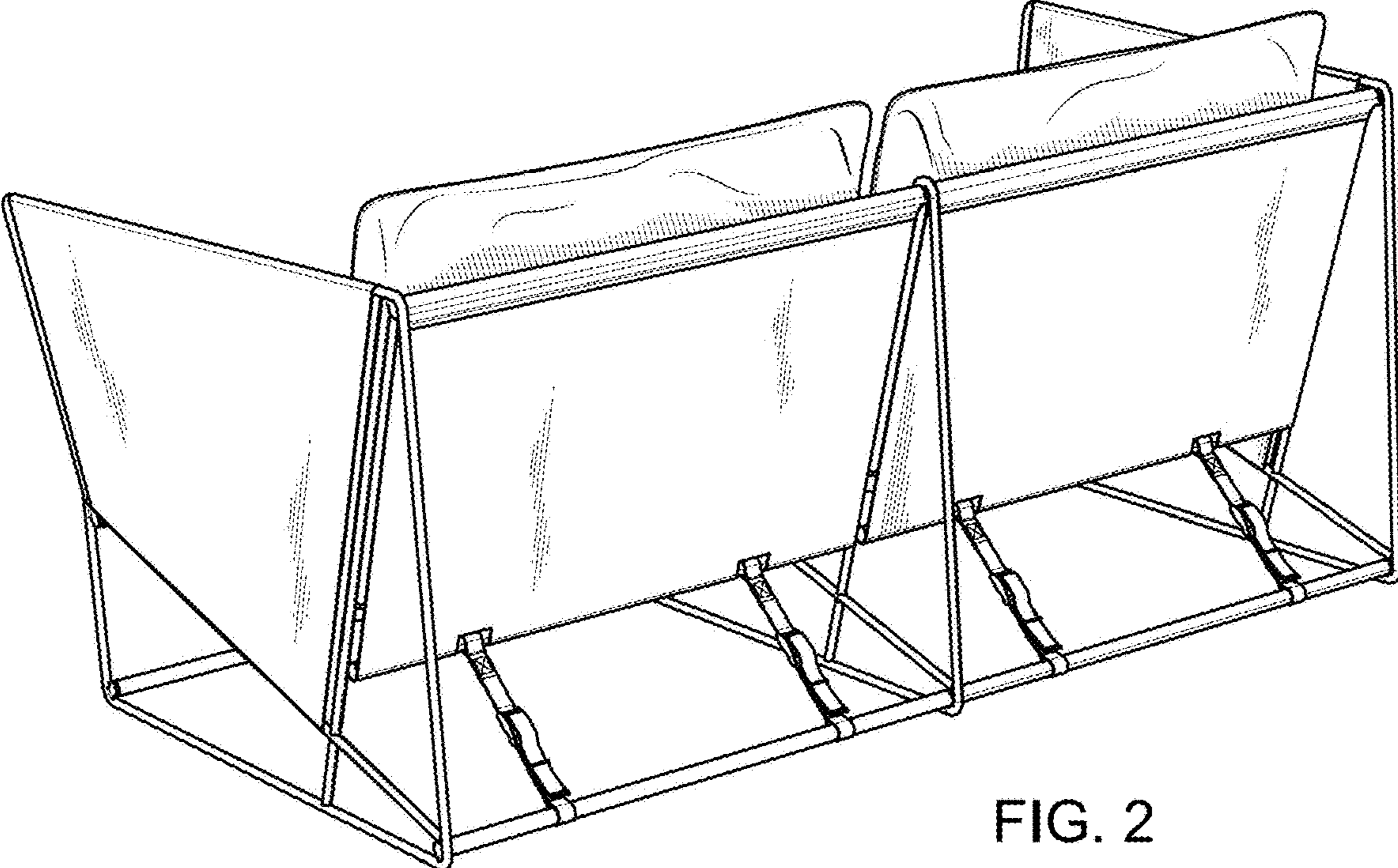


FIG. 2

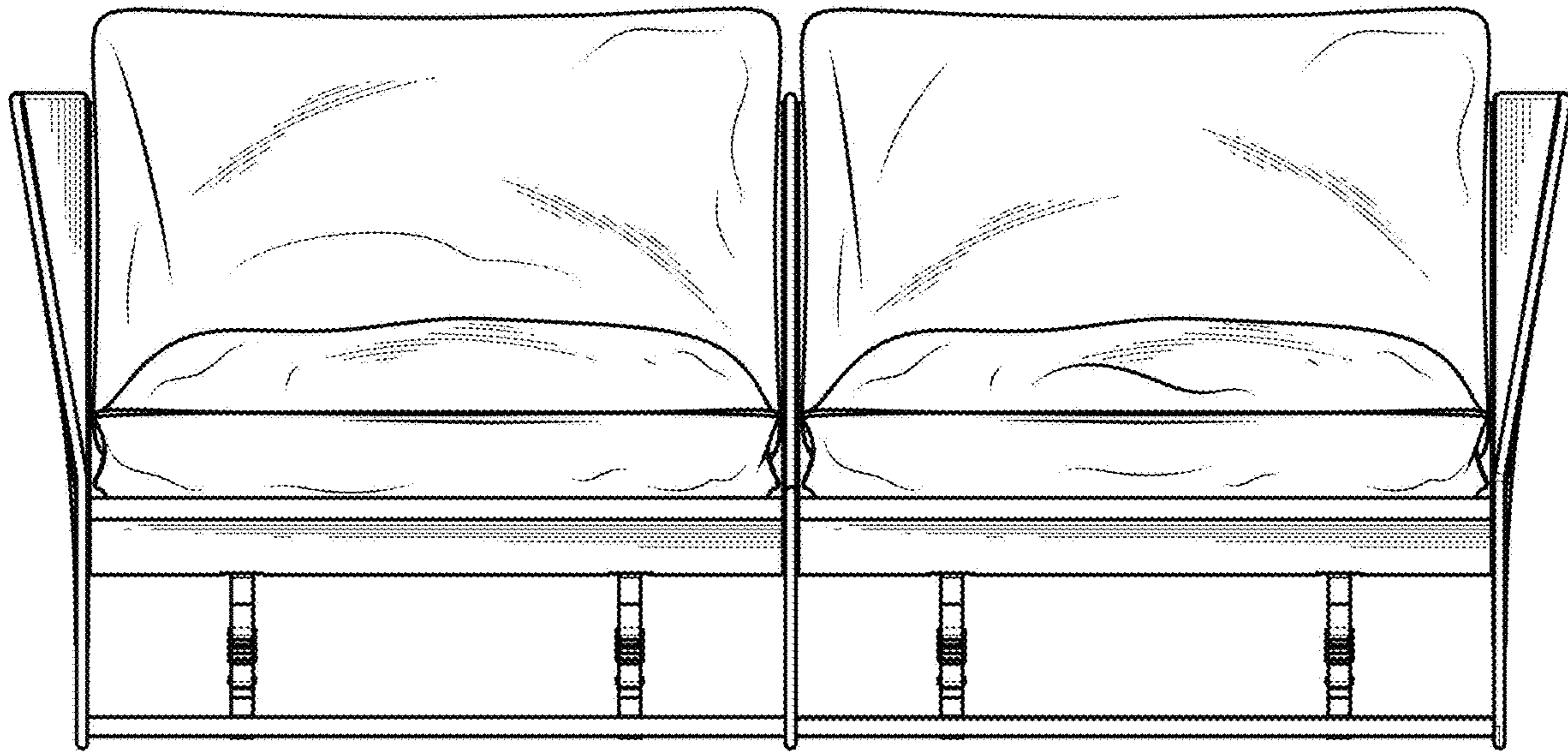


FIG. 3

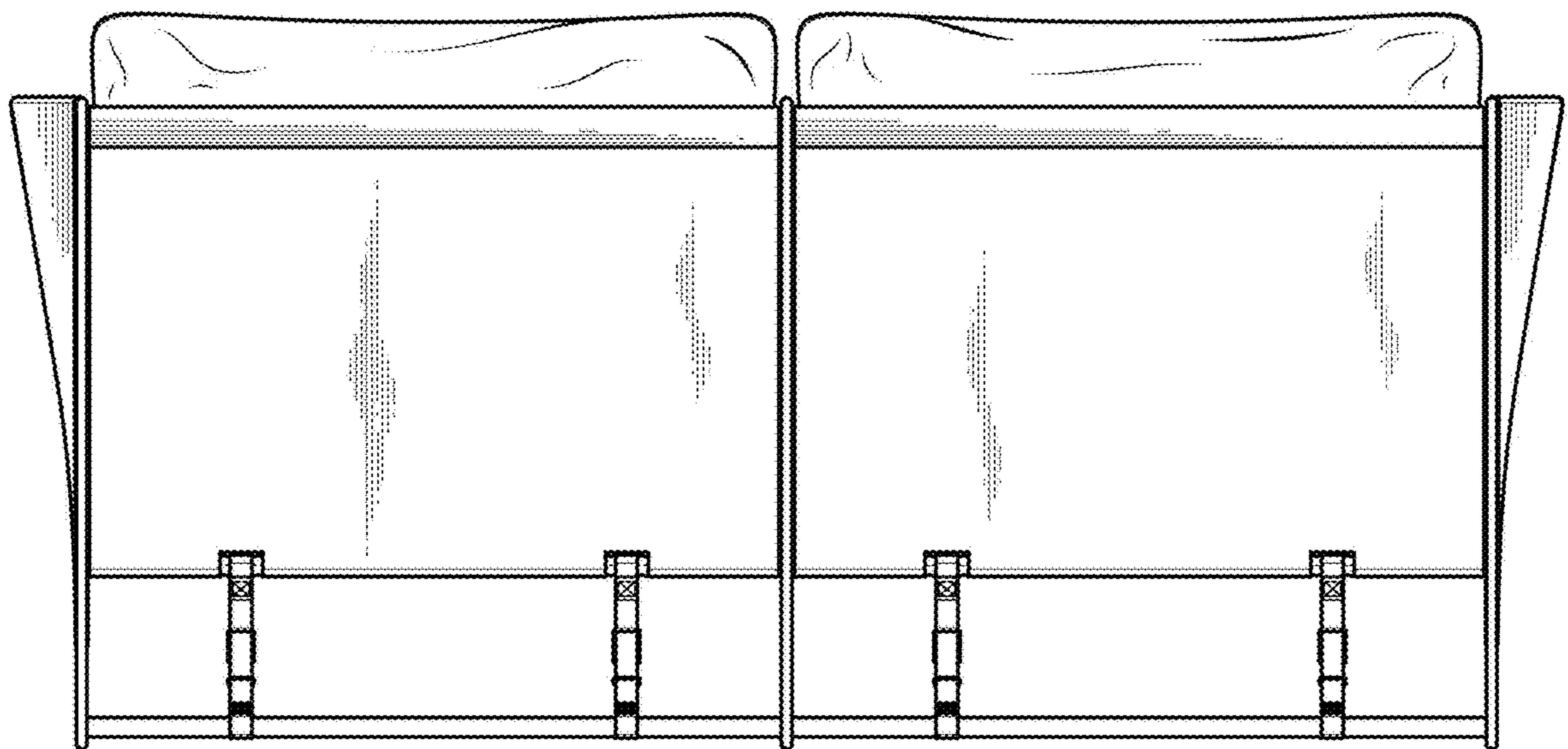


FIG. 4

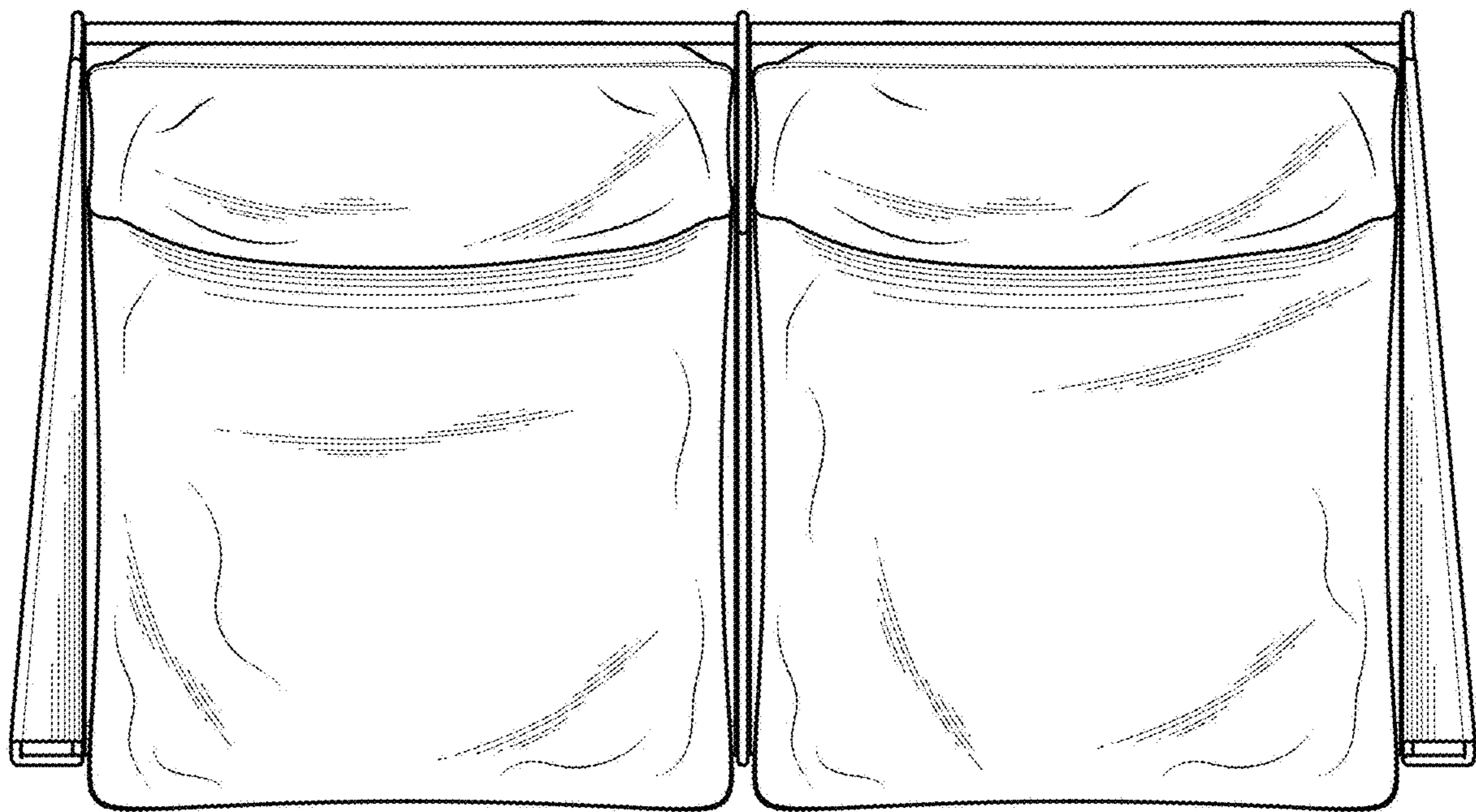


FIG. 5

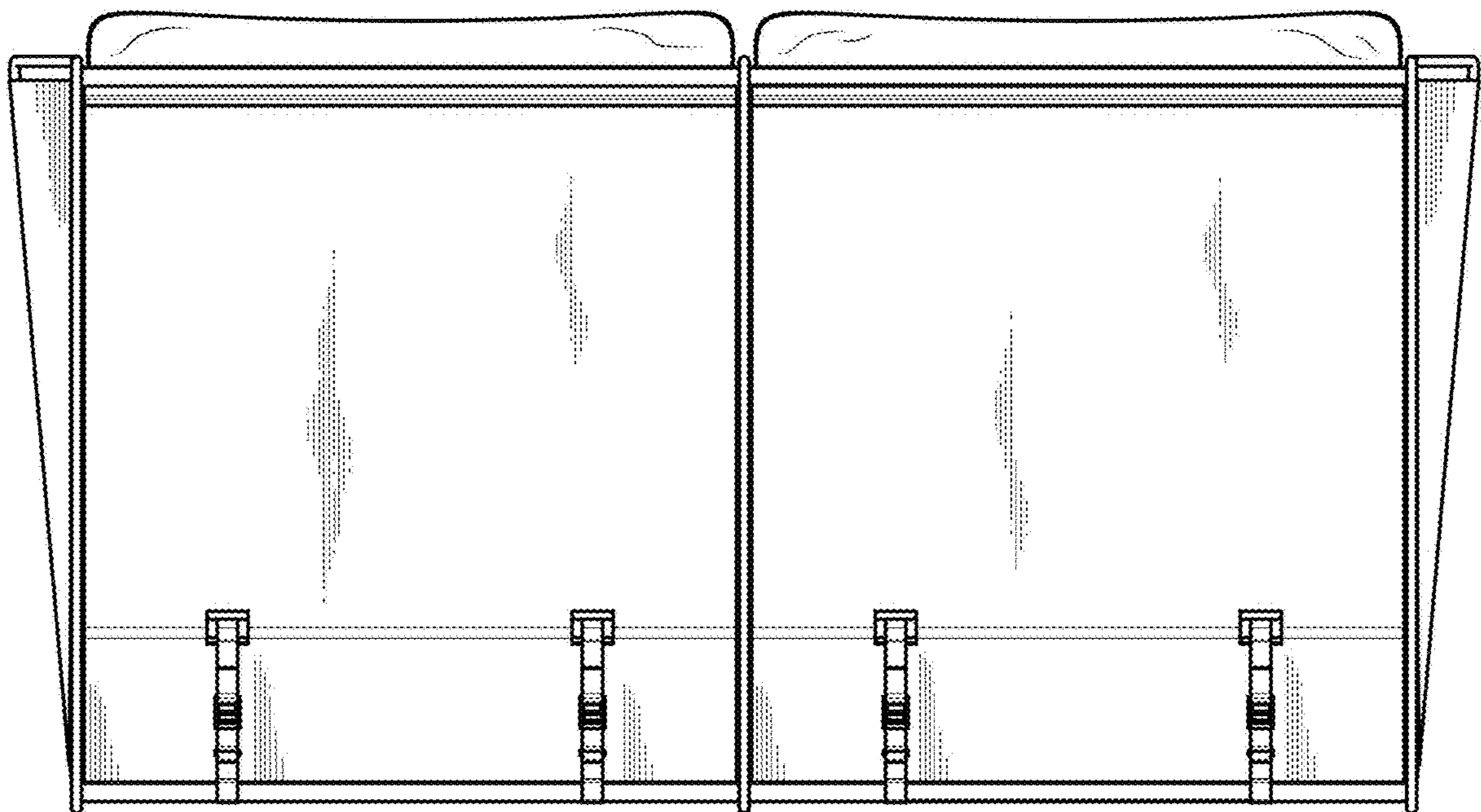


FIG. 6

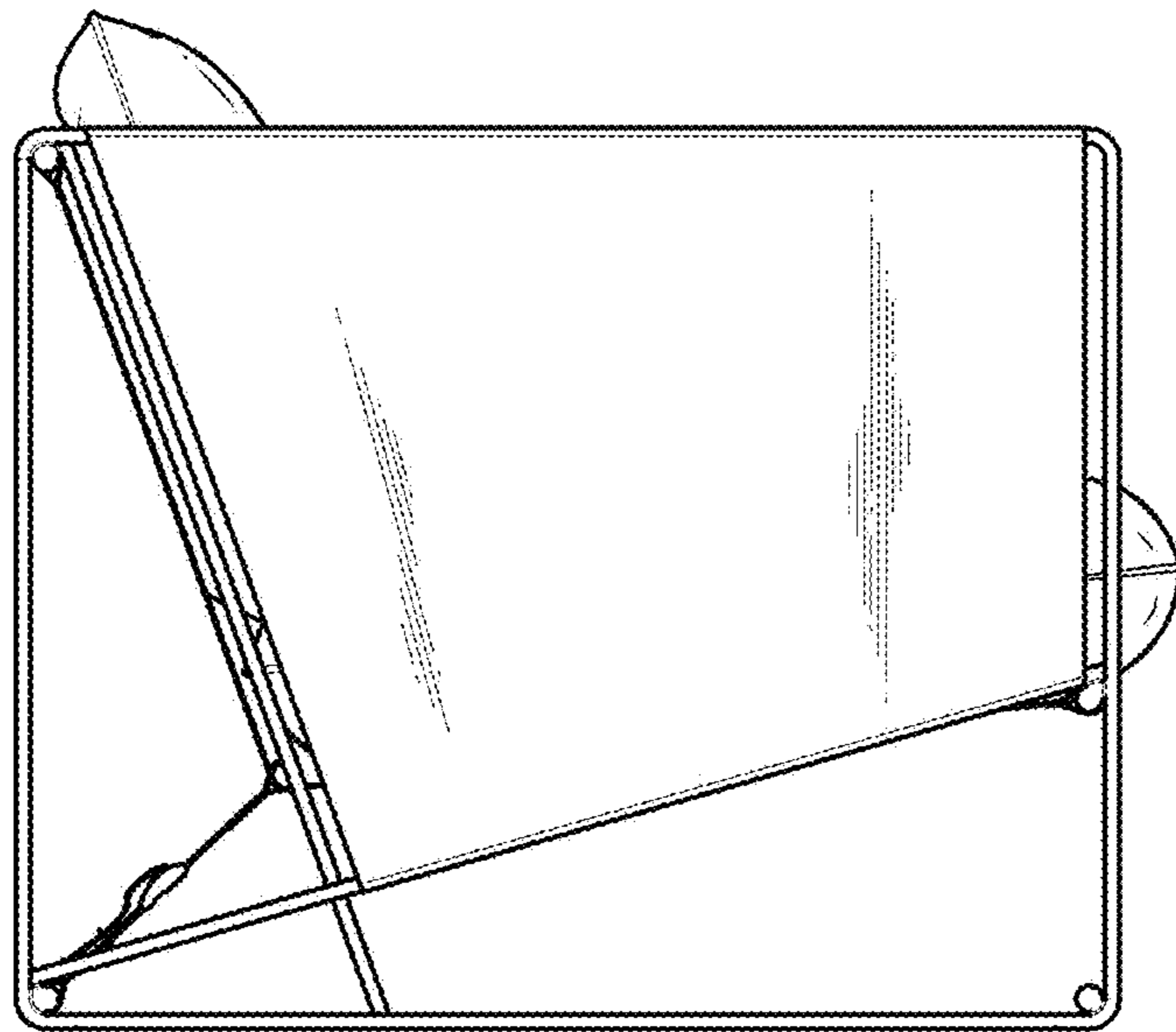


FIG. 7

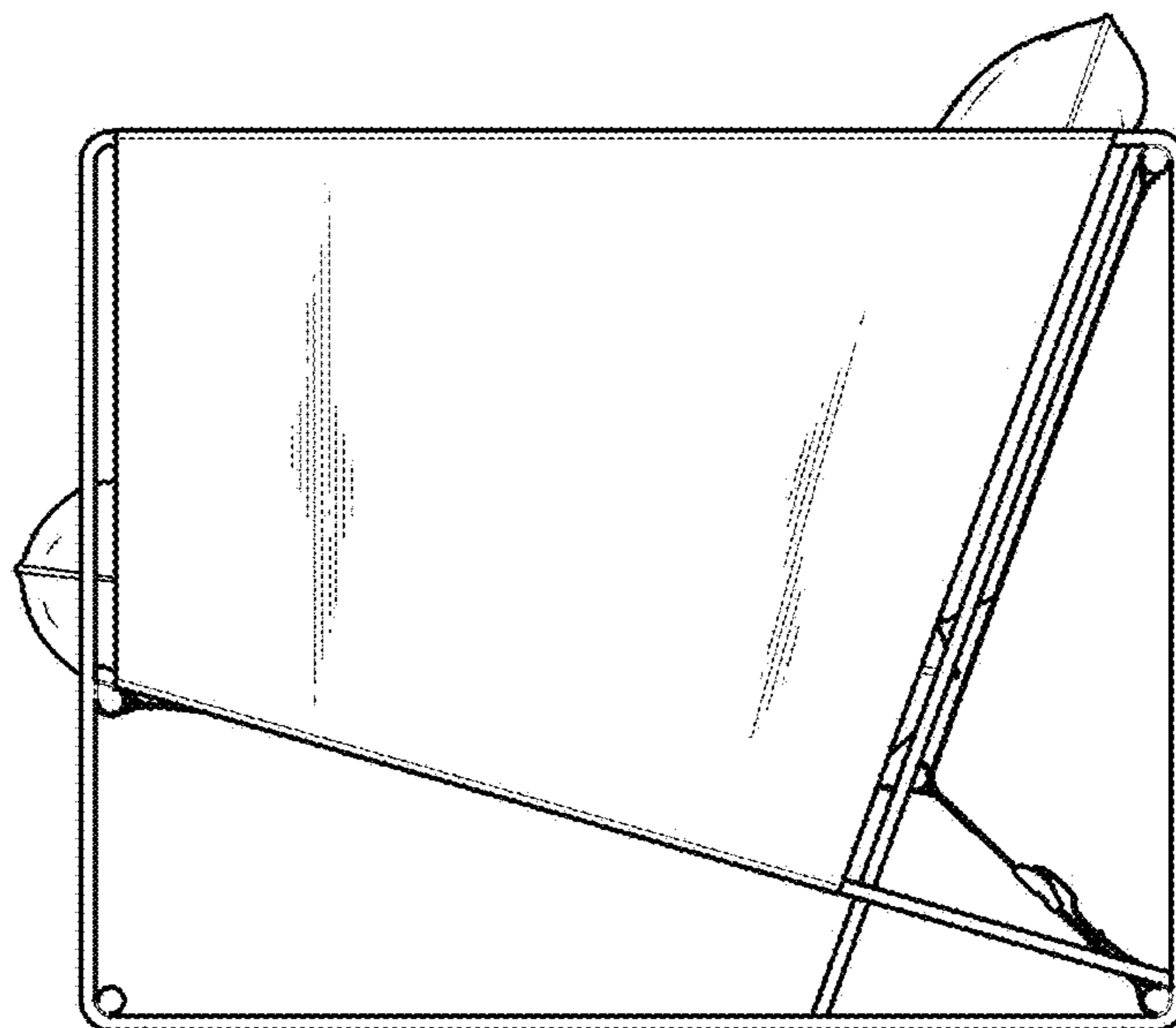


FIG. 8