

US00D845018S

(12) **United States Design Patent** (10) **Patent No.:** **US D845,018 S**
Schölander (45) **Date of Patent:** **** Apr. 9, 2019**

(54) **CHAIR**

(56) **References Cited**

(71) Applicant: **PANELTERRA INVESTMENTS LTD.**, Nicosia (CY)

U.S. PATENT DOCUMENTS

(72) Inventor: **Greger Schölander**, Zhuhai (CN)

D1,574 S *	5/1862	Philips	D6/379
1,873,768 A *	8/1932	Kux	A47C 4/06
				297/56
D145,781 S *	10/1946	Duer	D6/339
D197,061 S *	12/1963	Silverstein et al.	182/33.5
D295,345 S *	4/1988	Hubert	D6/368
D501,732 S *	2/2005	Hutton	D6/368
6,976,733 B1 *	12/2005	Biederman	A47C 4/24
				297/160
7,717,511 B2 *	5/2010	Huang	A47C 7/54
				297/239
D687,234 S *	8/2013	Pedersen	D6/370
D778,629 S *	2/2017	Le Gal	A47C 4/06
				D6/368
D794,972 S *	8/2017	Bettin	D6/374
D801,099 S *	10/2017	Farber	D6/716

(73) Assignee: **PANELTERRA INVESTMENTS LTD.**, Nicosia (CY)

(**) Term: **15 Years**

(21) Appl. No.: **35/503,892**

(22) Filed: **Sep. 18, 2017**

(80) **Hague Agreement Data**

Int. Filing Date: **Sep. 18, 2017**
Int. Reg. No.: **DM/098116**
Int. Reg. Date: **Sep. 18, 2017**
Int. Reg. Pub. Date: **Nov. 3, 2017**

* cited by examiner

Primary Examiner — Mary Ann Calabrese
(74) *Attorney, Agent, or Firm* — Cooper Legal Group, LLC; Ronald M. Kachmarik

(51) **LOC (11) Cl.** **06-01**

(57) **CLAIM**

(52) **U.S. Cl.**

The ornamental design for a chair, as shown and described.

USPC **D6/370**; D6/368; D6/379; D6/380

DESCRIPTION

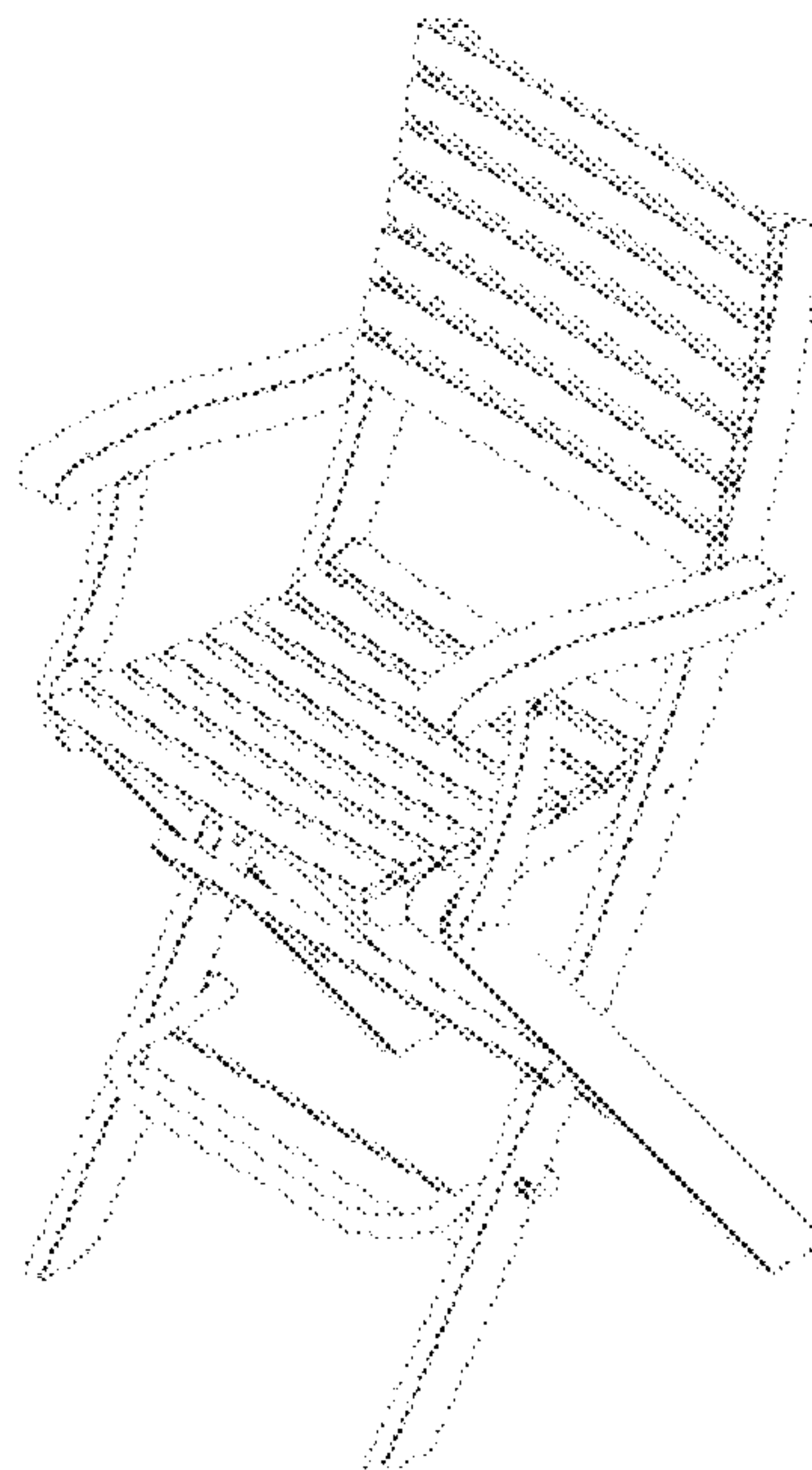
(58) **Field of Classification Search**

USPC D6/333–336, 338, 339, 368, 369, 372, D6/374, 376, 379, 380, 370
CPC .. A47C 3/00; A47C 3/023; A47C 5/00; A47C 5/04; A47C 5/12; A47C 7/00; A47C 7/02; A47C 7/16; A47C 4/00; A47C 4/024; A47C 4/027; A47C 4/04; A47C 4/08; A47C 4/14; A47D 1/00; A47D 1/002; A47D 1/006; A47D 1/008; A47D 1/0081; A47D 1/0083

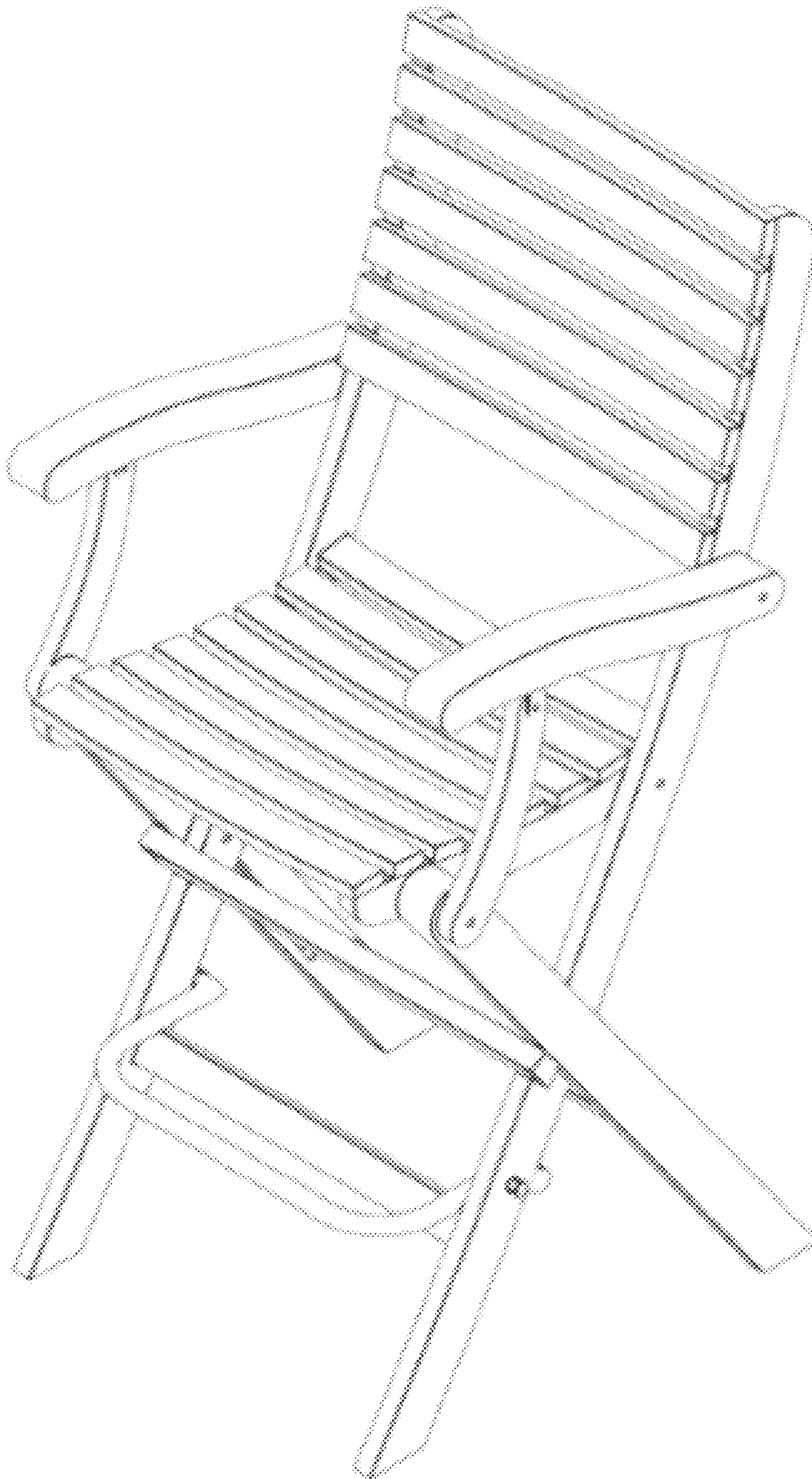
- 2. Chair
- 2.1 : Perspective
- 2.2 : Front
- 2.3 : Back
- 2.4 : Top
- 2.5 : Bottom
- 2.6 : Left
- 2.7 : Right

See application file for complete search history.

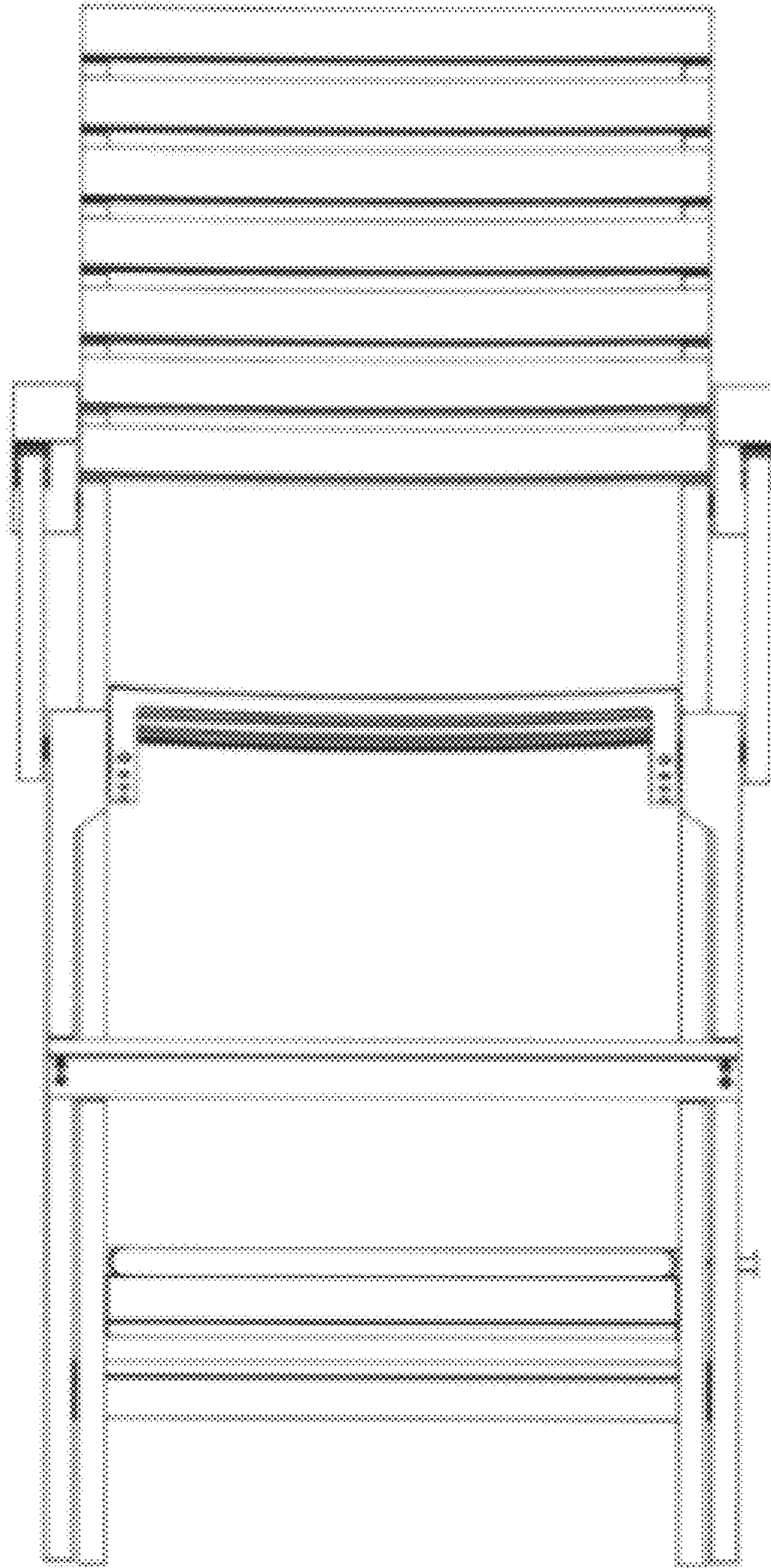
1 Claim, 7 Drawing Sheets



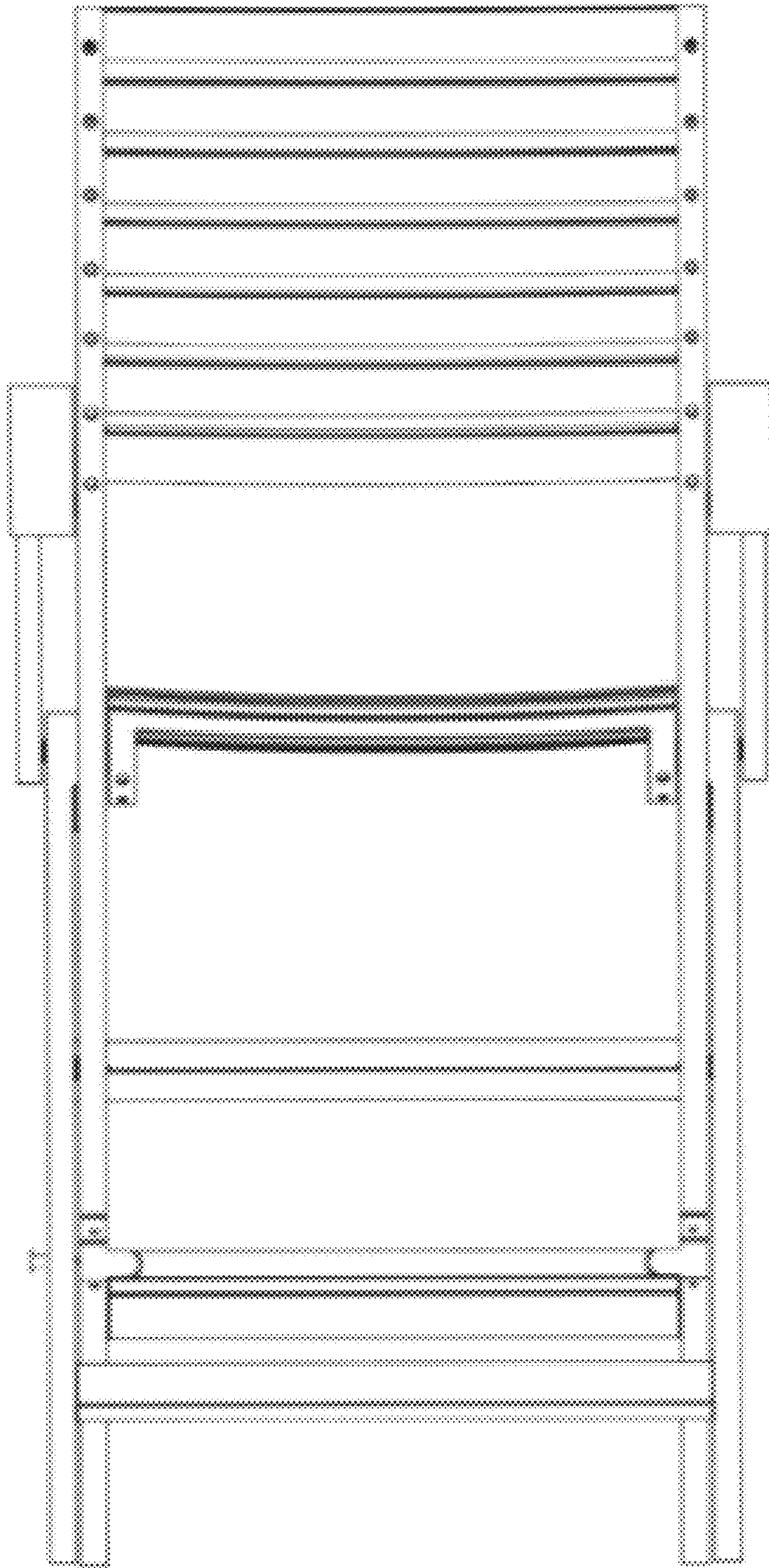
2.1



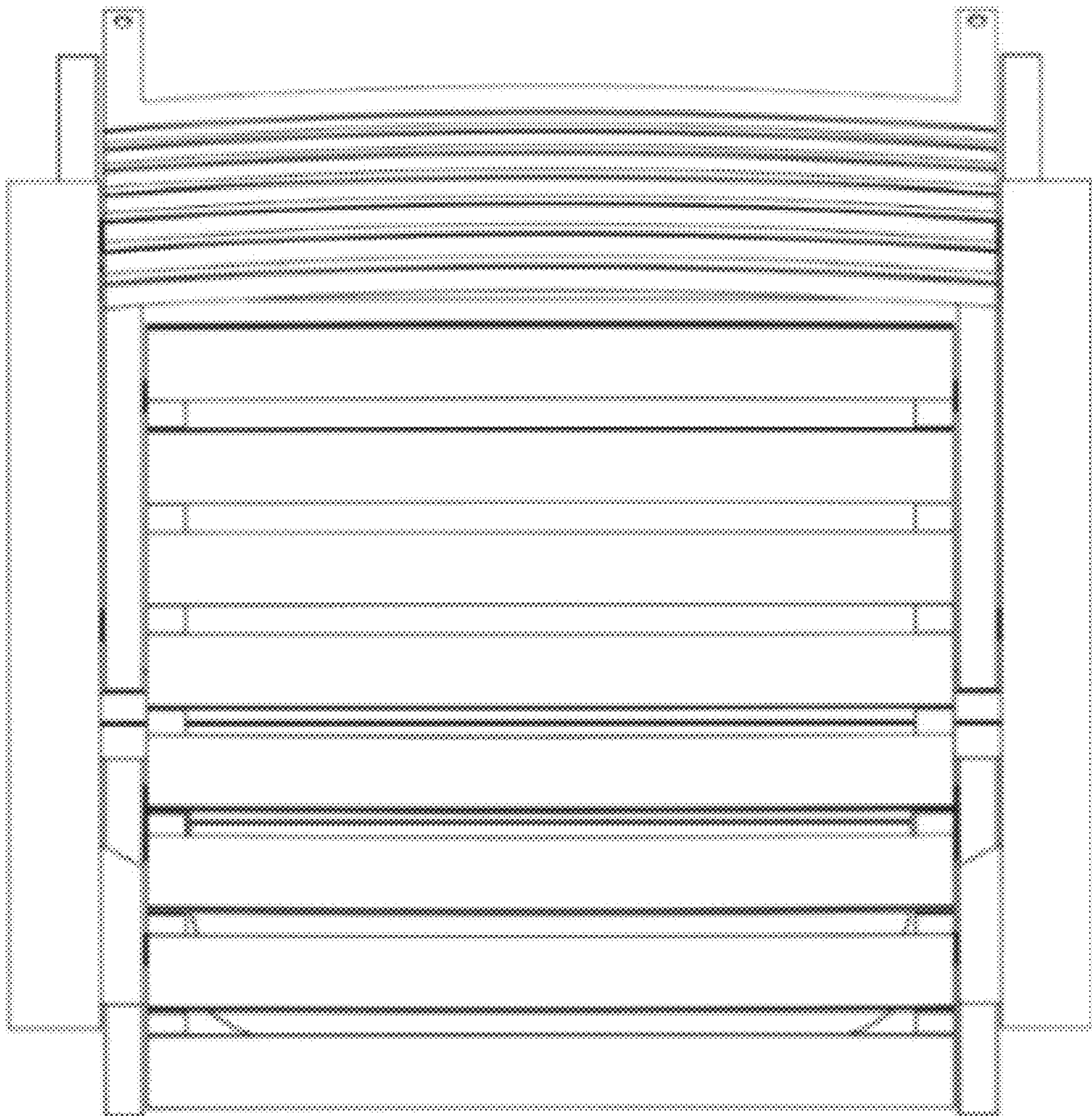
2.2



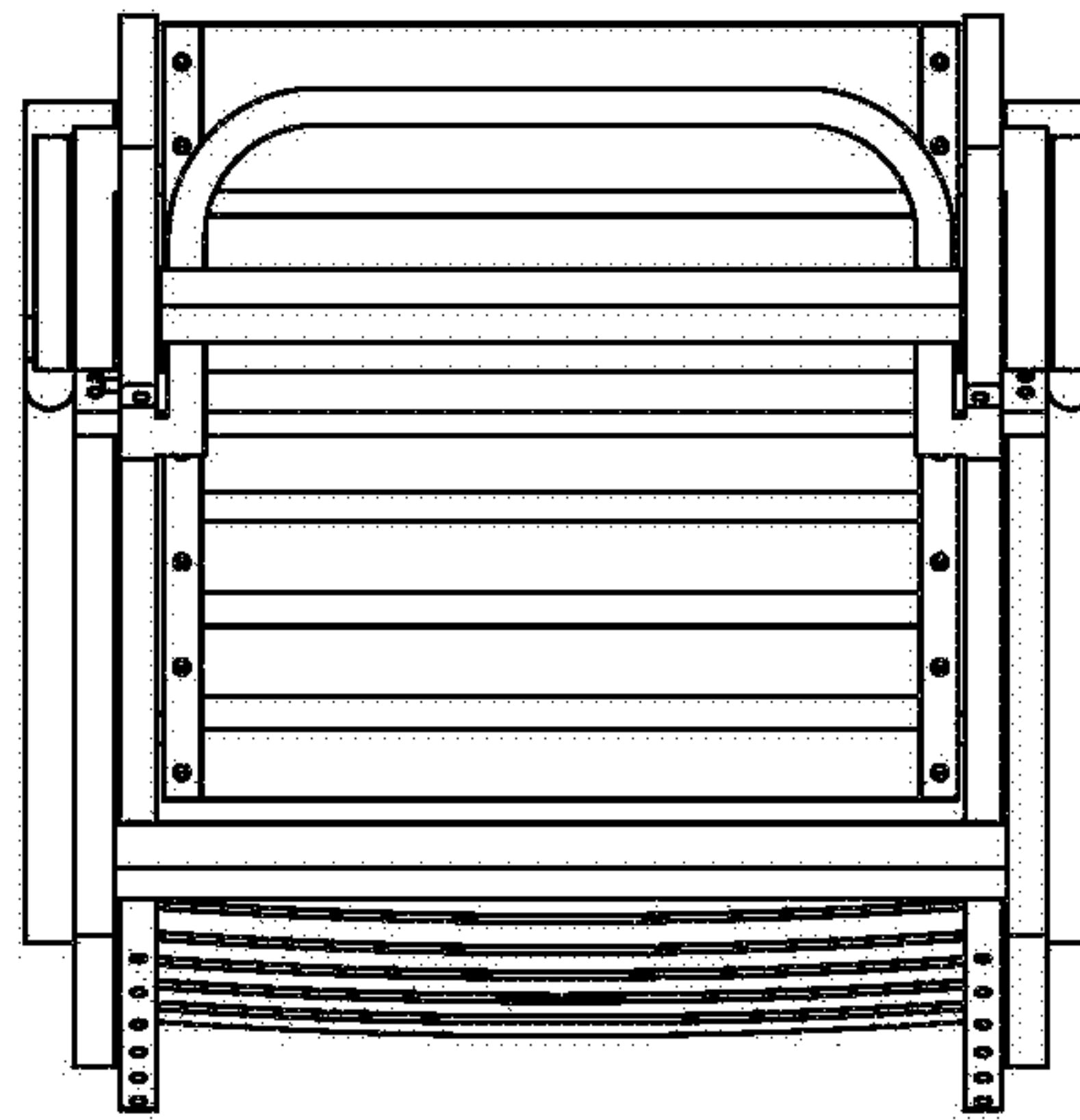
2.3



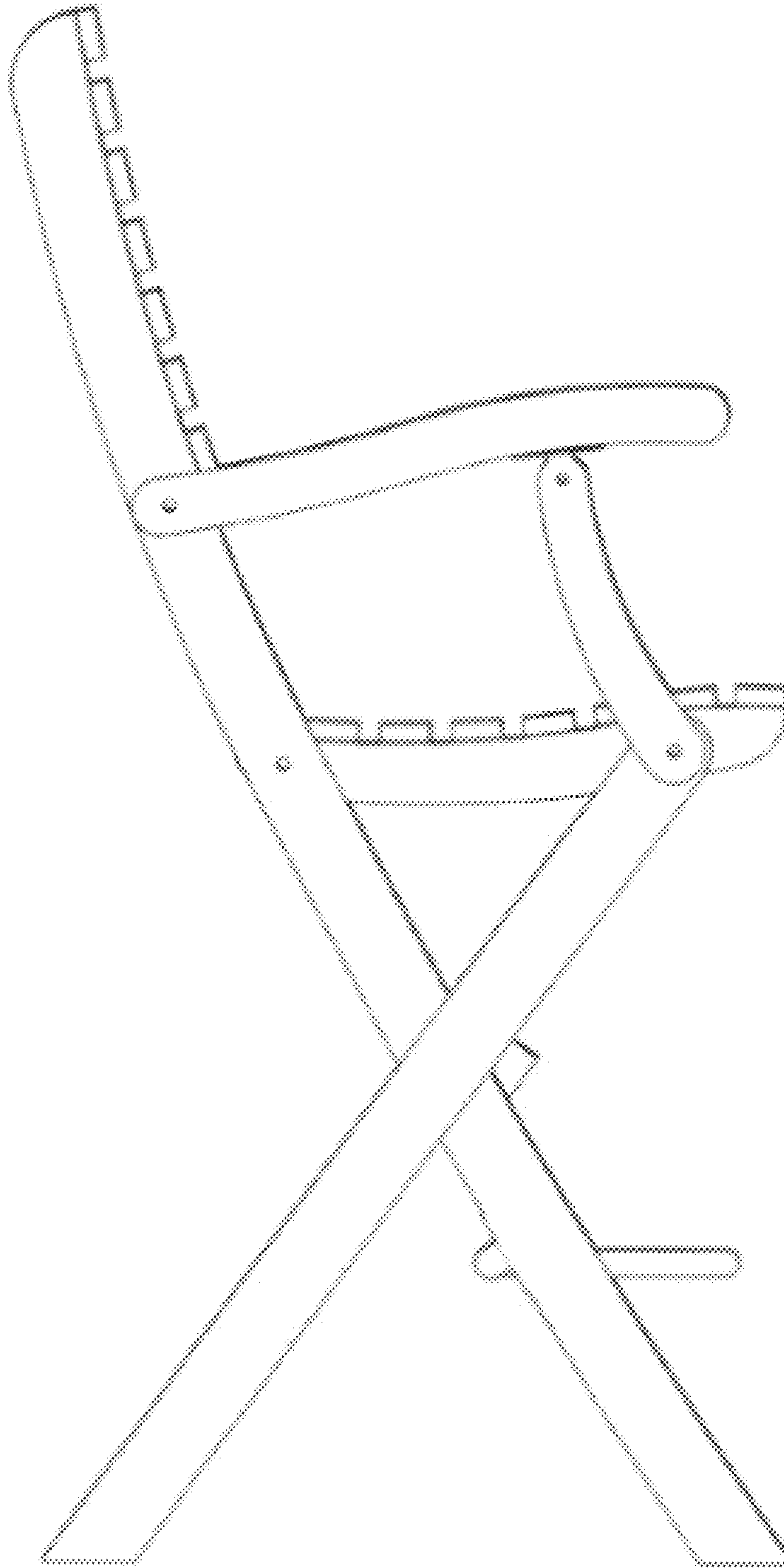
2.4



2.5



2.6



2.7

