



US00D845017S

(12) **United States Design Patent**  
**Zhou**

(10) **Patent No.:** **US D845,017 S**

(45) **Date of Patent:** **\*\* Apr. 9, 2019**

(54) **INJECTION-MOLDED FOLDABLE SEAT**

*Primary Examiner* — Mimoso De

(71) Applicant: **Yunxiang Zhou**, Guangdong (CN)

(57) **CLAIM**

(72) Inventor: **Yunxiang Zhou**, Guangdong (CN)

The ornamental design for an injection-molded foldable seat, as shown and described.

(\*\*) Term: **15 Years**

(21) Appl. No.: **29/636,722**

**DESCRIPTION**

(22) Filed: **Feb. 9, 2018**

(51) **LOC (11) Cl.** ..... **06-01**

(52) **U.S. Cl.**

USPC ..... **D6/368**

(58) **Field of Classification Search**

USPC ..... D6/334-336, 364, 365, 368, 374, 380,

D6/716, 716.1, 716.2, 716.3, 716.4

CPC .... A47C 4/02; A47C 4/03; A47C 4/04; A47C

4/08; A47C 5/12; A47C 1/12; A47C 1/21;

A47C 1/26; A47C 1/16

See application file for complete search history.

FIG. 1 is a top, front and left side perspective view of an injection-molded foldable seat showing my new design; FIG. 2 is a front elevational view thereof; FIG. 3 is a rear elevational view thereof; FIG. 4 is a left side view thereof; FIG. 5 is a right side view thereof; FIG. 6 is a top plan view thereof; FIG. 7 is a bottom plan view thereof; FIG. 8 is a top, front and left side perspective view showing the injection-molded foldable seat in an alternate position; FIG. 9 is a front elevational view showing the injection-molded foldable seat in an alternate position; FIG. 10 is a rear elevational view showing the injection-molded foldable seat in an alternate position; FIG. 11 is a left side view showing the injection-molded foldable seat in an alternate position; FIG. 12 is a right side view showing the injection-molded foldable seat in an alternate position; FIG. 13 is a top plan view showing the injection-molded foldable seat in an alternate position; and, FIG. 14 is a bottom plan view showing the injection-molded foldable seat in an alternate position.

The broken lines in the drawings illustrate portions of the injection-molded foldable seat which form no part of the claimed design.

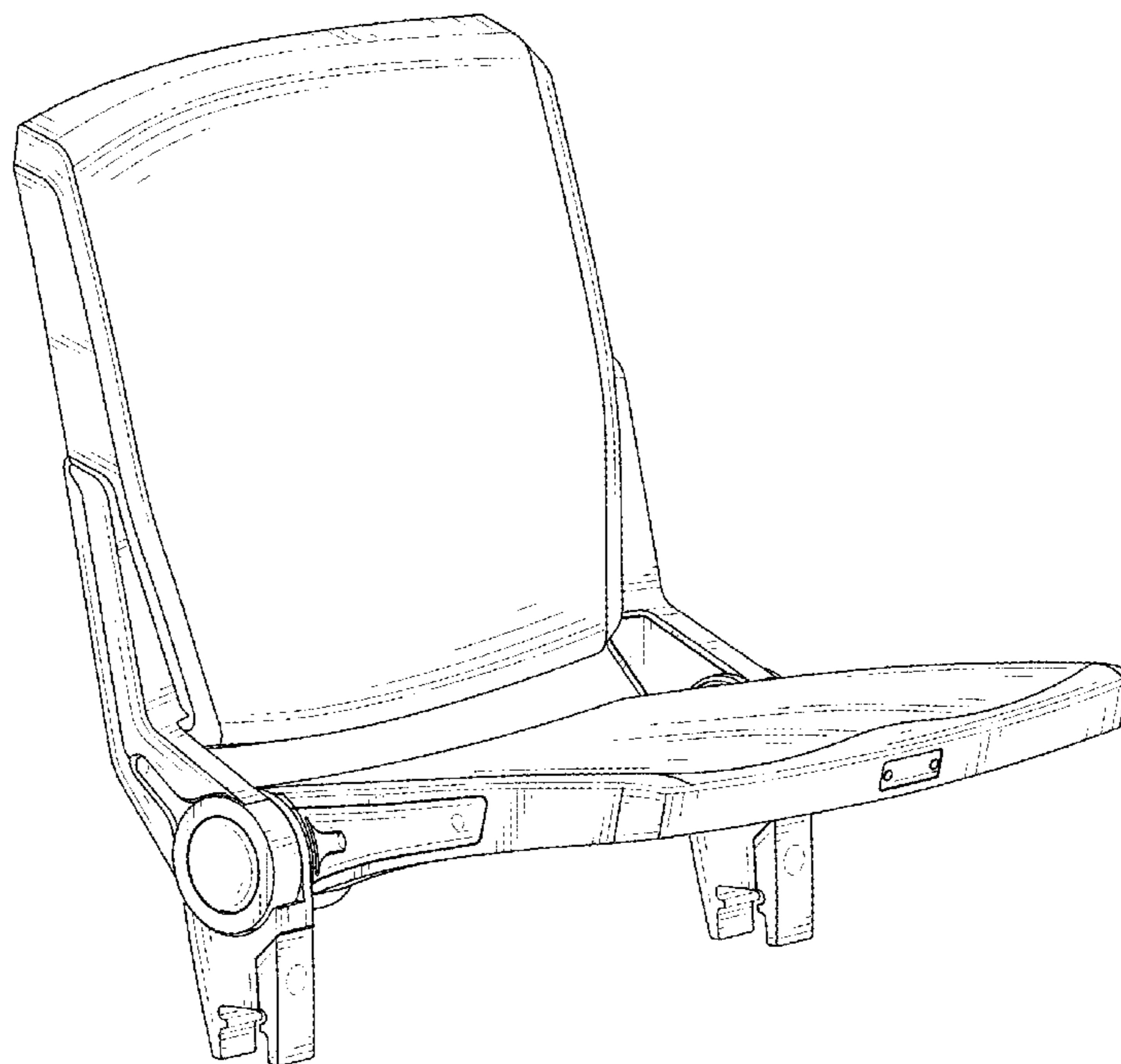
(56) **References Cited**

**U.S. PATENT DOCUMENTS**

656,583	A *	8/1900	Levin	.....	A47C 1/12
					297/423.15
D225,494	S *	12/1972	Ahrens	.....	D6/368
D228,104	S *	8/1973	Blodee	.....	D6/368
D347,332	S *	5/1994	Donnelly	.....	D6/362
D347,947	S *	6/1994	Donnelly	.....	D6/368
D386,320	S *	11/1997	King	.....	D6/368
D482,884	S *	12/2003	Plant	.....	D6/368
D483,194	S *	12/2003	Plant	.....	D6/368
D509,372	S *	9/2005	King	.....	D6/364
D638,634	S *	5/2011	Figueras Mitjans	.....	D6/364

\* cited by examiner

**1 Claim, 14 Drawing Sheets**



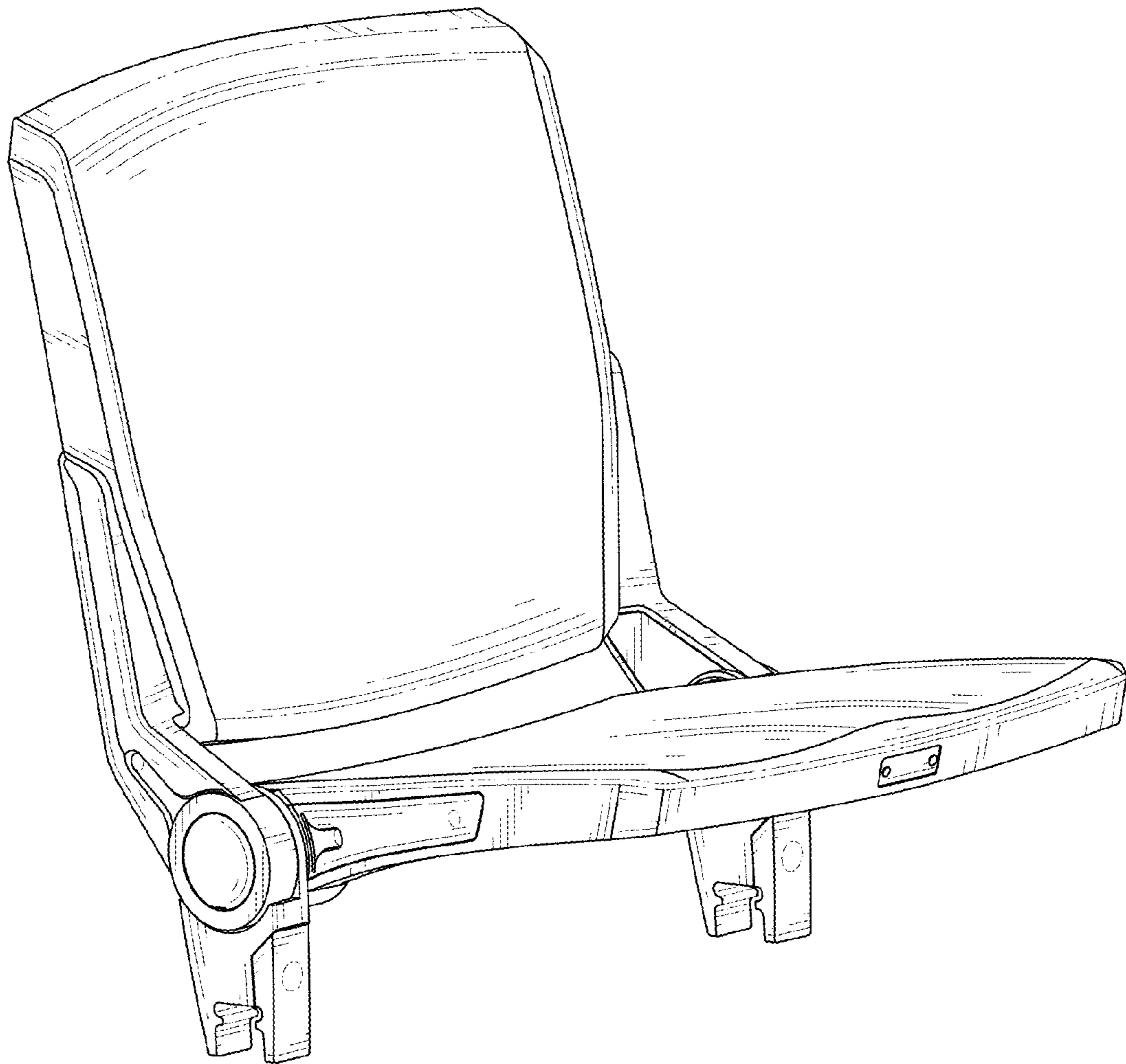


FIG. 1

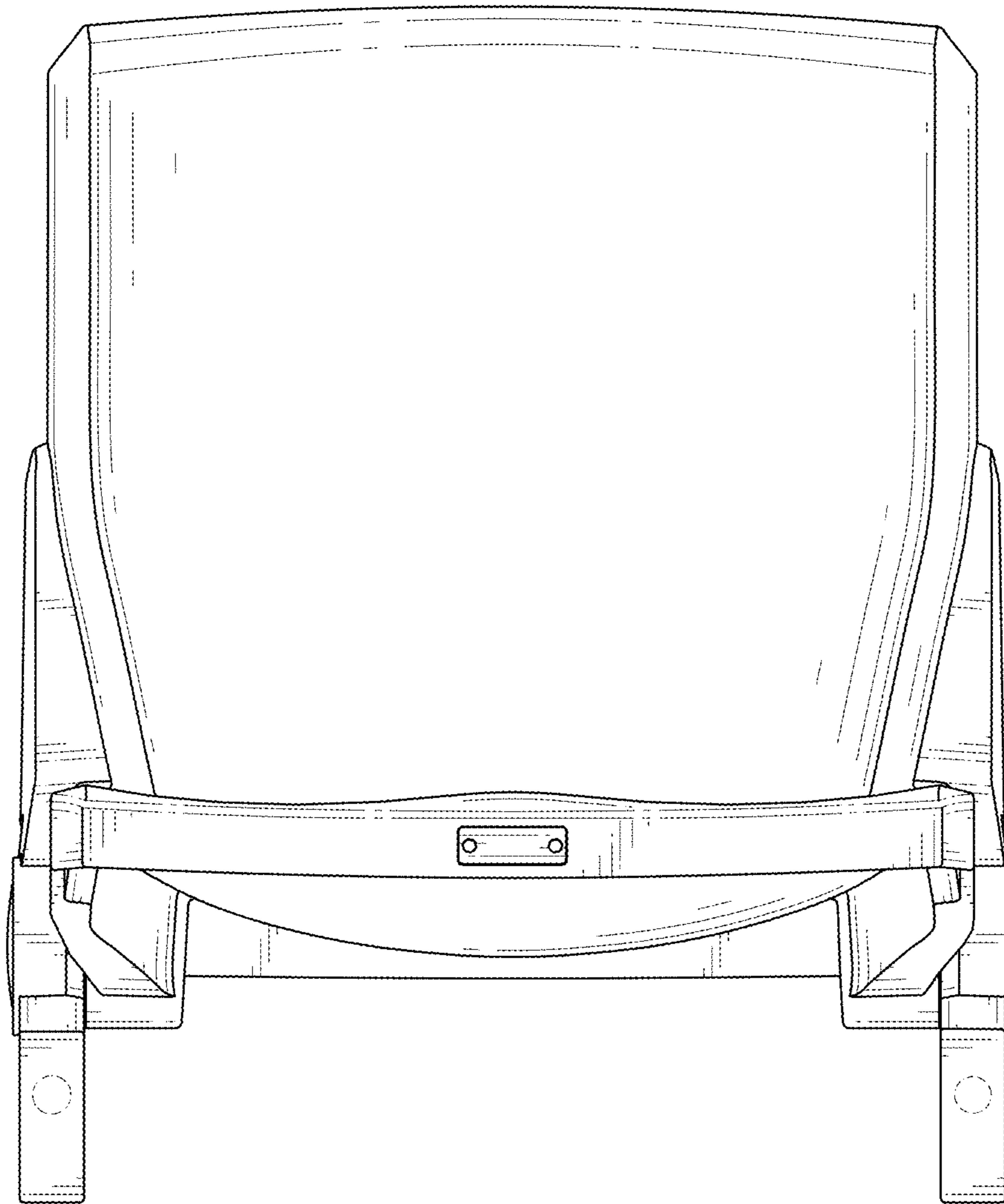


FIG. 2

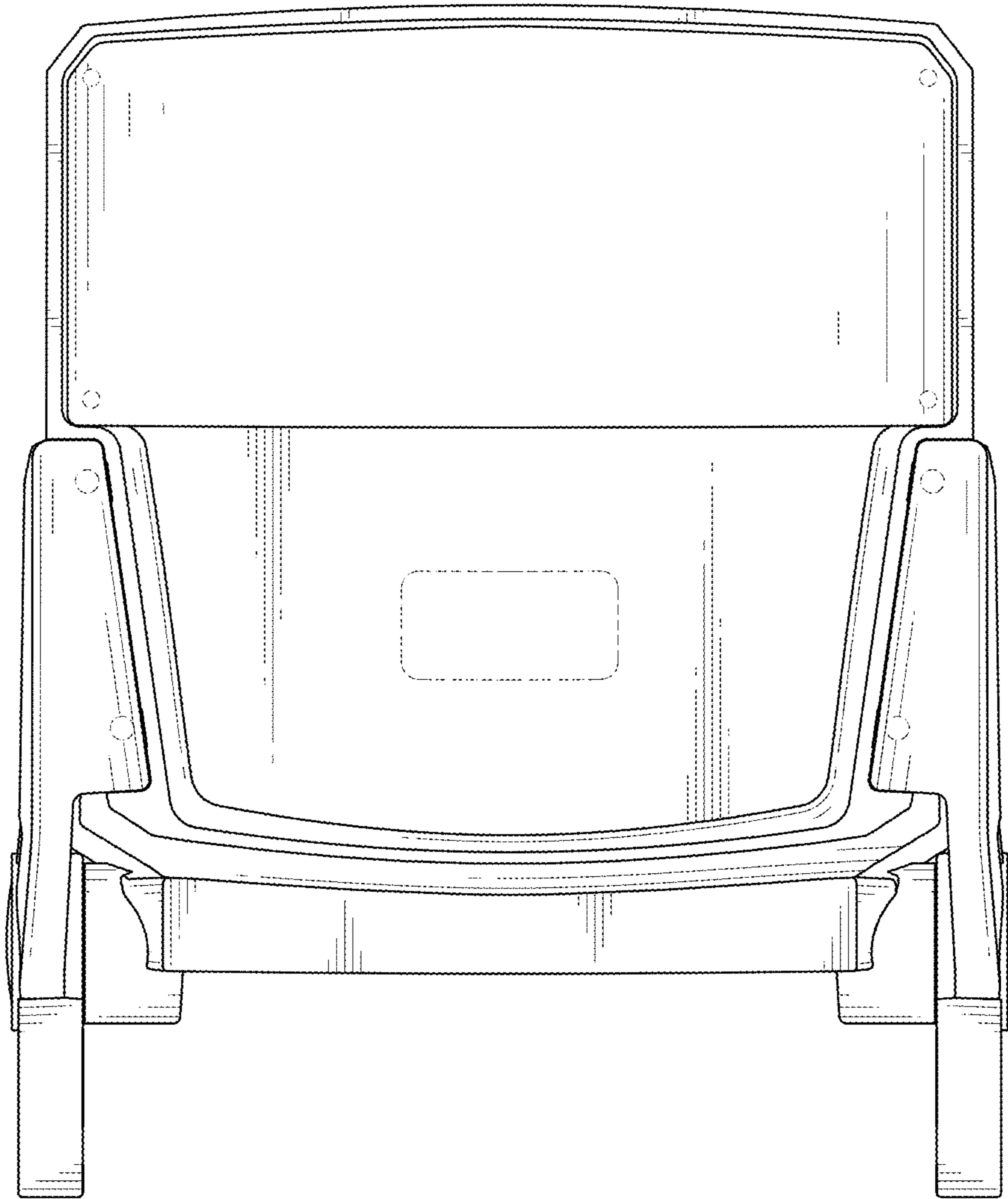


FIG. 3

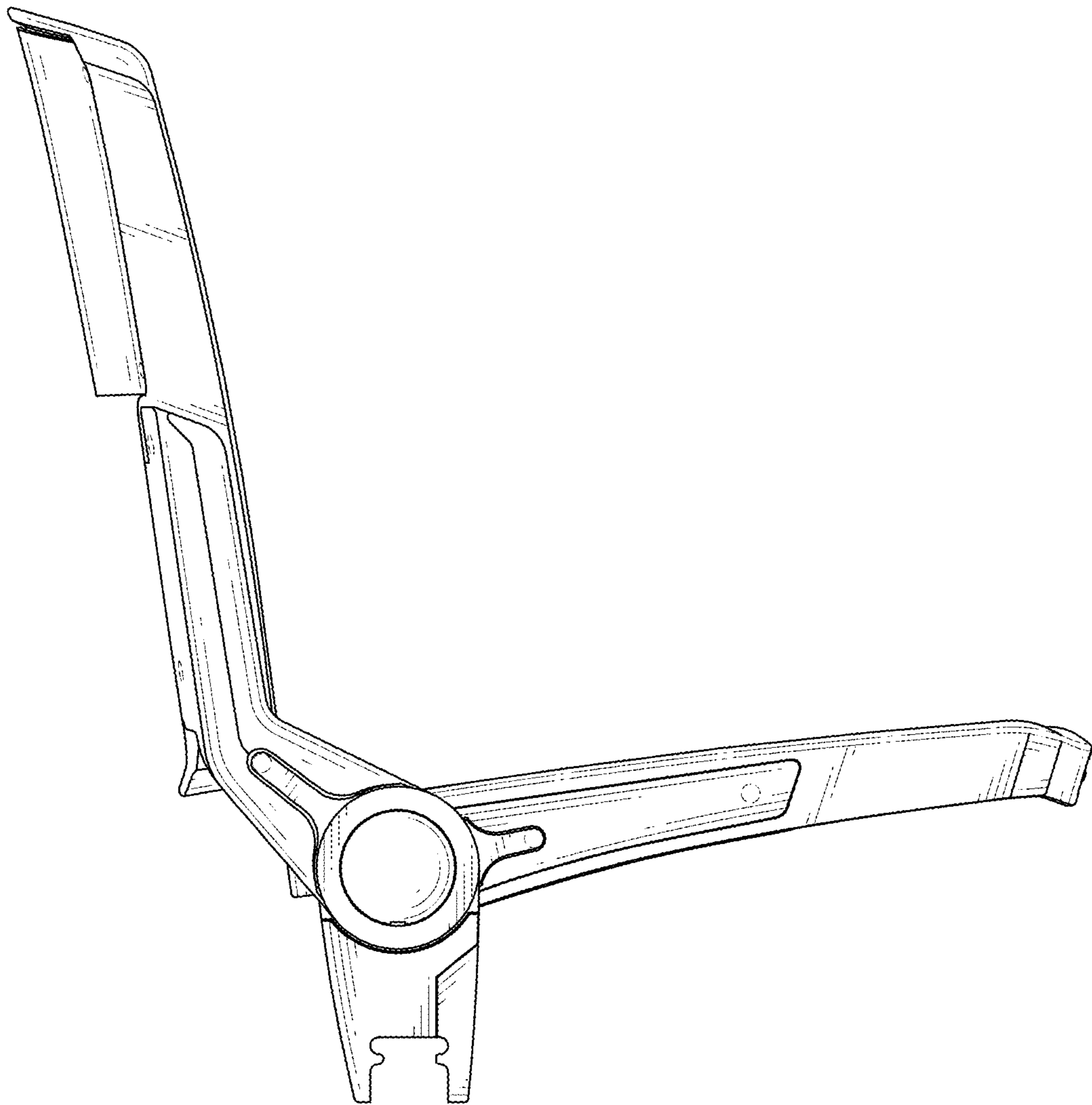


FIG. 4

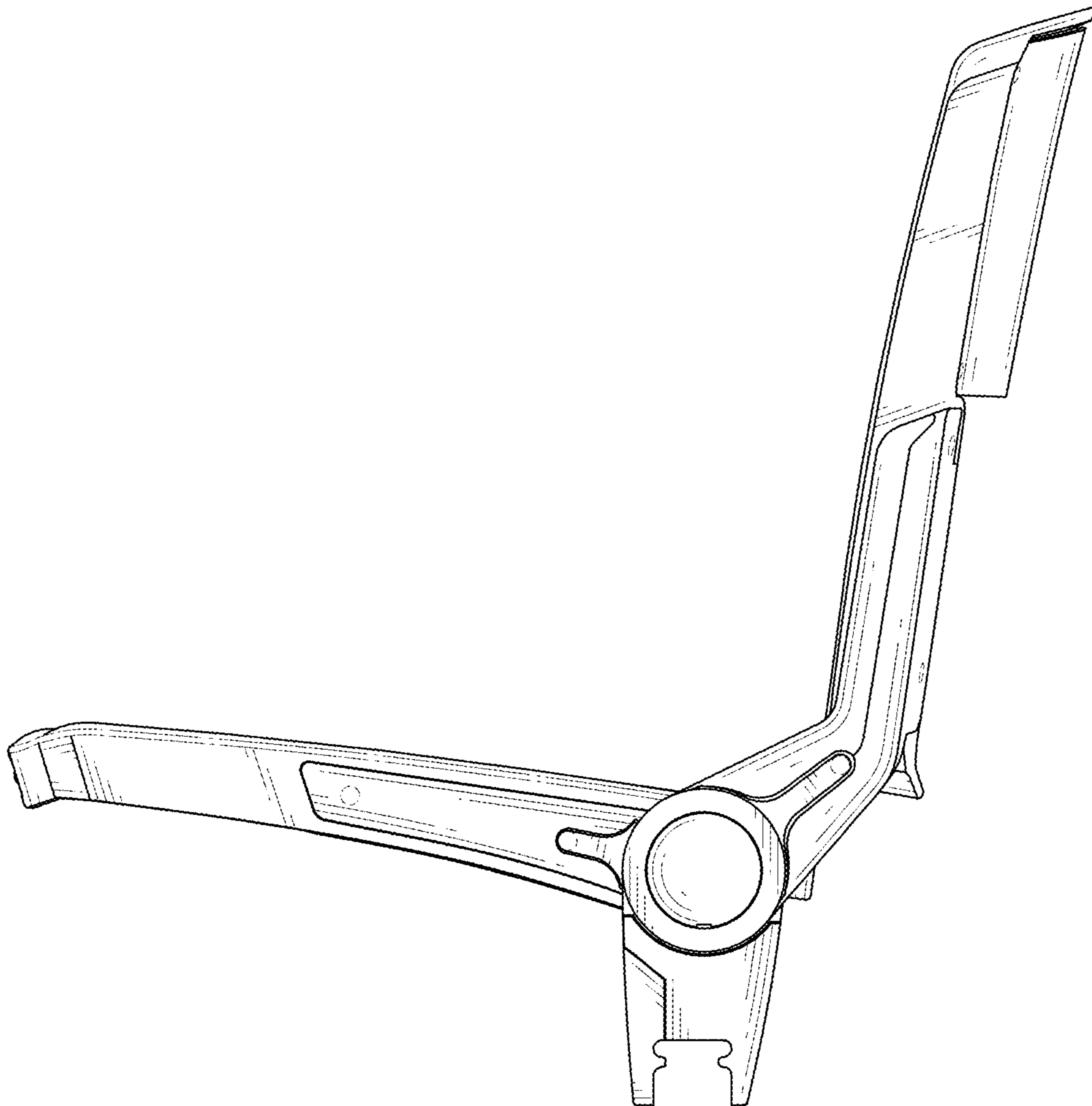


FIG. 5

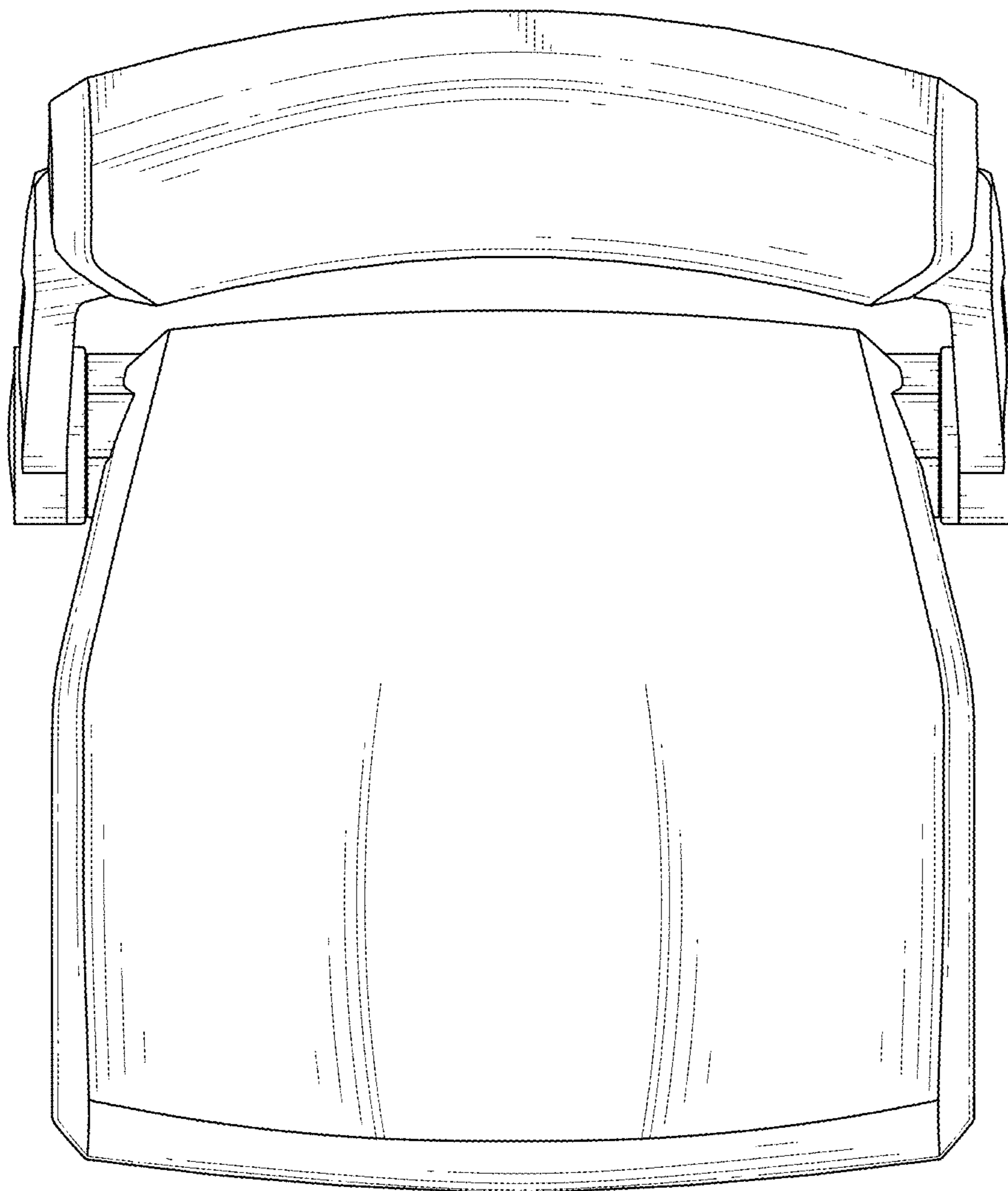


FIG. 6

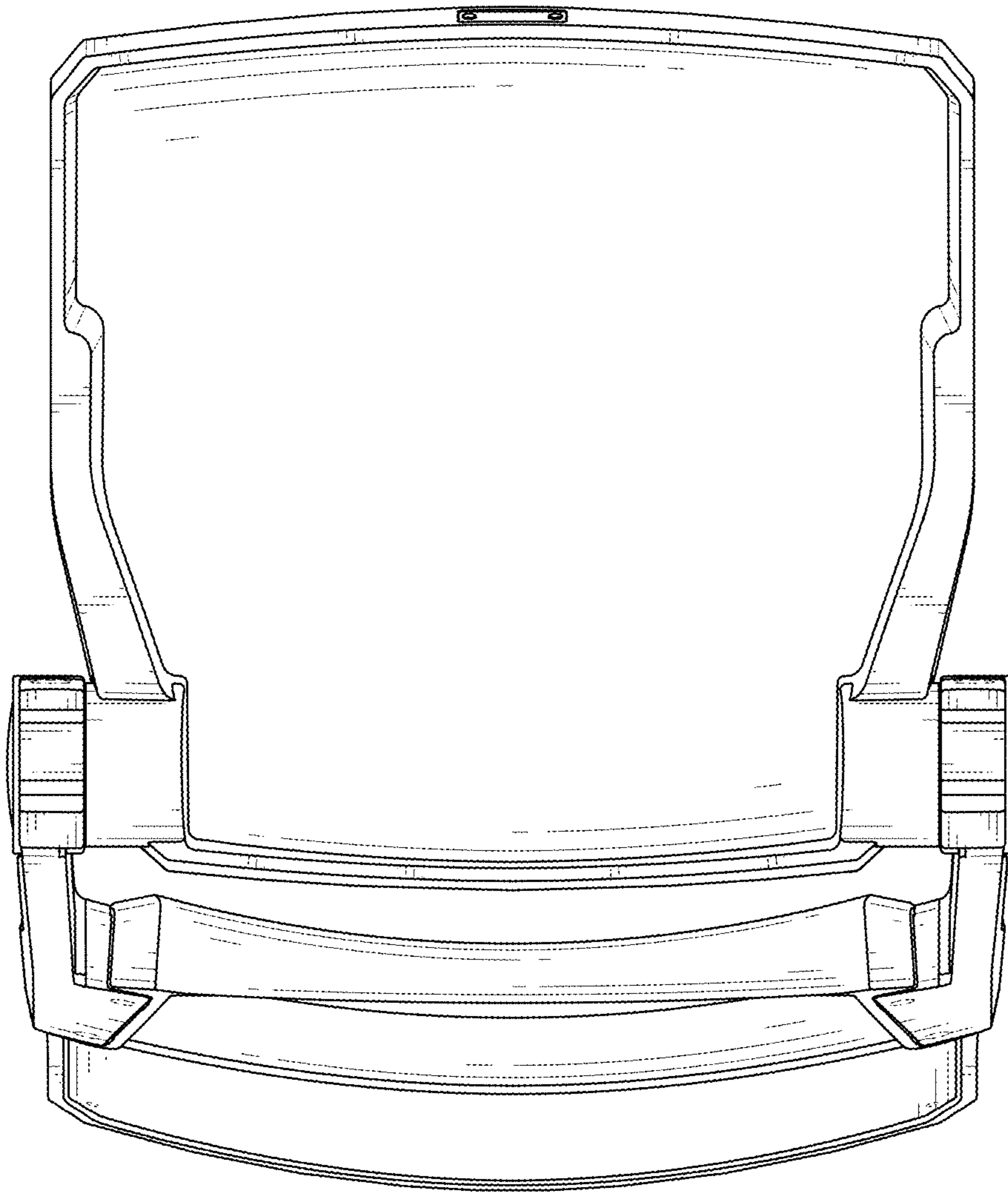


FIG. 7



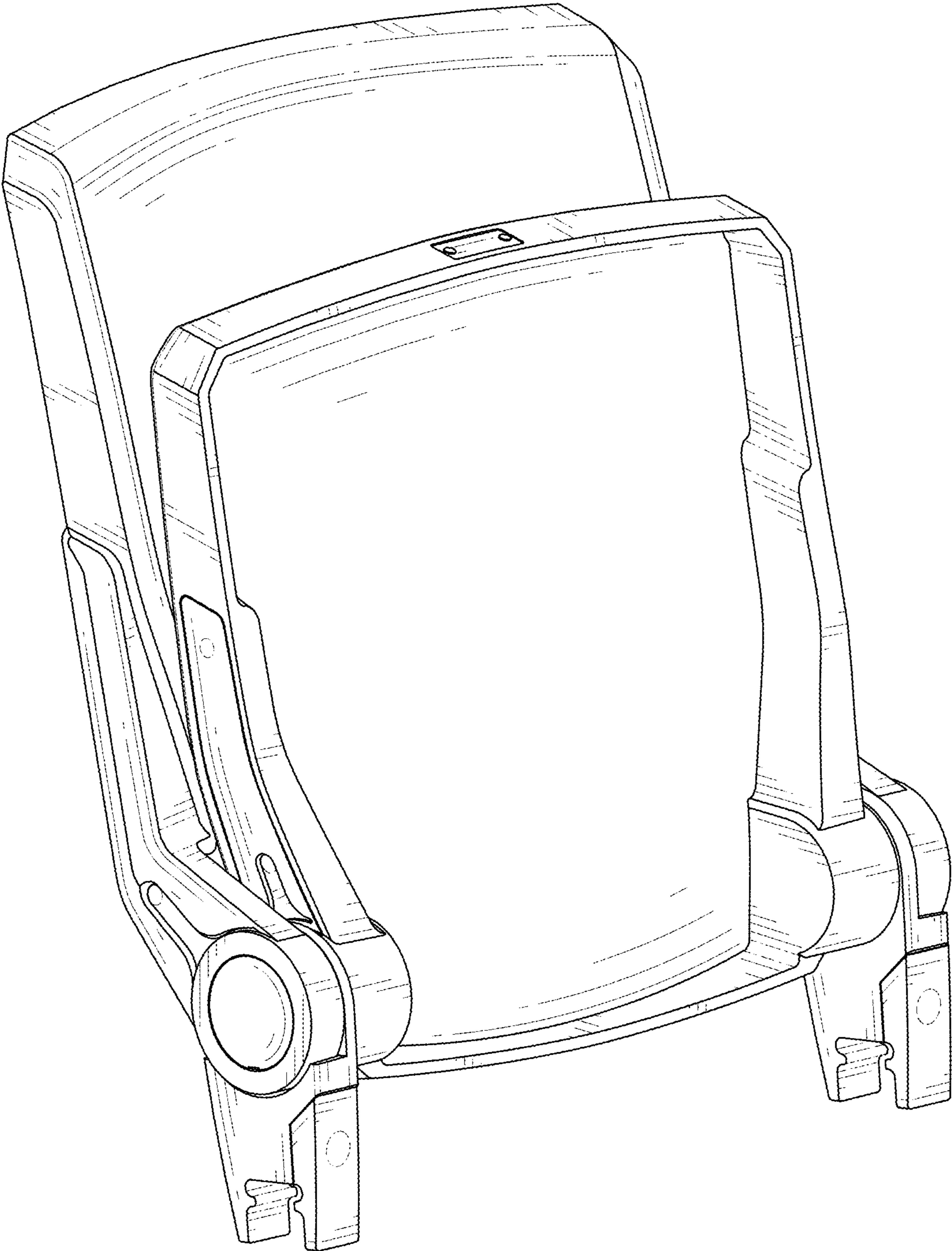


FIG. 8

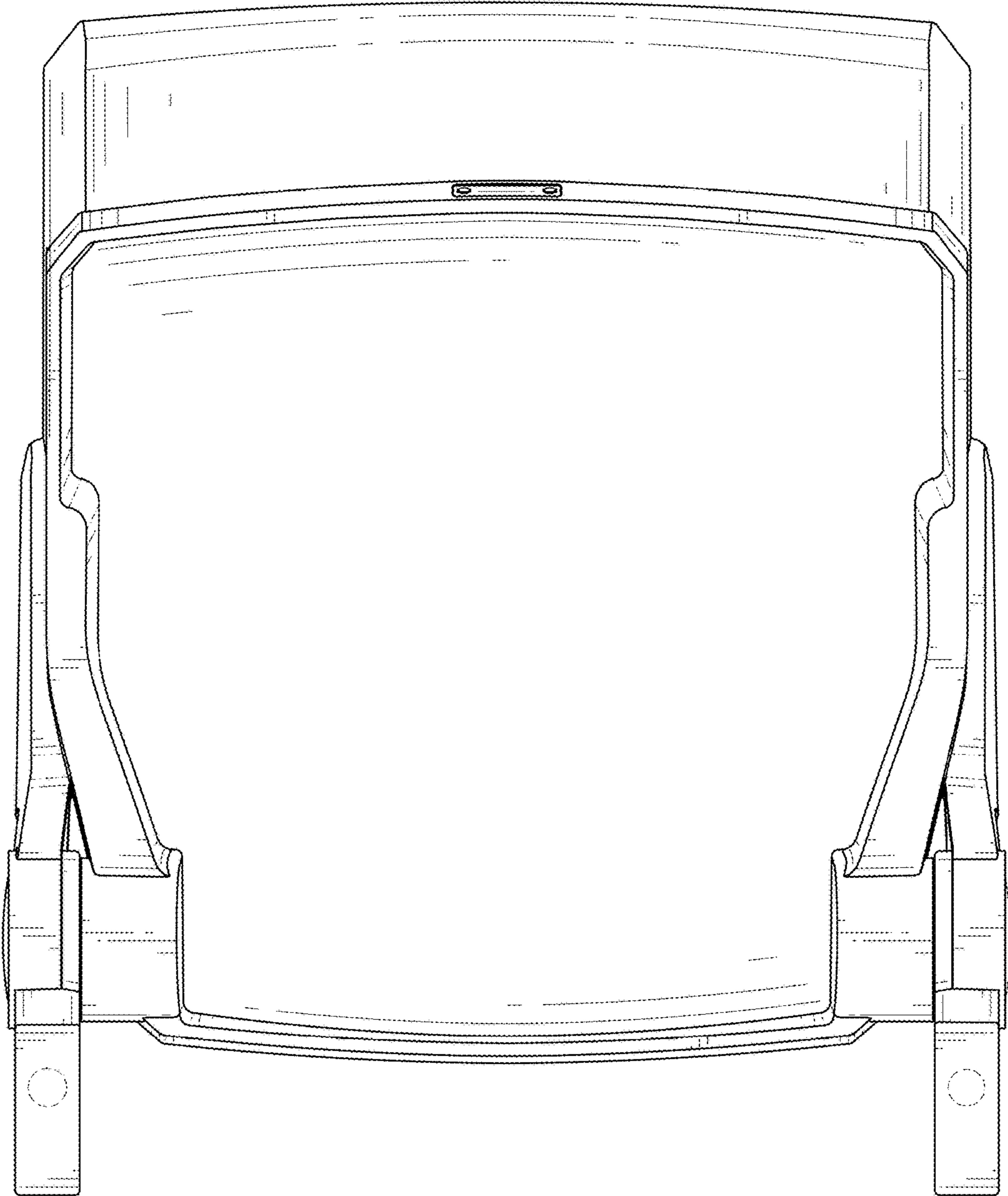


FIG. 9

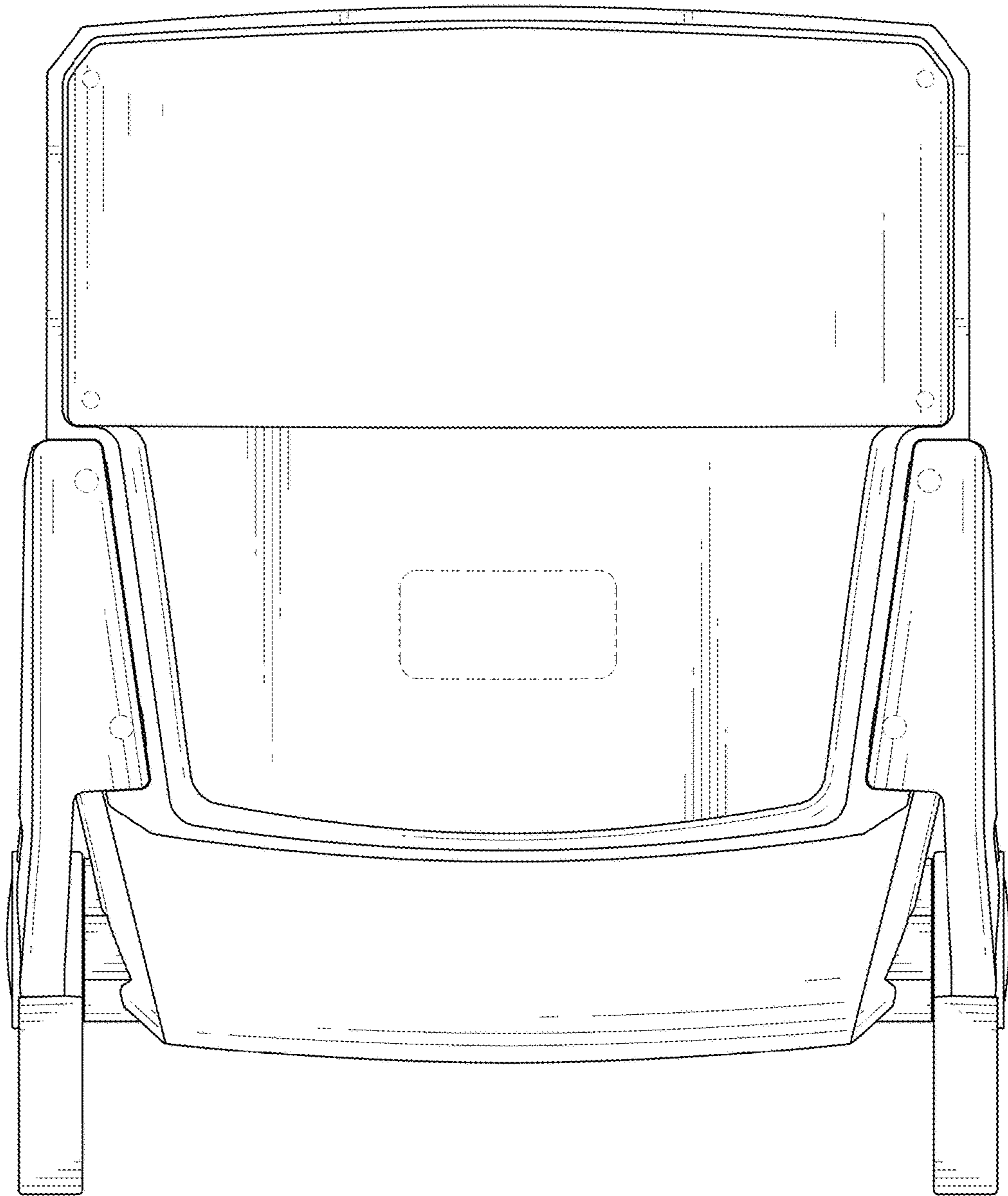


FIG. 10

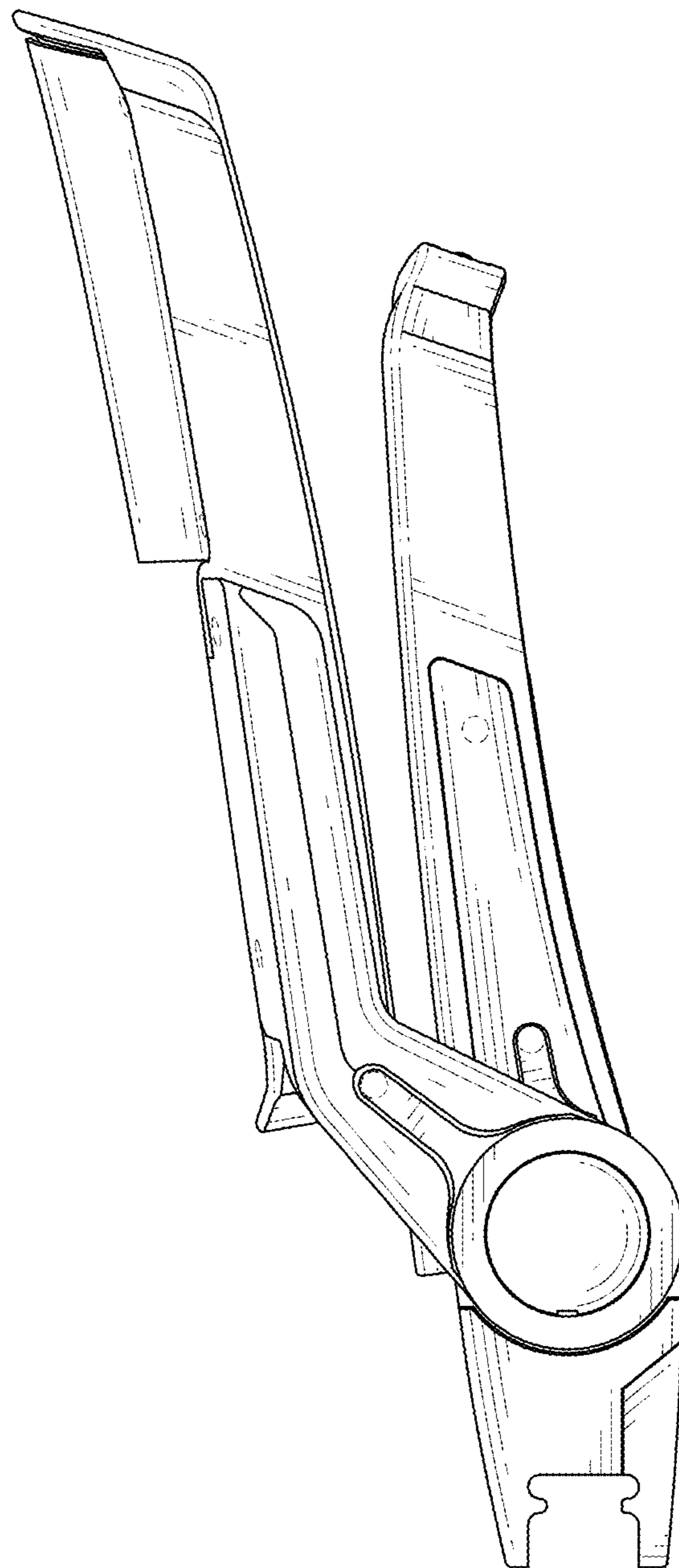


FIG. 11

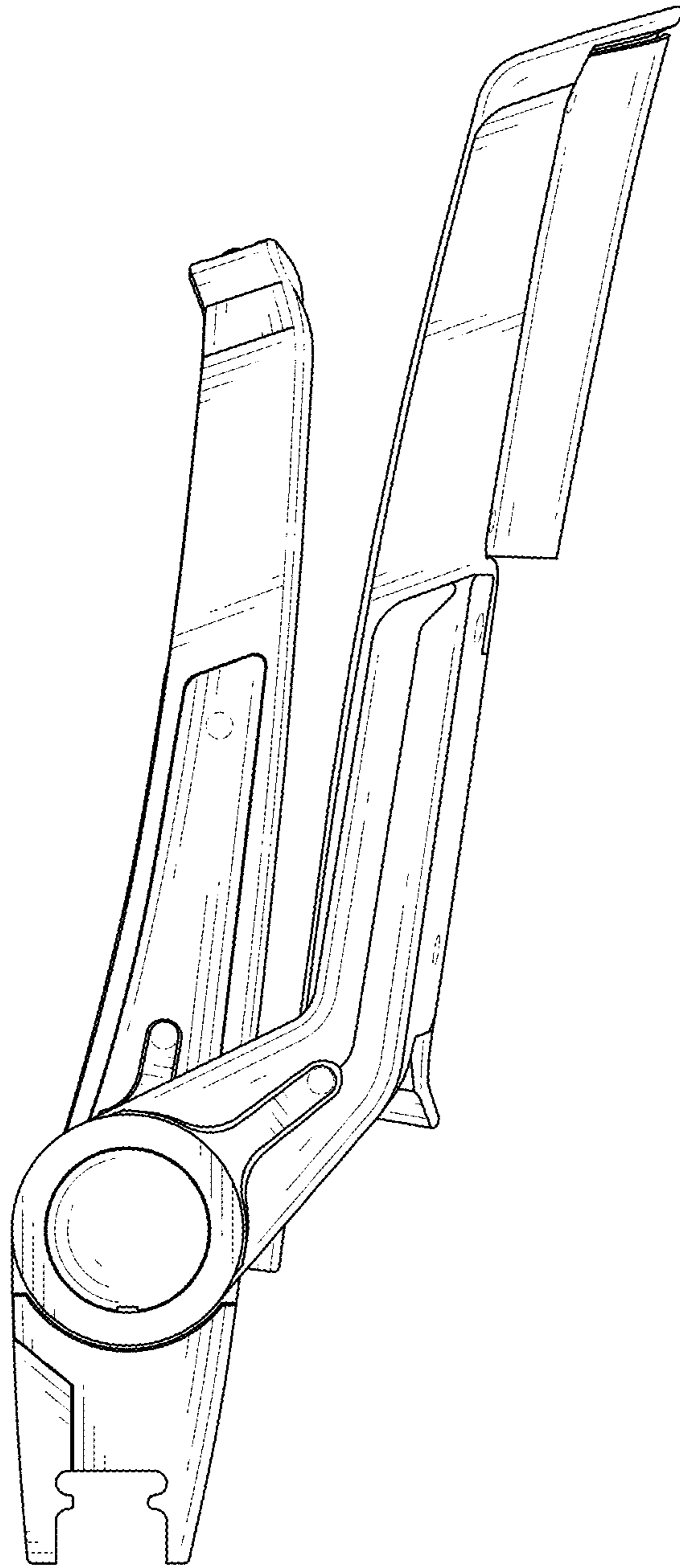


FIG. 12

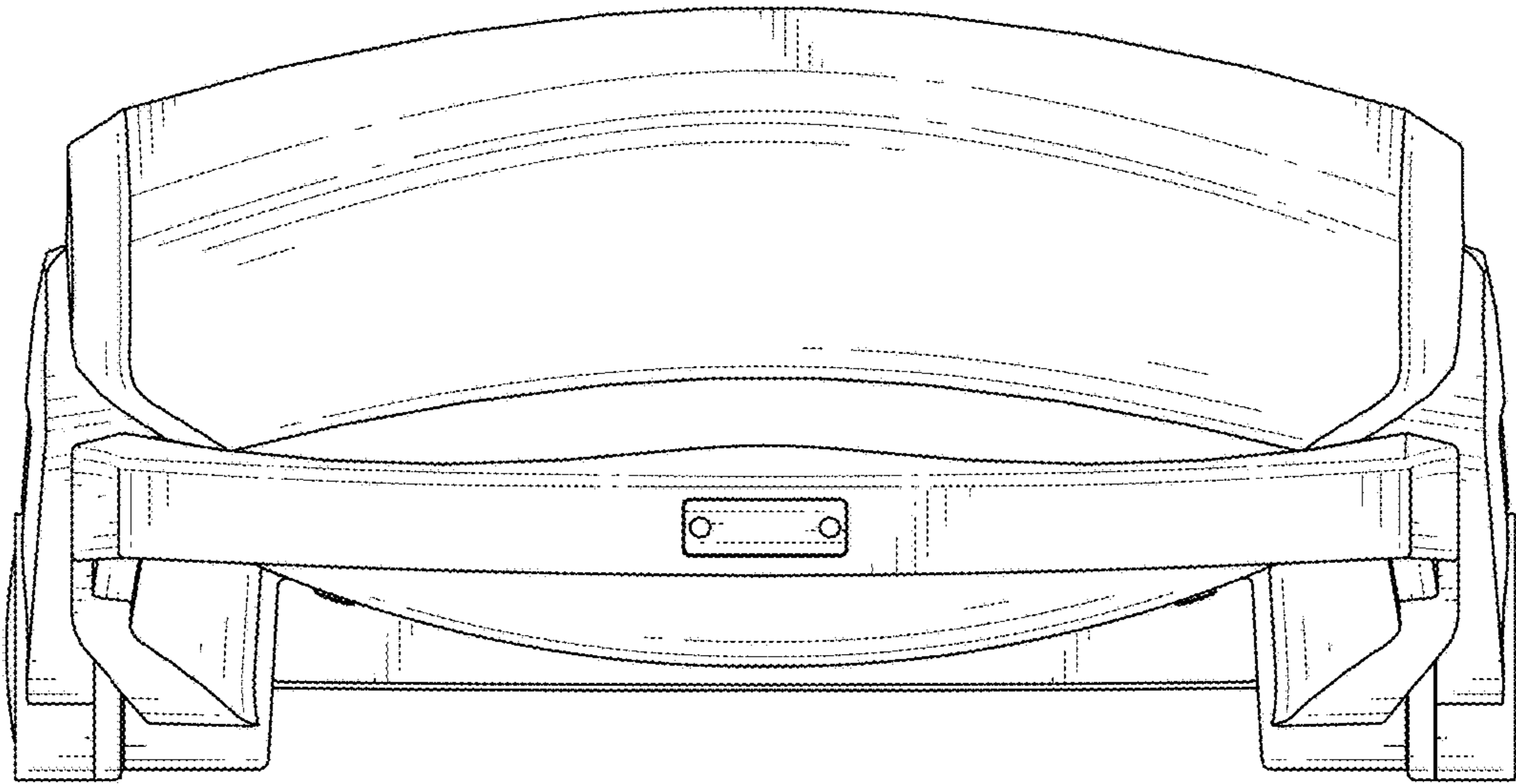


FIG. 13

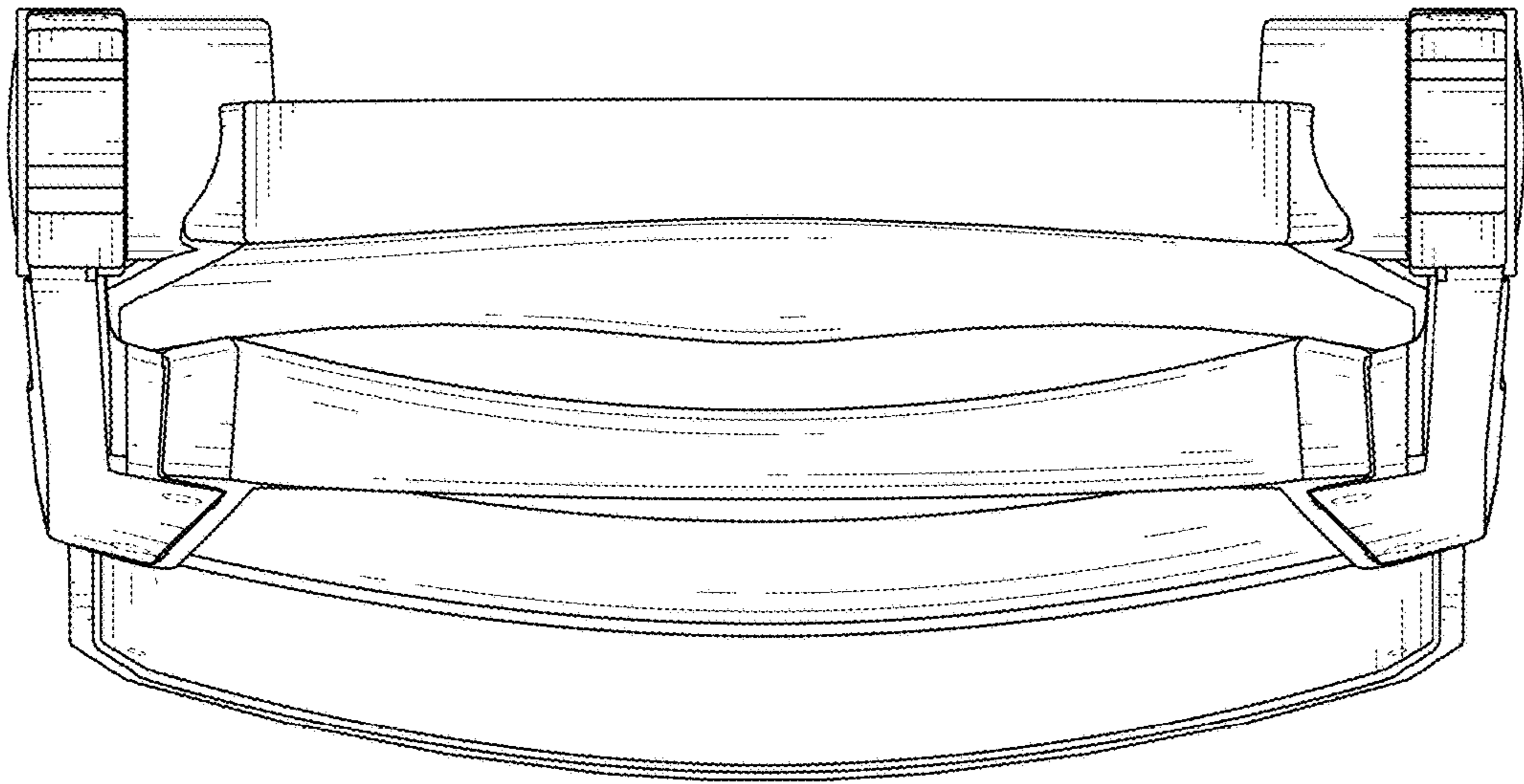


FIG. 14