



US00D845015S

(12) **United States Design Patent** (10) **Patent No.:** **US D845,015 S**
Milne (45) **Date of Patent:** **** Apr. 9, 2019**

(54) **CHAIR**
(71) Applicant: **Cory Milne**, Salt Lake City, UT (US)
(72) Inventor: **Cory Milne**, Salt Lake City, UT (US)
(**) Term: **15 Years**
(21) Appl. No.: **29/628,947**
(22) Filed: **Dec. 8, 2017**
(51) **LOC (11) Cl.** **06-01**
(52) **U.S. Cl.**
USPC **D6/361**
(58) **Field of Classification Search**
USPC D6/334, 335, 344, 348, 361, 369-371,
D6/373, 377, 381, 601, 708, 364;
D12/52, 316; D21/521, 534-539, 674,
D21/676, 687, 688, 690, 828; D3/201
CPC .. A47G 9/086; A47G 9/08; A47C 4/54; A47C
7/18; A47C 9/002; A47C 15/006; A47C
20/026; A47C 20/027; A47C 27/086;
A47C 27/12; A47C 27/14; A47C 1/02;
A47C 3/16; A41D 2400/10; A41D 1/02;
A45F 3/22; A47D 13/08; Y10S 297/01;
Y10S 297/02; Y10S 482/907; Y10S
5/911; Y10S 5/915
See application file for complete search history.

D278,004 S * 3/1985 Sigona D6/361
D286,586 S * 11/1986 Radford D6/334
D361,905 S * 9/1995 Adams D6/334
D363,828 S * 11/1995 Lockwood D6/361
5,474,513 A * 12/1995 Carlesimo A61F 5/01
482/140
D366,966 S * 2/1996 Bonaddio D6/335
D372,805 S * 8/1996 Bonaddio D6/334
D377,305 S * 1/1997 Bliss D32/42
D396,757 S * 8/1998 Katz D6/335
5,795,276 A * 8/1998 Almeda A63B 21/00047
482/140
D418,987 S * 1/2000 Panton D6/335
D490,618 S * 6/2004 Green D6/361
D521,301 S * 5/2006 Dickson D6/601
D530,933 S * 10/2006 Vitaro D6/361
D542,071 S * 5/2007 Chan D6/601
D550,974 S * 9/2007 Thornbury D6/361
D565,372 S * 4/2008 Stegmeier D8/45
D643,638 S * 8/2011 Weichselbaumer D6/361
D644,795 S * 9/2011 Haaf D30/160

(Continued)

Primary Examiner — Kevin K Rudzinski
Assistant Examiner — Paul D Bohannon
(74) *Attorney, Agent, or Firm* — Thorpe North &
Western, LLP

(57) **CLAIM**

The ornamental design for the chair, as shown and described herein.

DESCRIPTION

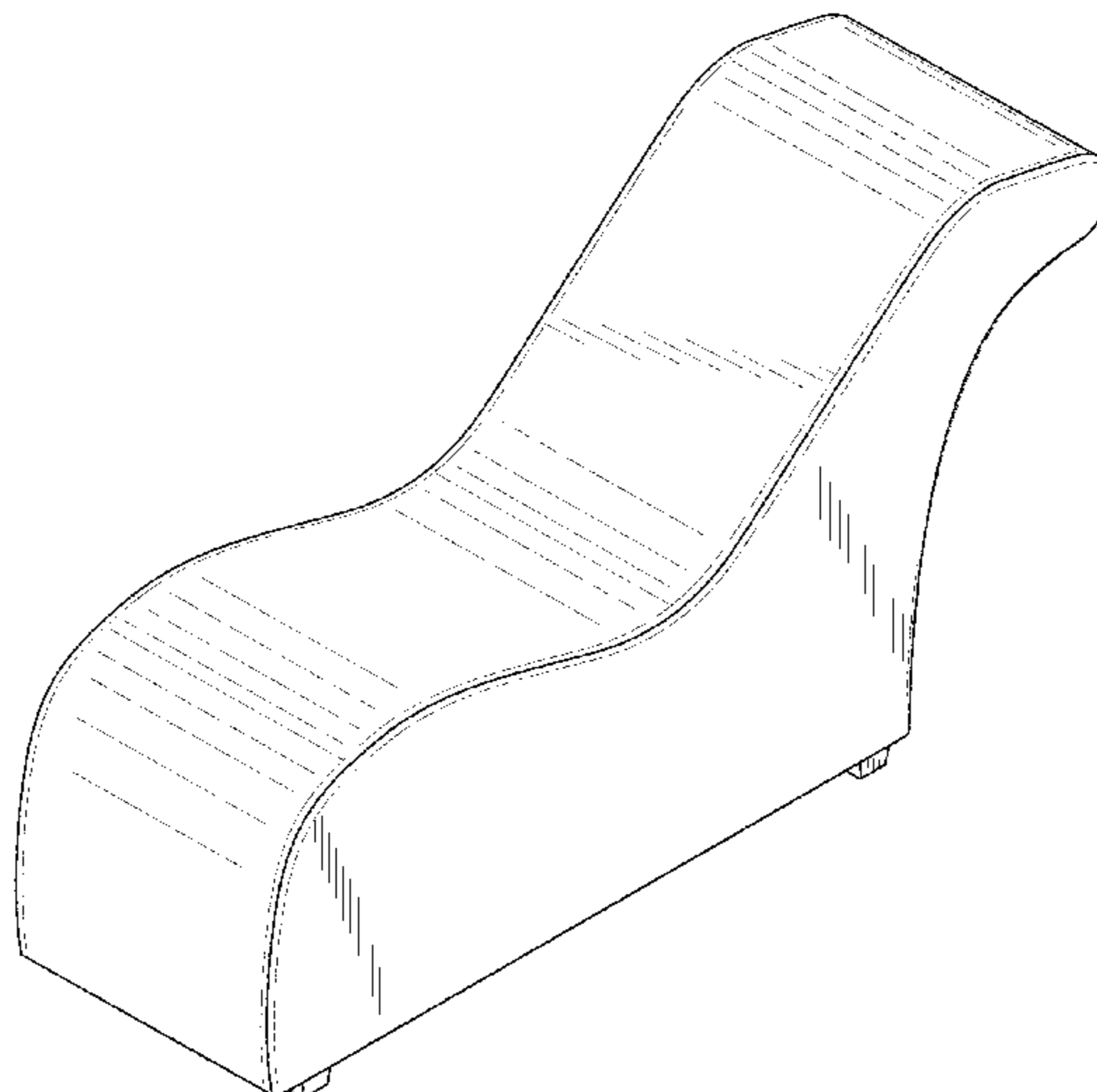
FIG. 1 is a front perspective view of the chair in accordance with my invention;
FIG. 2 is a side view thereof;
FIG. 3 is an opposite side view of FIG. 2;
FIG. 4 is a front view of the invention as shown in FIG. 1;
FIG. 5 is a back view of FIG. 4;
FIG. 6 is a top view of the invention; and,
FIG. 7 is a bottom view of the invention.

1 Claim, 5 Drawing Sheets

(56) **References Cited**

U.S. PATENT DOCUMENTS

2,281,629 A * 5/1942 Snow A47D 13/08
128/845
2,593,319 A * 4/1952 Levitin A47C 1/146
297/119
D228,428 S * 9/1973 Wilson D6/361
4,027,888 A * 6/1977 Wilcox A47C 3/16
297/284.1
D249,304 S * 9/1978 Nash D6/361
D274,576 S * 7/1984 Tiffany D6/335



(56)

References Cited

U.S. PATENT DOCUMENTS

D645,268 S * 9/2011 Robson D6/361
D648,551 S * 11/2011 Clark D6/361
D651,371 S * 12/2011 Seliskar D30/118
8,671,484 B1 * 3/2014 Logiodice A47D 15/005
5/655
9,179,770 B2 * 11/2015 Turner A47D 1/04
D745,786 S * 12/2015 Ko D6/361
D748,406 S * 2/2016 Pham D6/361
9,615,986 B2 * 4/2017 Santinelli Ramos
A61G 13/009
D804,598 S * 12/2017 Albert D21/797
D807,973 S * 1/2018 Leonardo D21/686
D817,653 S * 5/2018 Lee D6/361

* cited by examiner

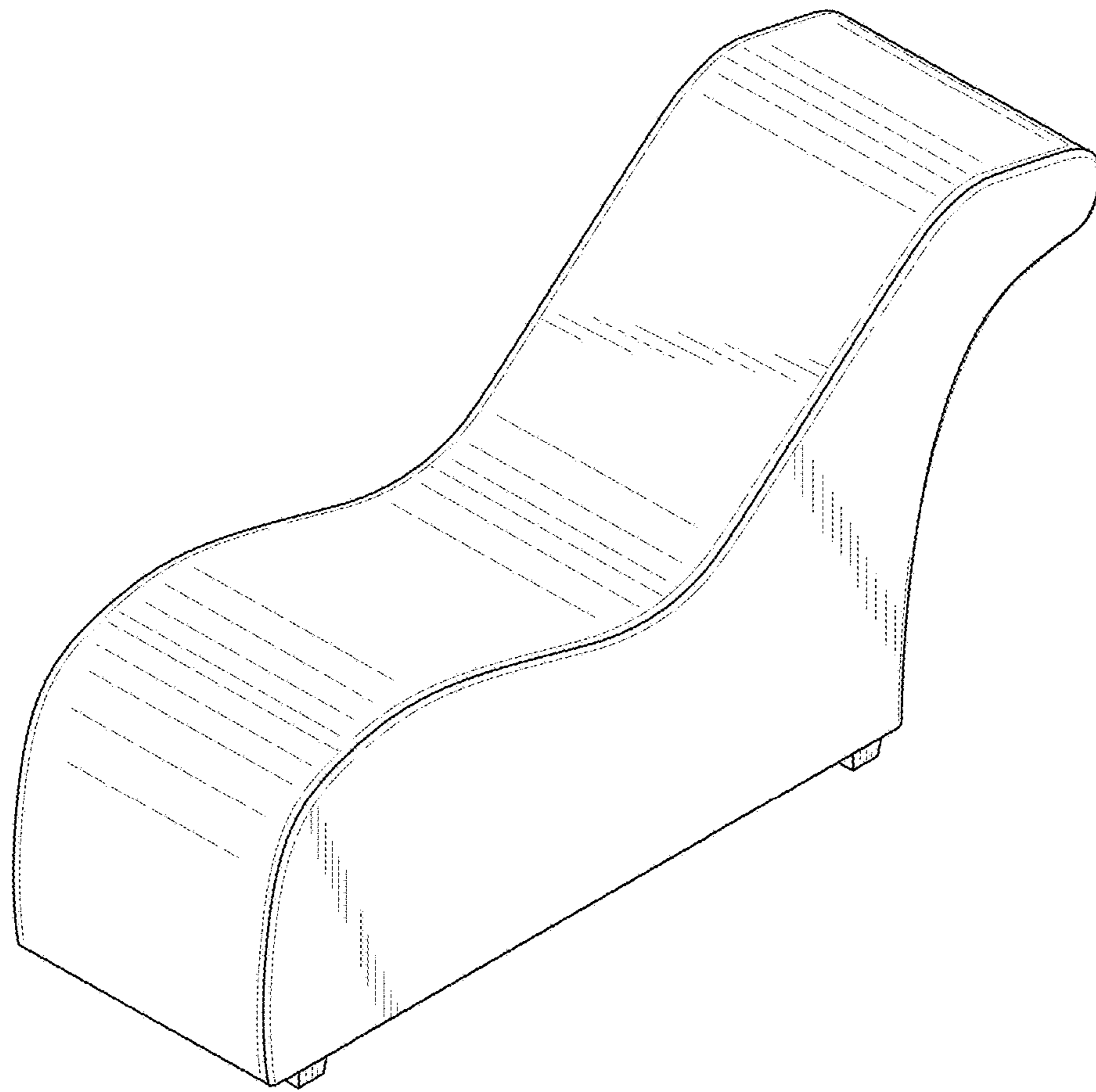


FIG. 1

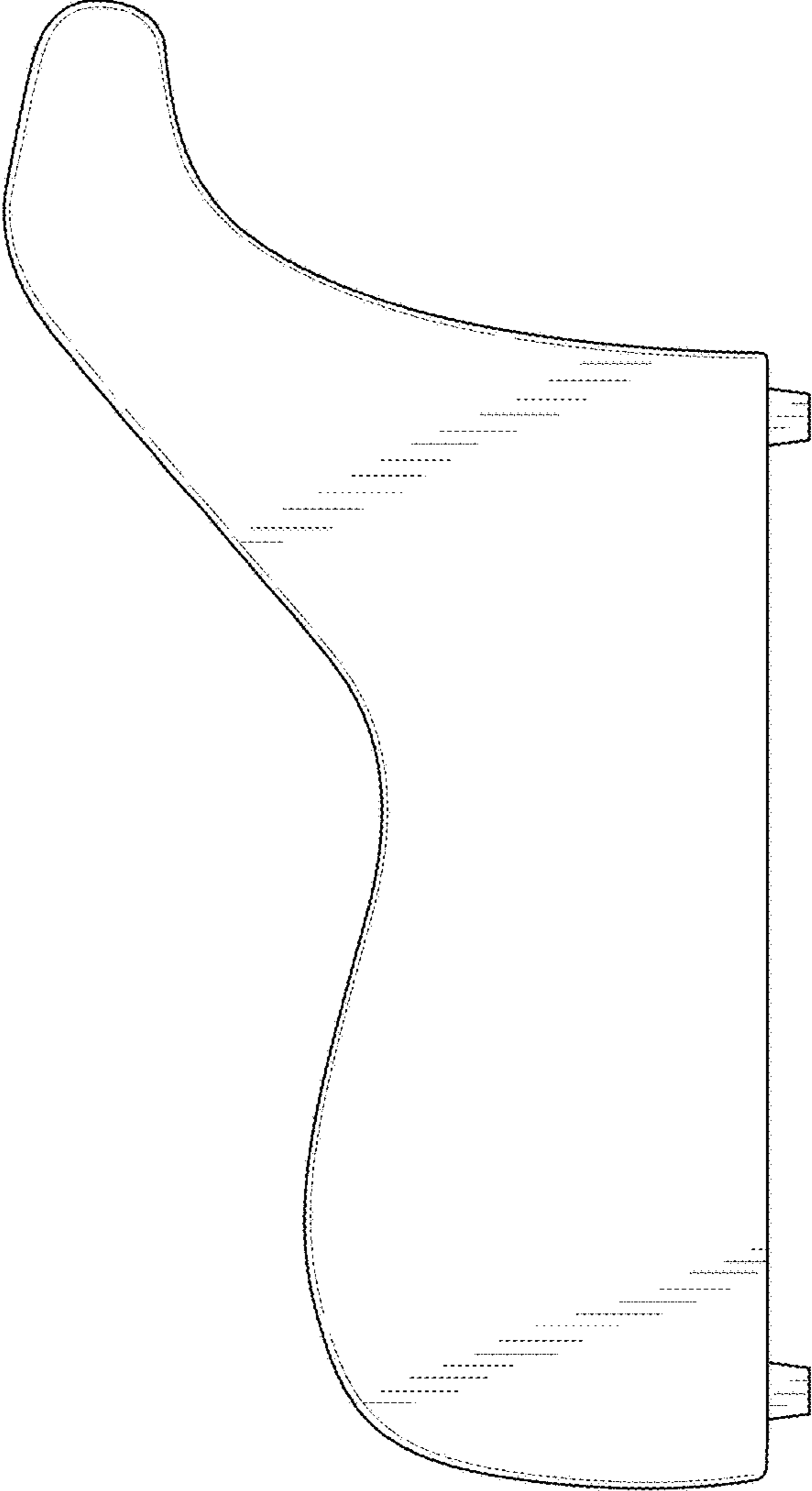


FIG. 2

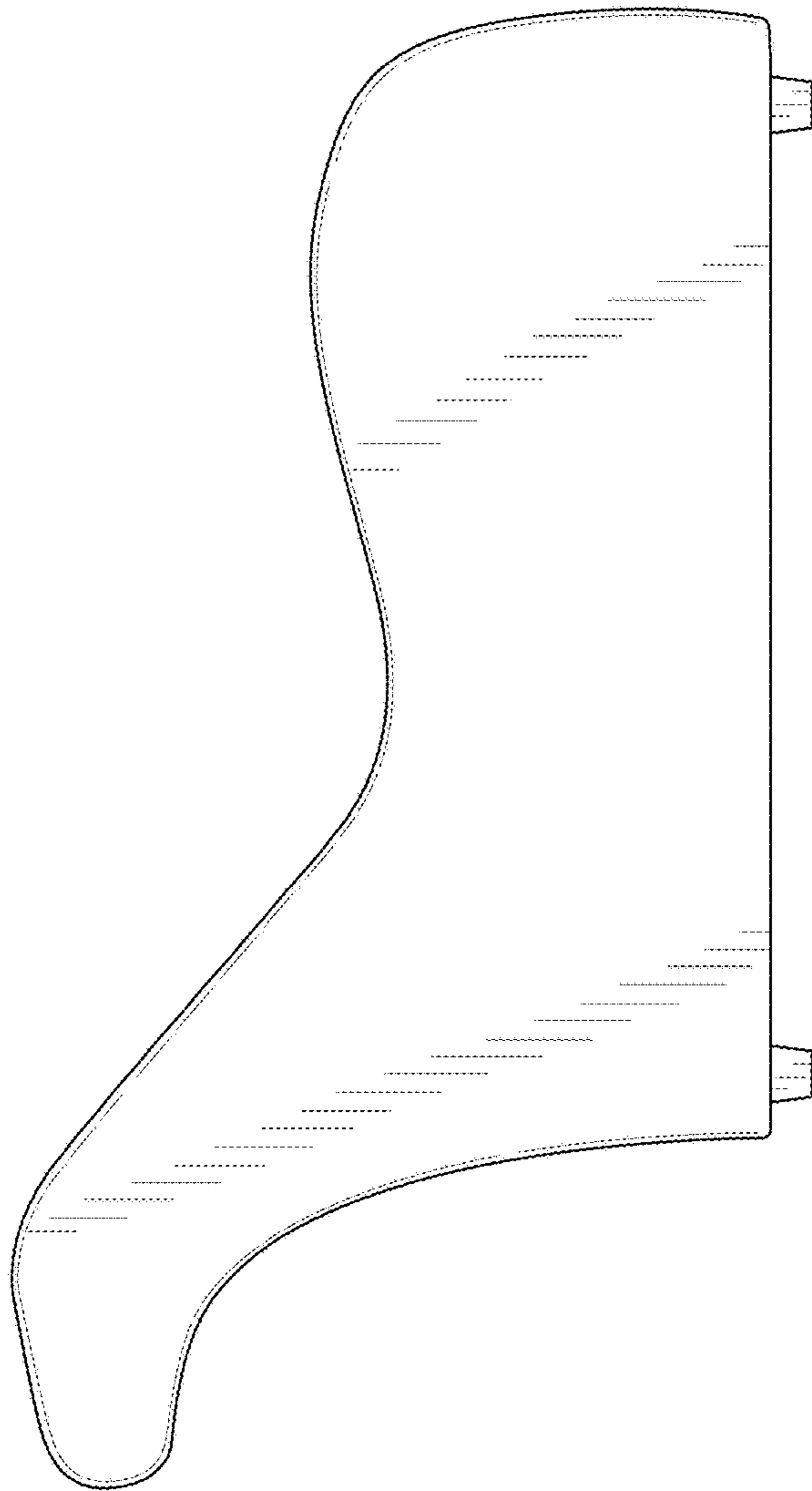


FIG. 3

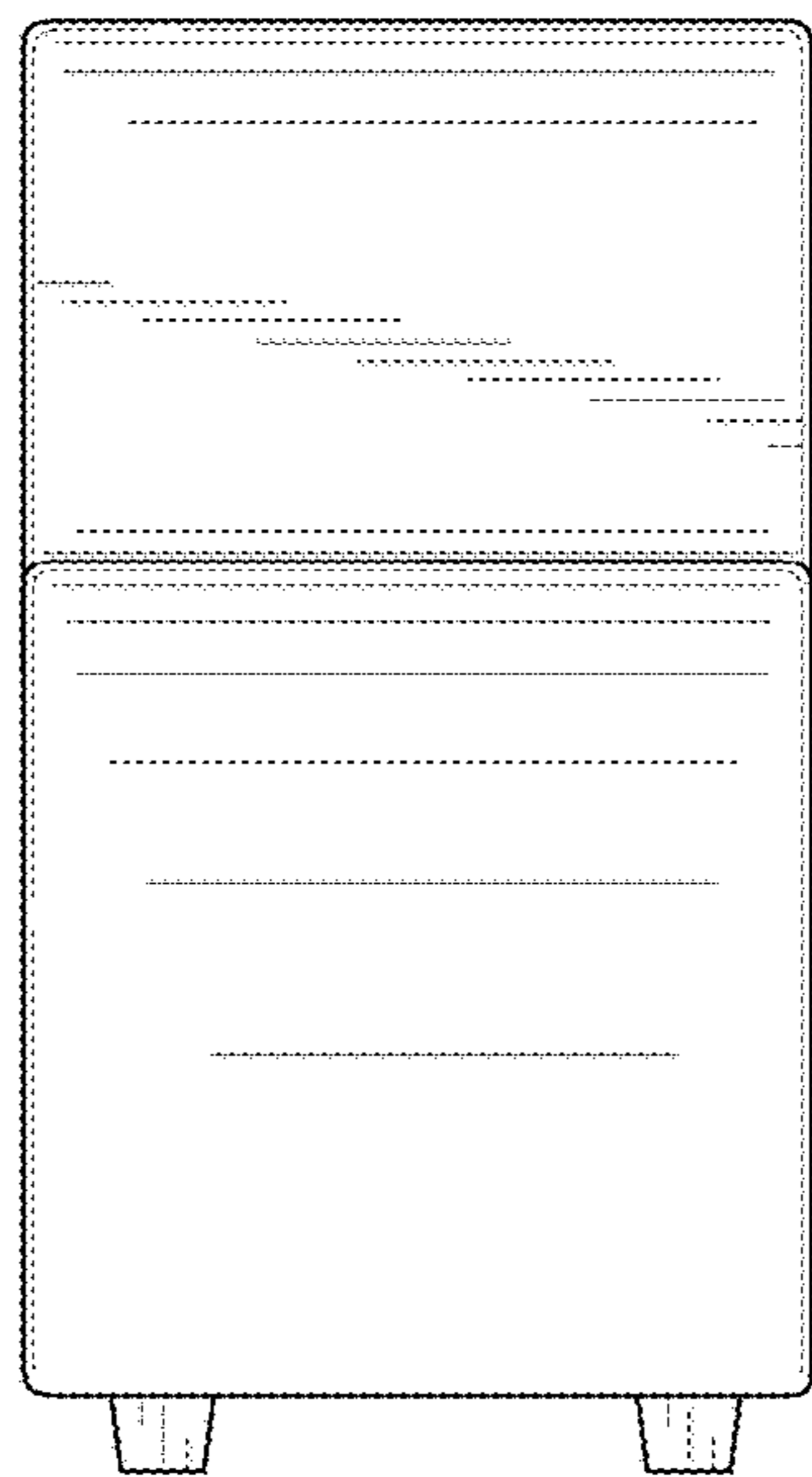


FIG. 4

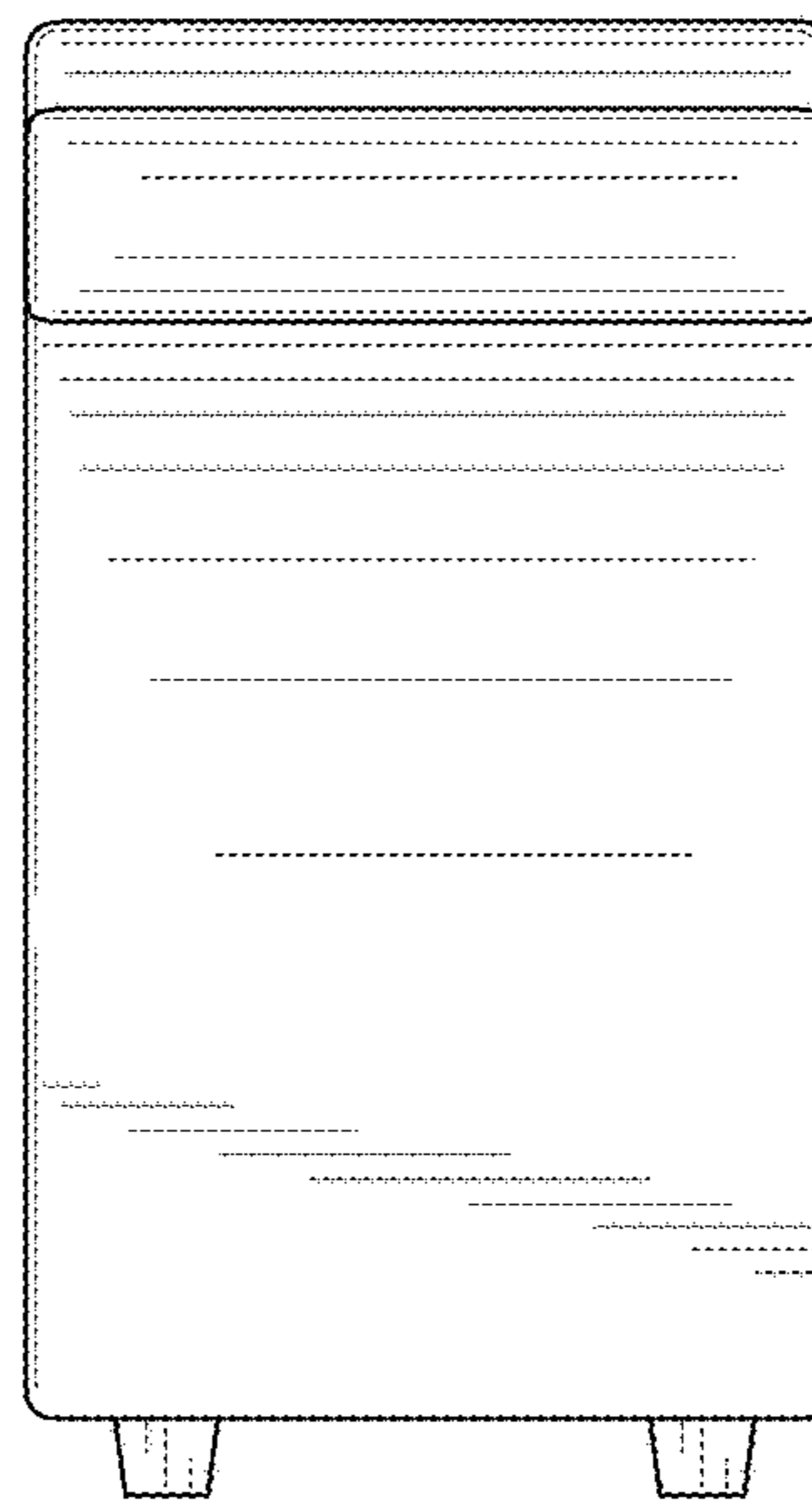


FIG. 5

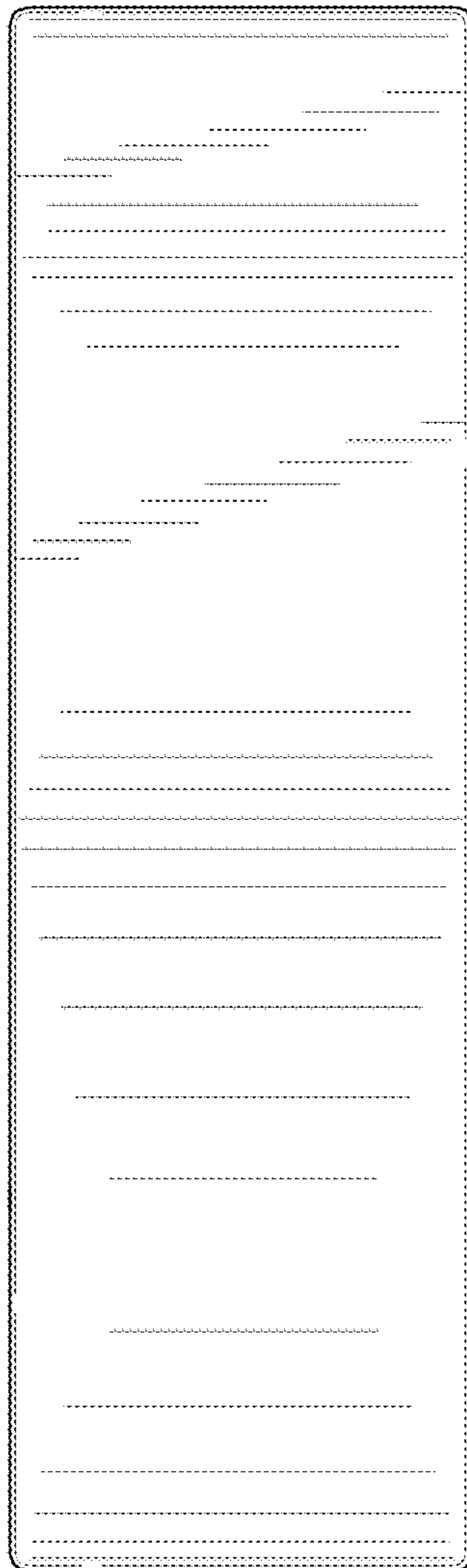


FIG. 6

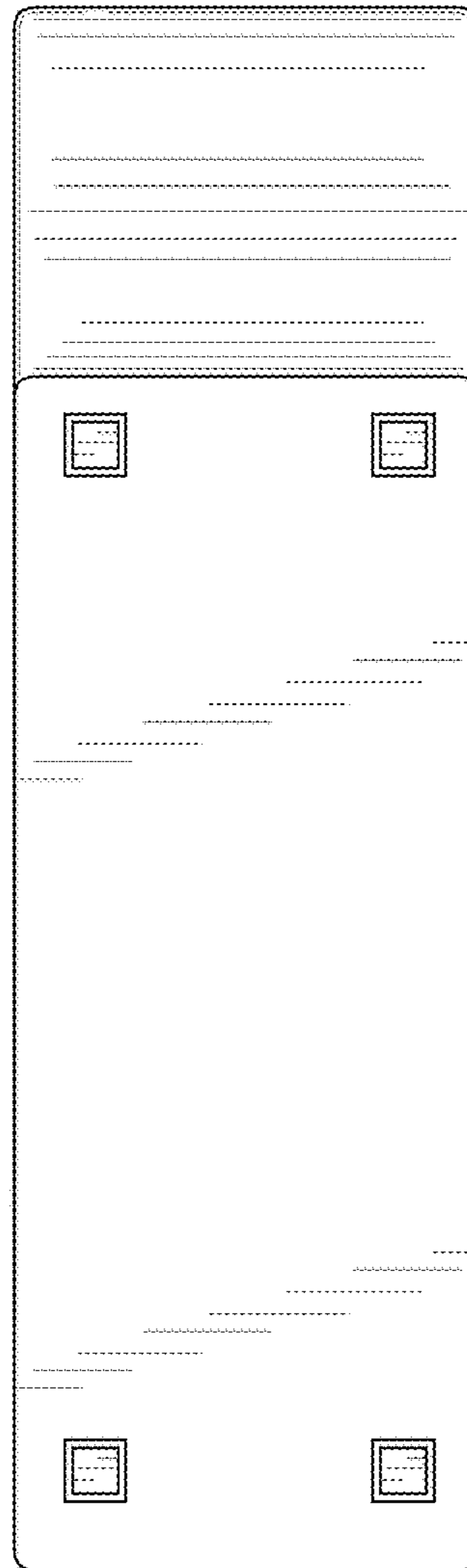


FIG. 7