



US00D845013S

(12) **United States Design Patent**  
**Stell et al.**

(10) **Patent No.:** **US D845,013 S**

(45) **Date of Patent:** **\*\* Apr. 9, 2019**

(54) **STOOL**

(71) Applicants: **Edward B. Stell**, New Market, AL  
(US); **Jesse D. Young**, Hazel Green, AL  
(US)

(72) Inventors: **Edward B. Stell**, New Market, AL  
(US); **Jesse D. Young**, Hazel Green, AL  
(US)

(\*\*) **Term:** **15 Years**

(21) **Appl. No.:** **29/611,267**

(22) **Filed:** **Jul. 20, 2017**

(51) **LOC (11) Cl.** ..... **06-01**

(52) **U.S. Cl.**  
USPC ..... **D6/351**

(58) **Field of Classification Search**  
USPC ..... D6/334-338, 340-343, 349-353, 355,  
D6/358, 360, 364-365, 367, 371-373,  
D6/381, 596, 597, 601, 604, 691-691.9,  
D6/692-692.6, 708.2, 708, 716-716.1;  
D25/65

CPC ..... A47C 11/00; A47C 12/00; A47C 3/18;  
A47C 9/002; A47C 16/00; A47C  
16/02-16/04; A47K 17/02; A47K 17/028

See application file for complete search history.

(56) **References Cited**

**U.S. PATENT DOCUMENTS**

D171,475 S \* 2/1954 Yarger ..... D6/692.6  
D305,850 S \* 2/1990 Peterson ..... D6/334  
D383,761 S \* 9/1997 Huntzinger ..... D15/5  
D573,375 S \* 7/2008 Kreiss ..... D6/692.3  
D575,107 S \* 8/2008 Martin ..... D7/509  
D618,416 S \* 6/2010 Lenterman ..... D34/4  
D638,036 S \* 5/2011 Hamada ..... D15/7

D653,059 S \* 1/2012 Birch ..... D6/690  
D713,422 S \* 9/2014 Muscas ..... D15/5  
D721,526 S \* 1/2015 Bosman ..... D6/692.3  
D724,872 S \* 3/2015 Skalka ..... D6/692.4  
D737,861 S \* 9/2015 He ..... D15/5  
D741,073 S \* 10/2015 Keen ..... D6/349  
D742,921 S \* 11/2015 Nakao ..... D15/5  
D768,207 S \* 10/2016 Riffe ..... D15/5  
D801,714 S \* 11/2017 Elmaleh ..... D6/352

**OTHER PUBLICATIONS**

Piston Table. [online] Published on Oct. 9, 2014. Retrieved Apr. 3, 2018 from URL: [http://4.bp.blogspot.com/-SuLqkp9dO3l/UcFH5yje6MI/AAAAAAACI7c/low\\_PInzjKU/s1600/DSC\\_0251.JPG](http://4.bp.blogspot.com/-SuLqkp9dO3l/UcFH5yje6MI/AAAAAAACI7c/low_PInzjKU/s1600/DSC_0251.JPG).\*

\* cited by examiner

*Primary Examiner* — Vy N Koenig

(74) *Attorney, Agent, or Firm* — Wallace G. Walter

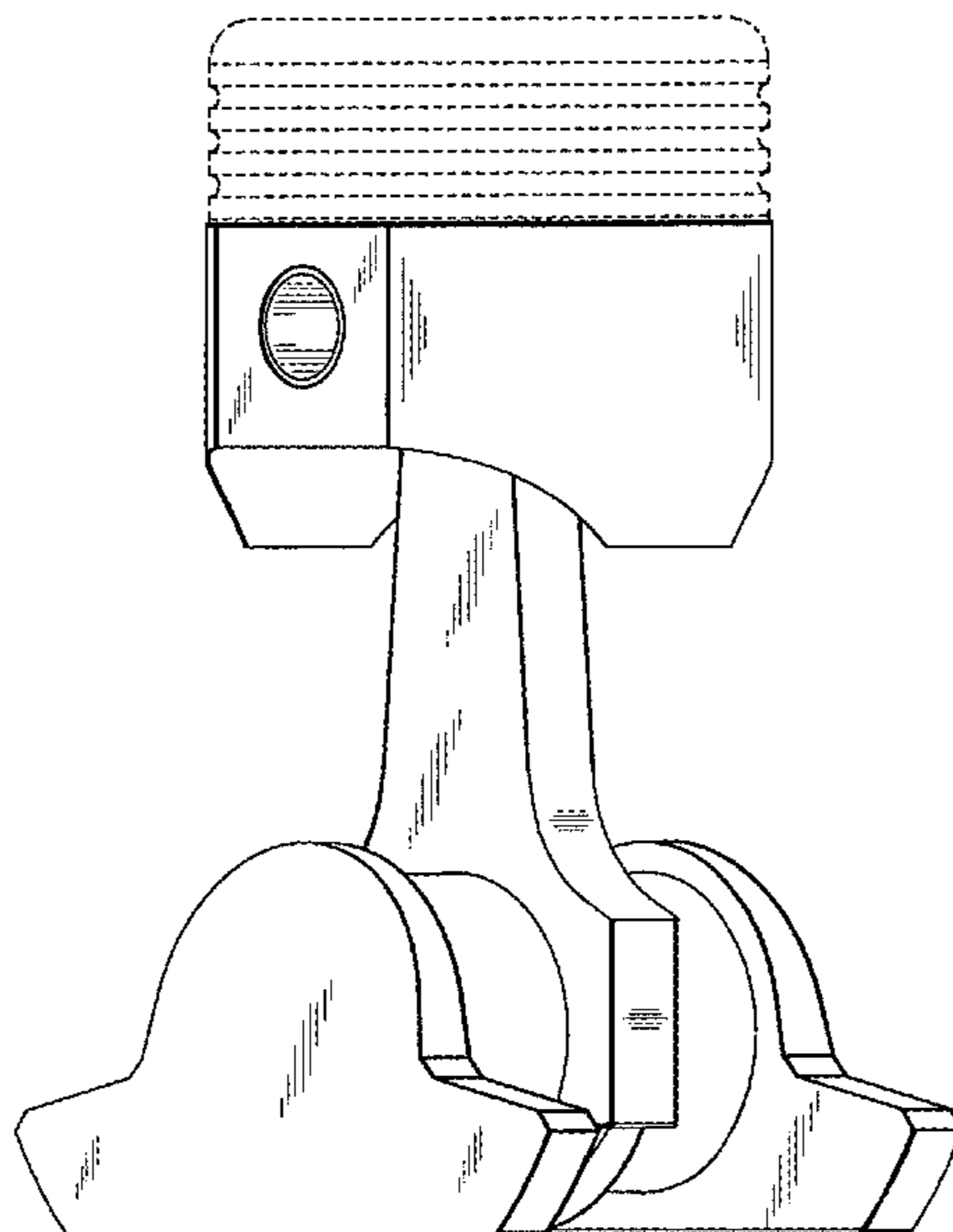
(57) **CLAIM**

The ornamental design for a stool, as shown and described.

**DESCRIPTION**

FIG. 1 is a front elevational view showing our new design, the rear view being the same;  
FIG. 2 is a left-side elevational view thereof, the right-side elevational view being the same;  
FIG. 3 is an elevation view thereof, with the stool rotated about the vertical axis to a position intermediate that of FIG. 1 and FIG. 2; and,  
FIG. 4 is a perspective view thereof.  
In FIGS. 1-4, features shown in broken-line depict environmental subject matter and form no part of the claimed design.

**1 Claim, 4 Drawing Sheets**



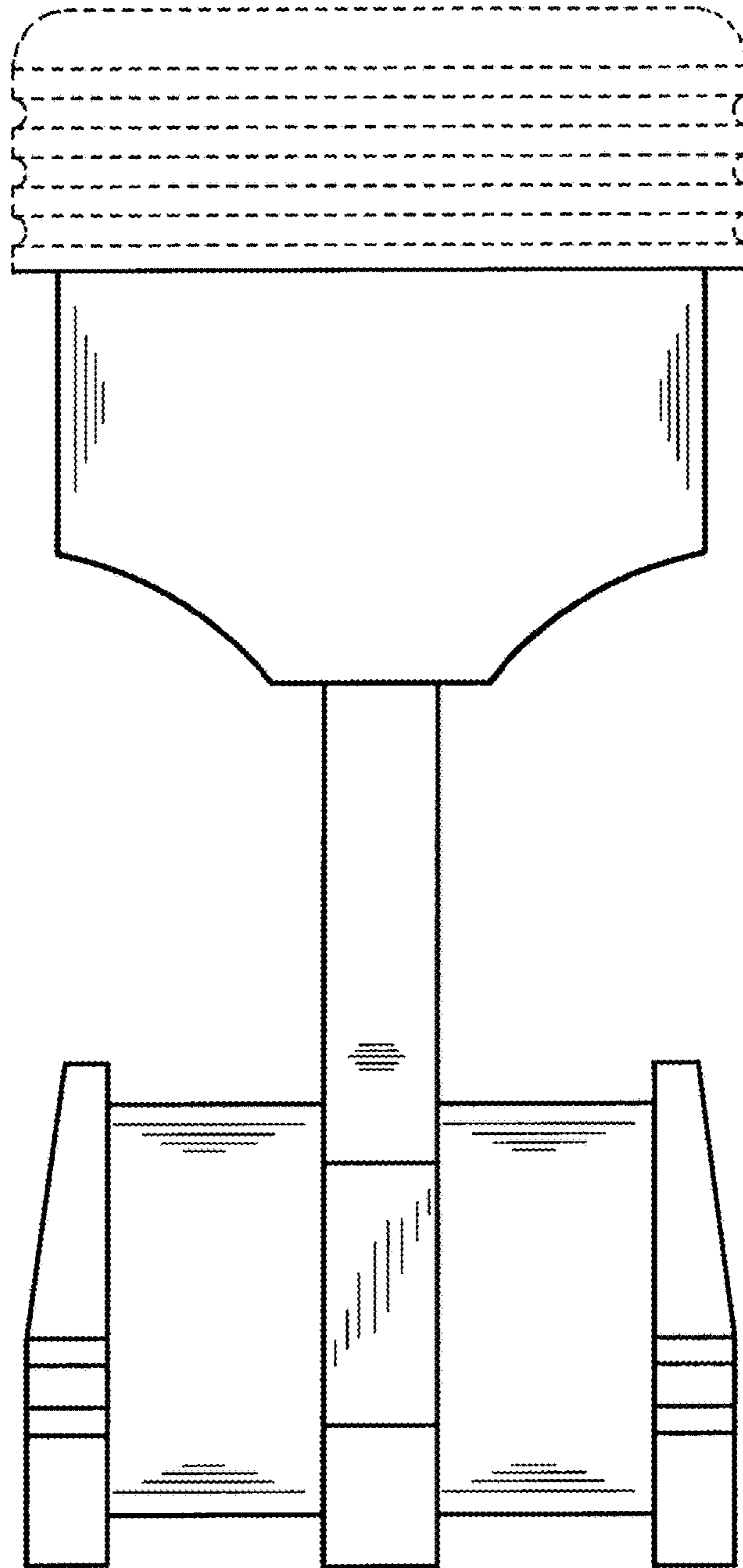


FIG. 1

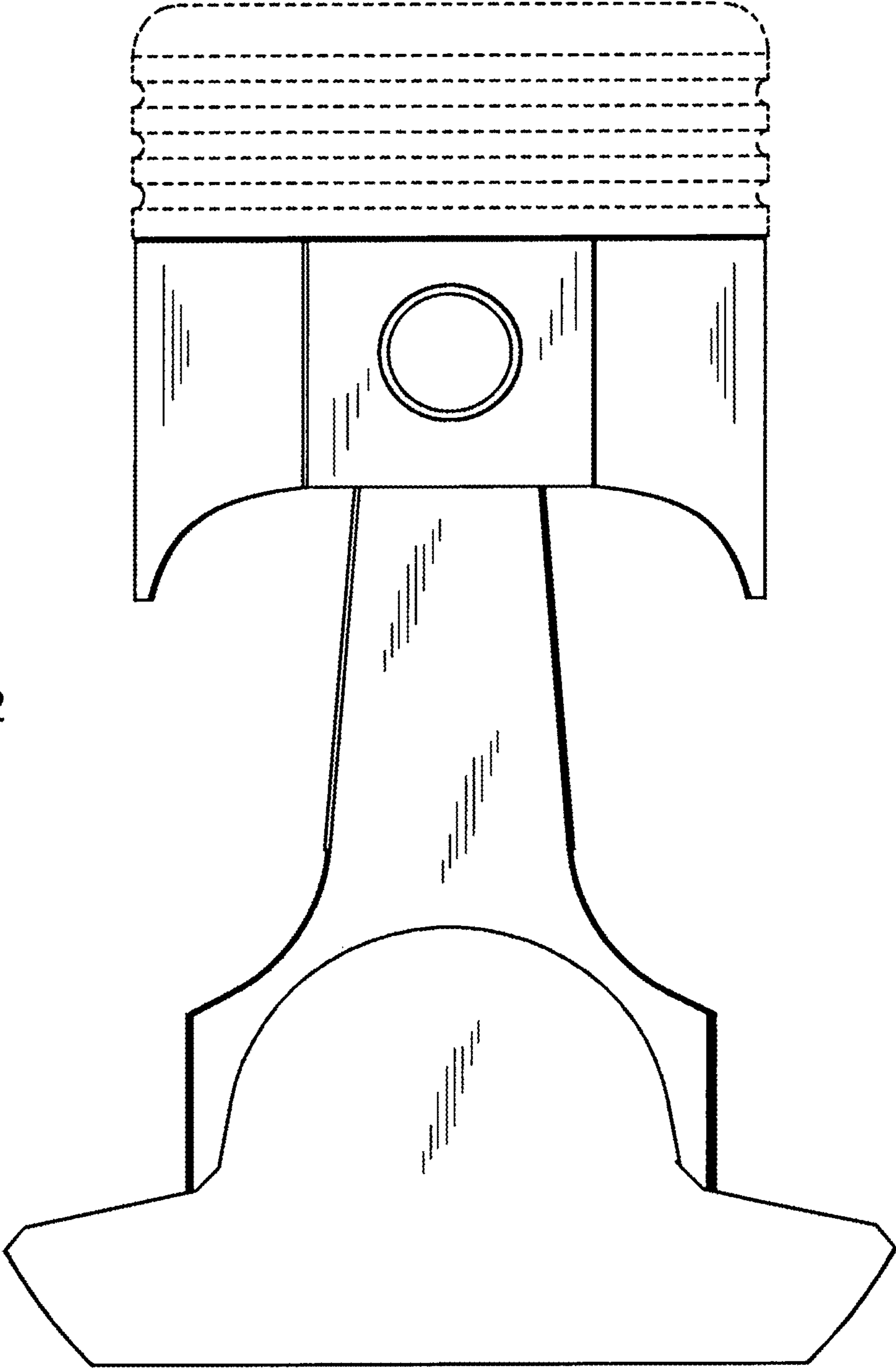


FIG. 2

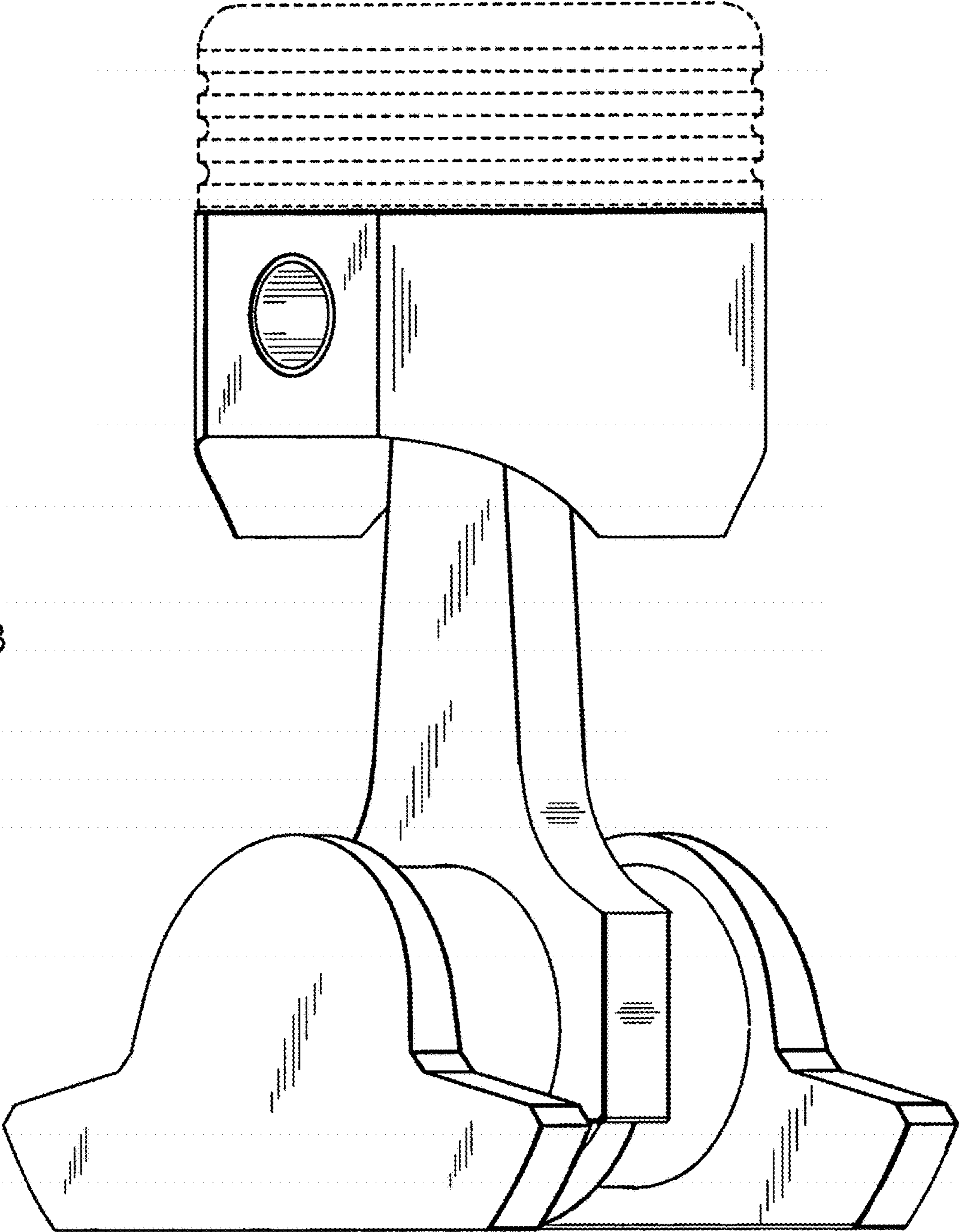


FIG. 3

FIG. 4

