



US00D845012S

(12) **United States Design Patent** (10) **Patent No.:** **US D845,012 S**  
**Thomas** (45) **Date of Patent:** **\*\* Apr. 9, 2019**

(54) **VEHICLE STEP STOOL**  
(71) Applicant: **Carolyn Thomas**, Austin, TX (US)  
(72) Inventor: **Carolyn Thomas**, Austin, TX (US)  
(\*\*) Term: **15 Years**  
(21) Appl. No.: **29/632,594**  
(22) Filed: **Jan. 9, 2018**

D473,735 S \* 4/2003 Moore ..... D6/691.6  
D506,080 S \* 6/2005 Ho ..... D6/349  
D508,336 S \* 8/2005 Suzuki ..... D6/349  
D553,370 S \* 10/2007 Meyers ..... D6/350  
D557,513 S \* 12/2007 Benden ..... D6/349  
D661,129 S \* 6/2012 Schweikarth ..... D6/349  
D698,163 S \* 1/2014 Edwards ..... D6/349  
8,925,682 B2 1/2015 Chitayat  
9,145,092 B1 9/2015 Reynolds  
9,282,819 B2 \* 3/2016 Blake ..... A47B 87/002  
D776,860 S \* 1/2017 Rashid ..... D26/107

(51) **LOC (11) Cl.** ..... **06-01**  
(52) **U.S. Cl.**  
USPC ..... **D6/349**  
(58) **Field of Classification Search**  
USPC ..... D6/334-338, 340-343, 349-353, 355,  
D6/358, 364-365, 597, 691-691.9,  
D6/692-692.6, 716-716.1  
CPC .. A47B 7/00-7/02; A47C 11/00; A47C 12/00;  
A47C 13/00; A47C 16/00; A47C 16/02;  
A47C 16/04; A47C 9/00-9/105; A47K  
17/02; A47K 17/028  
See application file for complete search history.

**OTHER PUBLICATIONS**

Vestil Stainless Steel Medical Step Stand with Handle FT-SS-1HR.  
[online] Published on Jan. 25, 2017. Retrieved Nov. 8, 2018 from  
URL: [https://www.globalindustrial.com/p/medical-lab/medical-equipment/patient-room/vestil-stainless-steel-medical-step-stand-with-handle-ss-1-hdl.\\*](https://www.globalindustrial.com/p/medical-lab/medical-equipment/patient-room/vestil-stainless-steel-medical-step-stand-with-handle-ss-1-hdl.*)

\* cited by examiner

*Primary Examiner* — Vy N Koenig

(57) **CLAIM**

I claim the ornamental design for a vehicle step stool, as shown and described.

(56) **References Cited**

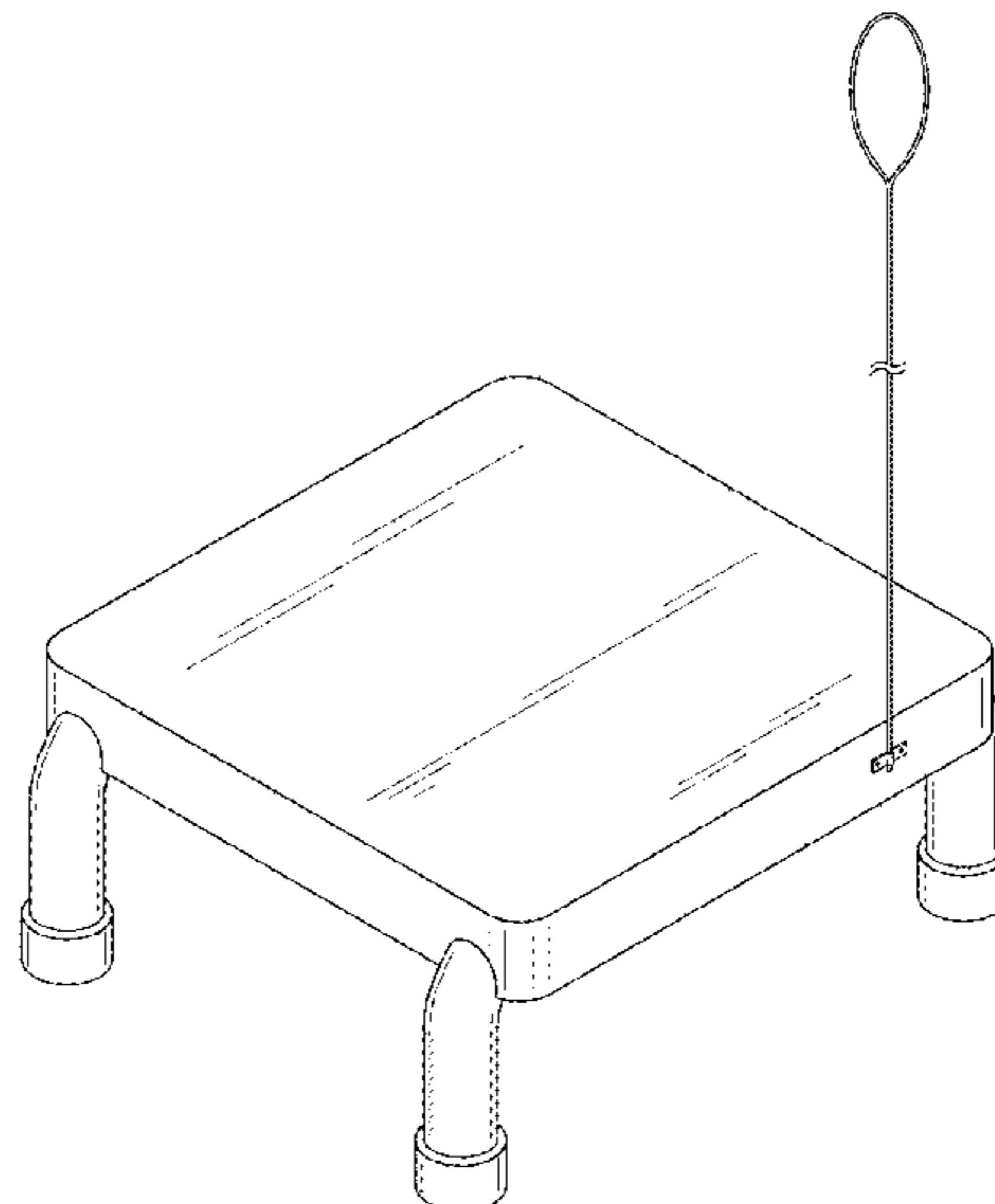
**U.S. PATENT DOCUMENTS**

606,932 A 7/1898 Maxdn  
1,239,892 A 9/1917 Dunderdale  
1,786,458 A \* 12/1930 Shipman ..... A47C 9/02  
174/138 R  
3,338,190 A \* 8/1967 Hammond ..... A47C 4/02  
108/156  
3,817,554 A 6/1974 Cuffe  
4,113,161 A 9/1978 Manuszak  
D271,256 S 11/1983 McClelland  
D282,613 S \* 2/1986 De Fuccio ..... D6/691.8  
D294,318 S \* 2/1988 Zapf ..... D6/691.6  
5,518,084 A 5/1996 Short  
D379,682 S \* 6/1997 Rafaat ..... D21/797

**DESCRIPTION**

FIG. 1 is a front view of the vehicle step stool.  
FIG. 2 is a side view of the claimed design.  
FIG. 3 is a top view of the claimed design.  
FIG. 4 is a bottom view of the claimed design.  
FIG. 5 is a top perspective view of the claimed design; and,  
FIG. 6 is a bottom perspective view of the claimed design.  
The symbolic break lines in the drawings convey that the appearance of any portion between the symbolic break lines forms no part of the claimed design.

**1 Claim, 6 Drawing Sheets**



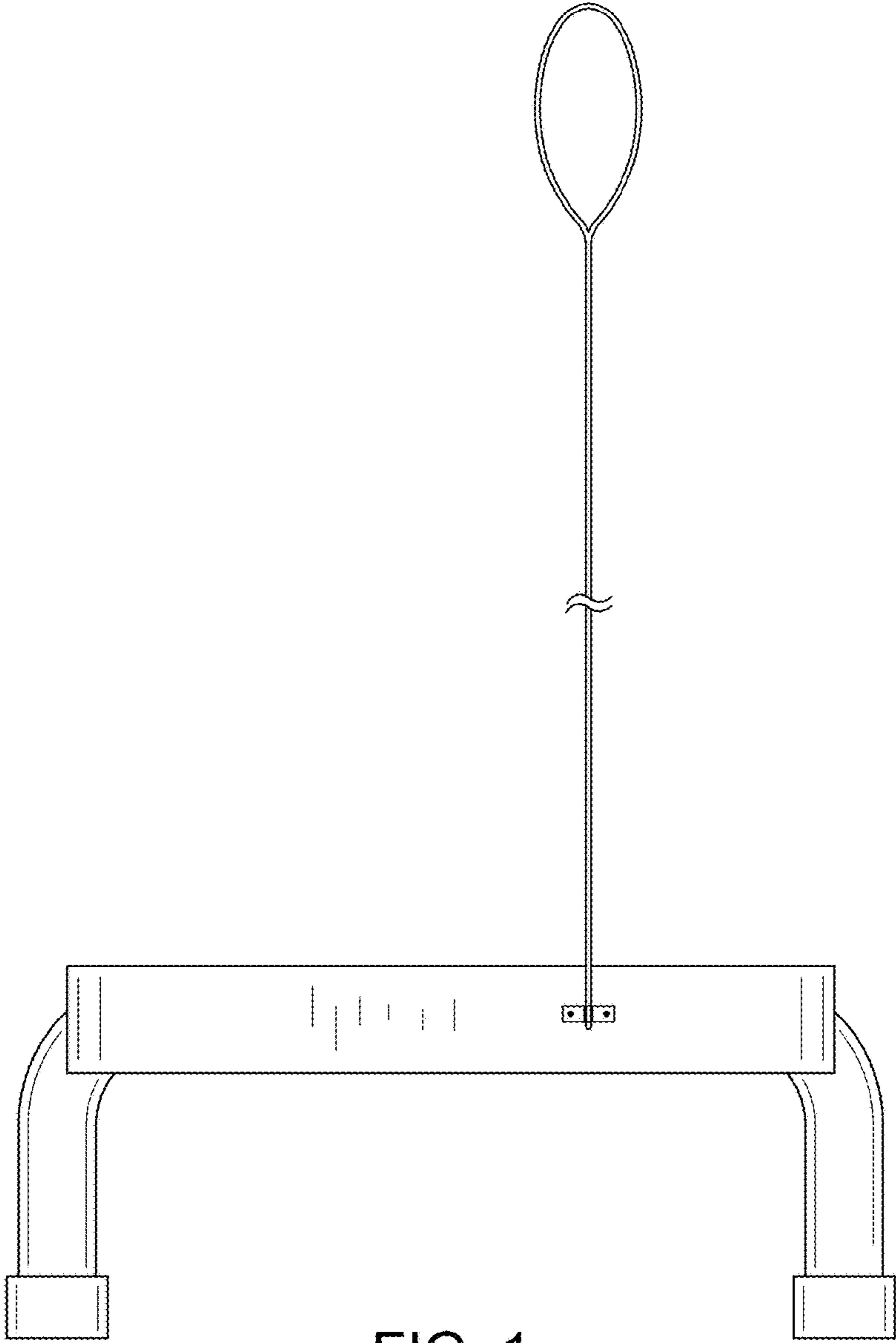


FIG. 1

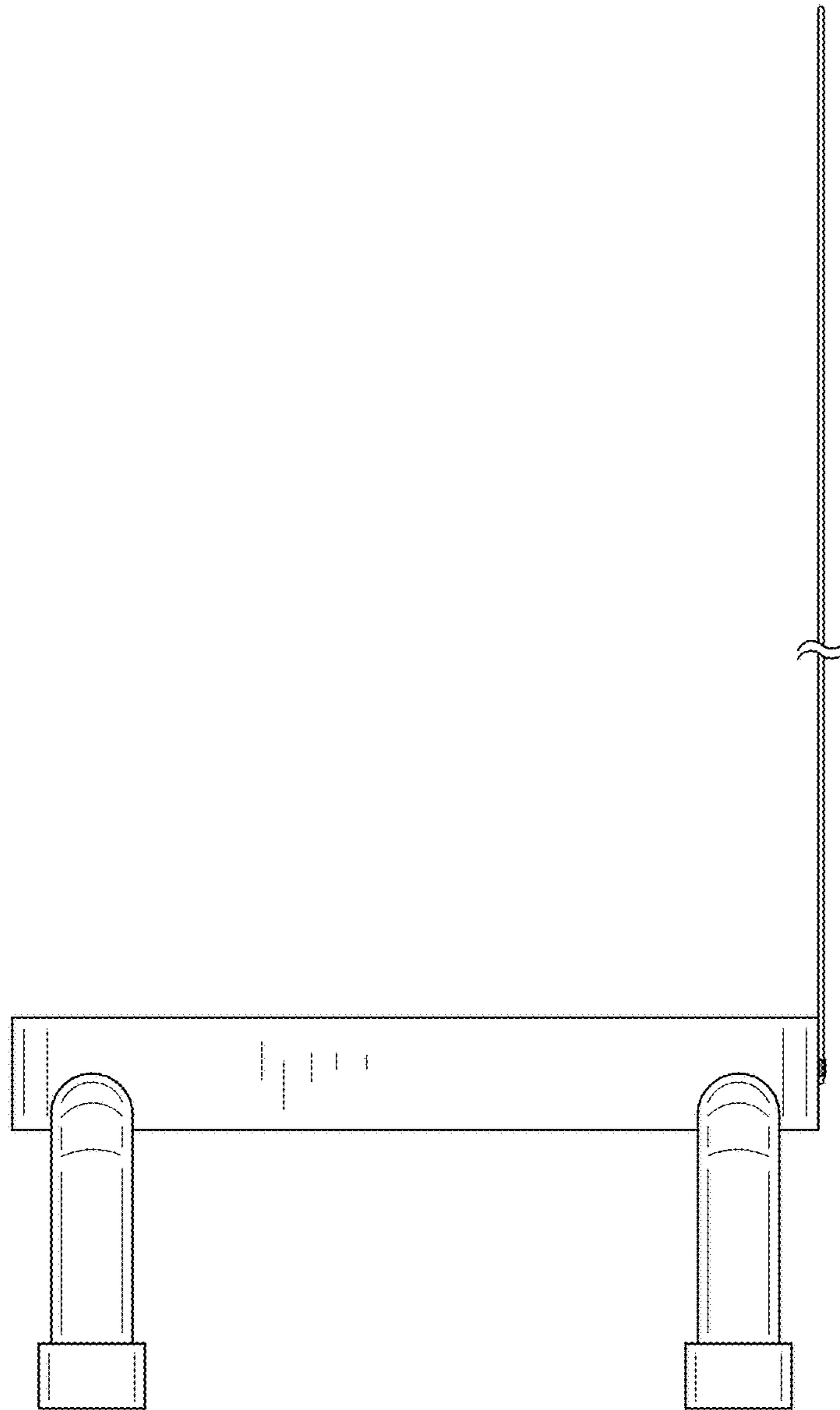


FIG. 2

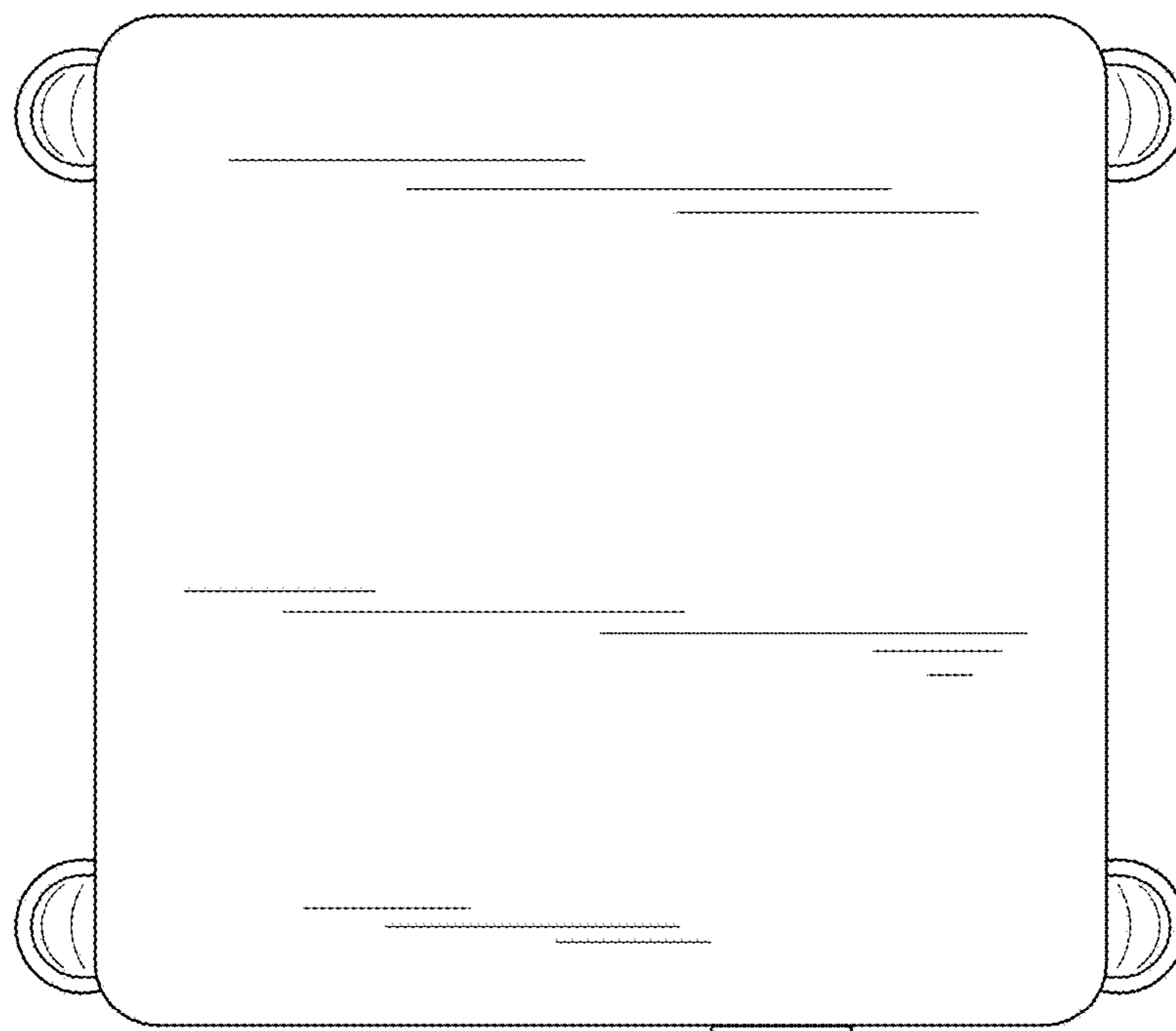


FIG. 3

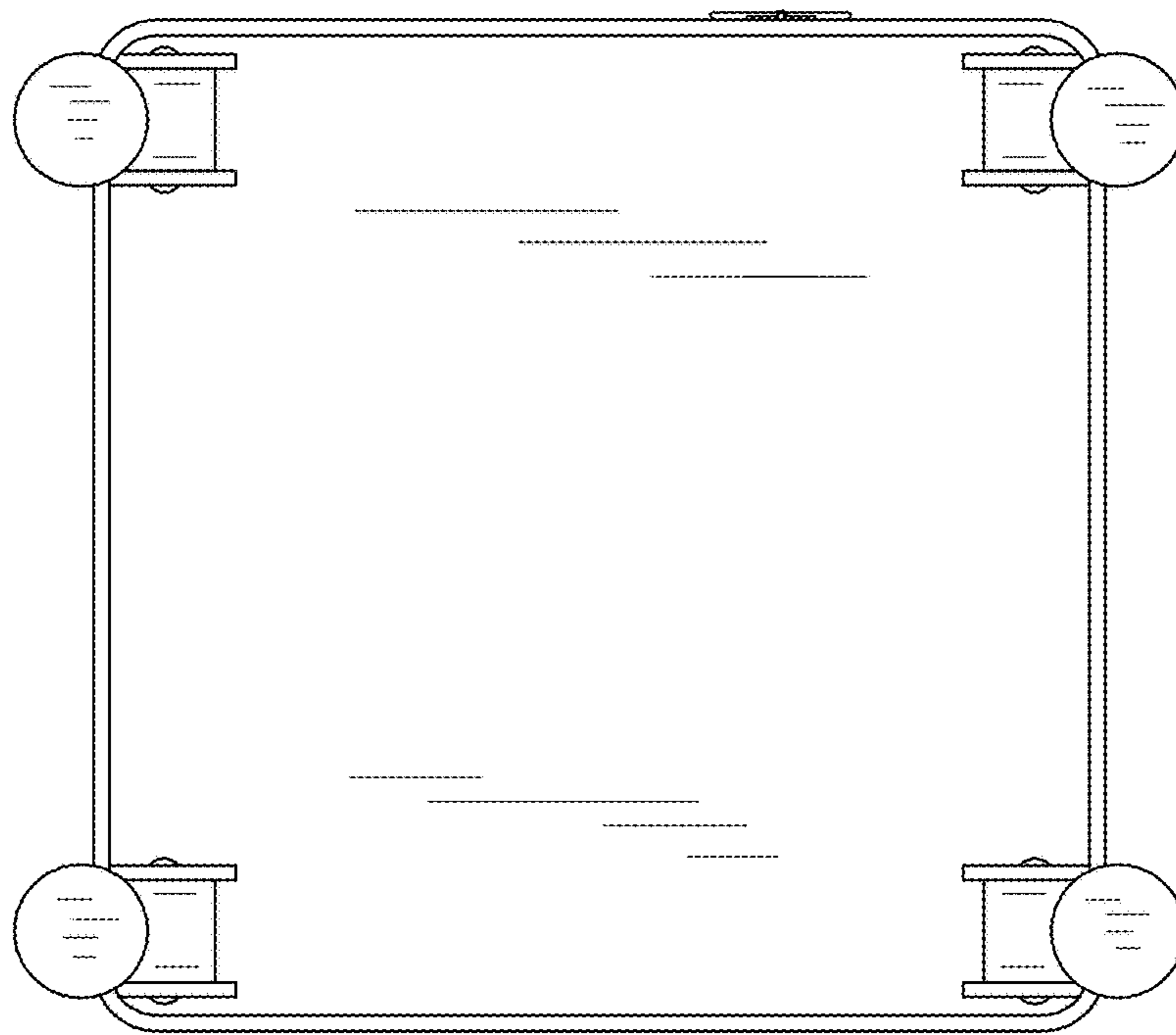


FIG. 4

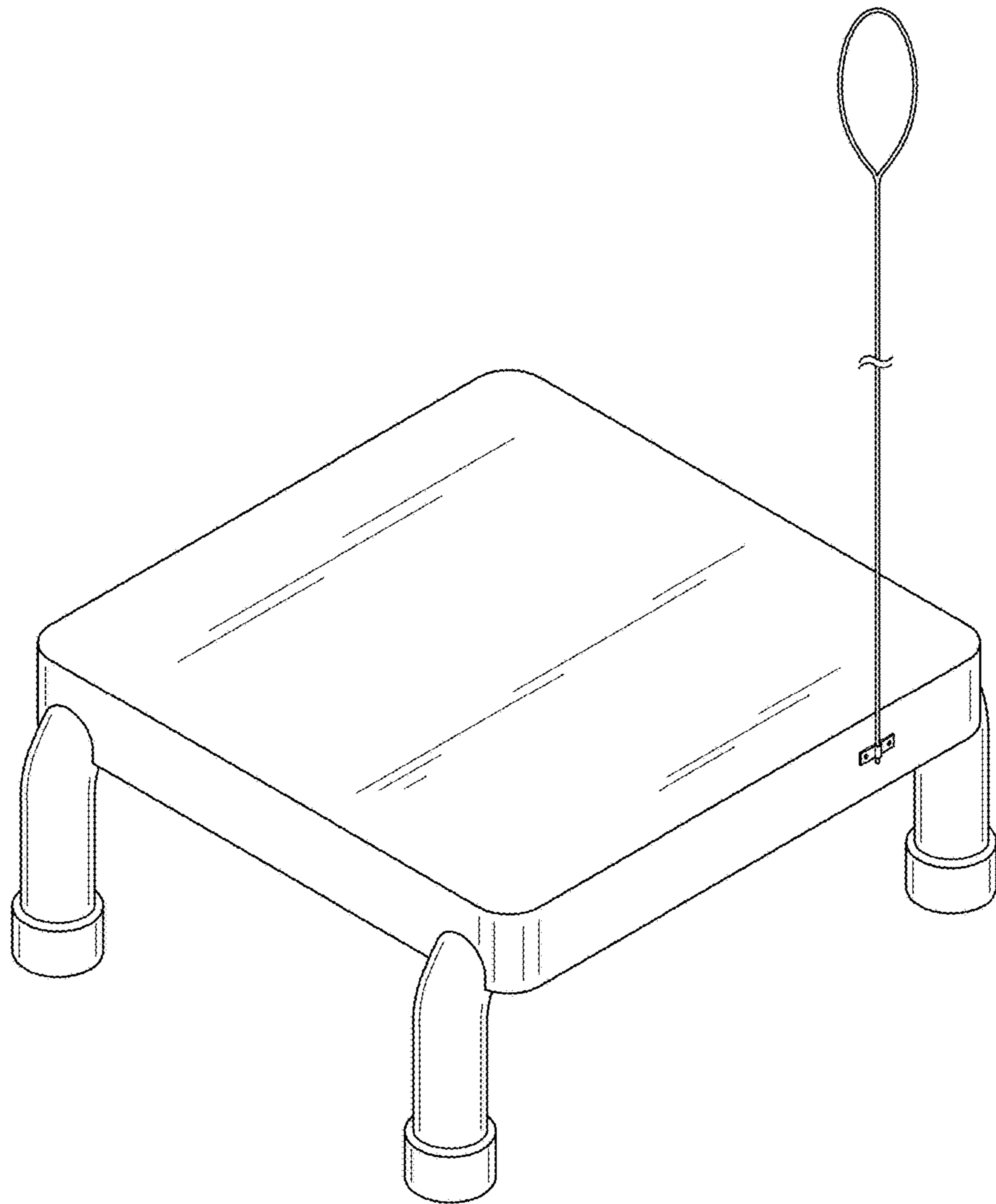


FIG. 5

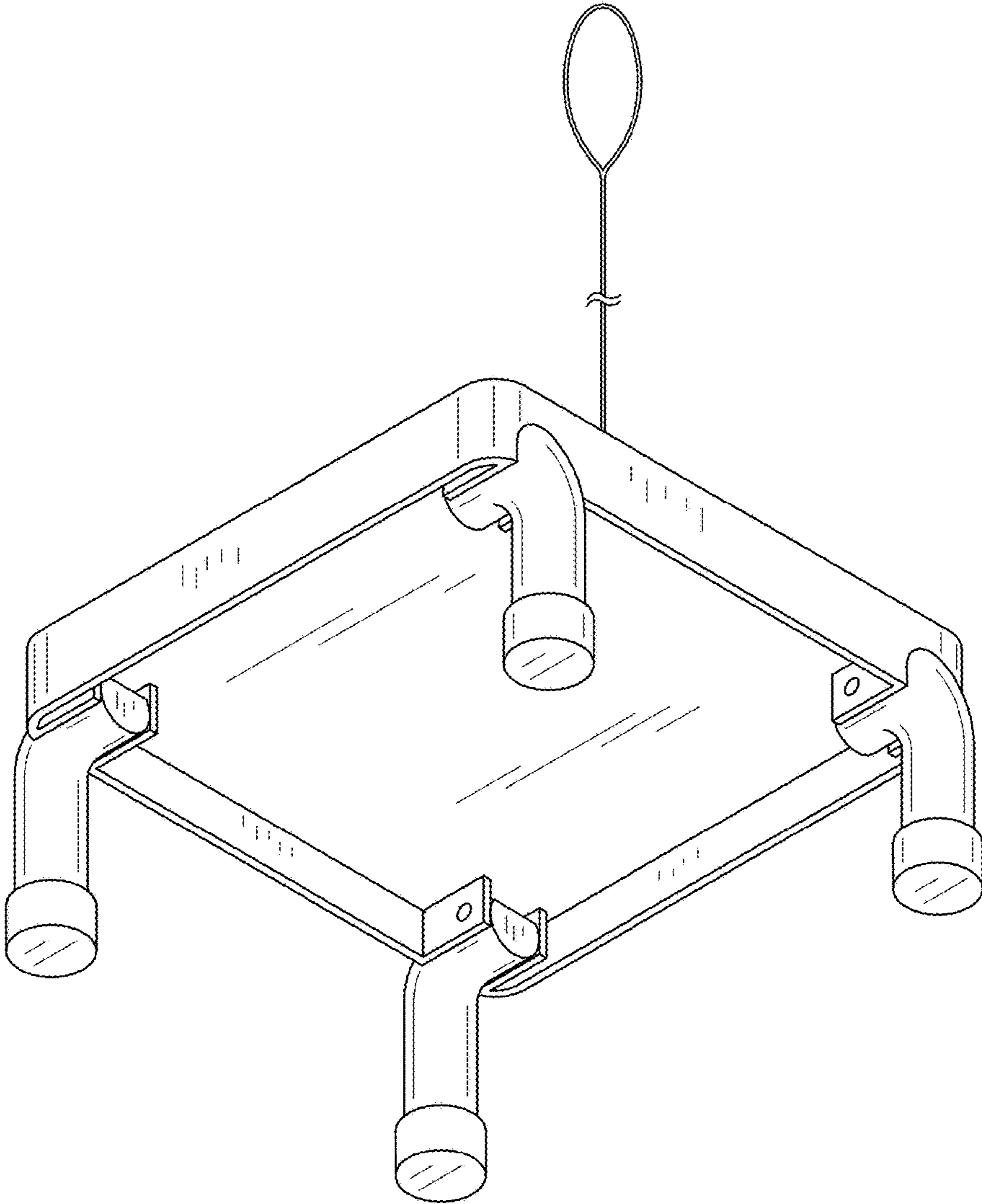


FIG. 6