



US00D845011S

(12) **United States Design Patent**
Wang et al.

(10) **Patent No.:** **US D845,011 S**
(45) **Date of Patent:** **** Apr. 9, 2019**

- (54) **COLLAPSIBLE PICNIC TABLE**
- (71) Applicant: **Zhuhai Shichang Metals Ltd.**, Zhuhai (CN)
- (72) Inventors: **Che-Jen Wang**, Zhuhai (CN);
Guangong Tan, Zhuhai (CN)
- (73) Assignee: **Zhuhai Shichang Metals Ltd.** (CN)
- (**) Term: **15 Years**
- (21) Appl. No.: **29/636,407**
- (22) Filed: **Feb. 8, 2018**
- (51) **LOC (11) Cl.** **06-01**
- (52) **U.S. Cl.**
USPC **D6/337**
- (58) **Field of Classification Search**
USPC D6/330, 334-339, 349, 355, 357-359,
D6/367, 368, 371, 372
CPC A47B 3/14
See application file for complete search history.

(56) **References Cited**

U.S. PATENT DOCUMENTS

D177,207 S *	3/1956	Seller	297/158.3
D183,545 S *	9/1958	Shore	D6/337
D184,151 S *	12/1958	Schneider	297/170
4,249,773 A *	2/1981	Giambalvo	A47B 3/14 108/173
D266,376 S *	10/1982	Musgrove	D6/337
D327,779 S *	7/1992	Jensen	D6/337
5,921,623 A *	7/1999	Nye	A47B 3/14 108/132
D423,238 S *	4/2000	O'Brien	D6/337
D431,918 S *	10/2000	Tseng	D6/337
D442,788 S *	5/2001	Nye	D6/337
6,347,831 B1 *	2/2002	Nye	A47B 3/14 297/118
D463,919 S *	10/2002	Lee	D6/337
D474,900 S *	5/2003	Underbrink	D6/310
D489,539 S *	5/2004	Thomas	D6/337
D490,992 S *	6/2004	Thomas	D6/337

(Continued)

Primary Examiner — Deanna L Pratt
(74) *Attorney, Agent, or Firm* — Luedeka Neely Group, PC

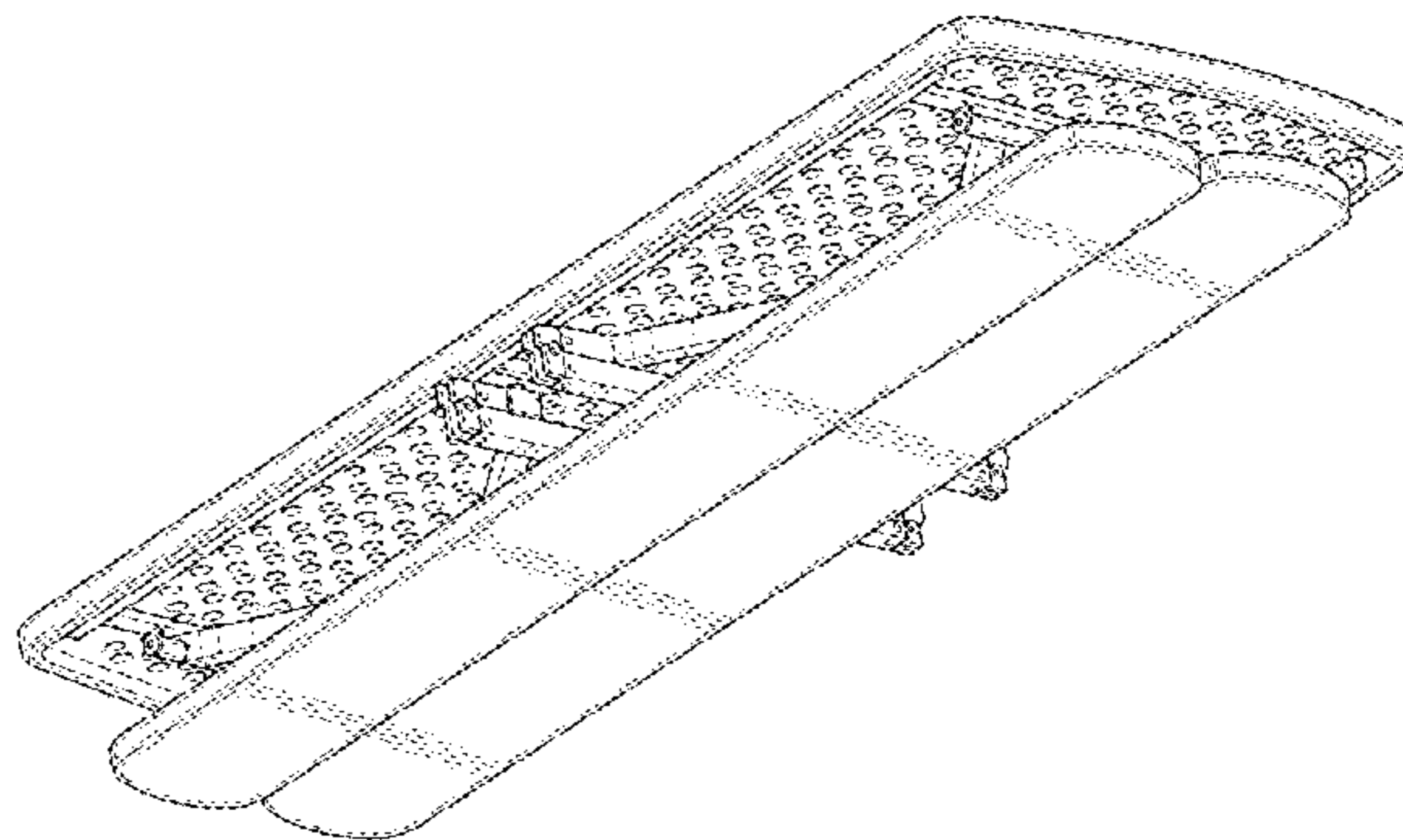
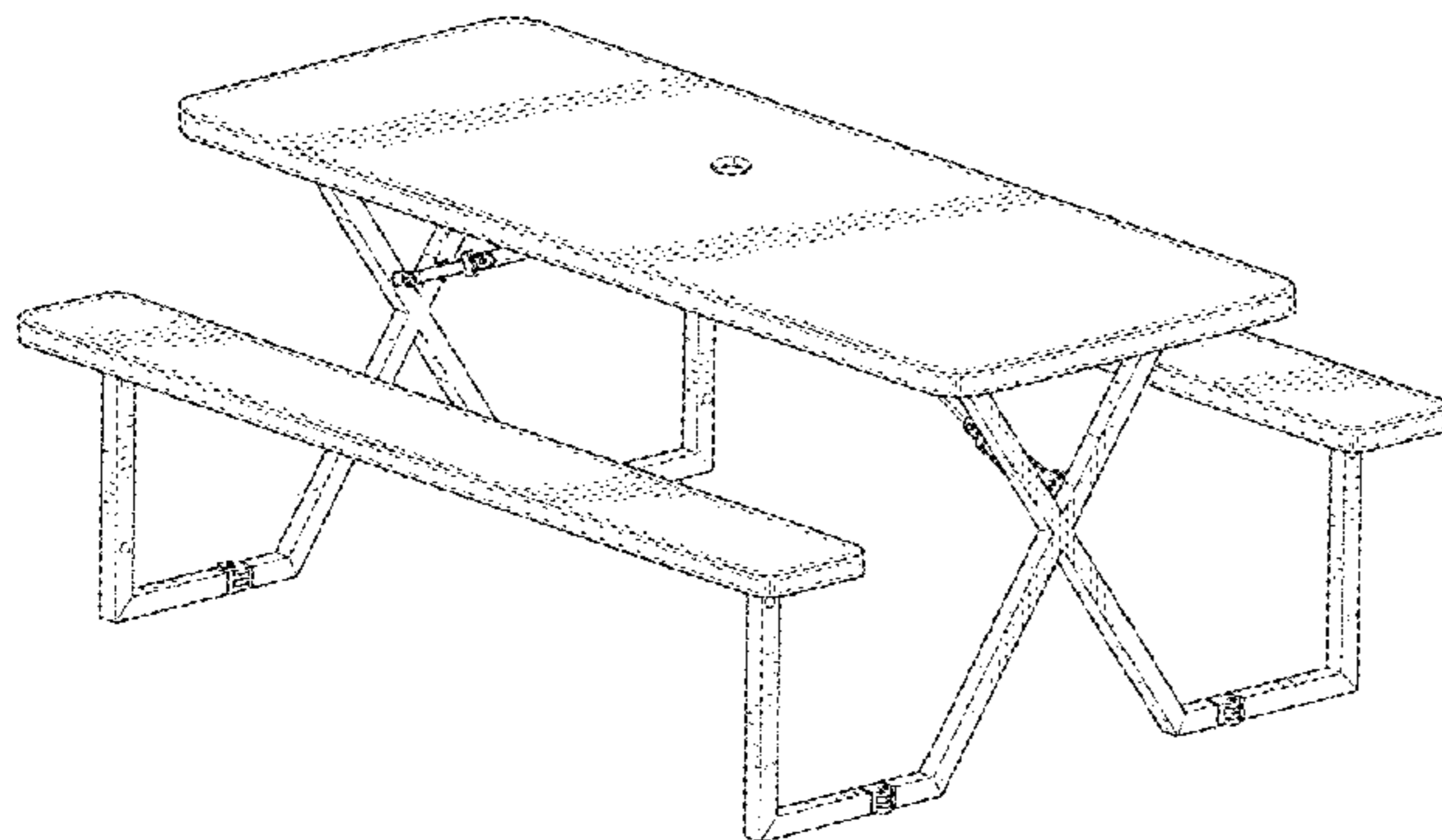
(57) **CLAIM**

The ornamental design for a collapsible picnic table, as shown and described.

DESCRIPTION

FIG. 1 is a top perspective view of the collapsible picnic table in a use position;
 FIG. 2 is a top plan view of the collapsible picnic table in the use position;
 FIG. 3 is a bottom plan view of the collapsible picnic table in the use position;
 FIG. 4 is a left side elevation view of the collapsible picnic table in the use position;
 FIG. 5 is a right side elevation view of the collapsible picnic table in the use position;
 FIG. 6 is a front end elevation view of the collapsible picnic table in the use position;
 FIG. 7 is a rear end elevation view of the collapsible picnic table in the use position;
 FIG. 8 is a bottom perspective view of the collapsible picnic table in a storage position;
 FIG. 9 is a top plan view of the collapsible picnic table in a storage position;
 FIG. 10 is a bottom plan view of the collapsible picnic table in a storage position;
 FIG. 11 is a left side elevation view of the collapsible picnic table in a storage position;
 FIG. 12 is a right side elevation view of the collapsible picnic table in a storage position;
 FIG. 13 is a front end elevation view of the collapsible picnic table in a storage position; and,
 FIG. 14 is a rear end elevation view of the collapsible picnic table in a storage position.

1 Claim, 10 Drawing Sheets



(56)

References Cited

U.S. PATENT DOCUMENTS

D493,291	S	*	7/2004	Thomas	D6/337
D496,799	S	*	10/2004	Thomas	D6/337
D497,262	S	*	10/2004	Thomas	D6/337
6,817,662	B2	*	11/2004	Winter	A47B 83/02 297/158.3
D553,869	S	*	10/2007	Nelson	D6/337
D718,541	S	*	12/2014	Pedersen	D6/337
D812,386	S	*	3/2018	Asner	D6/337
9,913,531	B1	*	3/2018	Wang	A47B 3/087
10,159,334	B1	*	12/2018	Wang	A47B 3/14
2004/0070235	A1	*	4/2004	Gregory	A47B 3/14 297/158.4

* cited by examiner

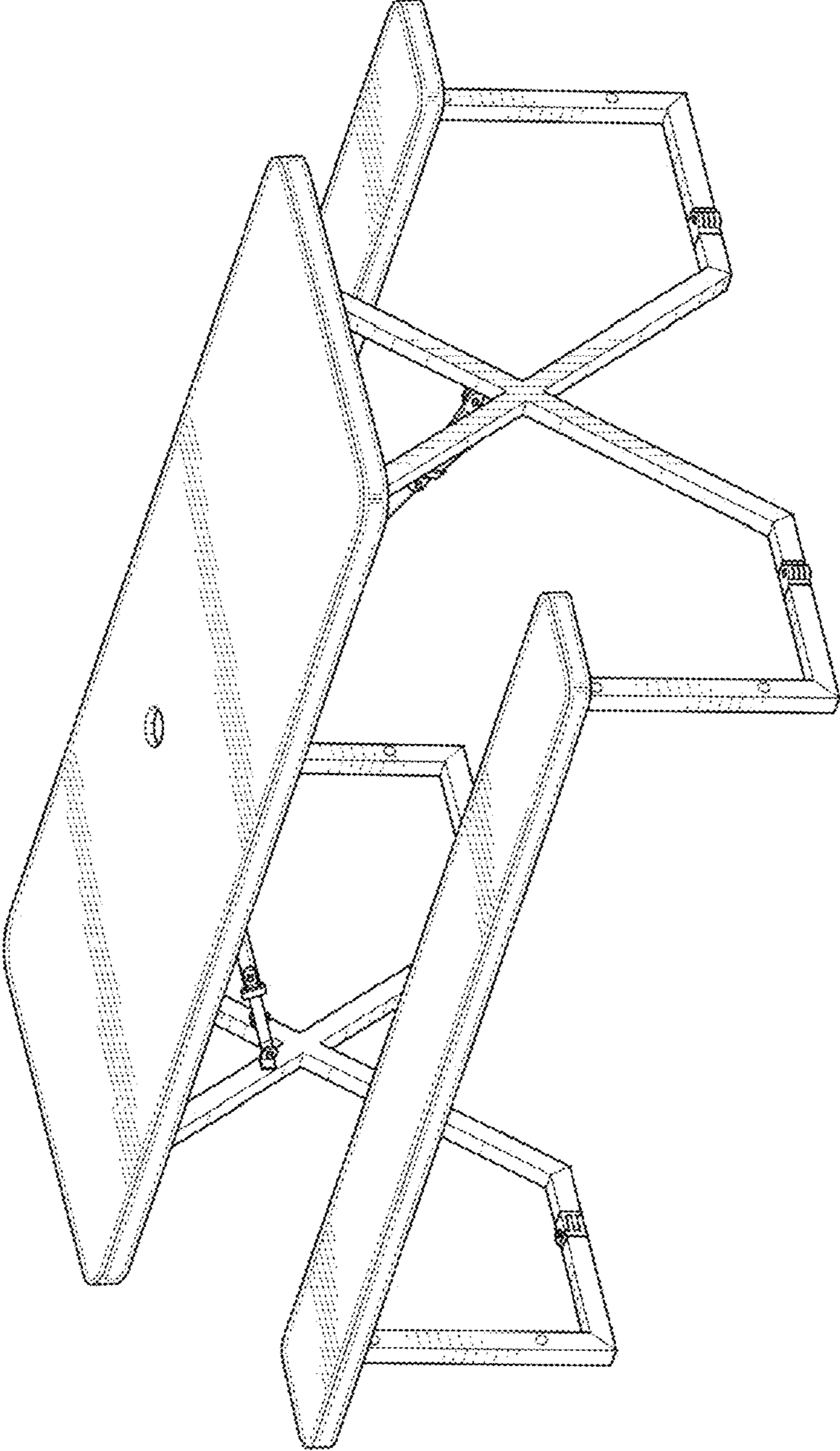


FIG. 1

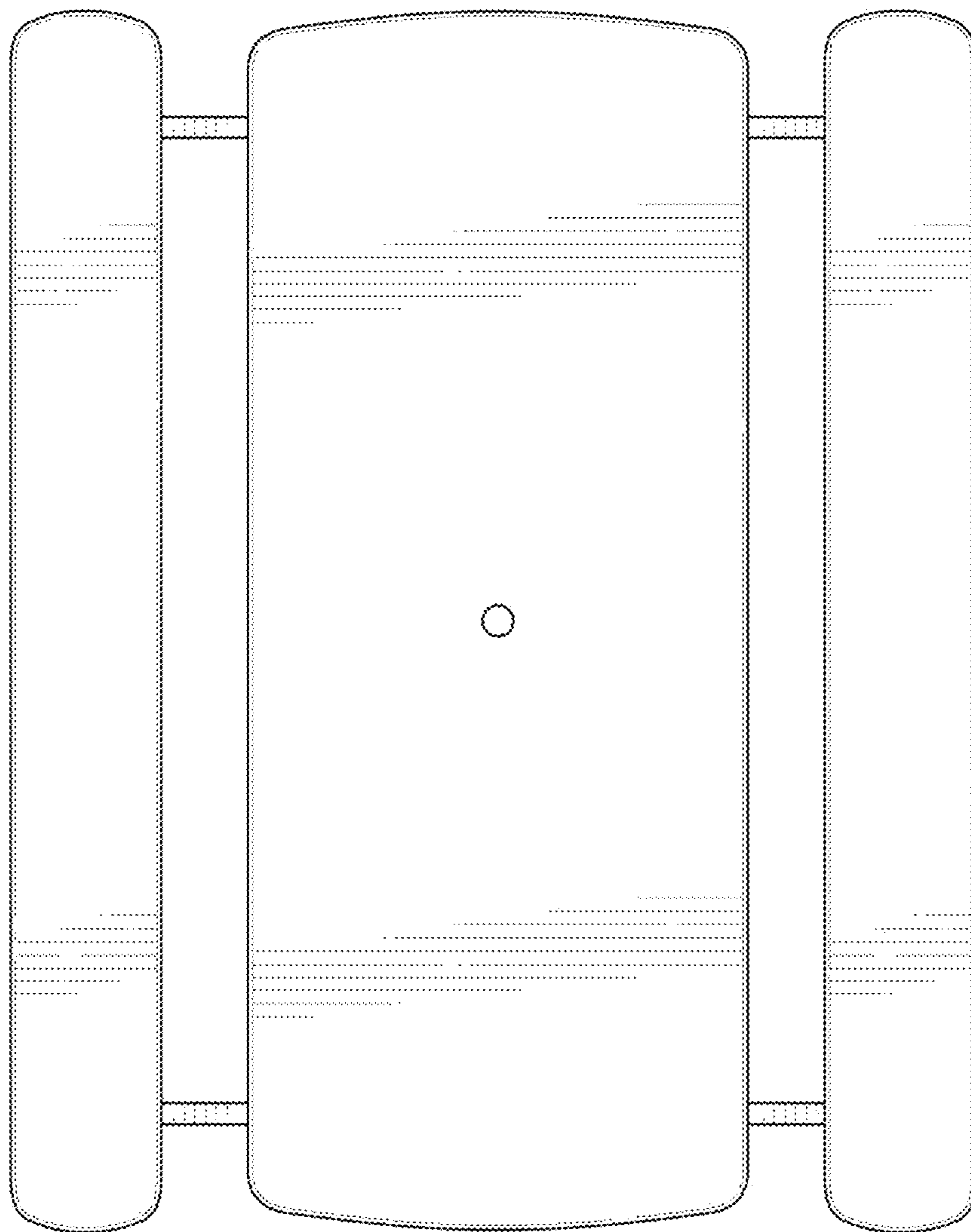


FIG. 2

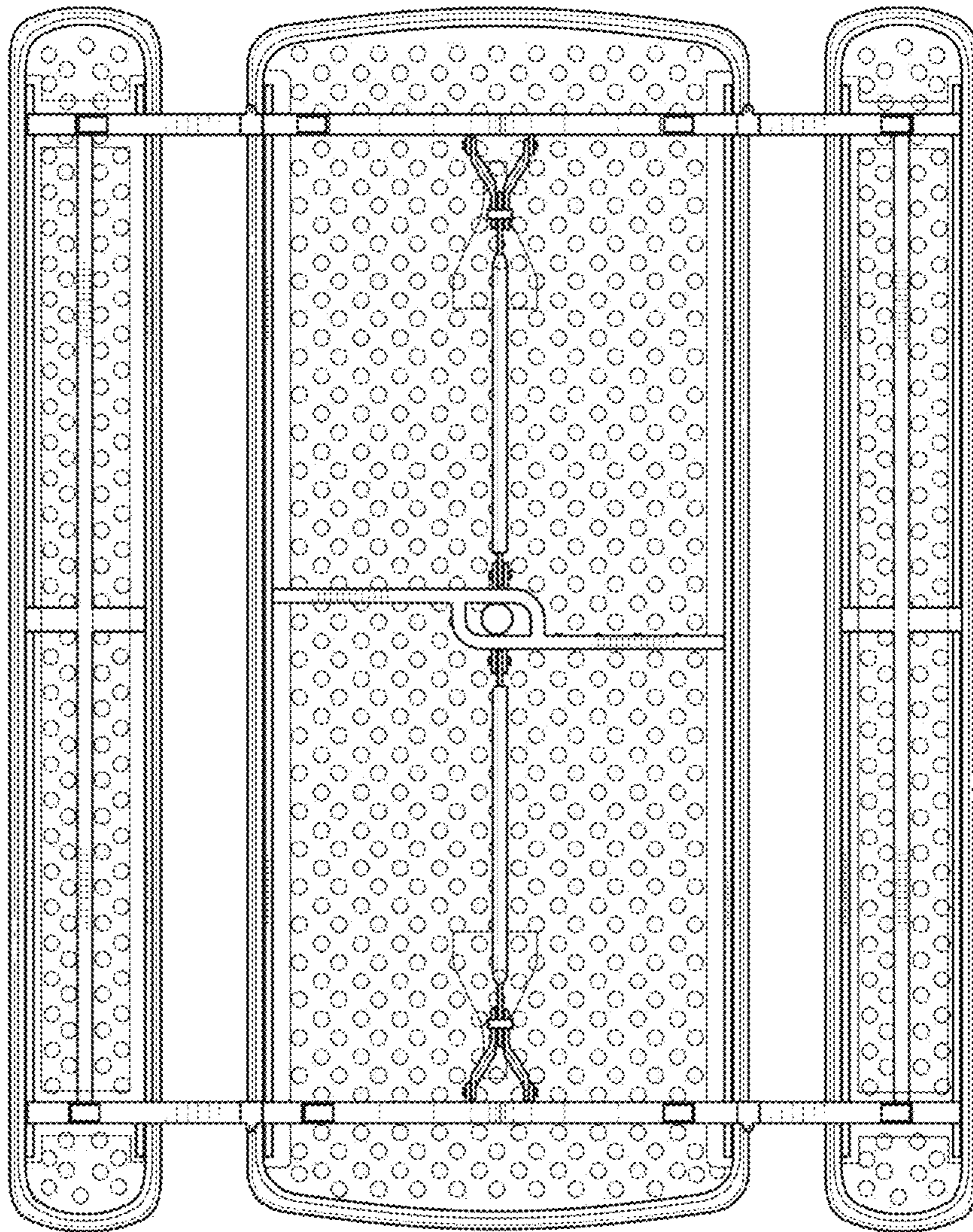


FIG. 3

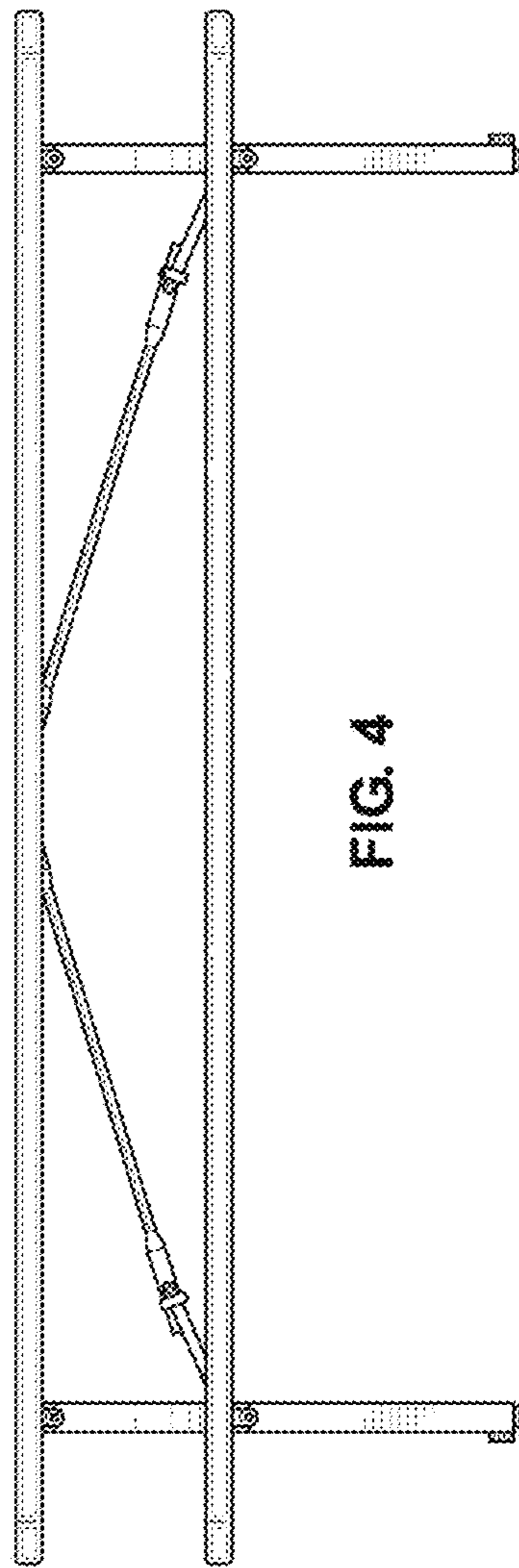


FIG. 4

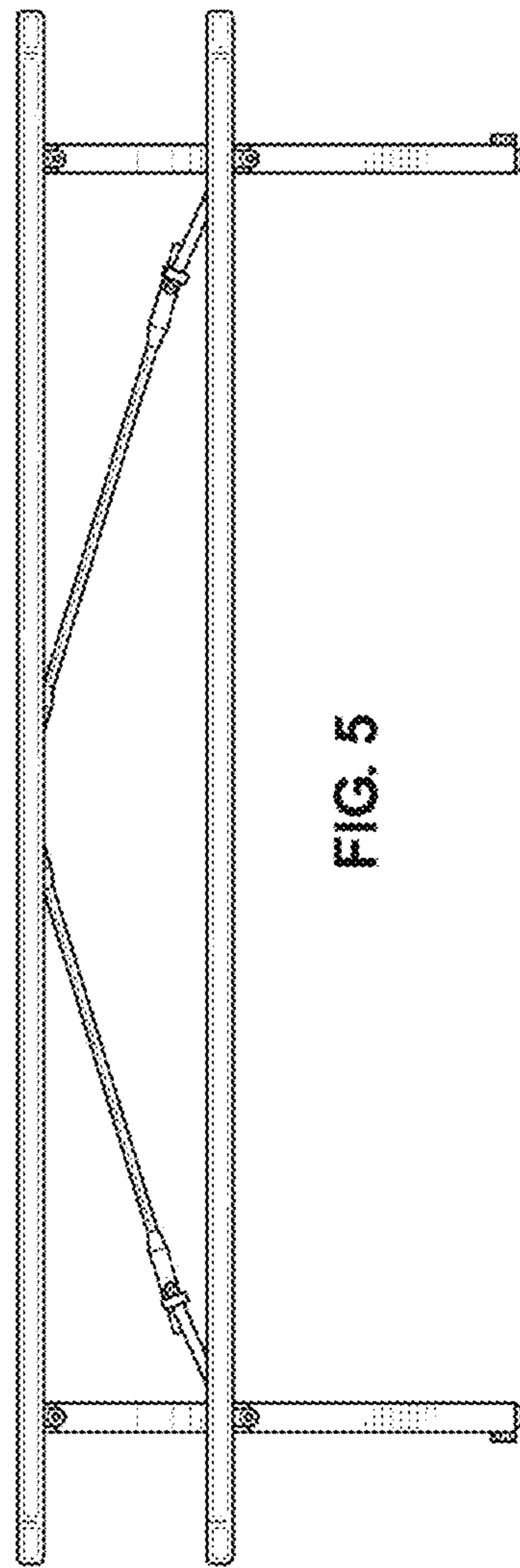


FIG. 5

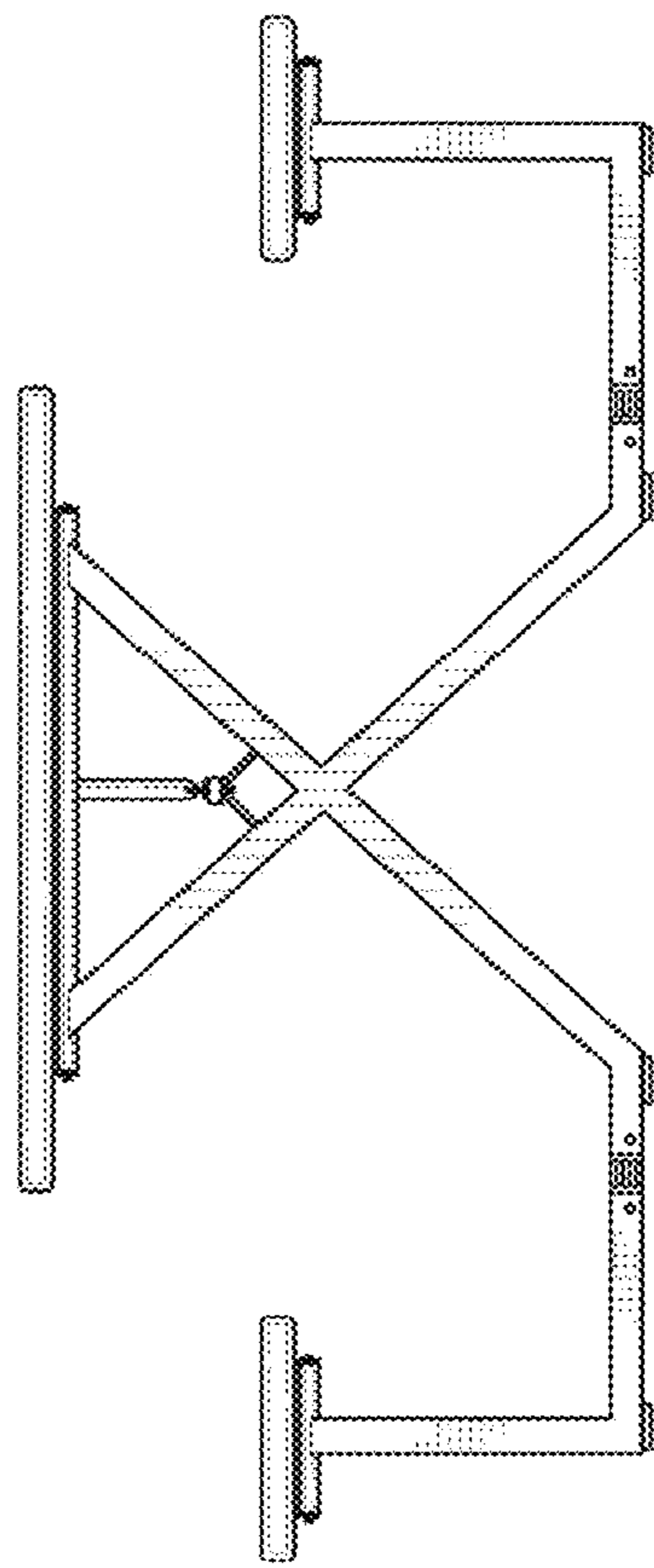


FIG. 6

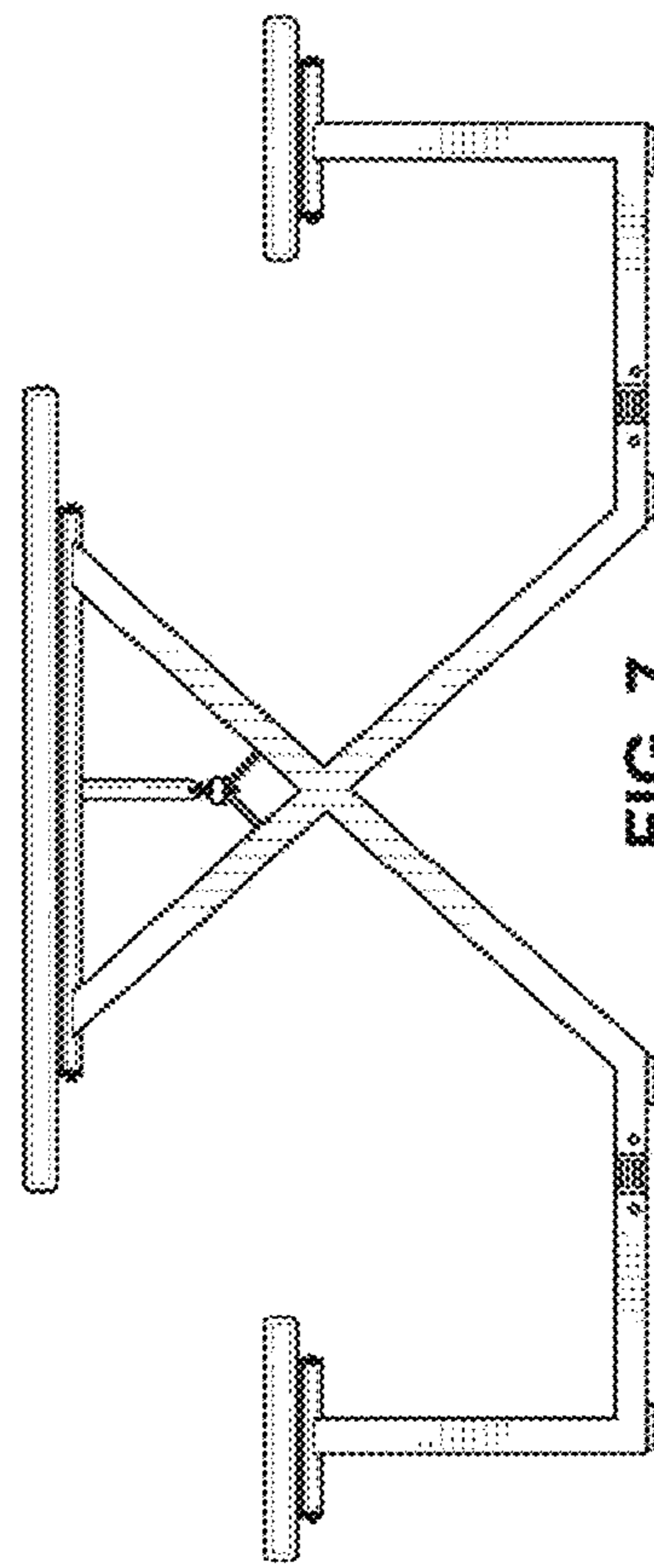


FIG. 7

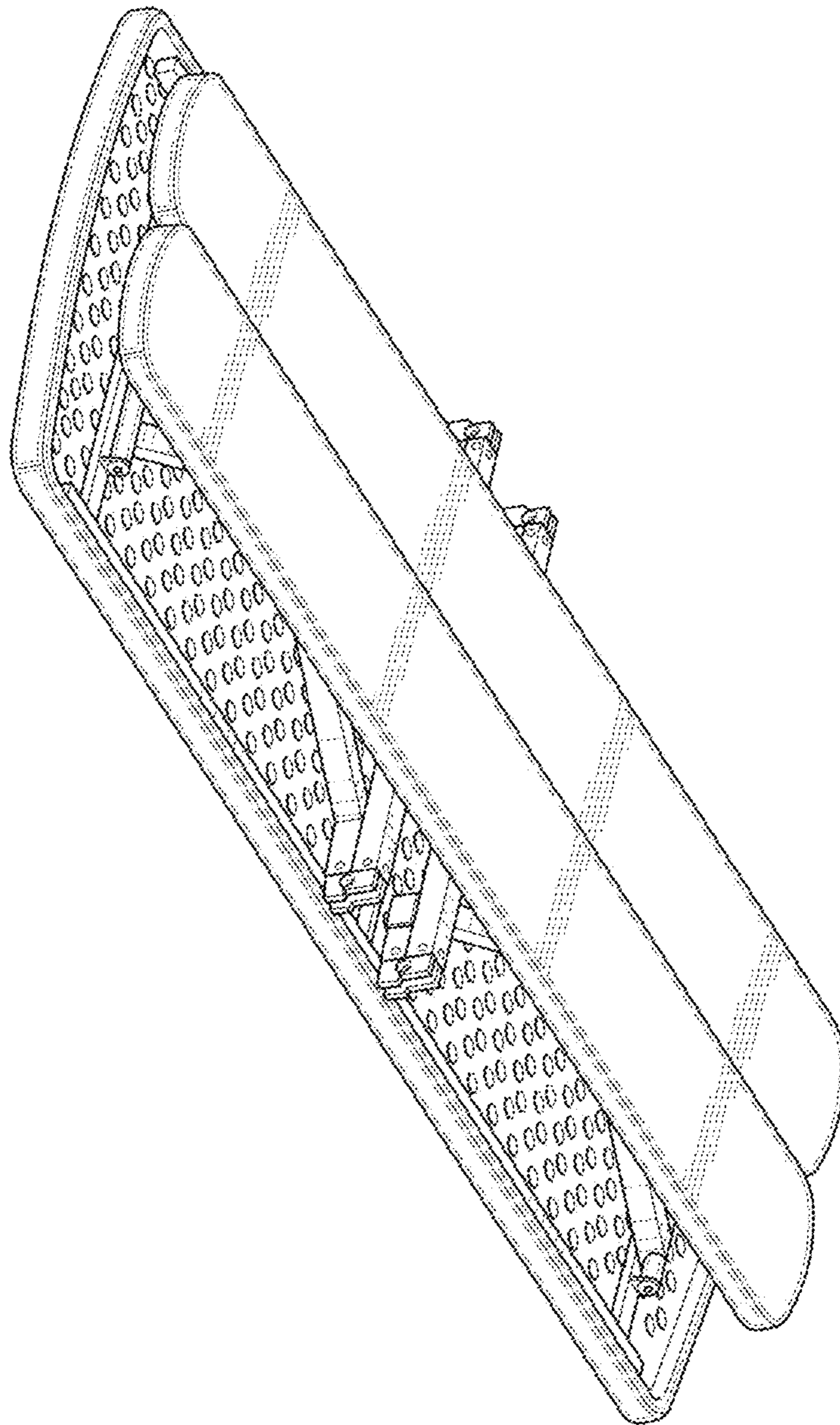


FIG. 8

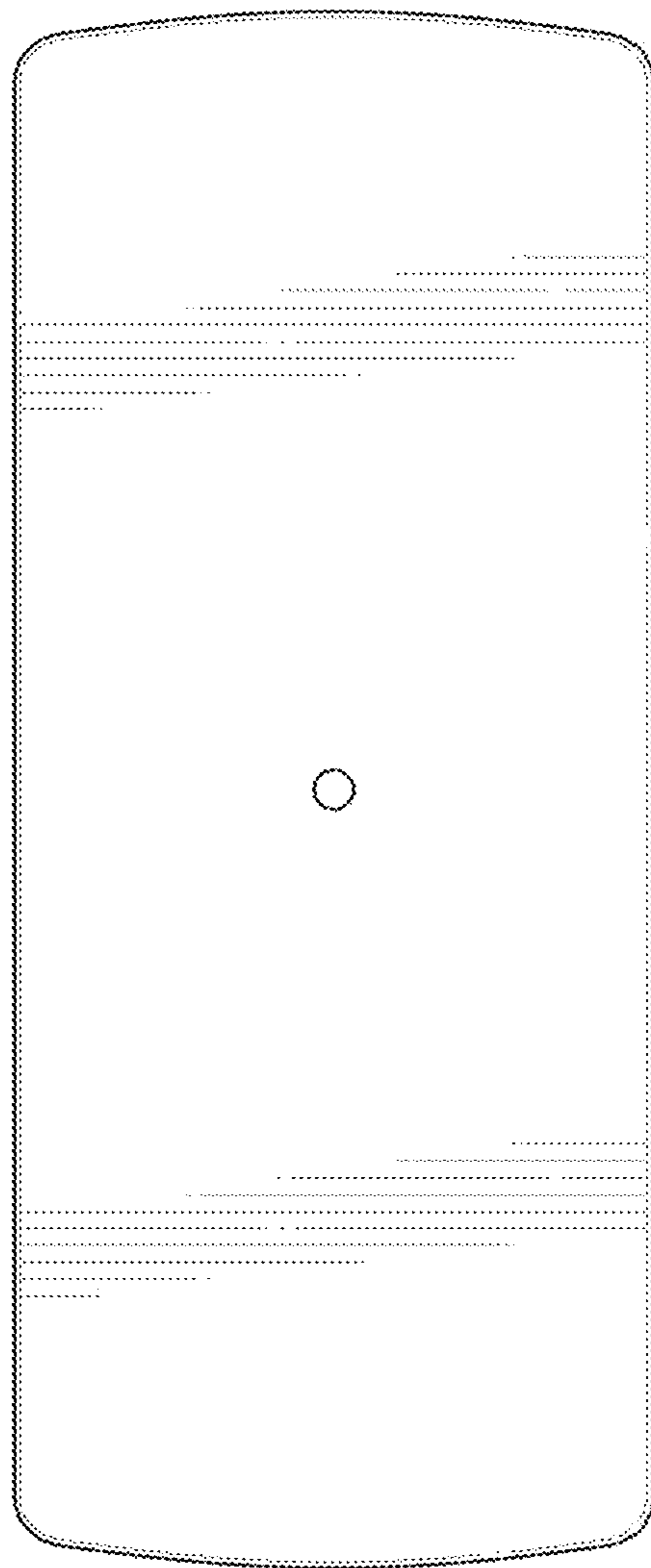


FIG. 9

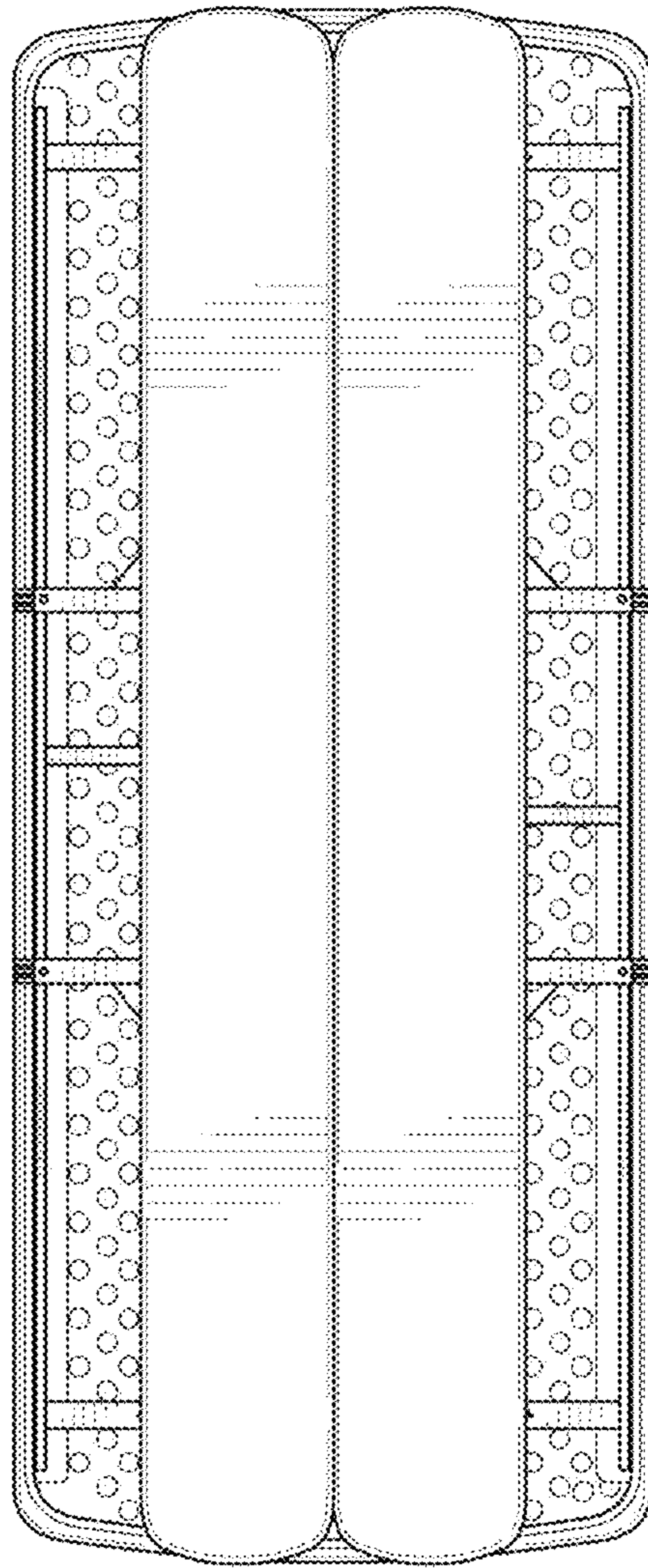


FIG. 10

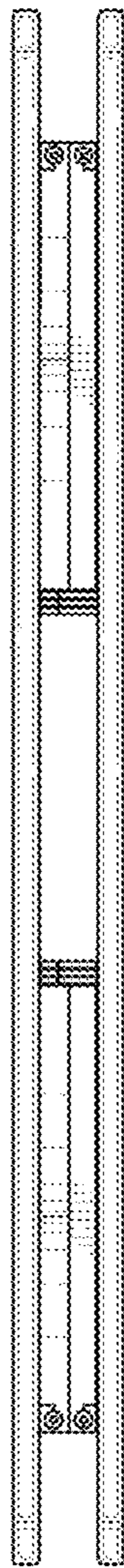


FIG. 11

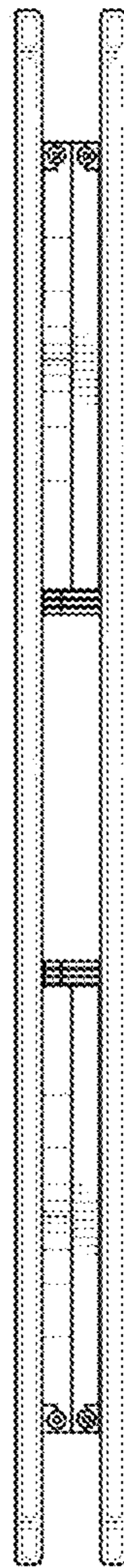


FIG. 12

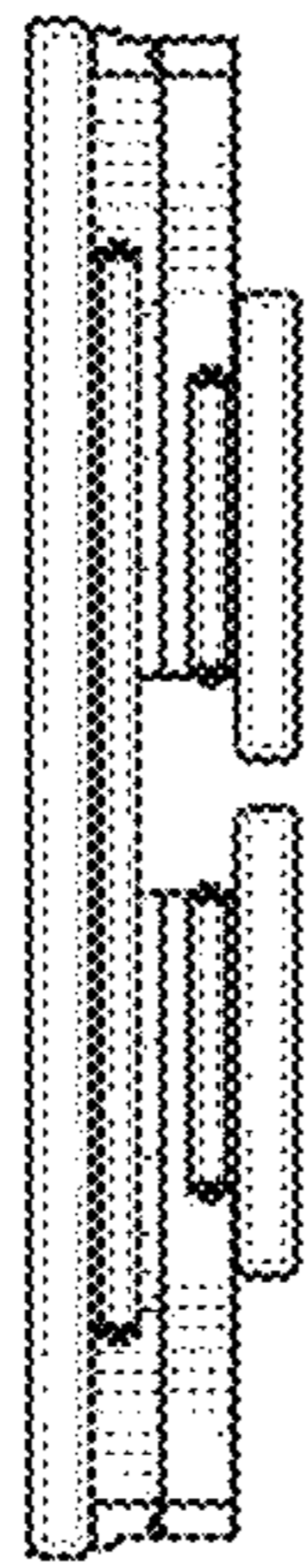


FIG. 13



FIG. 14