



US00D845010S

(12) **United States Design Patent**  
**Jingbo**

(10) **Patent No.:** **US D845,010 S**

(45) **Date of Patent:** **\*\* Apr. 9, 2019**

(54) **CIRCULAR PICNIC TABLE WITH BENCHES**

(71) Applicant: **Zhuhai Shichang Metals Ltd., Zhuhai (CN)**

(72) Inventor: **Liu Jingbo, Zhuhai (CN)**

(73) Assignee: **Zhuhai Shichang Metals Ltd. (CN)**

(\*\*) Term: **15 Years**

(21) Appl. No.: **29/634,818**

(22) Filed: **Jan. 25, 2018**

(51) **LOC (11) Cl.** ..... **06-01**

(52) **U.S. Cl.**  
USPC ..... **D6/337**

(58) **Field of Classification Search**  
USPC ..... D6/330, 334-339, 349, 355, 357-359,  
D6/367, 368, 371, 372

CPC ..... A47B 3/14  
See application file for complete search history.

(56) **References Cited**

**U.S. PATENT DOCUMENTS**

|               |         |                 |                         |
|---------------|---------|-----------------|-------------------------|
| D165,710 S *  | 1/1952  | Currie et al.   | 297/158.3               |
| D180,331 S *  | 5/1957  | Holmdahl        | D6/337                  |
| D242,306 S *  | 11/1976 | Campbell et al. | D6/337                  |
| 4,216,993 A * | 8/1980  | Shumaker        | A47B 83/02<br>108/161   |
| D256,633 S *  | 9/1980  | Shumaker        | D6/337                  |
| D396,356 S *  | 7/1998  | Petersen        | D6/337                  |
| D417,965 S *  | 12/1999 | Strong          | D6/337                  |
| 6,010,185 A * | 1/2000  | Petersen        | A47B 83/02<br>297/157.1 |
| D426,963 S *  | 6/2000  | Addleman        | D6/337                  |
| D432,797 S *  | 10/2000 | Schilling       | D6/337                  |

|                |         |             |                      |
|----------------|---------|-------------|----------------------|
| D448,938 S *   | 10/2001 | Ng          | D6/337               |
| D473,387 S *   | 4/2003  | Noll        | D6/337               |
| D497,263 S *   | 10/2004 | Darling     | D6/337               |
| D553,868 S *   | 10/2007 | Knapper     | D6/337               |
| D572,918 S *   | 7/2008  | Viets       | D6/337               |
| D621,172 S *   | 8/2010  | Rivera, Jr. | D6/338               |
| 7,971,930 B2 * | 7/2011  | Larsen      | A47B 3/06<br>297/142 |
| D661,501 S *   | 6/2012  | Pineau      | D6/338               |
| D687,232 S *   | 8/2013  | Skalka      | D6/337               |
| D802,945 S *   | 11/2017 | Rivera, Jr. | D6/337               |
| 9,913,531 B1 * | 3/2018  | Wang        | A47B 3/087           |

\* cited by examiner

*Primary Examiner* — Deanna L Pratt

(74) *Attorney, Agent, or Firm* — Luedeka Neely Group, PC

(57) **CLAIM**

The ornamental design for a circular picnic table with benches, as shown and described.

**DESCRIPTION**

FIG. 1 is a top perspective view of the circular picnic table with benches;

FIG. 2 is a bottom perspective view of the circular picnic table with benches;

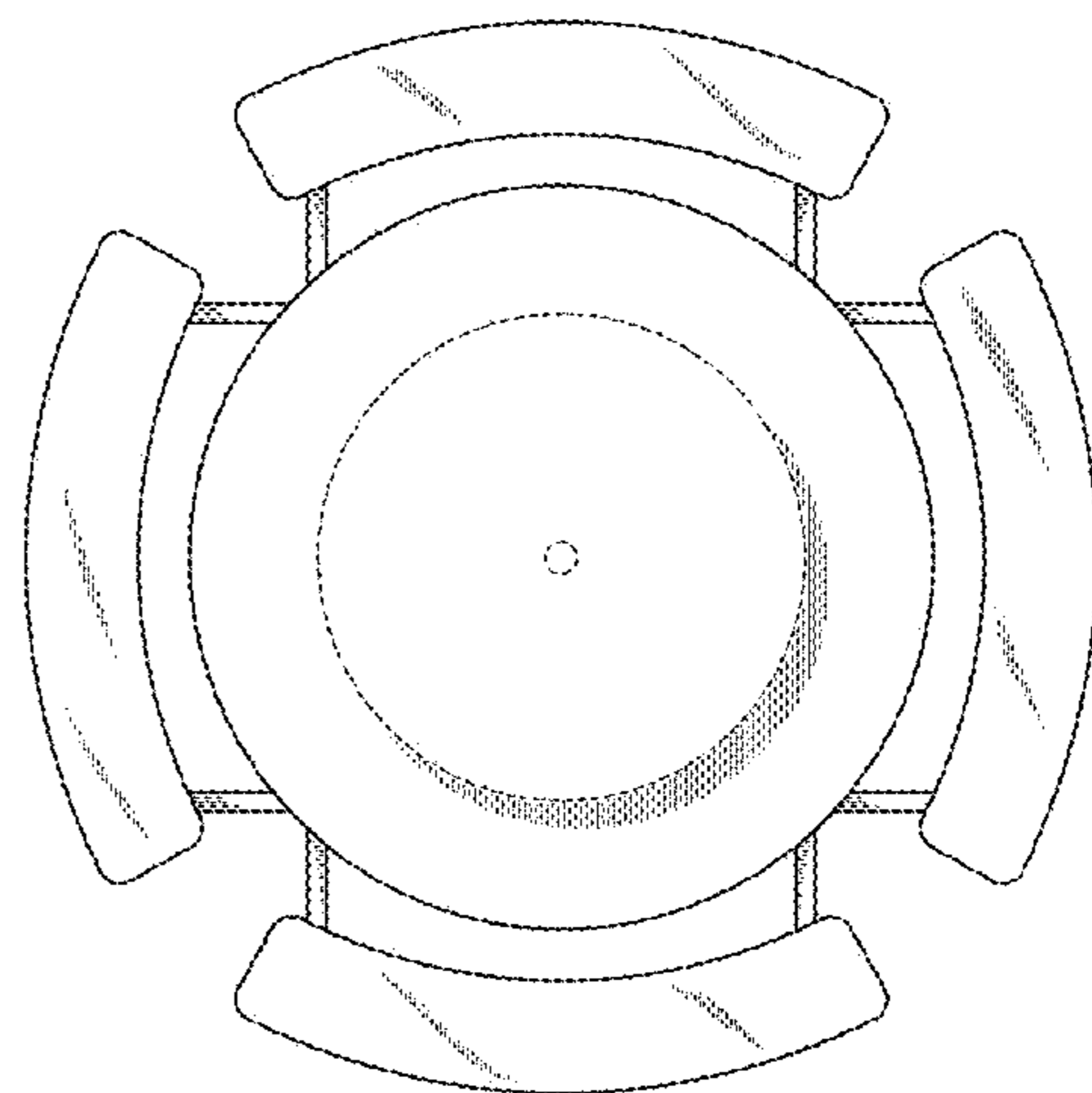
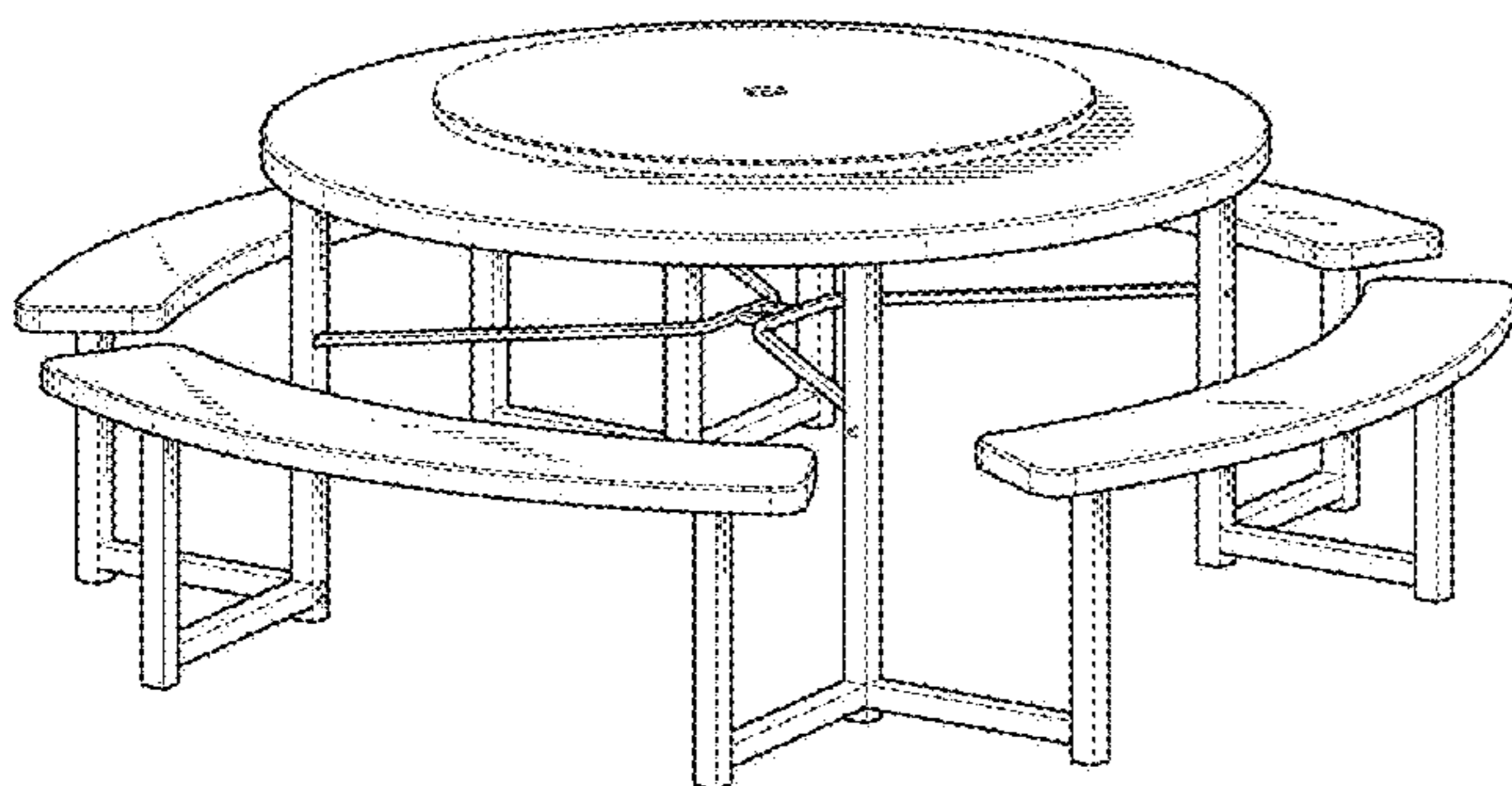
FIG. 3 is a side elevation view of the circular picnic table with benches;

FIG. 4 is a top plan view of the circular picnic table with benches; and,

FIG. 5 is a bottom plan view of the circular picnic table with benches.

The broken lines illustrate portions of the circular picnic table with benches that form no part of the claimed design.

**1 Claim, 5 Drawing Sheets**



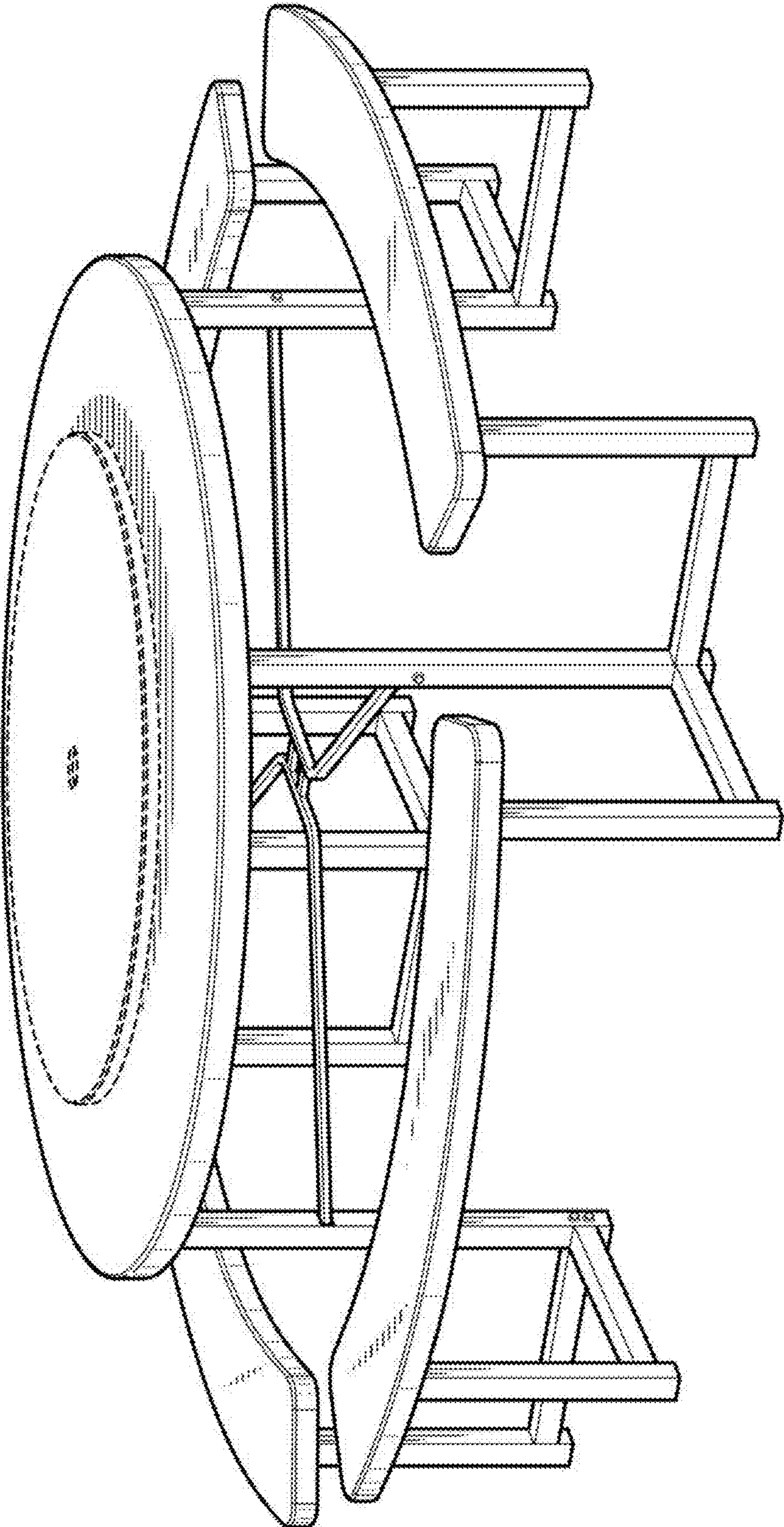


FIG. 1

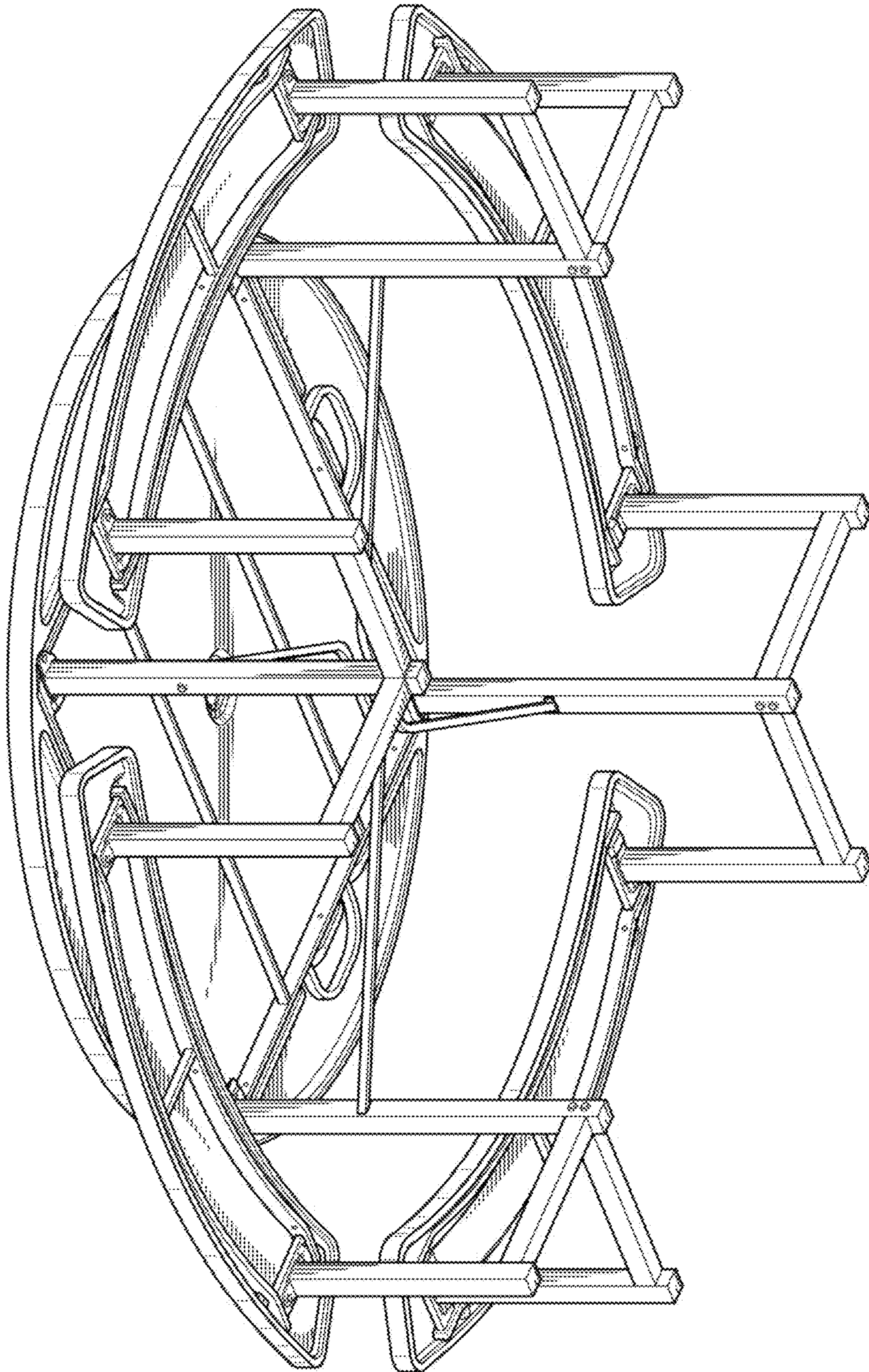


FIG. 2

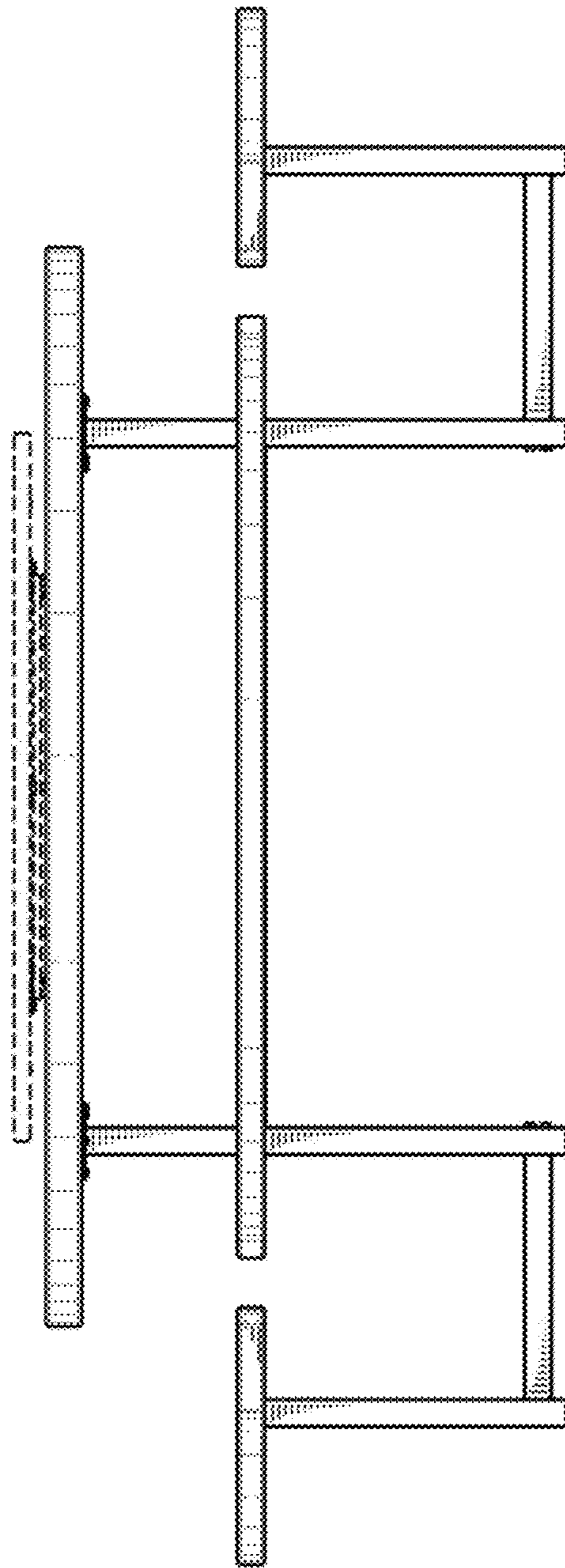


FIG. 3

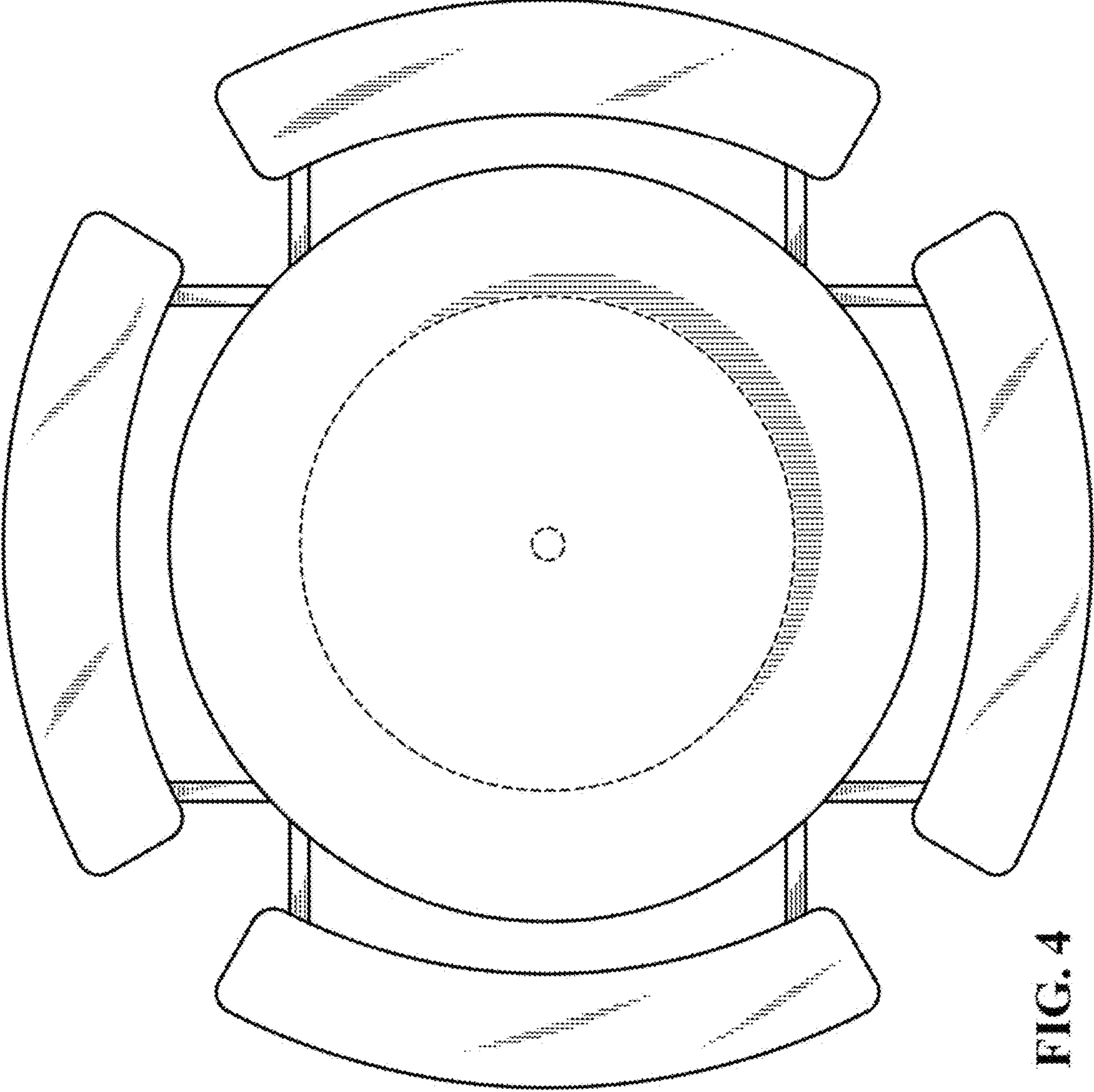


FIG. 4

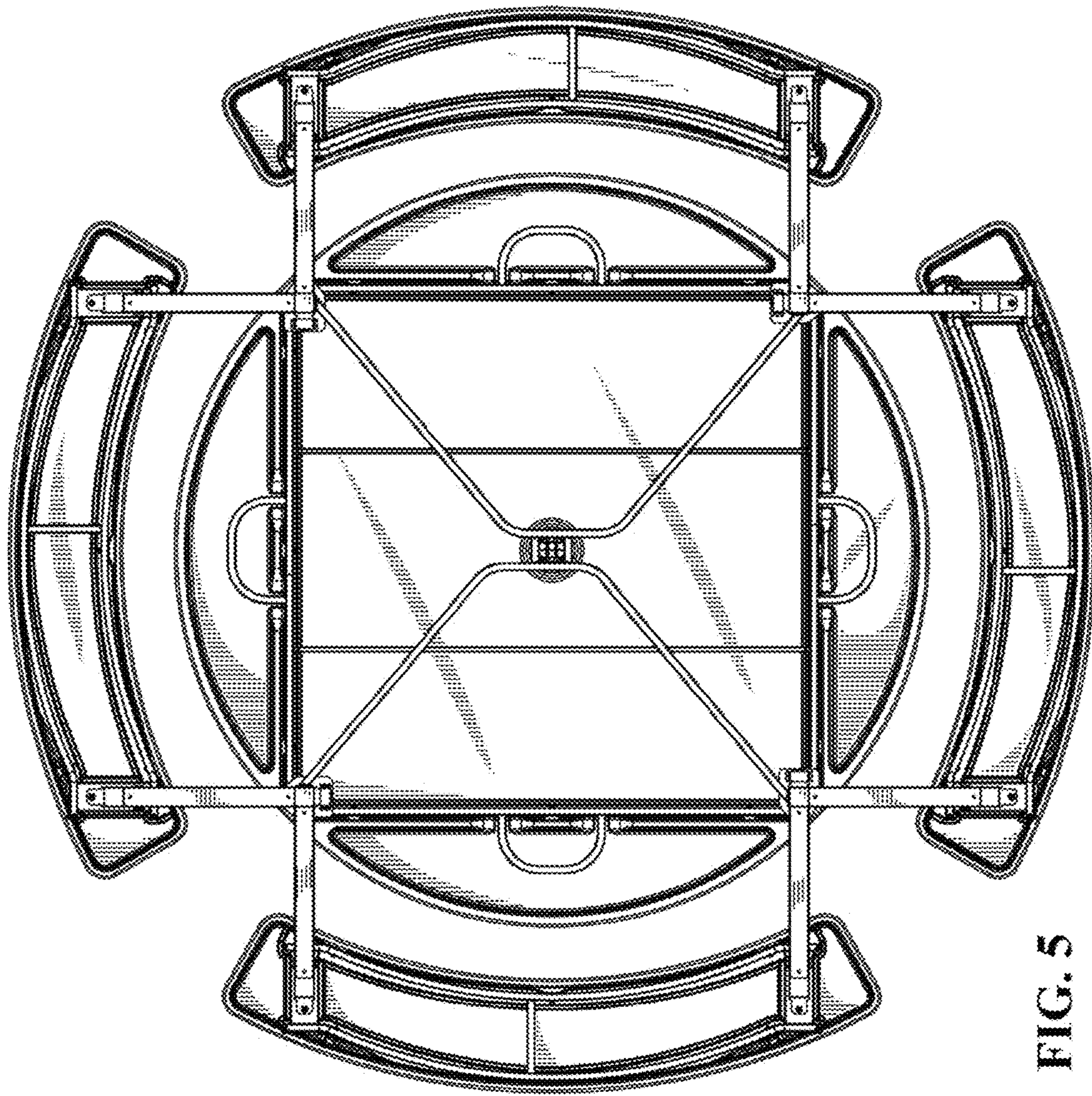


FIG. 5