



US00D845009S

(12) **United States Design Patent**  
**Barker et al.**

(10) **Patent No.:** **US D845,009 S**

(45) **Date of Patent:** **\*\* Apr. 9, 2019**

(54) **COLLAPSIBLE HIGH BACK CAR BOOSTER SEAT**

(71) Applicant: **Carfoldio LTD.**, Raanana (IL)

(72) Inventors: **Derrick Barker**, Bishampton (GB);  
**Christopher Lester**, Worcester (GB);  
**Jon Sumroy**, Raanana (IL)

(73) Assignee: **Carfoldio LTD.**, Raanana (IL)

(\*\*) Term: **15 Years**

(21) Appl. No.: **29/636,081**

(22) Filed: **Feb. 6, 2018**

(51) **LOC (11) Cl.** ..... **06-01**

(52) **U.S. Cl.**  
USPC ..... **D6/333**

(58) **Field of Classification Search**  
USPC ..... D6/334-336, 338-339, 491, 333, 716,  
D6/716.1-716.7; D12/129; D21/412,  
(Continued)

(56) **References Cited**

U.S. PATENT DOCUMENTS

D456,151 S \* 4/2002 Kassai ..... D6/333  
D746,071 S \* 12/2015 Haley ..... D6/333  
(Continued)

*Primary Examiner* — Abraham Bahta

(74) *Attorney, Agent, or Firm* — Robert G. Lev

(57) **CLAIM**

We claim the ornamental design for a collapsible high back car booster seat, as shown and described.

**DESCRIPTION**

FIG. 1 is a front perspective view of the inventive collapsible high back car booster seat in the open position.

FIG. 2 is a front view of the collapsible high back car booster seat in the open position.

FIG. 3 is a rear view of the collapsible high back car booster seat in the open position.

FIG. 4 is a right side view of the collapsible high back car booster seat in the open position.

FIG. 5 is a left side view of the collapsible high back car booster seat in the open position.

FIG. 6 is a top view of the collapsible high back car booster seat in the open position.

FIG. 7 is a bottom view of the collapsible ball high back car booster seat in the open position.

FIG. 8 is a front perspective view of the collapsible high back car booster seat in the fully extended position.

FIG. 9 is a front view of the collapsible high back car booster seat in the fully extended position.

FIG. 10 is a rear view of the collapsible high back car booster seat in the fully extended position.

FIG. 11 is a right side view of the collapsible high back car booster seat in the fully extended position.

FIG. 12 is a left-sided view of the collapsible high back car booster seat in the fully extended position.

FIG. 13 is a top view of the collapsible high back car booster seat in the fully extended position.

FIG. 14 is a bottom view of the collapsible high back car booster seat in the fully extended position.

FIG. 15 is a front perspective view of the collapsible high back car booster seat in the fully folded position.

FIG. 16 is a front view of the collapsible high back car booster seat in the fully folded position.

FIG. 17 is a rear view of the collapsible high back car booster seat in the fully folded position.

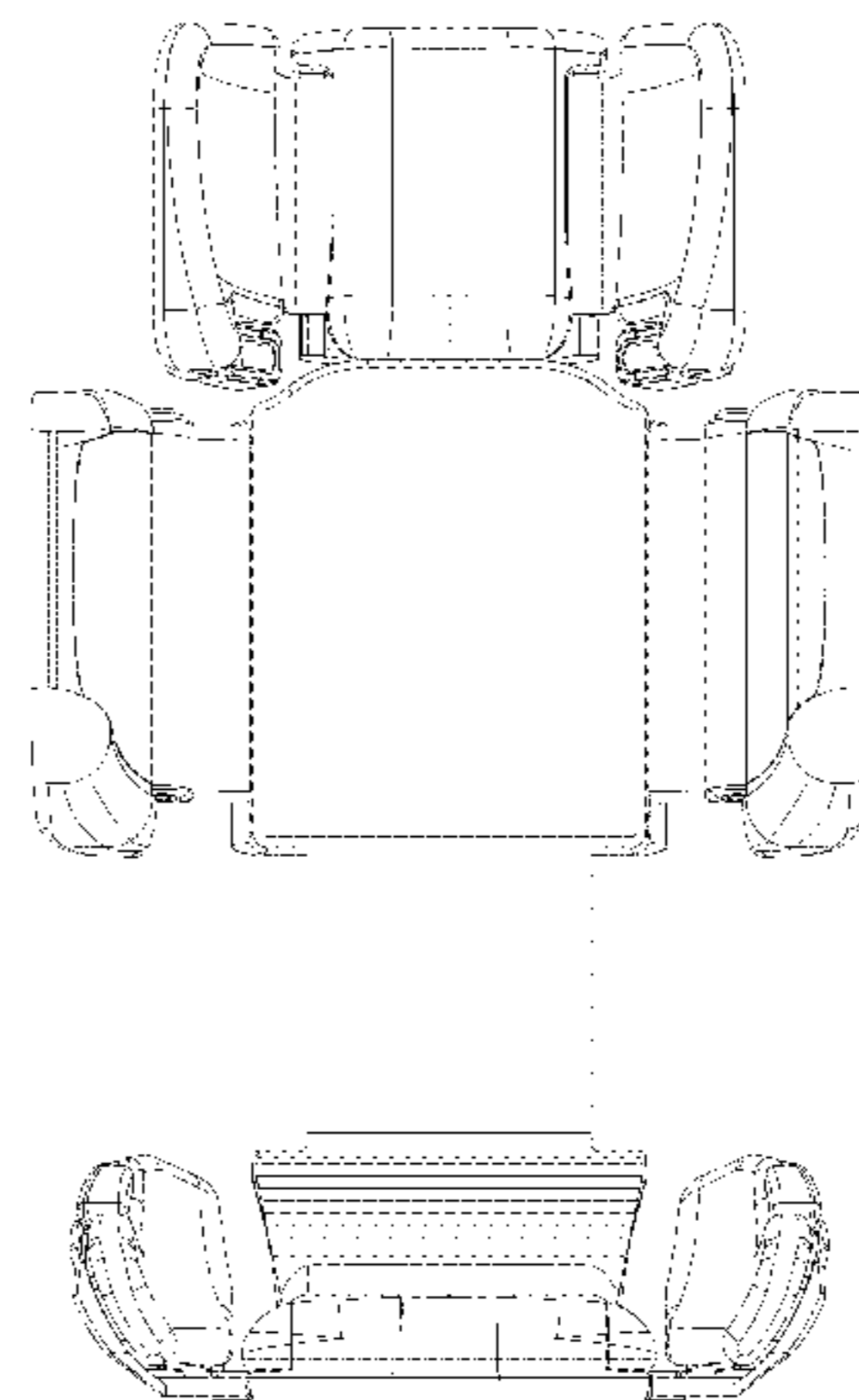
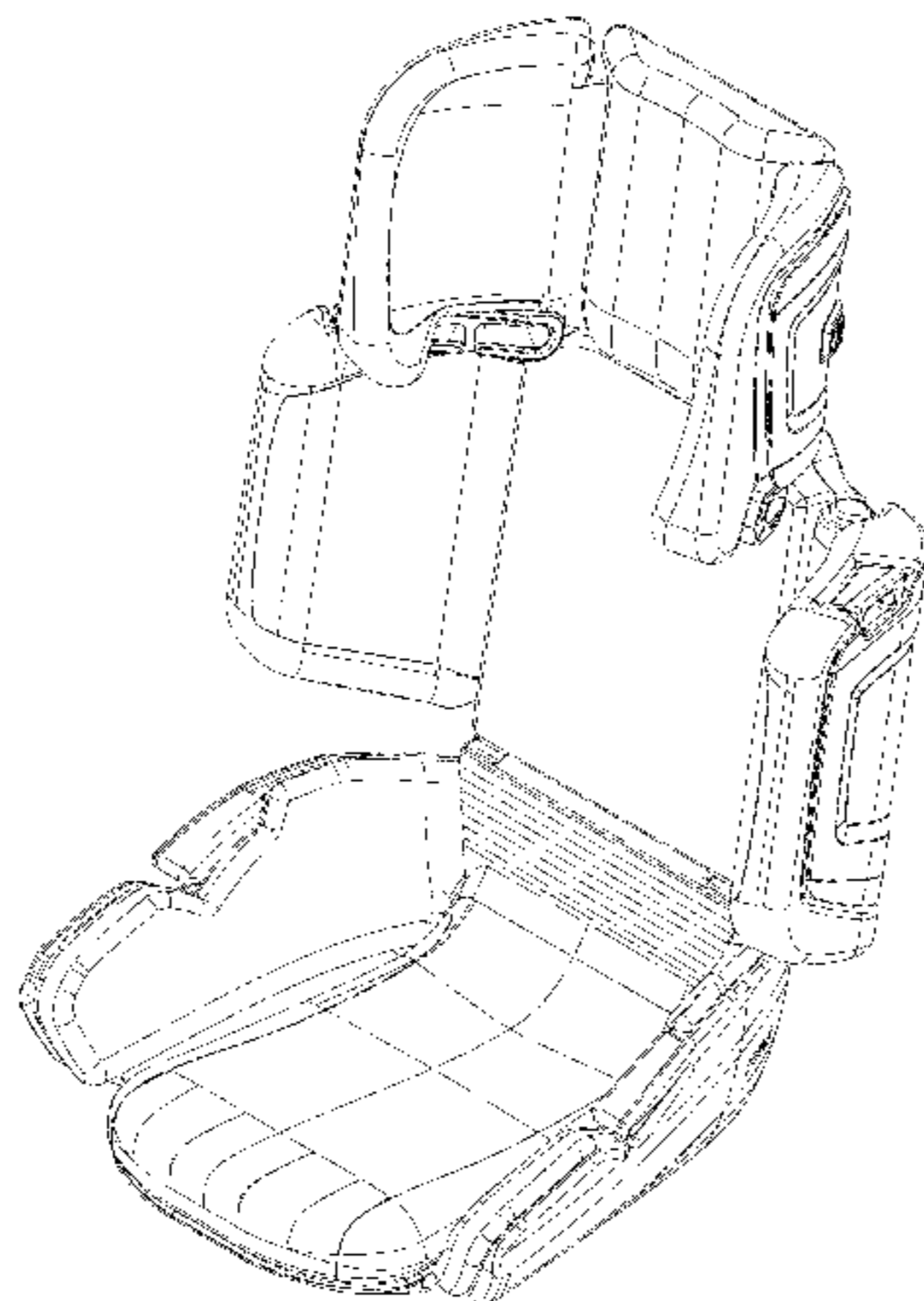
FIG. 18 is a left side view of the collapsible high back car booster seat in the fully folded position.

FIG. 19 is a right side view of the collapsible high back car booster seat in the fully folded position.

FIG. 20 is a top view of the collapsible high back car booster seat in the fully folded position; and,

FIG. 21 is a bottom view of the collapsible high back car booster seat in the fully folded position.

**1 Claim, 21 Drawing Sheets**



(58) **Field of Classification Search**

USPC ..... D21/419; 280/30–31; 5/94, 98.1, 99.1,  
5/101, 105, 655; 297/183.1–183.4,  
297/184.13, 184.15, 184.17, 250.1, 256.1,  
297/255, 256.15, 256.16, 174 R, 174 CS,  
297/170–173, 136, 148, 27, 61, 68;  
4/572.1  
CPC ..... A47D 13/02; A47D 13/10; A47D 1/00;  
A47D 1/002; A47D 1/004; B60N 2/22;  
B60N 2/24; A47C 7/021; A47C 7/022;  
A47C 7/002; A47C 7/18; A47C 7/24;  
A47C 3/00; A47C 3/02; A47C 3/025;  
A47C 3/20; A47C 1/00; A47C 1/02;  
A47C 1/04; A47C 1/06

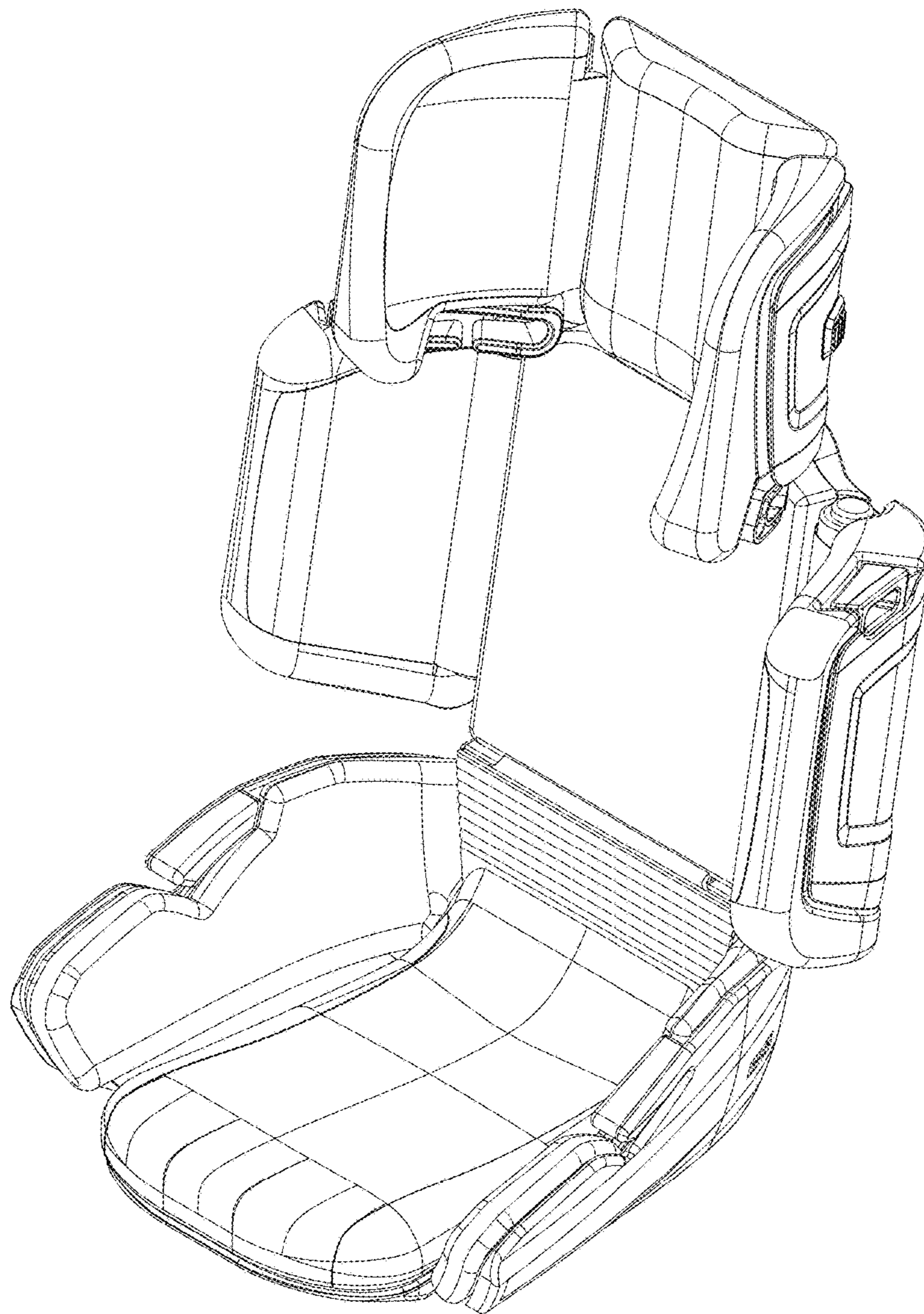
See application file for complete search history.

(56) **References Cited**

U.S. PATENT DOCUMENTS

D746,072	S	*	12/2015	Haley	.....	D6/333
D788,478	S	*	6/2017	Sumroy	.....	D6/333
D812,916	S	*	3/2018	Cera	.....	D6/333
D816,356	S	*	5/2018	Lin	.....	D6/333

\* cited by examiner



*FIG. 1*



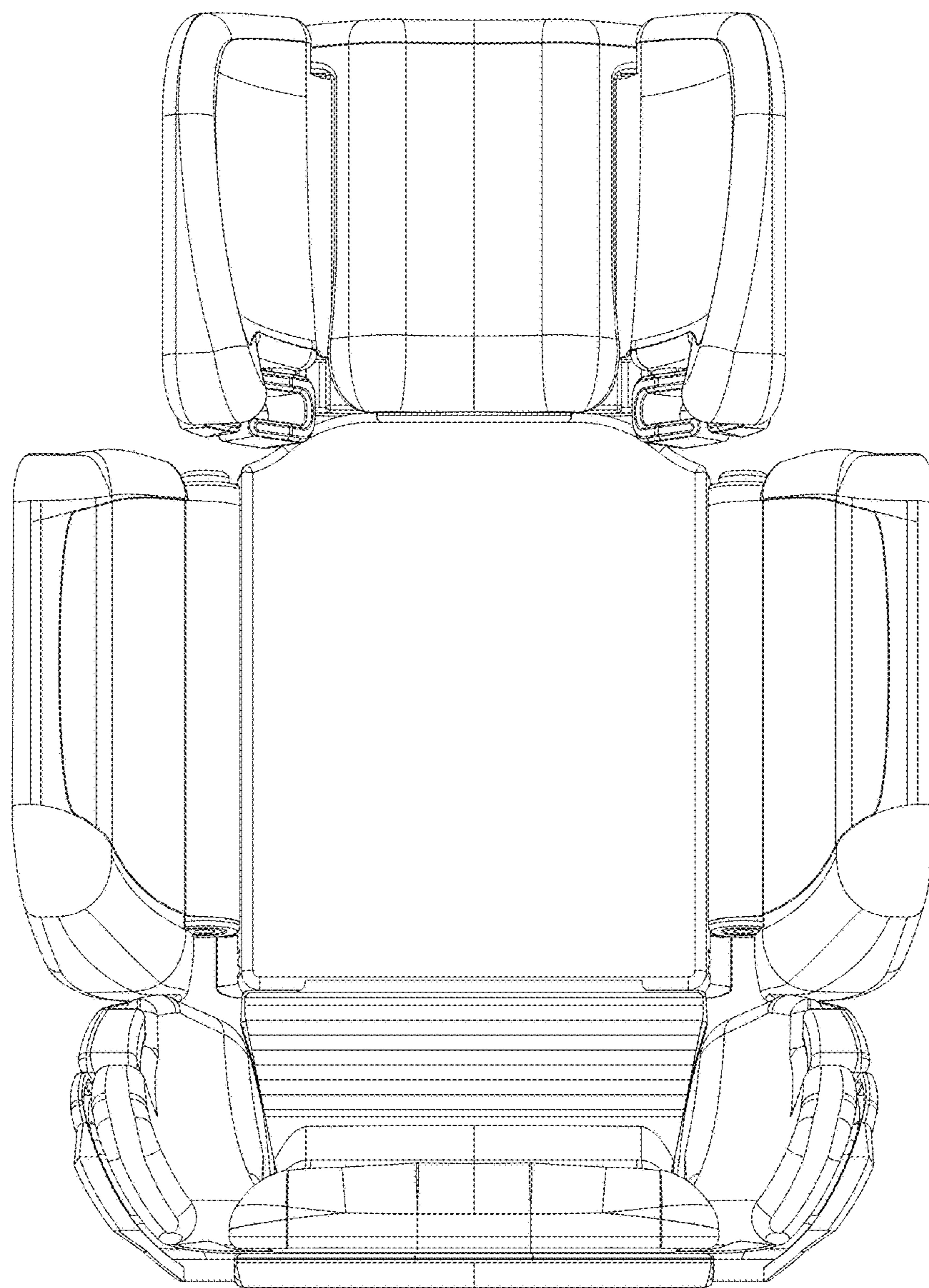


FIG. 2

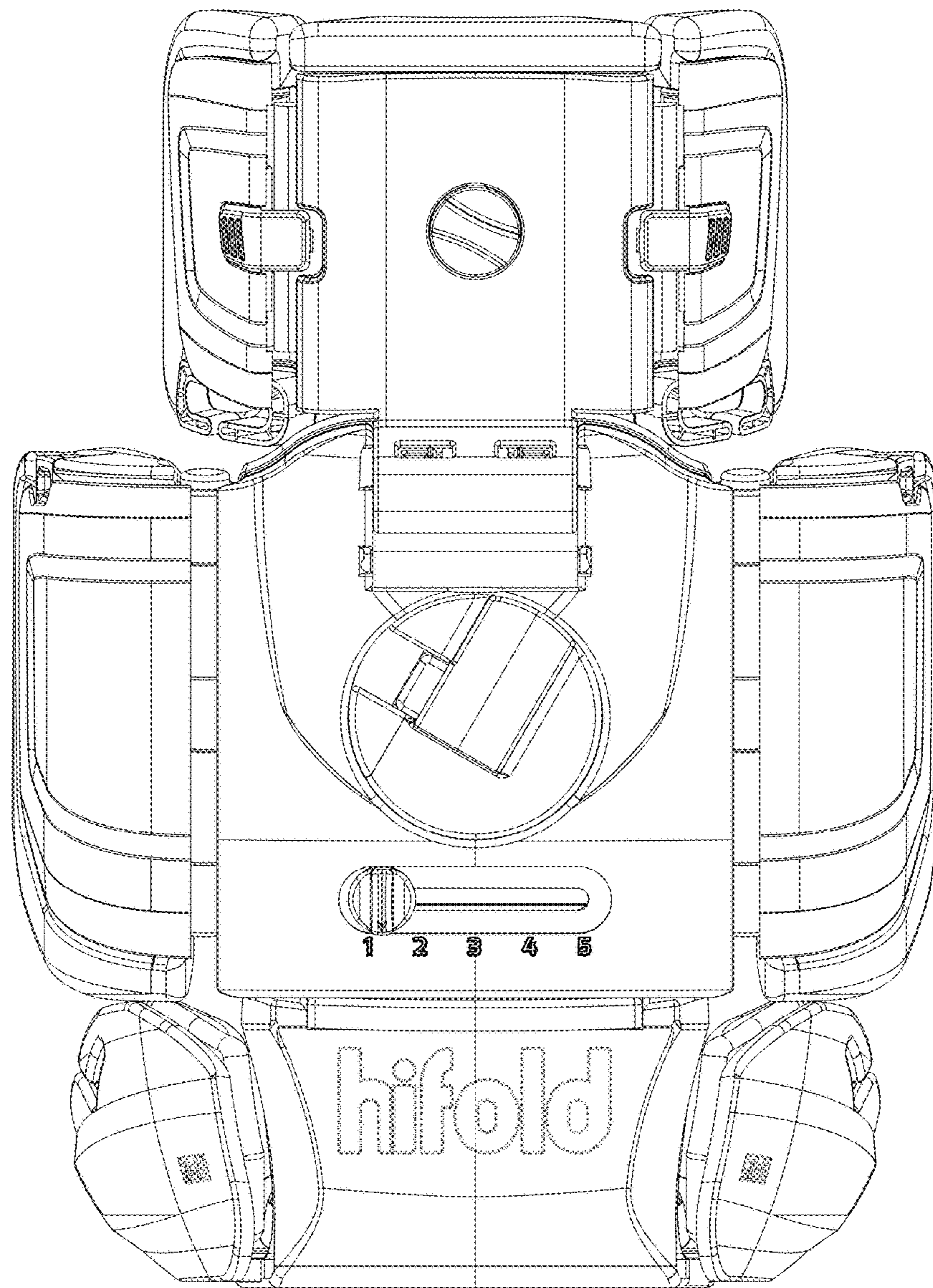
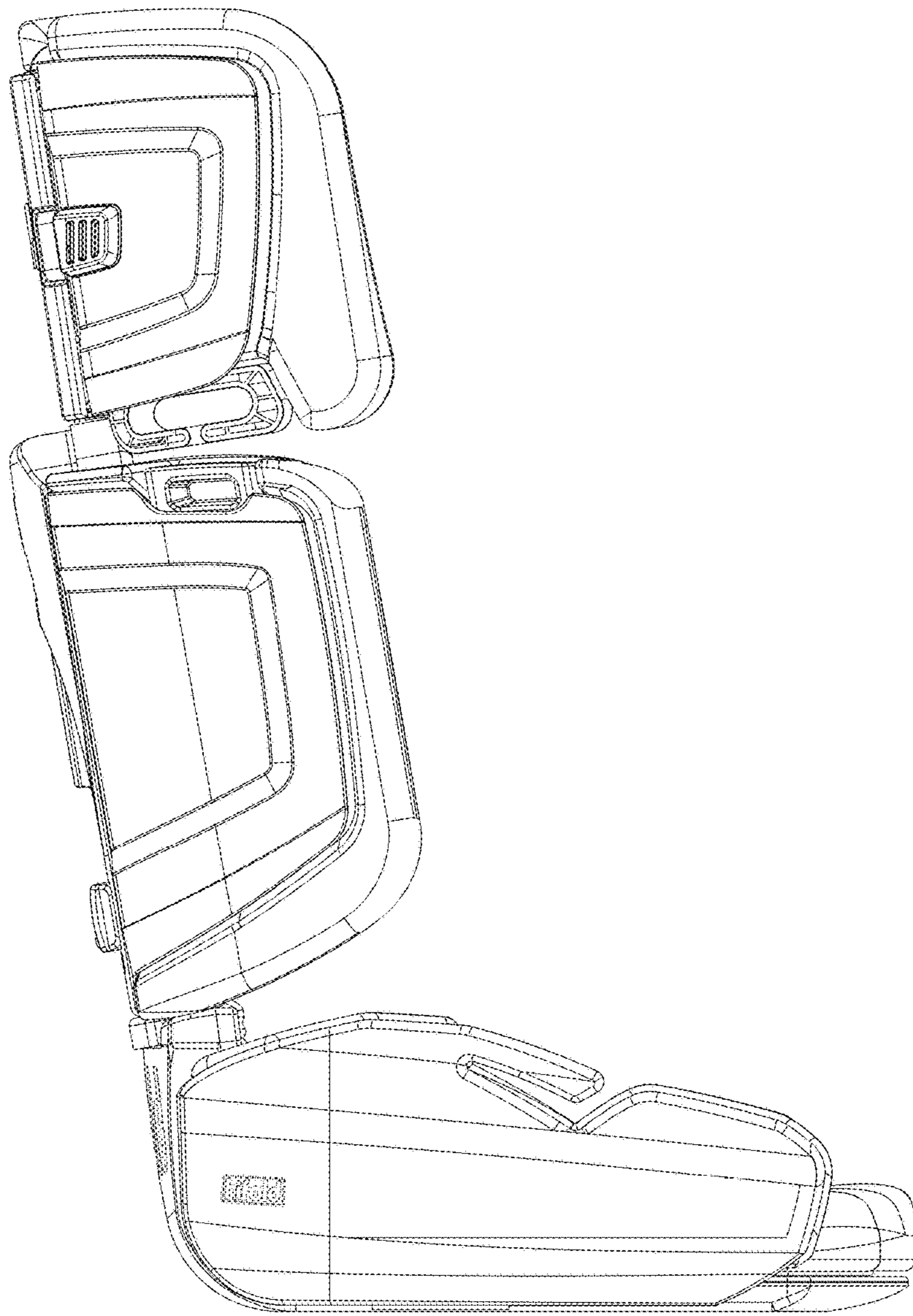
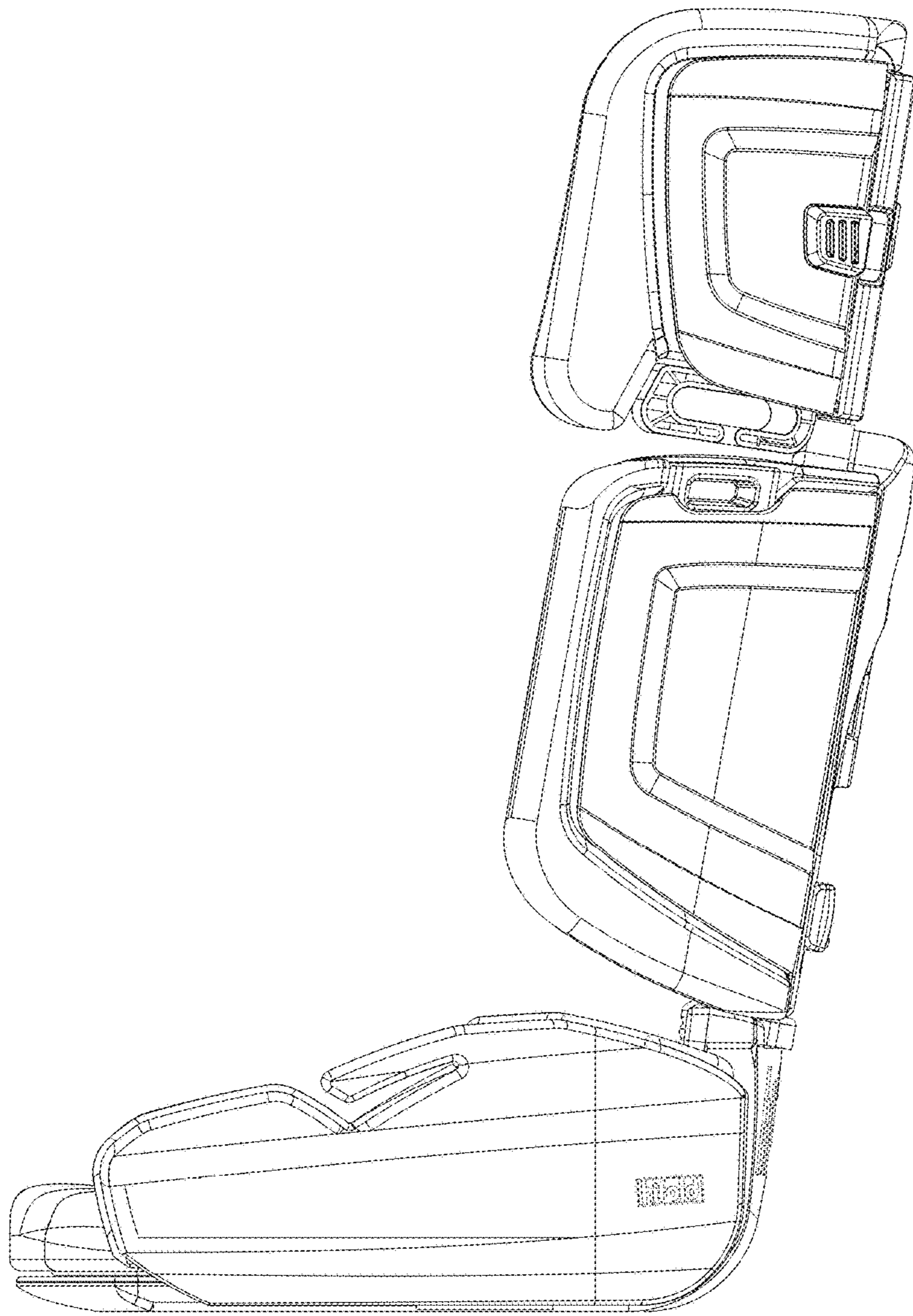


FIG. 3

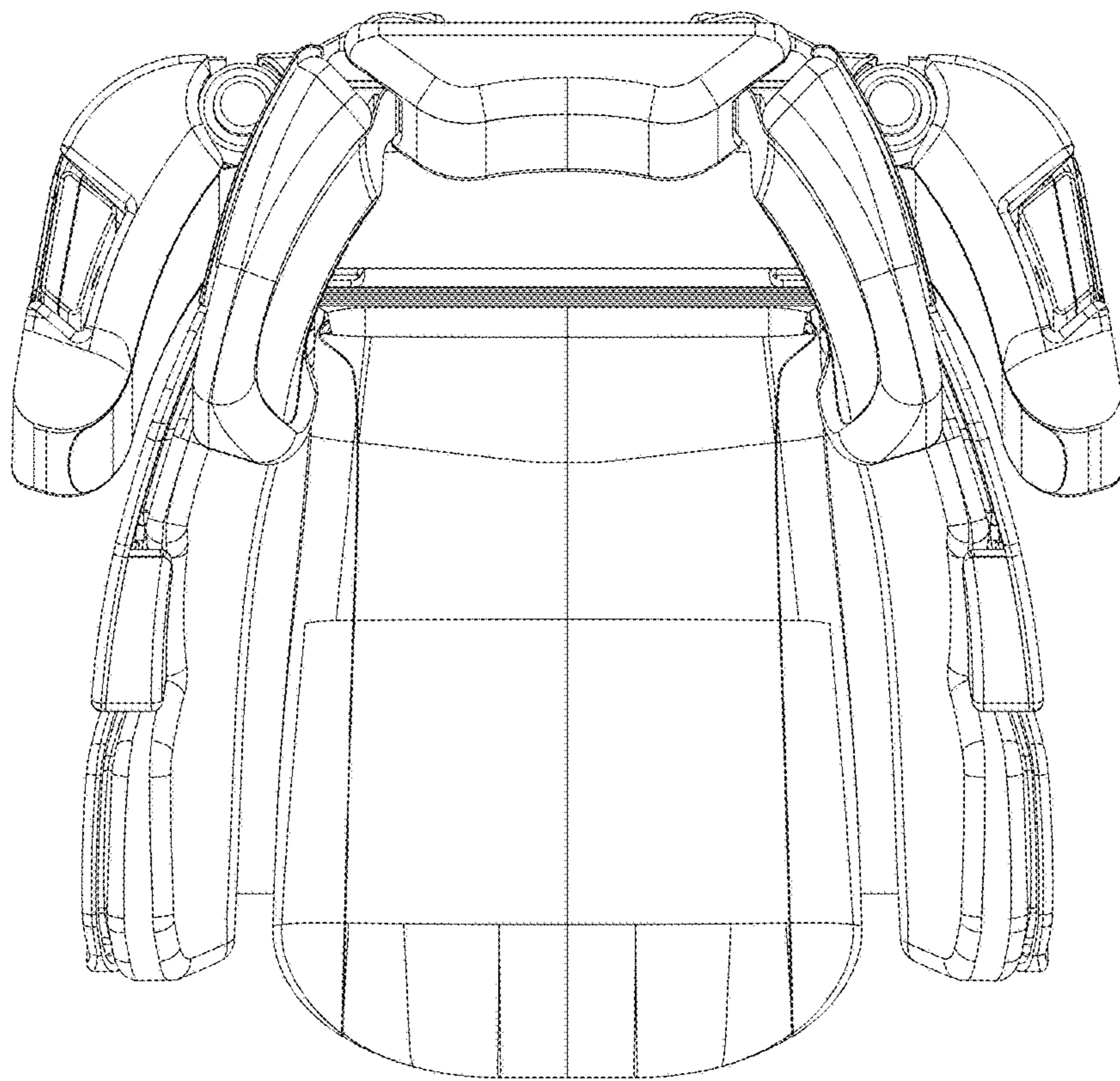


*FIG. 4*





*FIG. 5*



*FIG. 6*



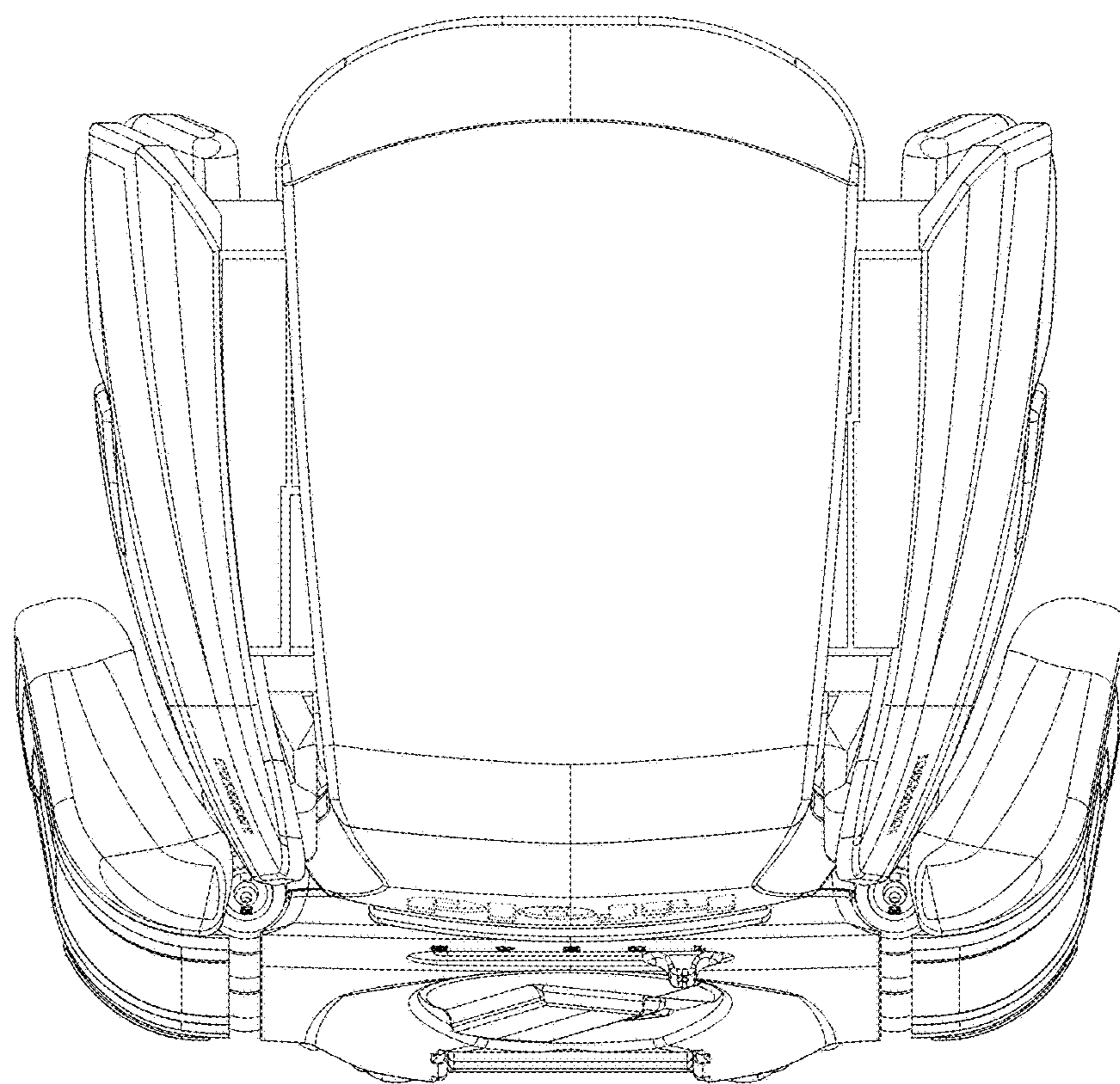
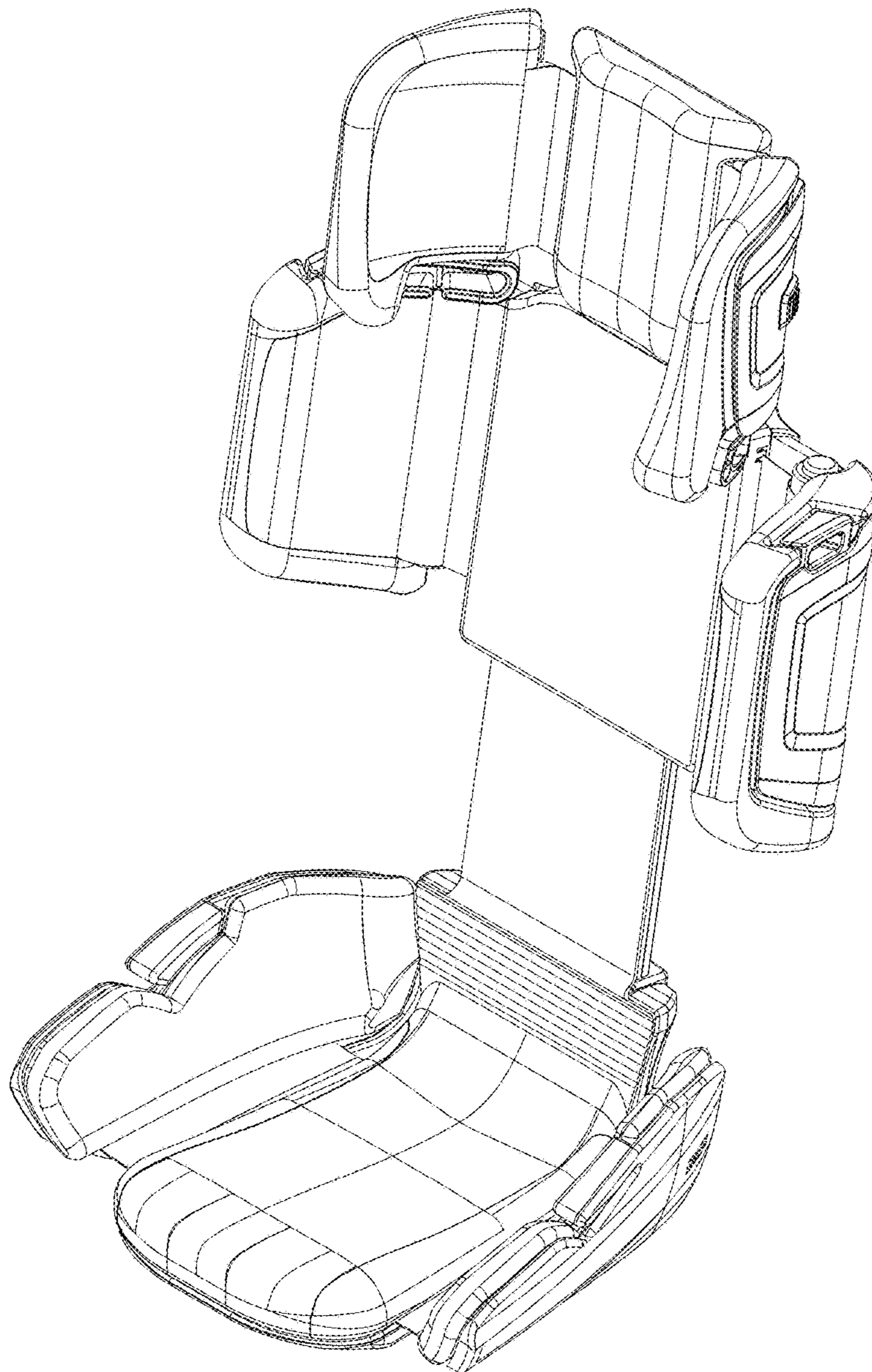
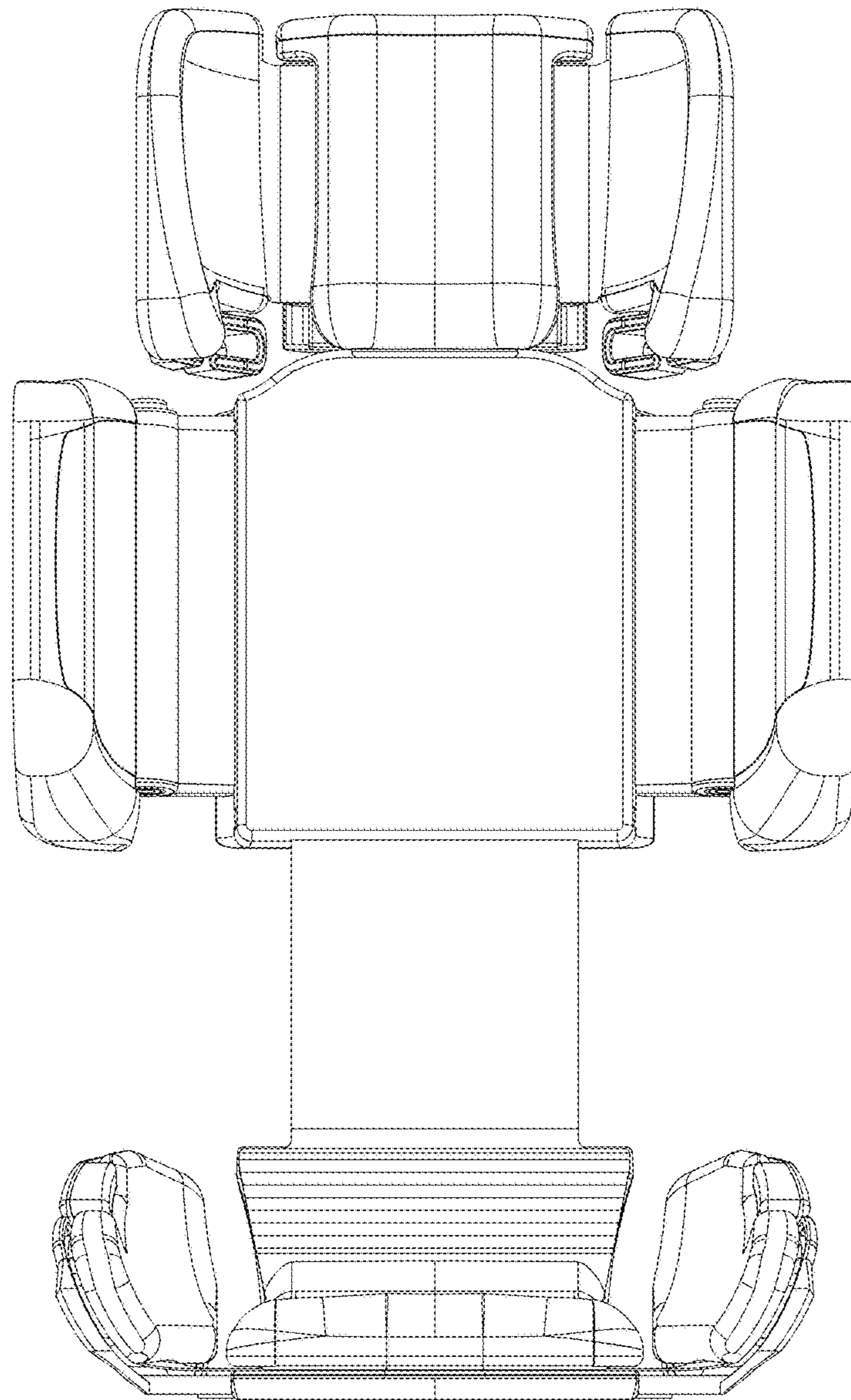


FIG. 7



**FIG. 8**



*FIG. 9*



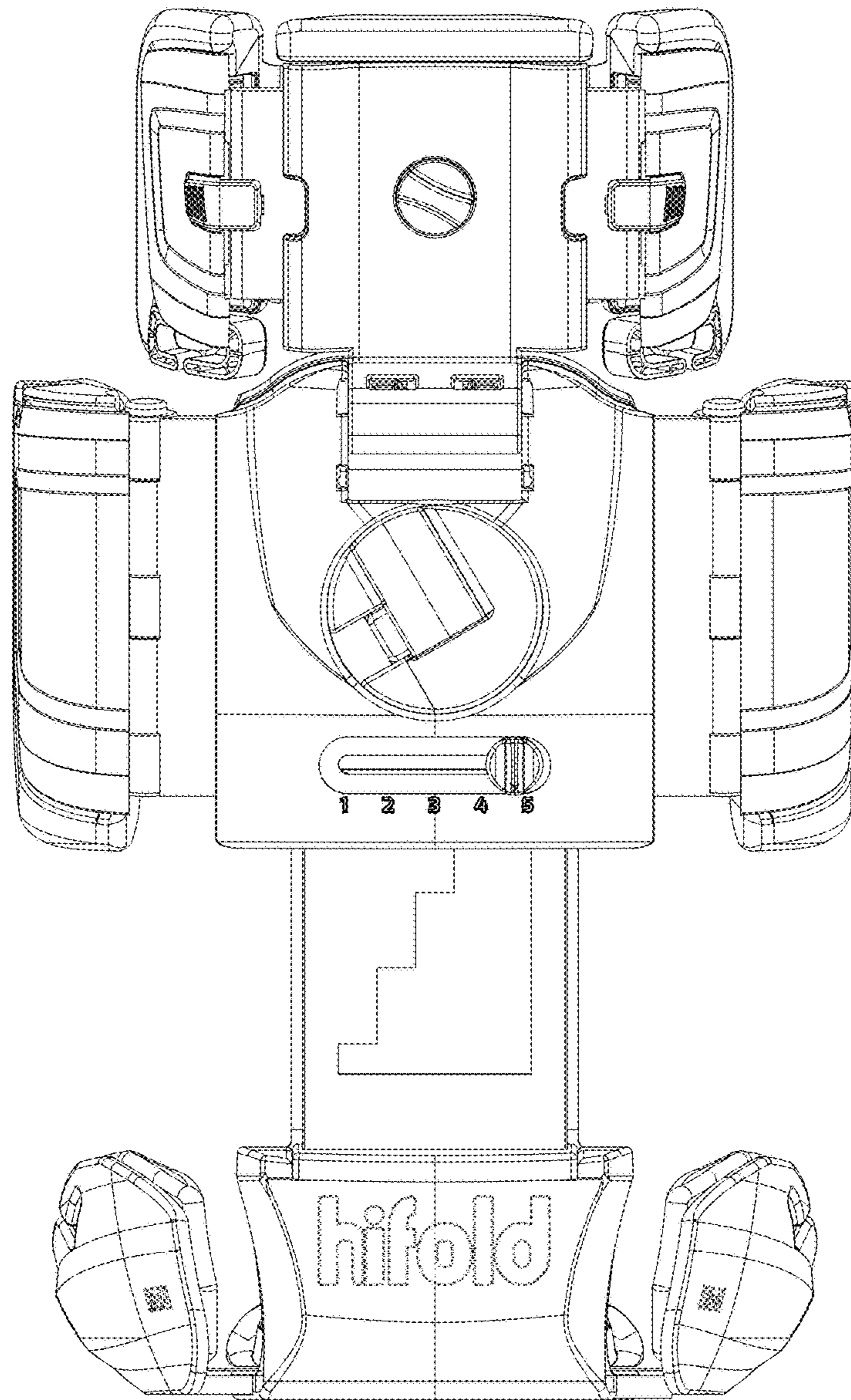
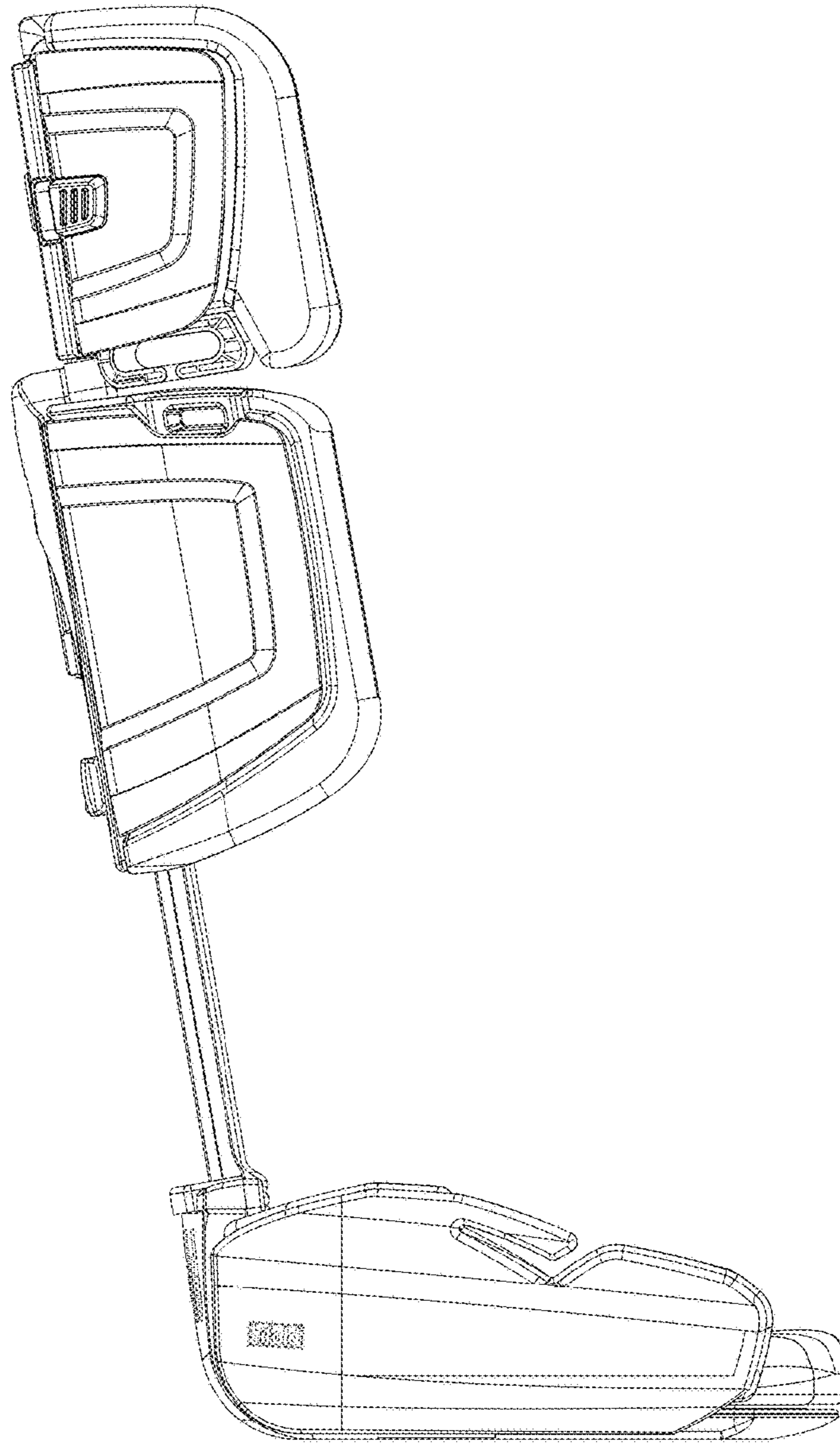
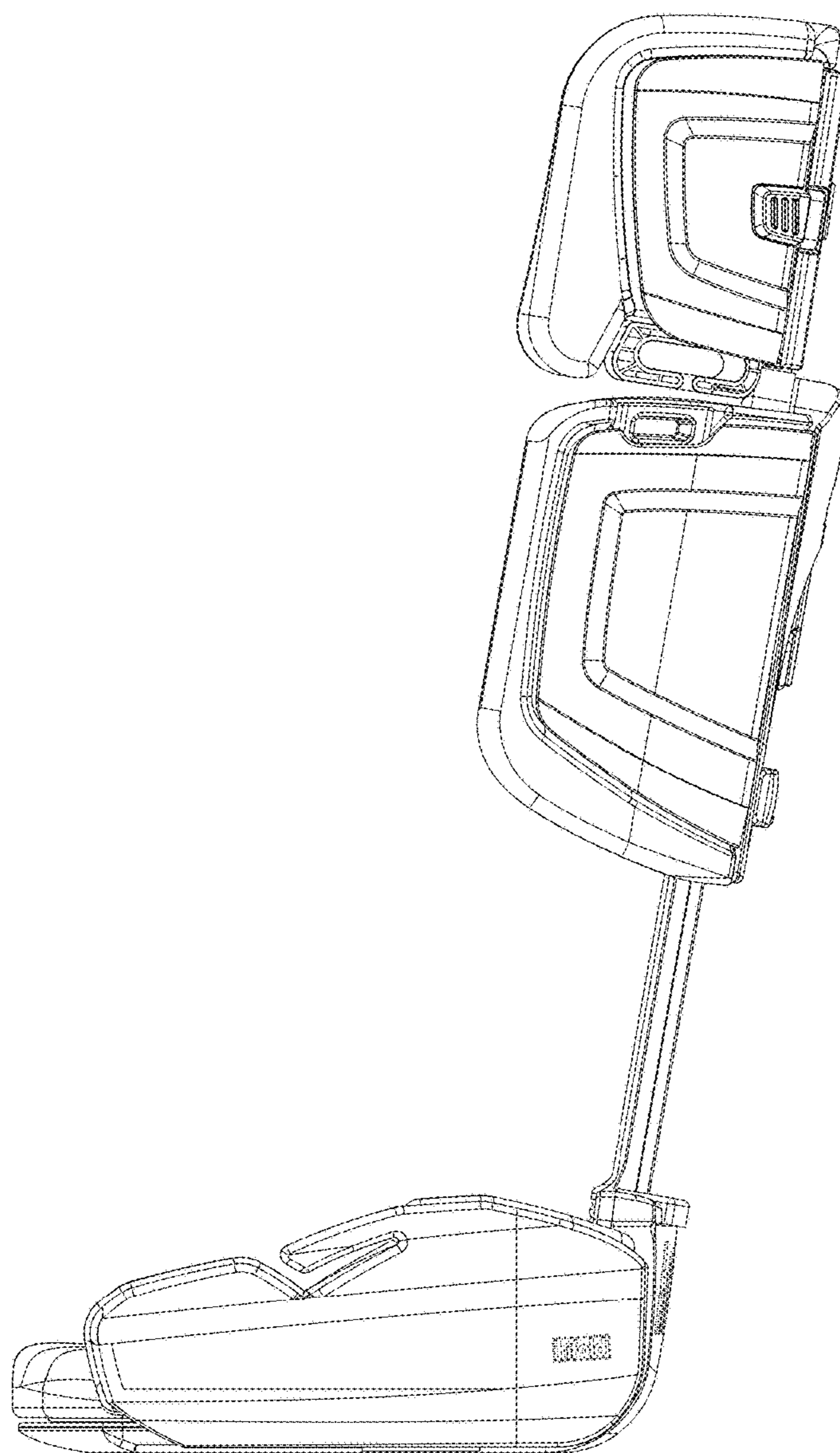


FIG. 10

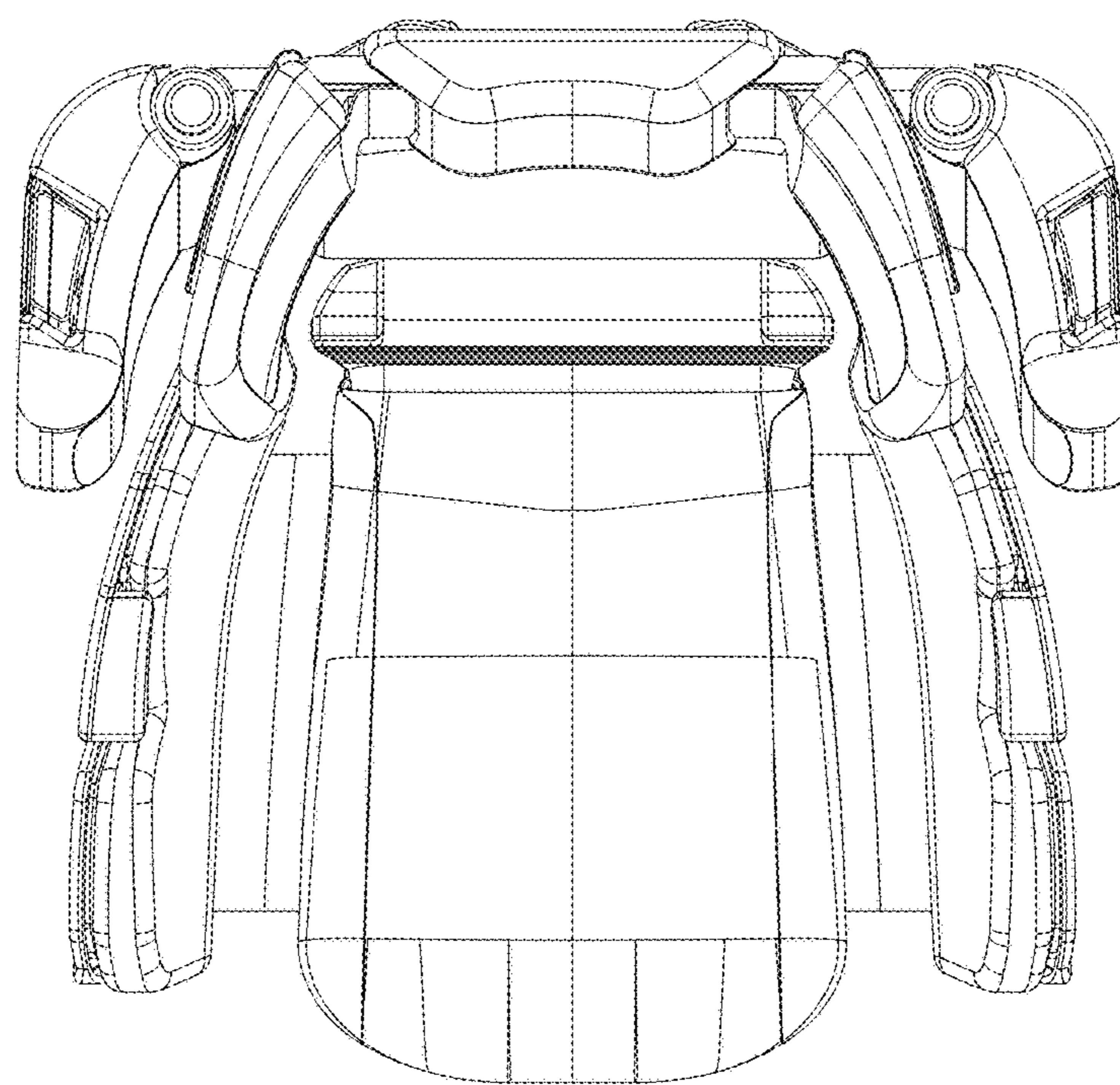


*FIG. 11*

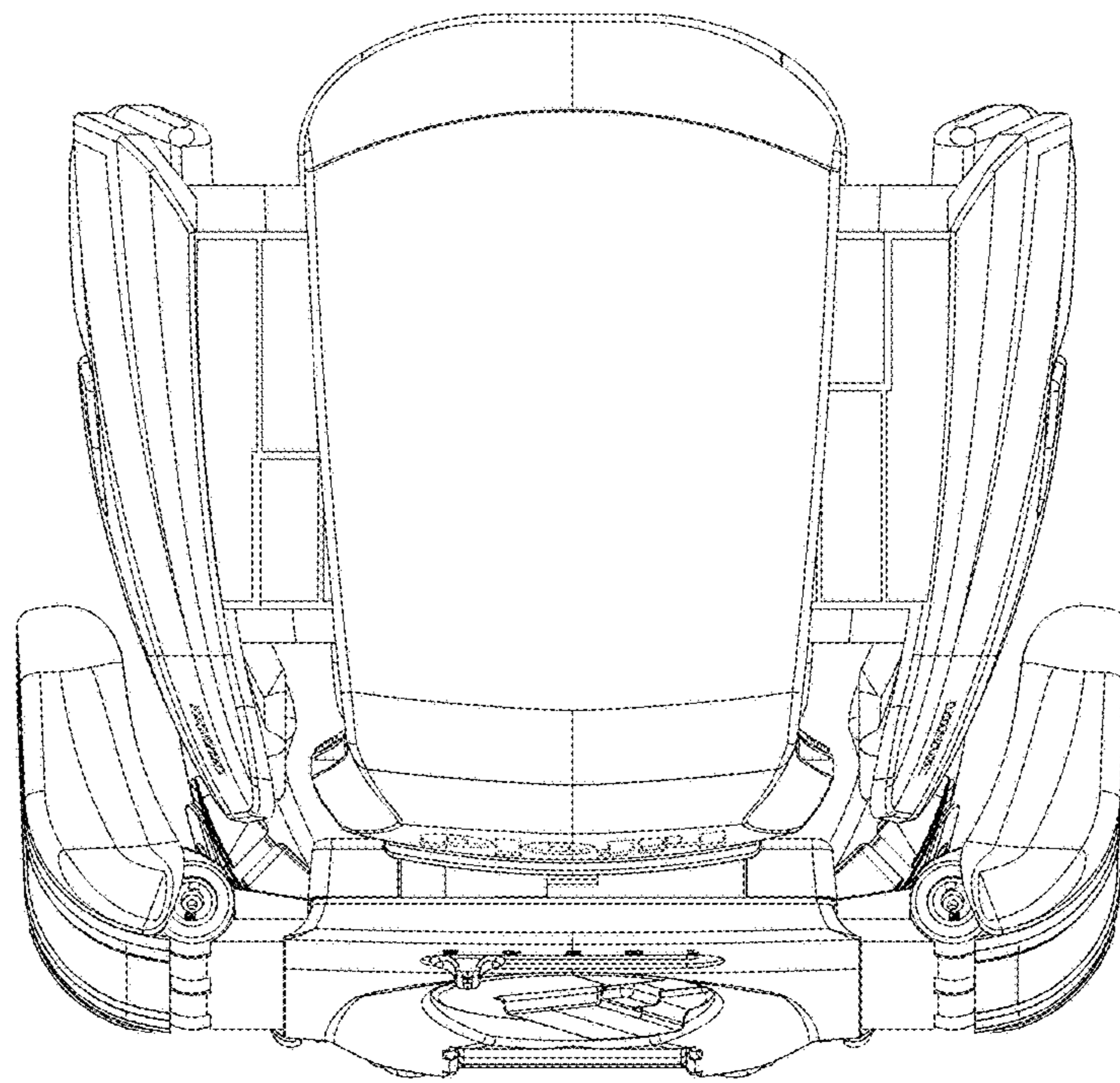


*FIG. 12*

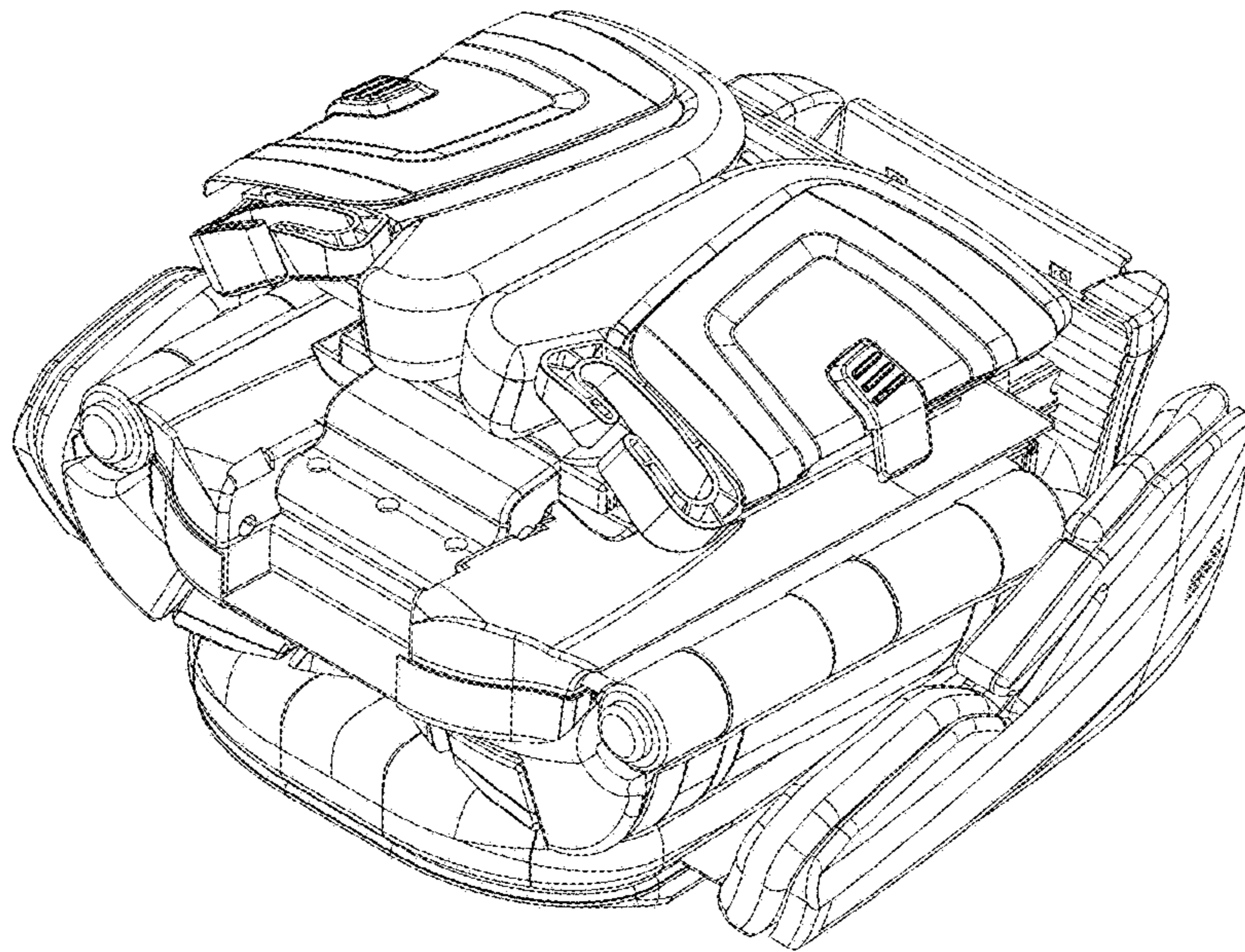




*FIG. 13*

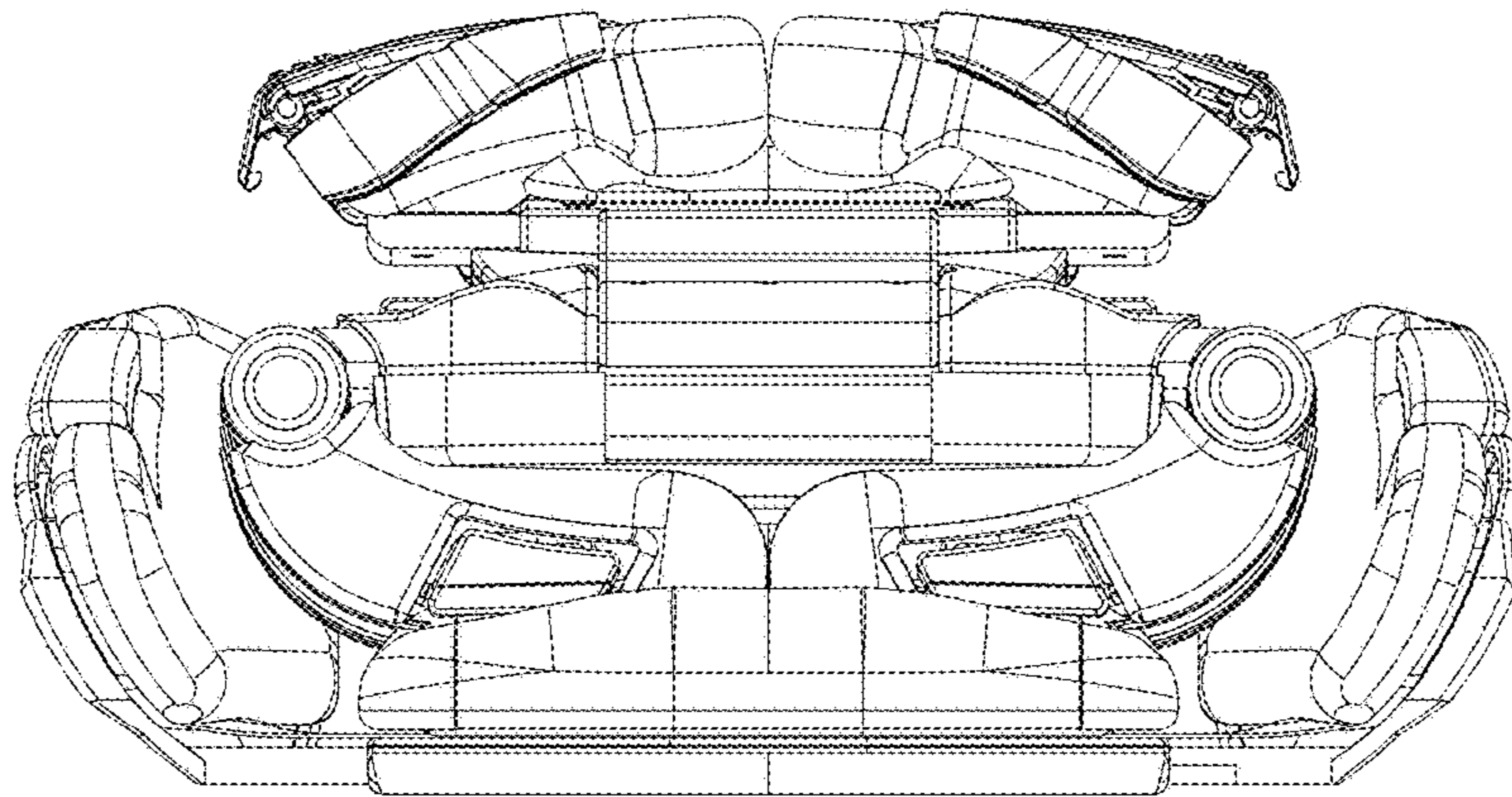


*FIG. 14*

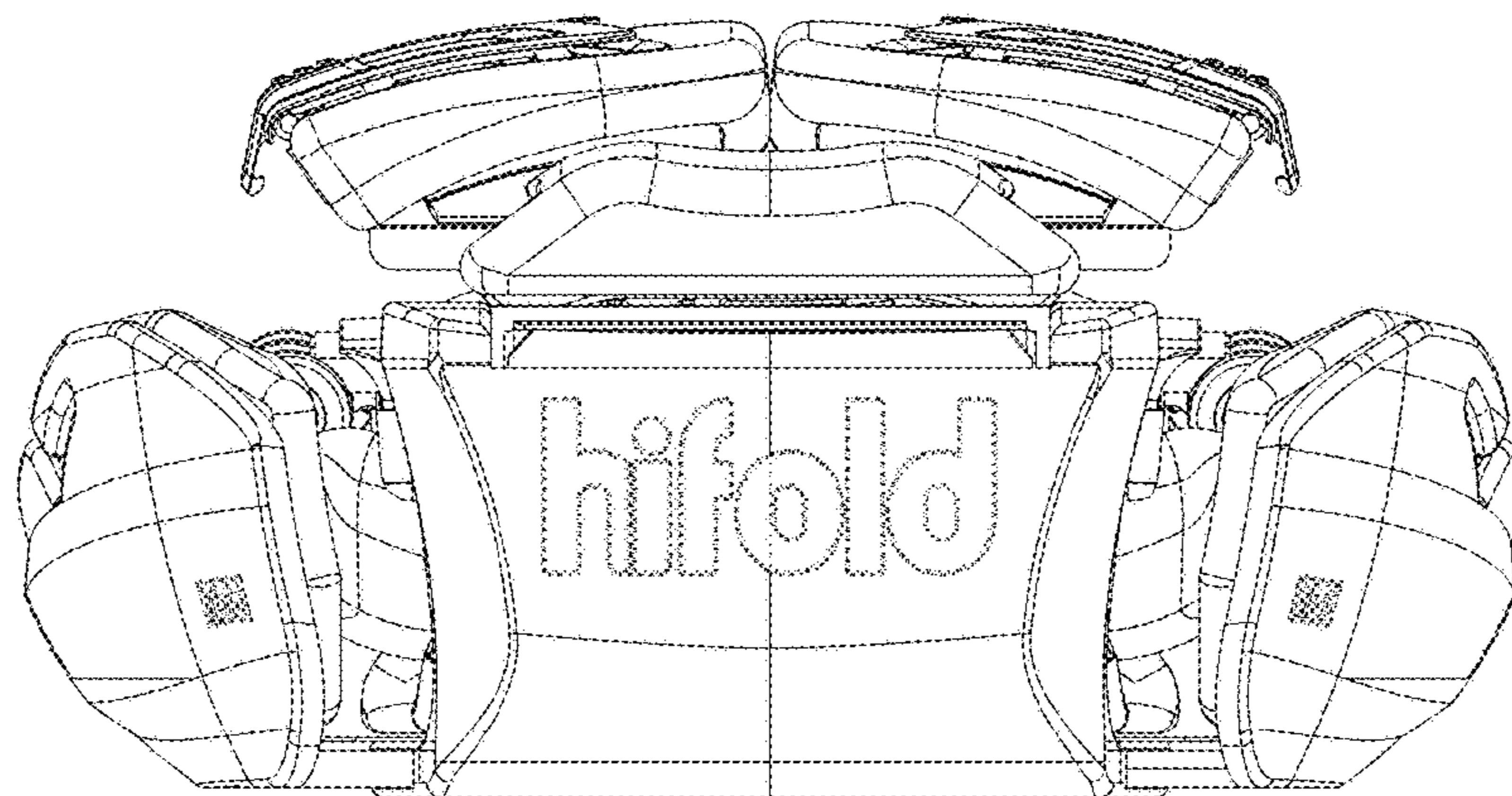


*FIG. 15*

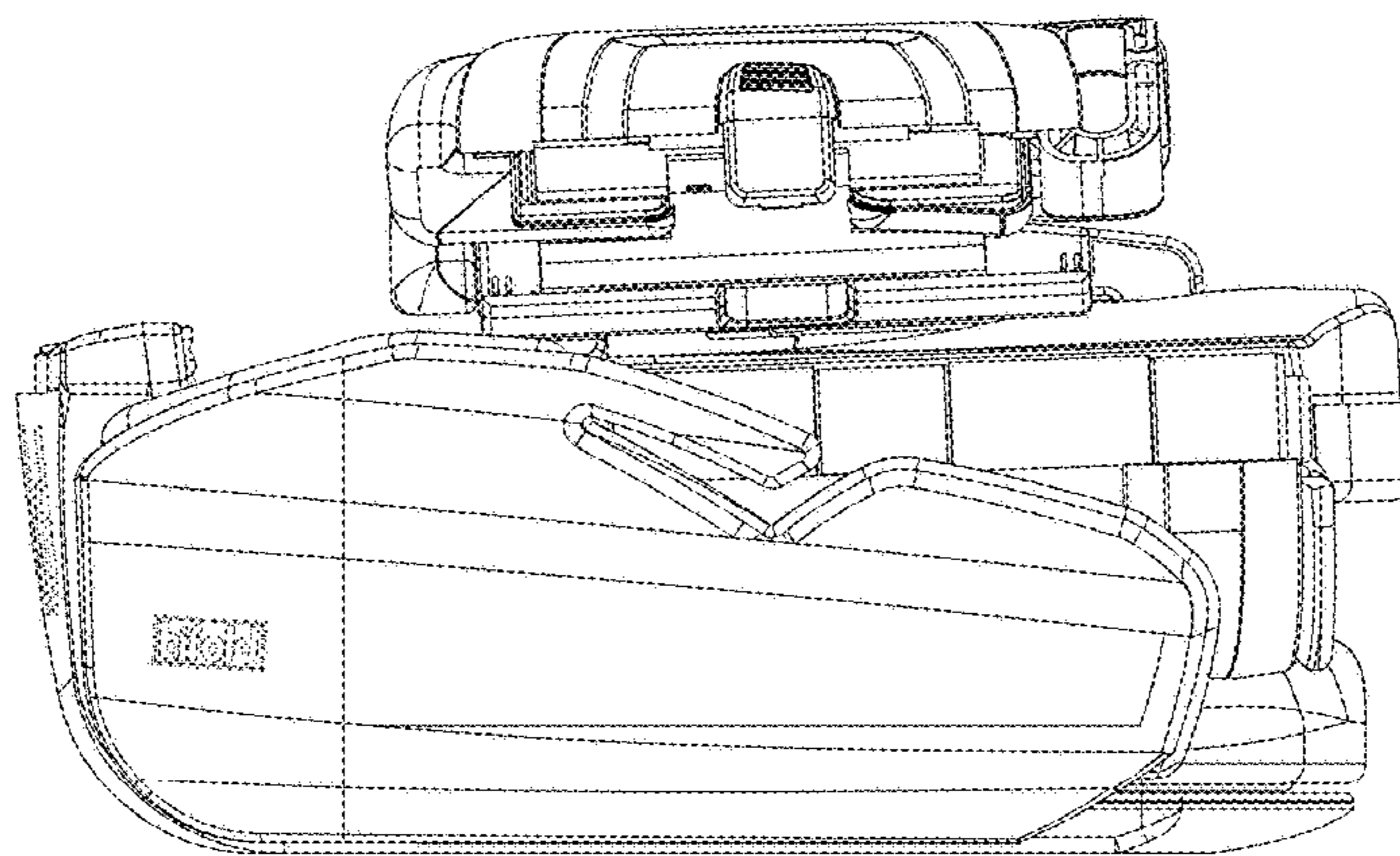




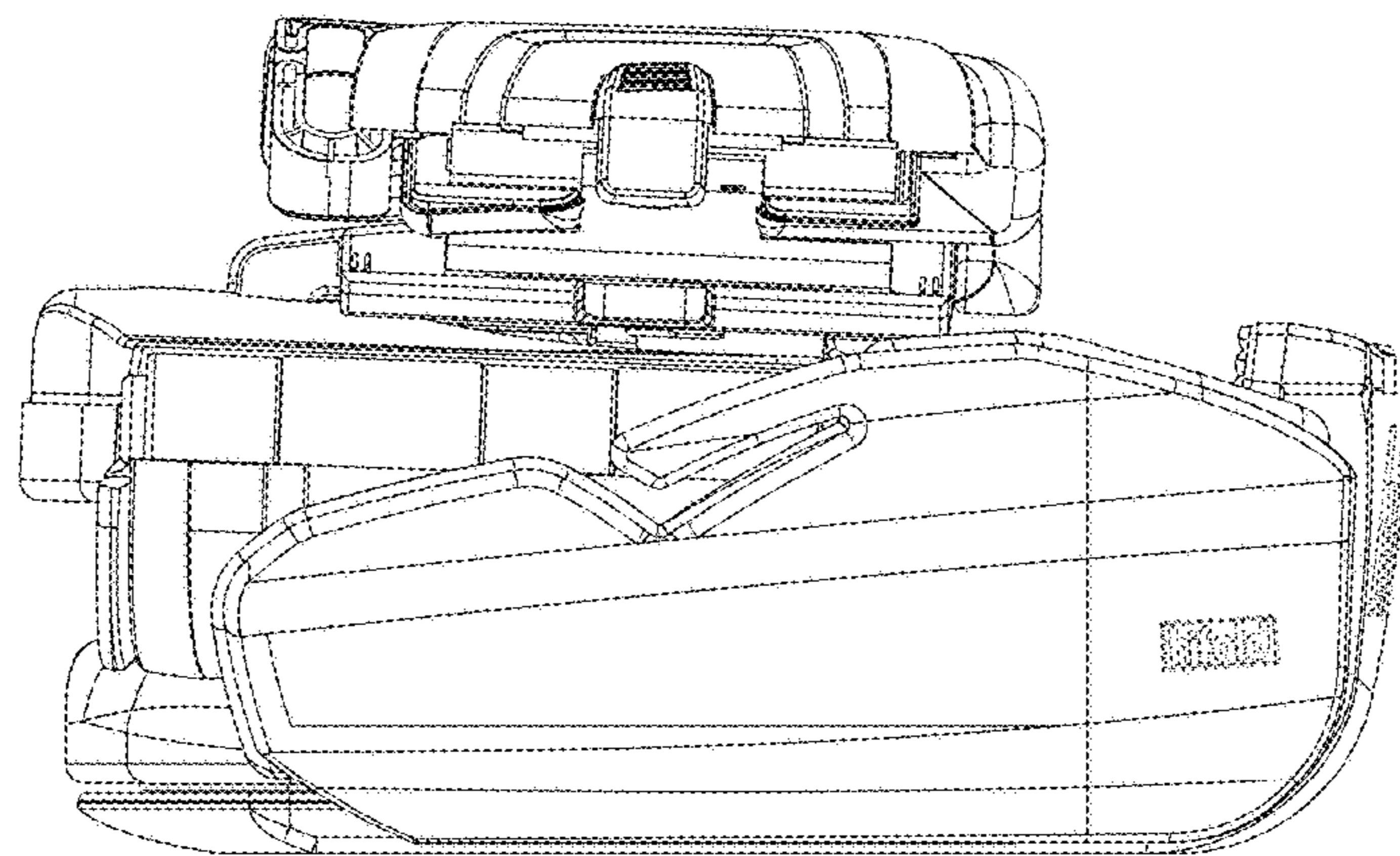
*FIG. 16*



*FIG. 17*

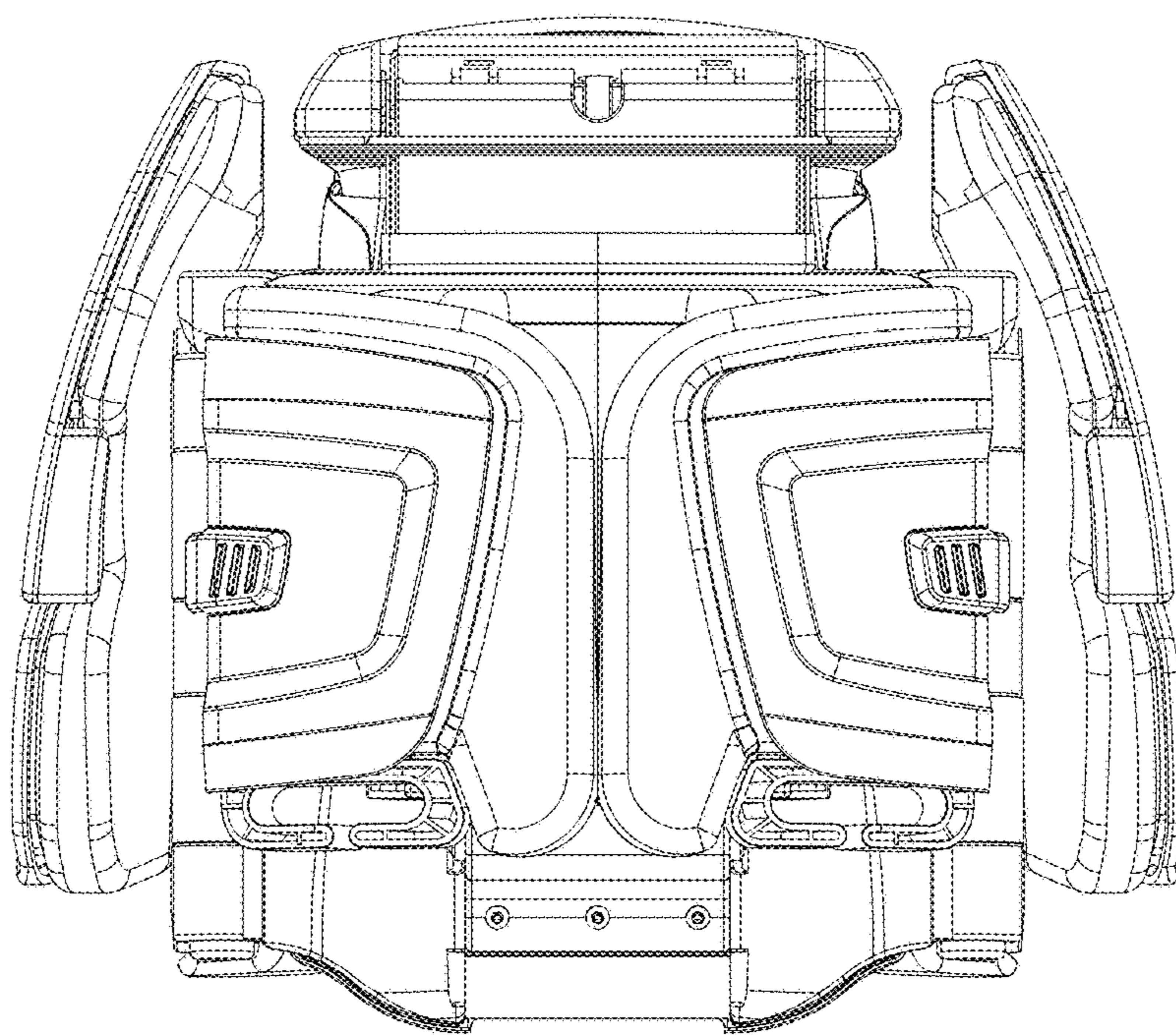


*FIG. 18*

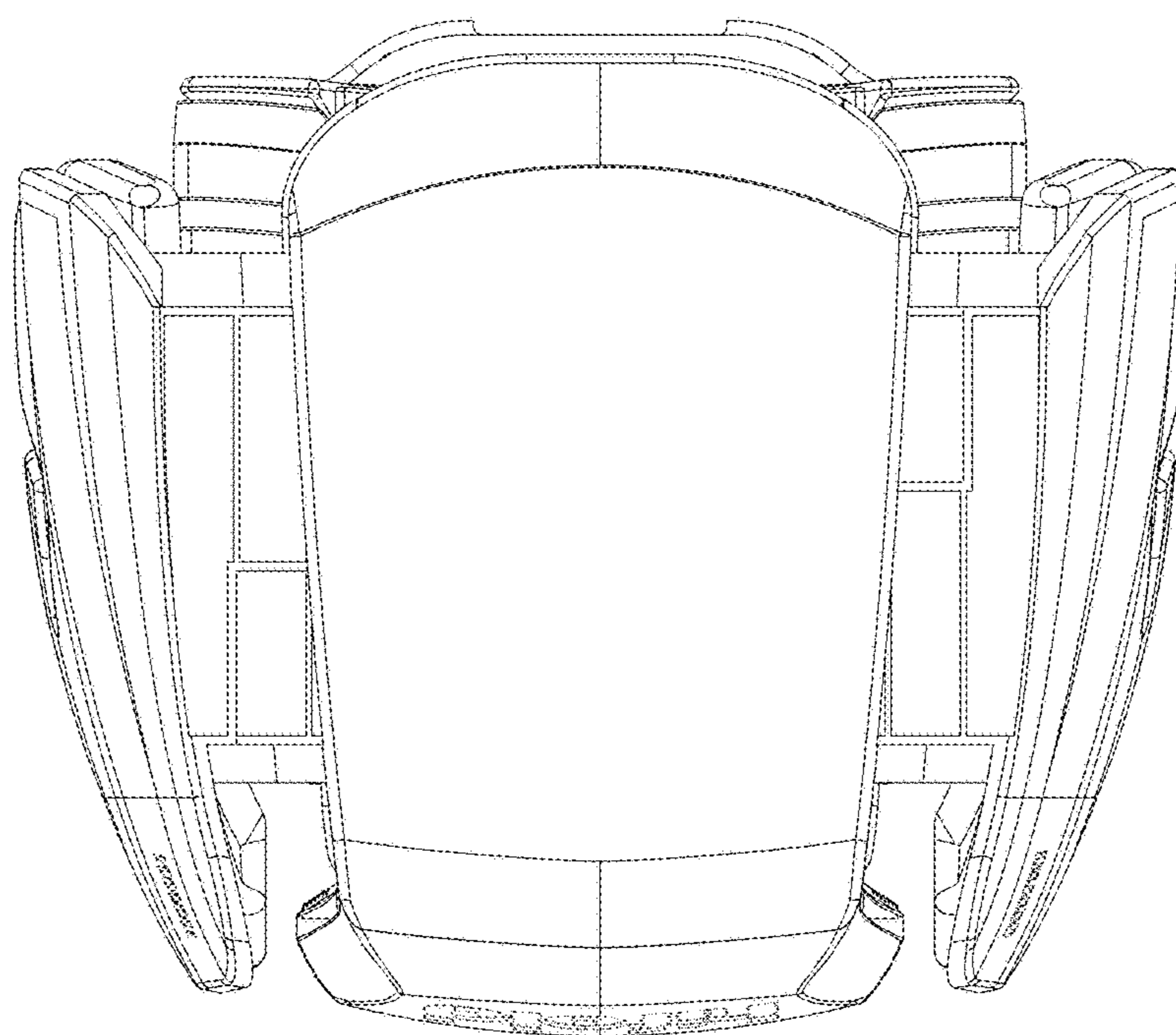


*FIG. 19*





*FIG. 20*



*FIG. 21*