



US00D845000S

(12) **United States Design Patent**
Simpson

(10) **Patent No.:** **US D845,000 S**

(45) **Date of Patent:** **** Apr. 9, 2019**

(54) **PAINT ROLLER FRAME**
(71) Applicant: **UNI-PRO PAINTING EQUIPMENT PTY. LTD., Kilsyth (AU)**
(72) Inventor: **Ken Simpson, Kilsyth (AU)**
(73) Assignee: **UNI-PRO PAINTING EQUIPMENT PTY. LTD., Kilsyth, Victoria (AU)**
(**) Term: **15 Years**

D473,055 S * 4/2003 Mann D4/122
D574,153 S * 8/2008 Dehart D4/122
D630,856 S * 1/2011 Arvinte D4/122
D677,903 S * 3/2013 Boukair D4/122
D683,546 S * 6/2013 Woolfolk D4/122
8,819,885 B1 * 9/2014 Boukair B05C 17/0205
15/143.1
D728,945 S * 5/2015 Neal D4/122
D750,381 S * 3/2016 Parker D4/122
D773,827 S * 12/2016 Typrowicz D4/122
D796,211 S * 9/2017 Getchell D4/122
D800,455 S * 10/2017 Ferris D4/122

(21) Appl. No.: **29/666,969**

(22) Filed: **Oct. 17, 2018**

(30) **Foreign Application Priority Data**

Apr. 17, 2018 (AU) 201812260

(51) **LOC (11) Cl.** **14-01**

(52) **U.S. Cl.**
USPC **D4/122**

(58) **Field of Classification Search**
USPC D4/122, 199; D6/317, 566; D8/370, D8/373, 303, 107; 15/27, 230.11; 211/106.01; 248/302; 492/13, 16, 17, 492/19; 16/422, 430, 431, 902, DIG. 12, 16/DIG. 18, DIG. 19
CPC B05C 1/00; B05C 1/02; B05C 17/0205; B44D 2/00
See application file for complete search history.

(56) **References Cited**

U.S. PATENT DOCUMENTS

3,774,278 A * 11/1973 Ashton B05C 17/02
15/230.11
D423,789 S * 5/2000 Saji D4/122

* cited by examiner

Primary Examiner — Austin Murphy

(74) *Attorney, Agent, or Firm* — Brinks Gilson & Lione; John C. Freeman

(57) **CLAIM**

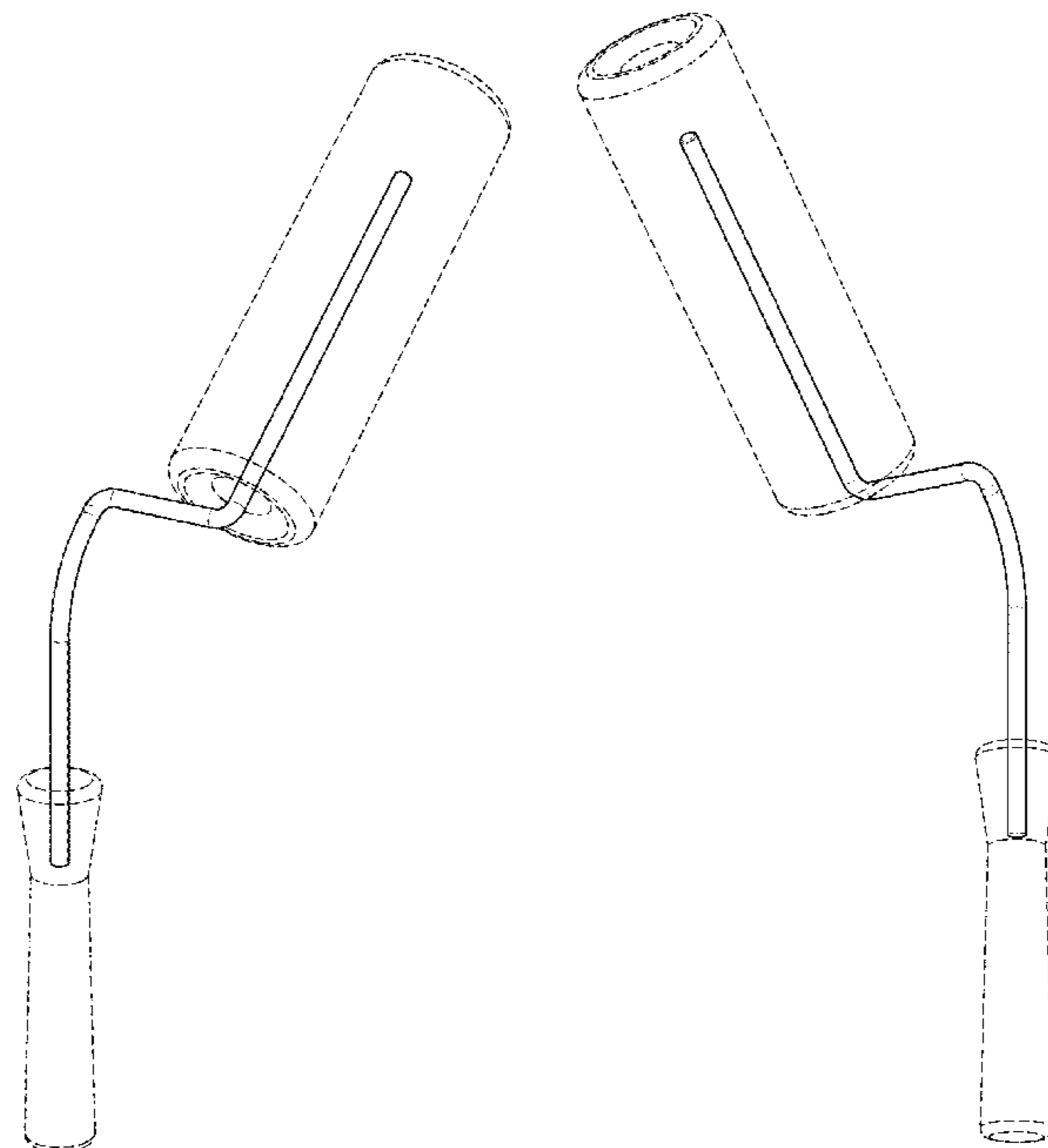
I claim the ornamental design for paint roller frame, as shown and described.

DESCRIPTION

FIG. 1 is a front perspective view from above of a paint roller frame showing my new design;
FIG. 2 is a rear perspective view from below thereof;
FIG. 3 is a front view thereof;
FIG. 4 is a rear view thereof;
FIG. 5 is a left side view thereof;
FIG. 6 is a right side view thereof;
FIG. 7 is a top view thereof; and,
FIG. 8 is a bottom view thereof.

The ornamental design which is claimed is shown in solid lines in the drawings. The broken lines showing of portions of the article are included for illustrative purposes only and form no part of the claimed design.

1 Claim, 7 Drawing Sheets



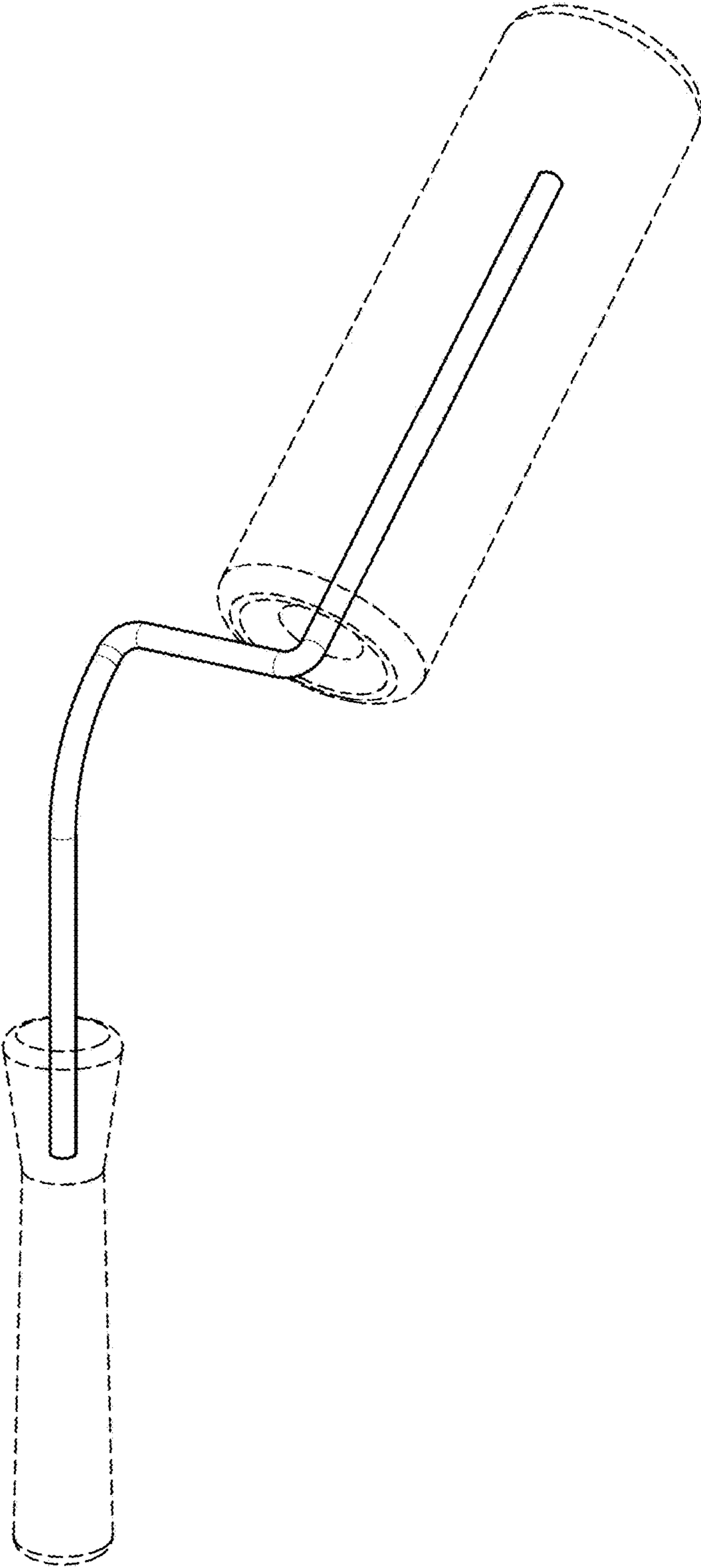


FIG. 1

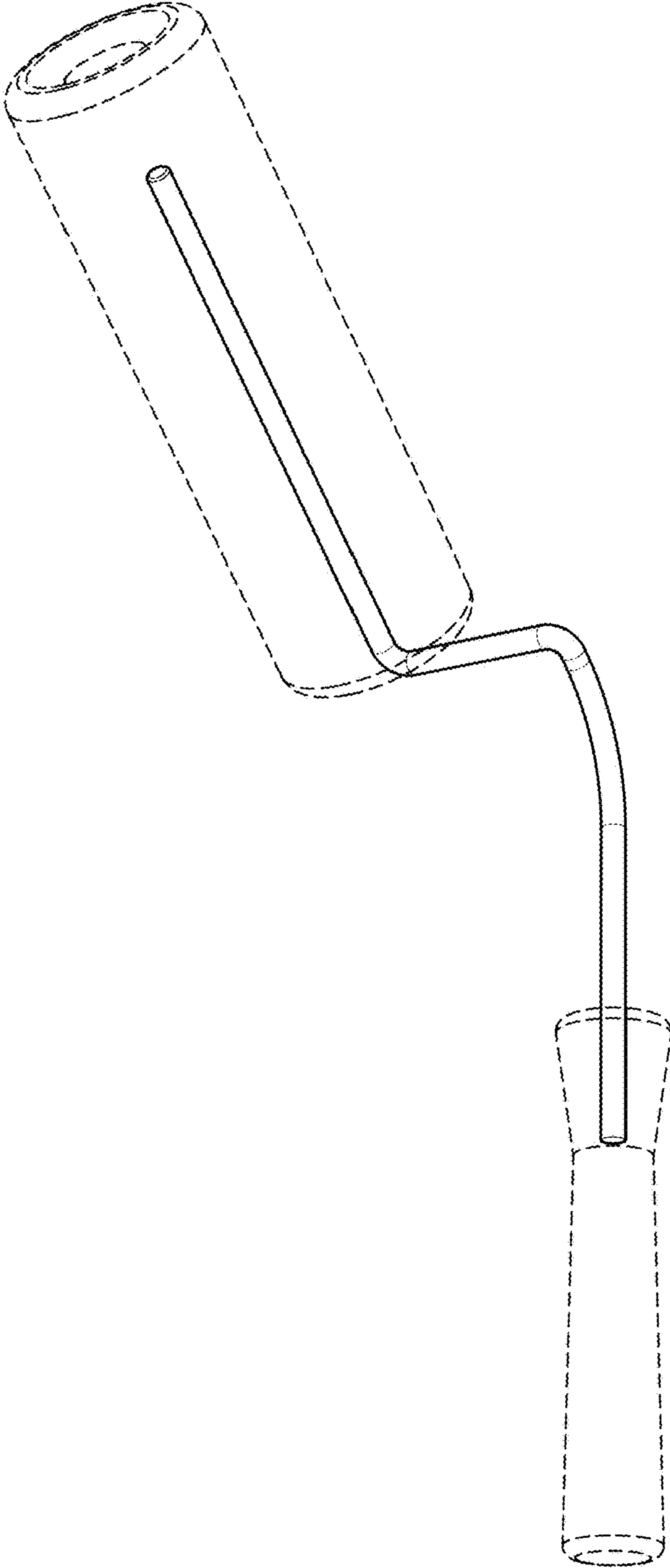


FIG. 2

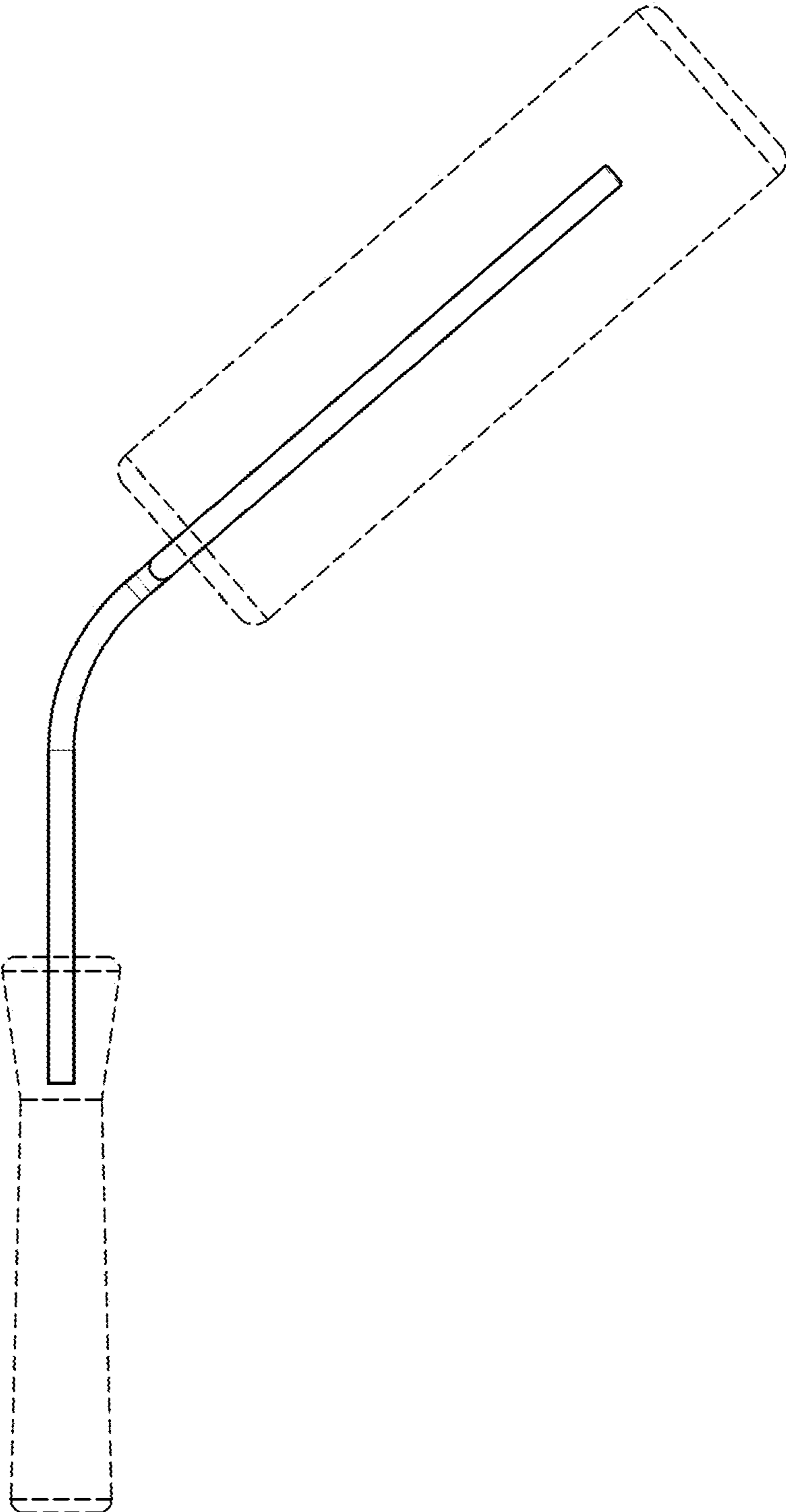


FIG. 3

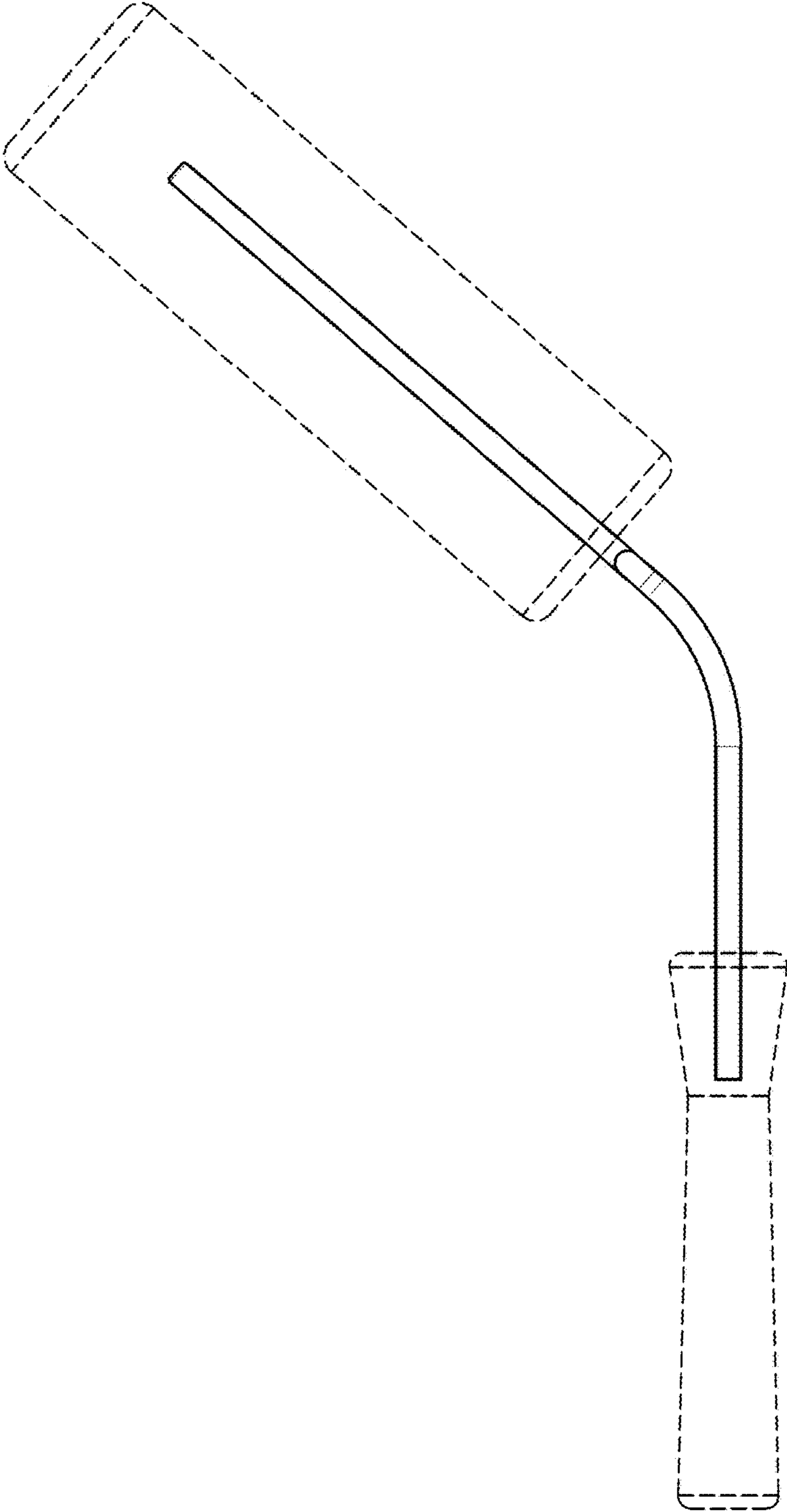


FIG. 4

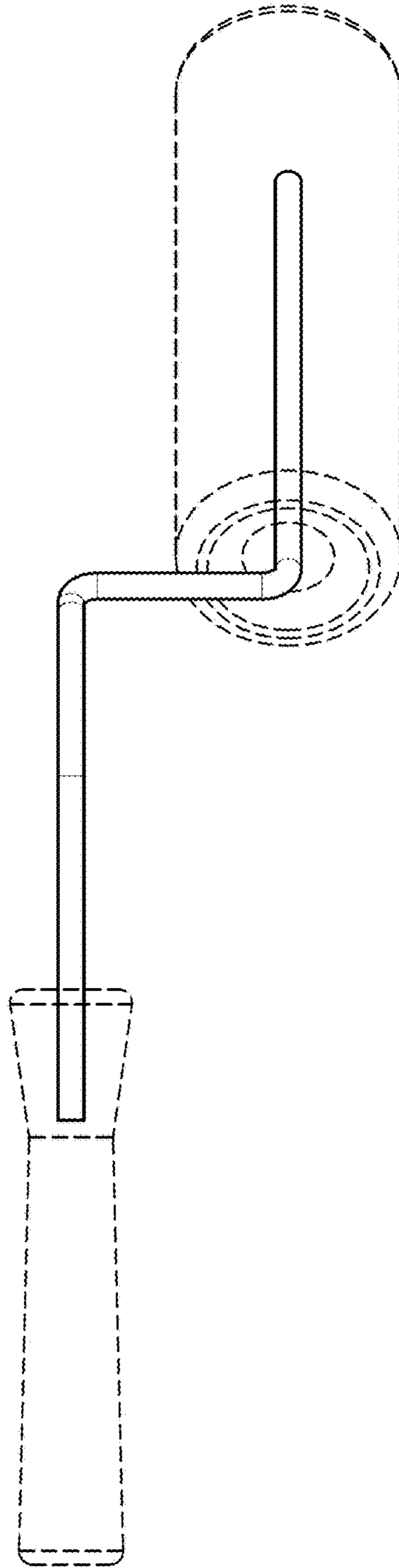


FIG. 5

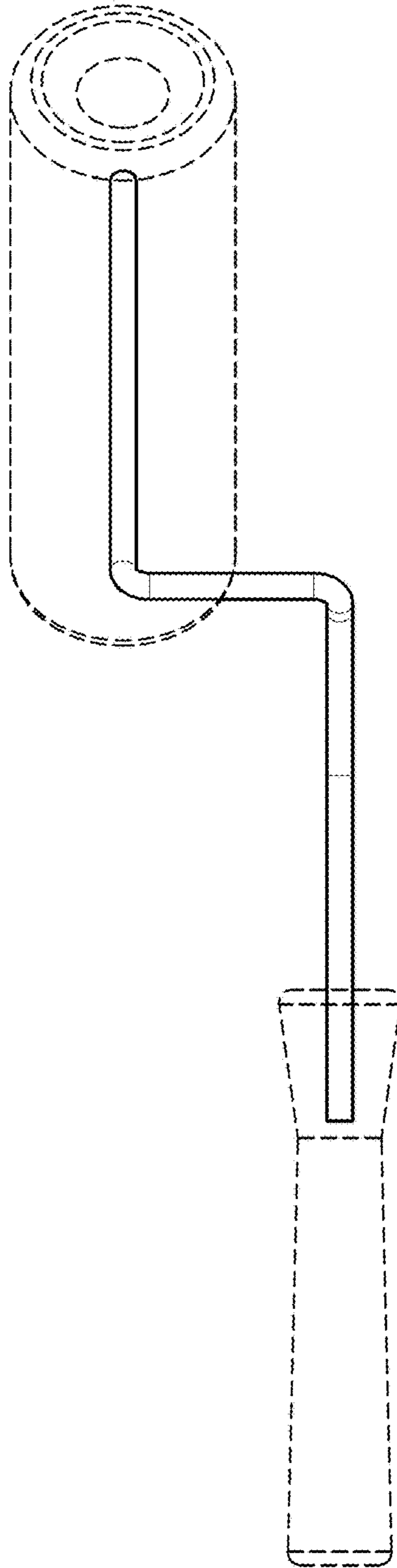


FIG. 6

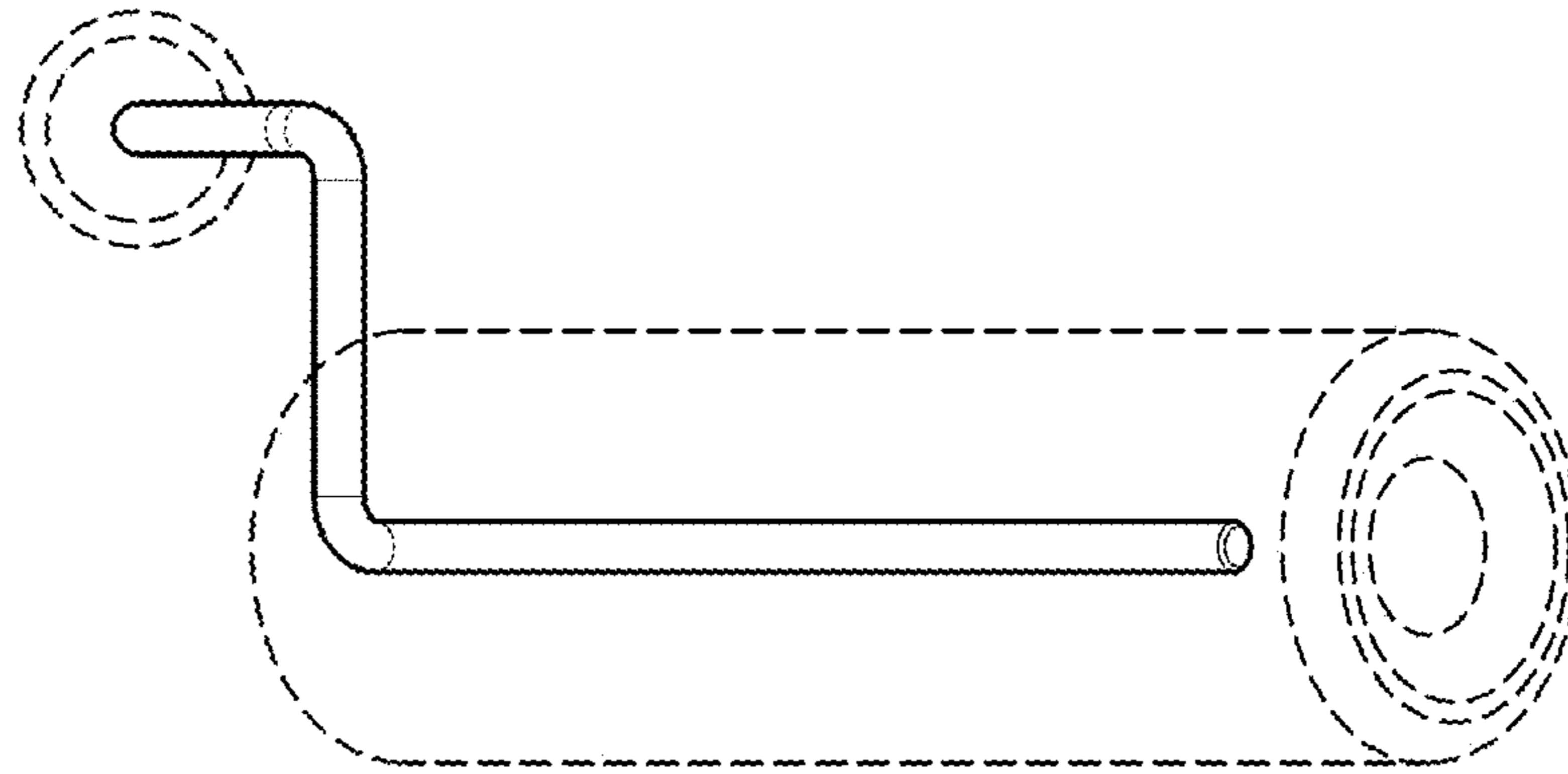


FIG. 7

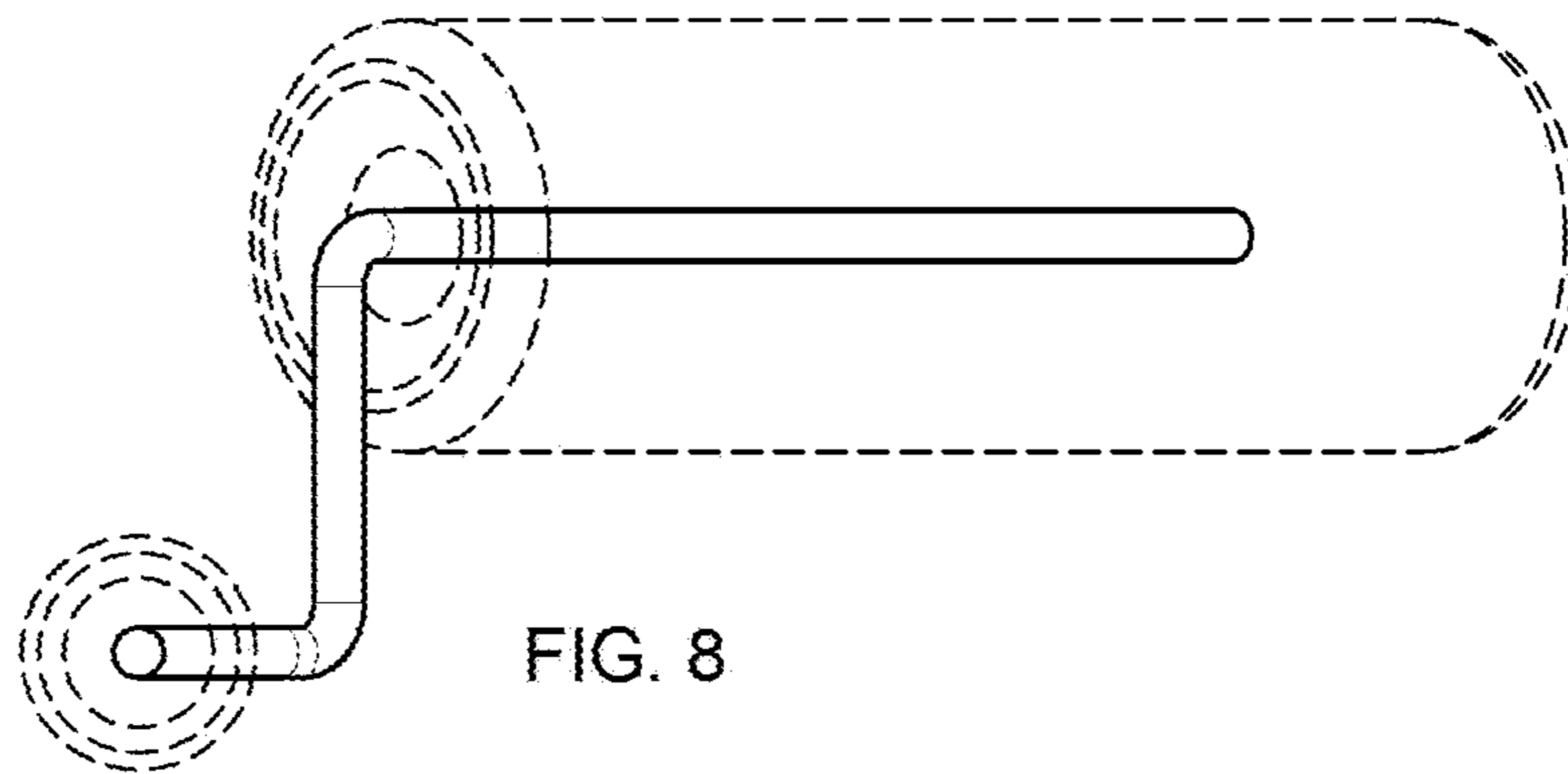


FIG. 8