



US00D844998S

(12) **United States Design Patent**
Wiener

(10) **Patent No.:** **US D844,998 S**

(45) **Date of Patent:** **** Apr. 9, 2019**

(54) **PAINT APPLICATOR**

2,272,641 A * 2/1942 Mureau A45D 40/262
222/390

(71) Applicant: **DESIGNING SOLUTIONS, LLC,**
Silver Spring, MD (US)

2,328,048 A 8/1943 Bair
2,348,515 A * 5/1944 Baumgartner A46B 3/16
15/195

(72) Inventor: **Deborah Wiener,** Silver Spring, MD
(US)

(Continued)

Primary Examiner — Rhea Shields

(74) *Attorney, Agent, or Firm* — Berenato & White, LLC

(73) Assignee: **Designing Solutions, LLC,** Silver
Spring, MD (US)

(57) **CLAIM**

The ornamental design for a paint applicator, as shown and
described.

(**) Term: **15 Years**

DESCRIPTION

(21) Appl. No.: **29/640,796**

(22) Filed: **Mar. 16, 2018**

(51) **LOC (11) Cl.** **04-01**

(52) **U.S. Cl.**

USPC **D4/114**

(58) **Field of Classification Search**

USPC D4/114, 138, 135, 121, 116; D28/77, 7;
D9/454, 529; D32/42, 25; 222/390, 327;
15/184, 195, 176.2, 159.1; 401/288, 208;
206/15.2

CPC A46B 17/00; A46B 3/16; A46B 11/0013;
A45D 40/262; A45D 40/264; A45D
34/042; A45D 33/00

See application file for complete search history.

FIG. 1 is a front perspective view of my design;
FIG. 2 is a front view of the design;
FIG. 3 is a rear view of the design;
FIG. 4 is a left-side view of the design;
FIG. 5 is a right-side view of the design;
FIG. 6 is a top view of the design;
FIG. 7 is a bottom view of the design;
FIG. 8 is an exploded view of the design shown in FIG. 1;
FIG. 9 is a front perspective view of an alternate position of
the design shown in FIG. 1;
FIG. 10 is a front perspective view of a second embodiment
of my design;
FIG. 11 is a front view of the second embodiment;
FIG. 12 is a rear view of the second embodiment;
FIG. 13 is a left-side view of the second embodiment;
FIG. 14 is a right-side view of the second embodiment;
FIG. 15 is a top view of the second embodiment;
FIG. 16 is a bottom view of the second embodiment;
FIG. 17 is an exploded view of the design shown in FIG. 10;
and,

FIG. 18 is a front perspective view of an alternate position
of the design shown in FIG. 10.

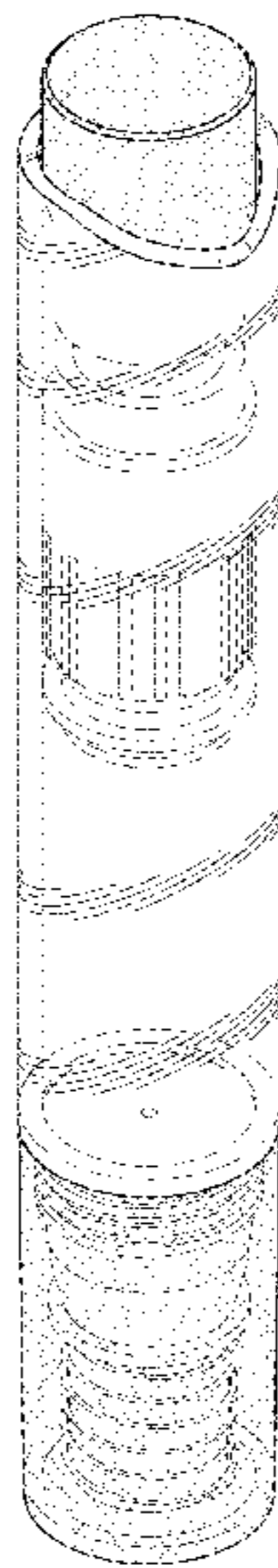
In the drawings, the stippling indicates a contrast in appear-
ance. The broken lines are for the purpose of showing the
relationship and order of parts of the paint applicator and
form no part of the claimed design.

(56) **References Cited**

U.S. PATENT DOCUMENTS

1,085,234 A	1/1914	Allan	
1,337,998 A	4/1920	Church	
1,393,841 A	10/1921	Simmons	
1,417,642 A	5/1922	Tallman	
1,548,259 A	8/1925	Erikson	
2,121,239 A	6/1938	Ashley	
2,143,712 A *	1/1939	Rissman A46B 11/0013 15/176.2
2,264,564 A	12/1941	Connor	

1 Claim, 12 Drawing Sheets



(56)

References Cited

U.S. PATENT DOCUMENTS

D142,328 S * 8/1945 Sarff D28/77
 2,554,287 A 5/1951 Wilson
 2,789,304 A * 4/1957 Leavin A45D 40/264
 15/184
 D189,266 S * 11/1960 Harris D4/116
 3,002,517 A * 10/1961 Pitton A45D 34/042
 222/327
 D250,436 S * 12/1978 Johnson D32/42
 D286,468 S * 11/1986 Fuchs D4/114
 4,624,594 A 11/1986 Sasaki et al.
 D289,109 S * 4/1987 Buecheler D4/114
 D292,672 S * 11/1987 Duell D28/7
 4,732,503 A 3/1988 Bader et al.
 D296,763 S * 7/1988 Holmstadt 401/288
 D299,974 S * 2/1989 Schmitt 401/208
 4,875,791 A 10/1989 Hassan
 D314,280 S * 2/1991 Buecheler D4/114
 D317,832 S * 7/1991 Demarest D4/114
 D317,987 S * 7/1991 Demarest D9/529
 D320,310 S * 10/1991 Kuhn D4/114
 5,123,766 A 6/1992 Babiak
 5,242,234 A 9/1993 Ahrens
 5,496,123 A 3/1996 Gaither
 D374,741 S * 10/1996 Devereaux D28/7
 5,636,931 A 6/1997 Gueret
 5,697,918 A 12/1997 Fischer et al.
 5,803,640 A 9/1998 Nakajima et al.
 5,890,829 A 4/1999 Hesse
 D420,591 S * 2/2000 Nahum-Albright D9/454
 6,161,978 A 12/2000 Dovellos
 6,227,739 B1 5/2001 Kageyama
 6,283,660 B1 9/2001 Furlong et al.
 6,314,604 B1 * 11/2001 Ahlstrom A46B 17/00
 15/159.1
 6,435,751 B1 8/2002 Ono et al.

6,474,891 B1 11/2002 Liu
 6,488,429 B2 12/2002 Korper
 6,752,558 B1 6/2004 Hsu
 6,974,092 B1 12/2005 Leventhal
 7,182,538 B2 2/2007 Grosso et al.
 7,338,225 B1 3/2008 Taylor
 D574,617 S * 8/2008 Gamez D4/114
 7,416,080 B1 * 8/2008 Langer A45D 33/00
 206/15.2
 7,556,447 B2 7/2009 Bruggeman et al.
 7,682,098 B2 3/2010 Sandahl et al.
 7,854,562 B2 12/2010 Peterson et al.
 D651,409 S * 1/2012 Papenfu D4/121
 8,092,108 B2 1/2012 Bainbridge et al.
 8,152,399 B2 4/2012 Lasfargues et al.
 D658,389 S * 5/2012 Salgatar D4/135
 8,328,449 B2 12/2012 Wightman et al.
 8,740,489 B2 6/2014 Kageyama et al.
 8,905,666 B2 12/2014 Ooba
 9,161,604 B2 10/2015 Nakamura et al.
 D778,069 S * 2/2017 Lim D4/138
 D810,368 S * 2/2018 Kessler D32/25
 D818,641 S * 5/2018 Wilson D28/7
 D833,156 S * 11/2018 Burditt D4/138
 2002/0127045 A1 9/2002 Cookfair et al.
 2005/0063766 A1 3/2005 Chen et al.
 2005/0072442 A1 4/2005 Licari et al.
 2005/0141949 A1 6/2005 Calabro
 2006/0243824 A1 11/2006 Juo
 2007/0248402 A1 10/2007 Chan
 2007/0280776 A1 12/2007 Castellana
 2009/0052971 A1 2/2009 Pires et al.
 2009/0297253 A1 12/2009 Yuu
 2013/0114990 A1 5/2013 Sandahl et al.
 2013/0171362 A1 7/2013 Wiener
 2015/0016860 A1 1/2015 Pierre
 2017/0217244 A1 8/2017 Fehlmann et al.
 2017/0361351 A1 * 12/2017 Wiener B05C 1/00

* cited by examiner

FIG. 1

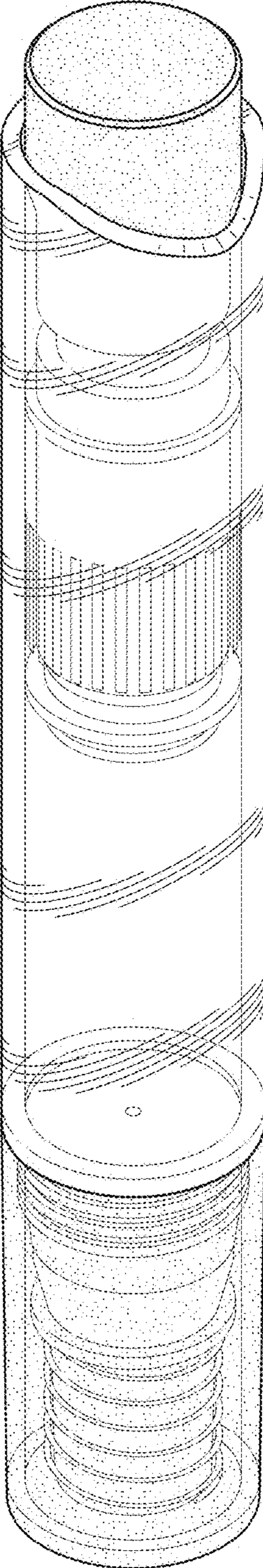


FIG. 2

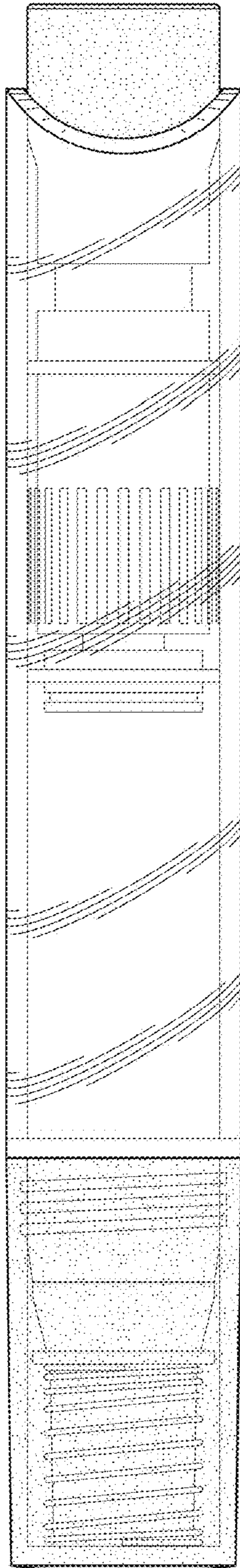


FIG. 3

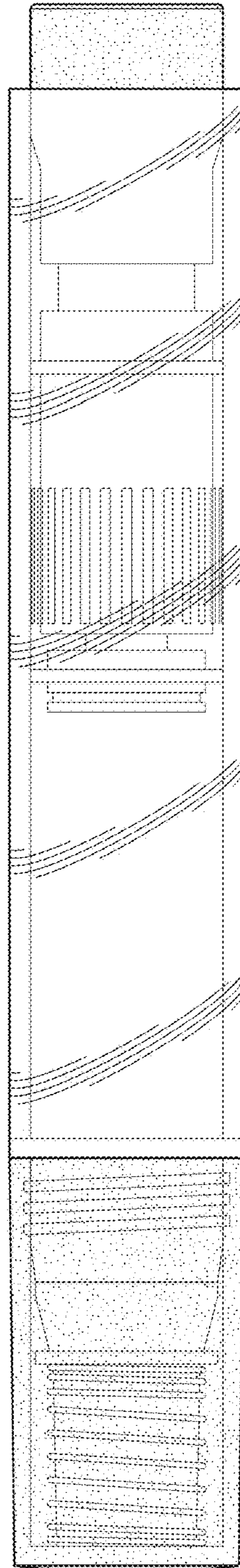


FIG. 4

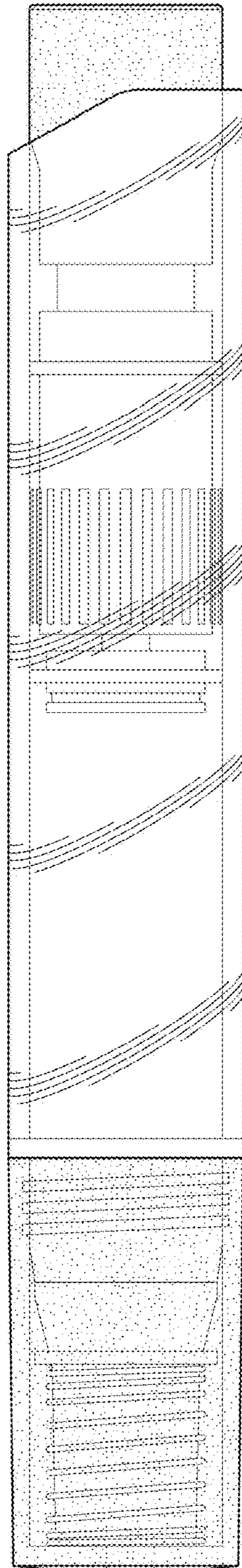


FIG. 5

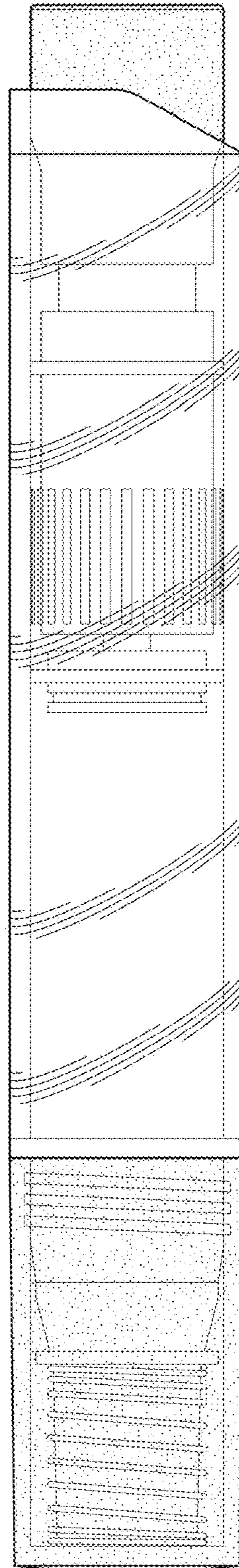


FIG. 6

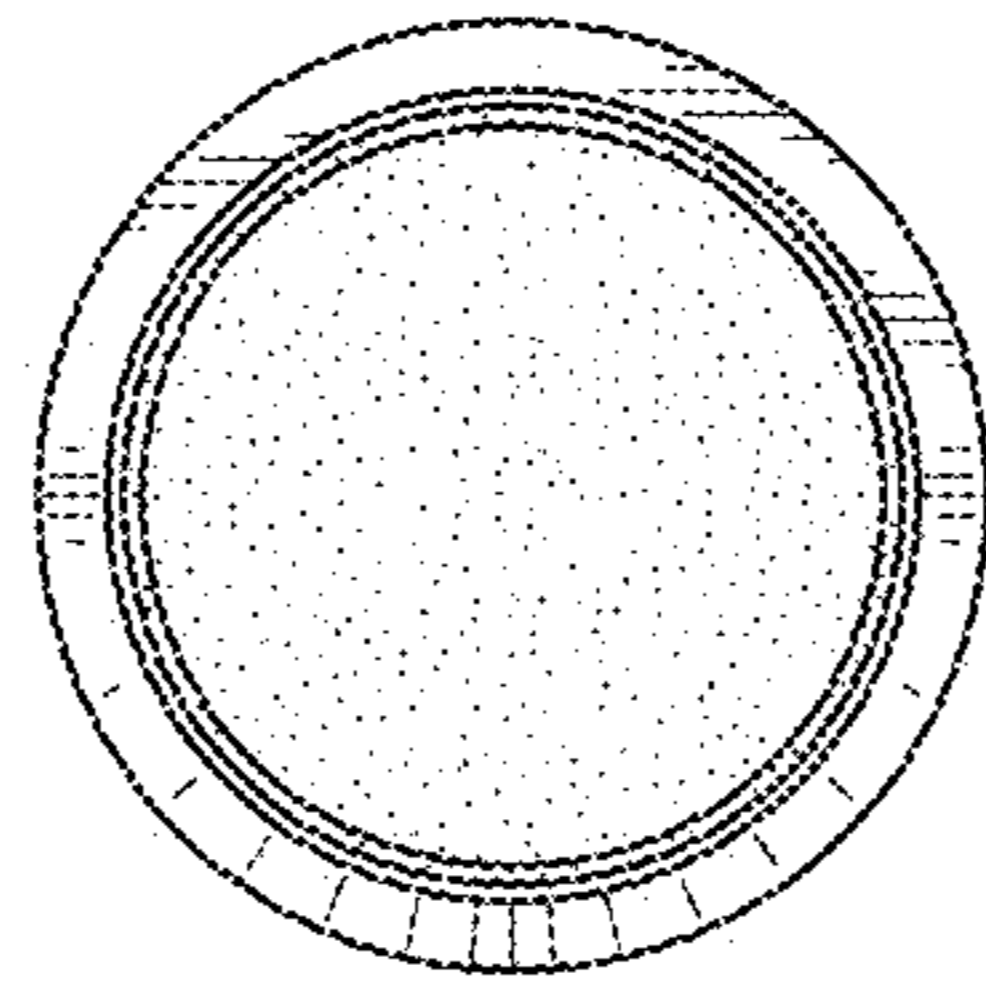


FIG. 7

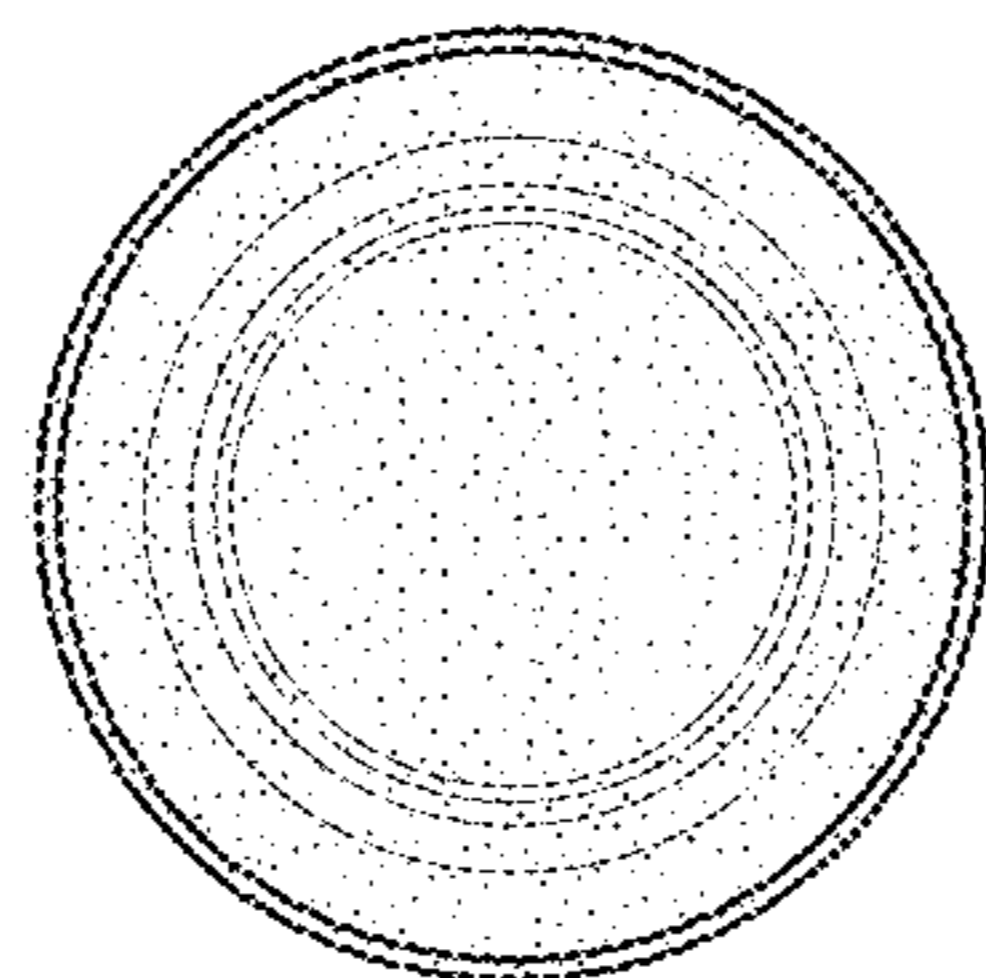


FIG. 8

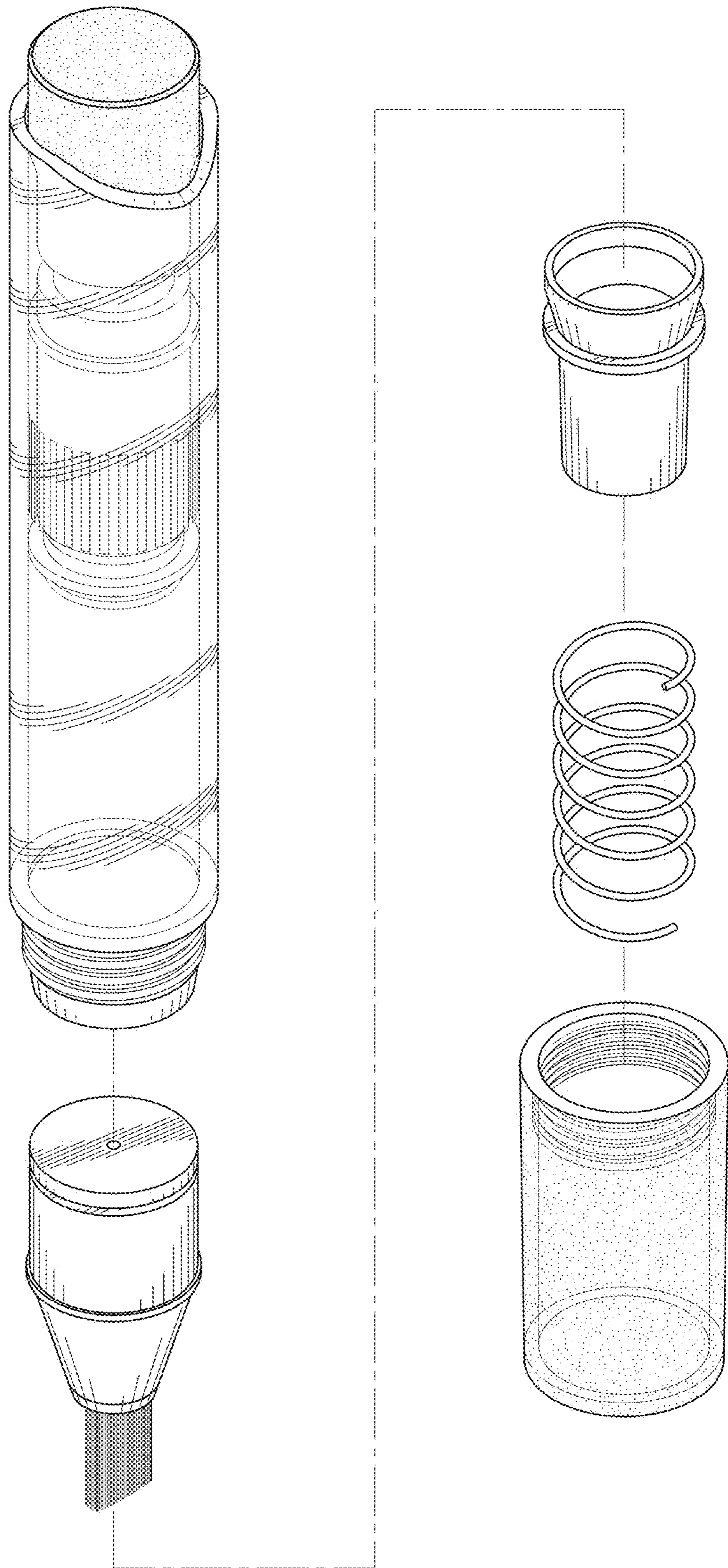


FIG. 9

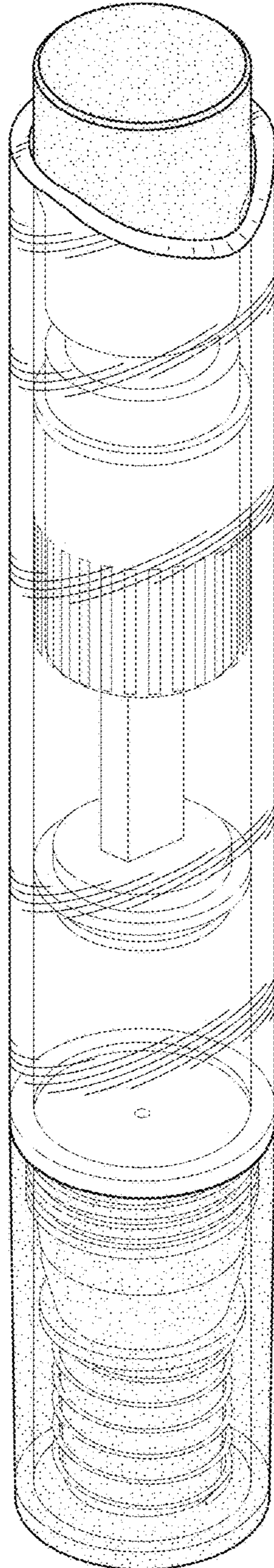


FIG. 10

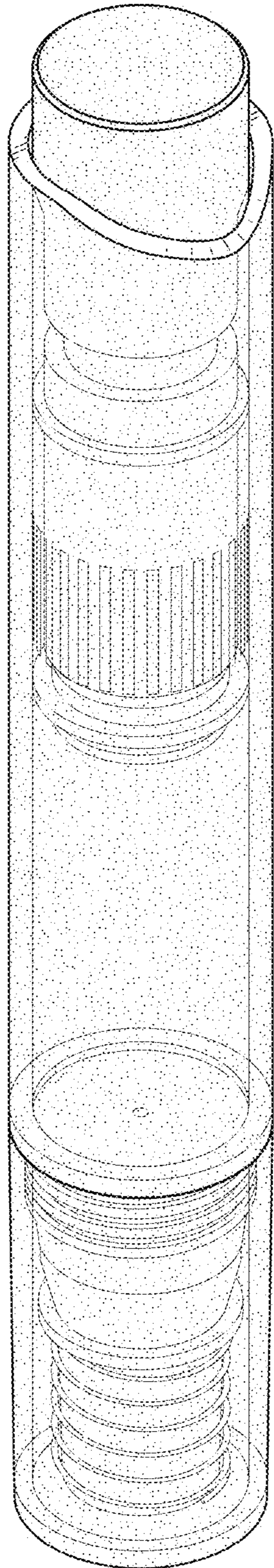


FIG. 11

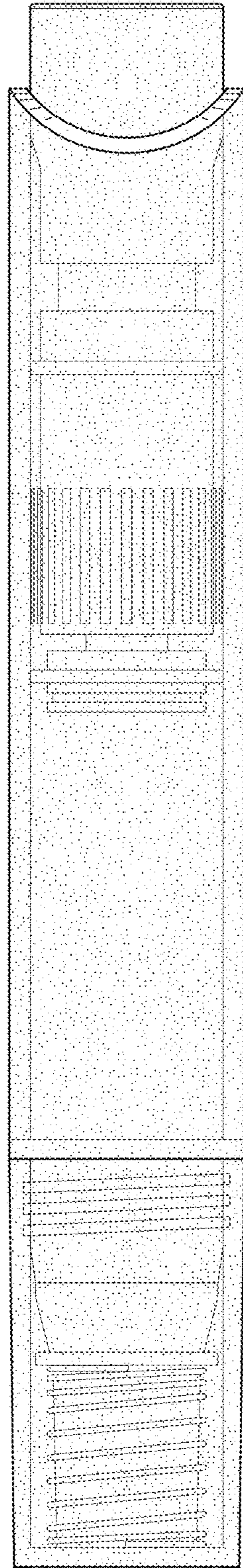


FIG. 12

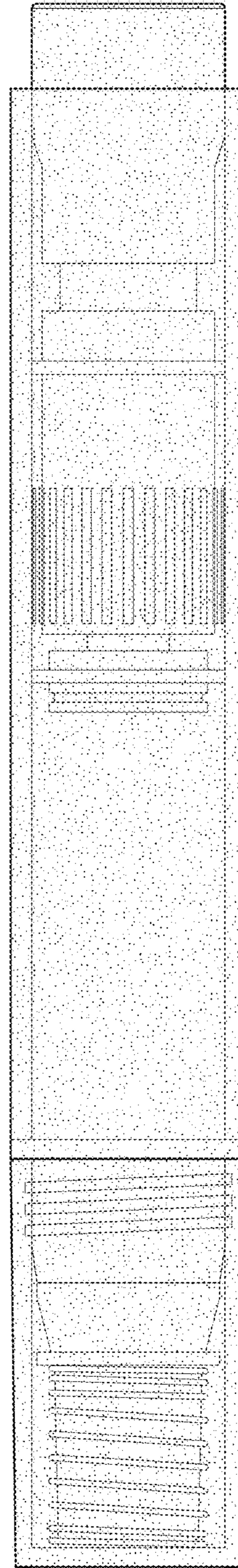


FIG. 13

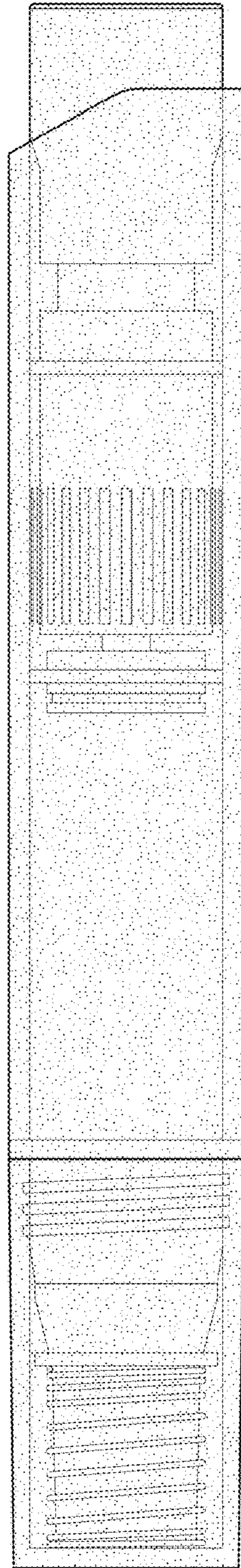


FIG. 14

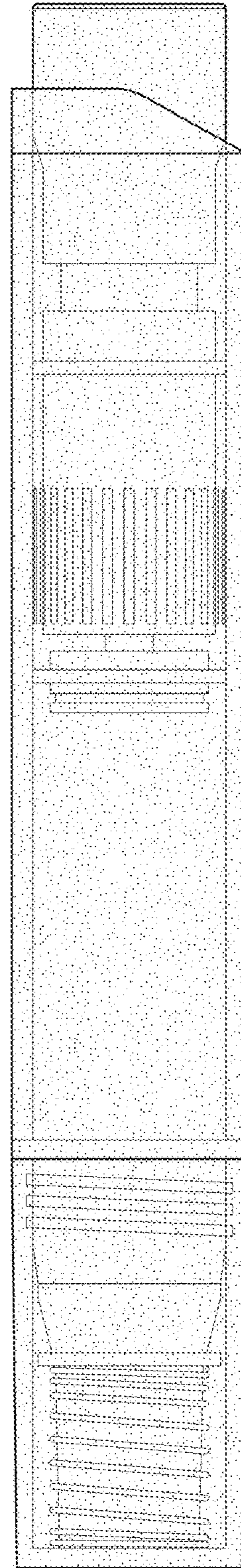


FIG. 15

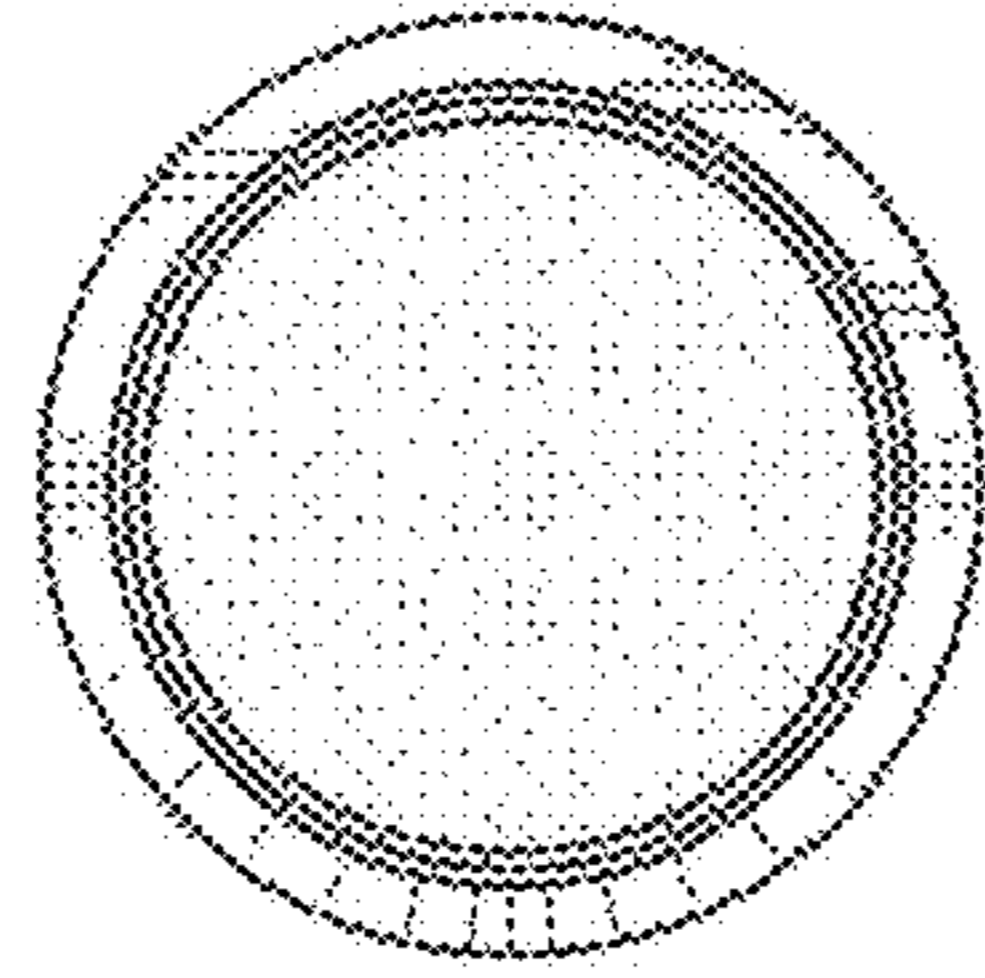


FIG. 16

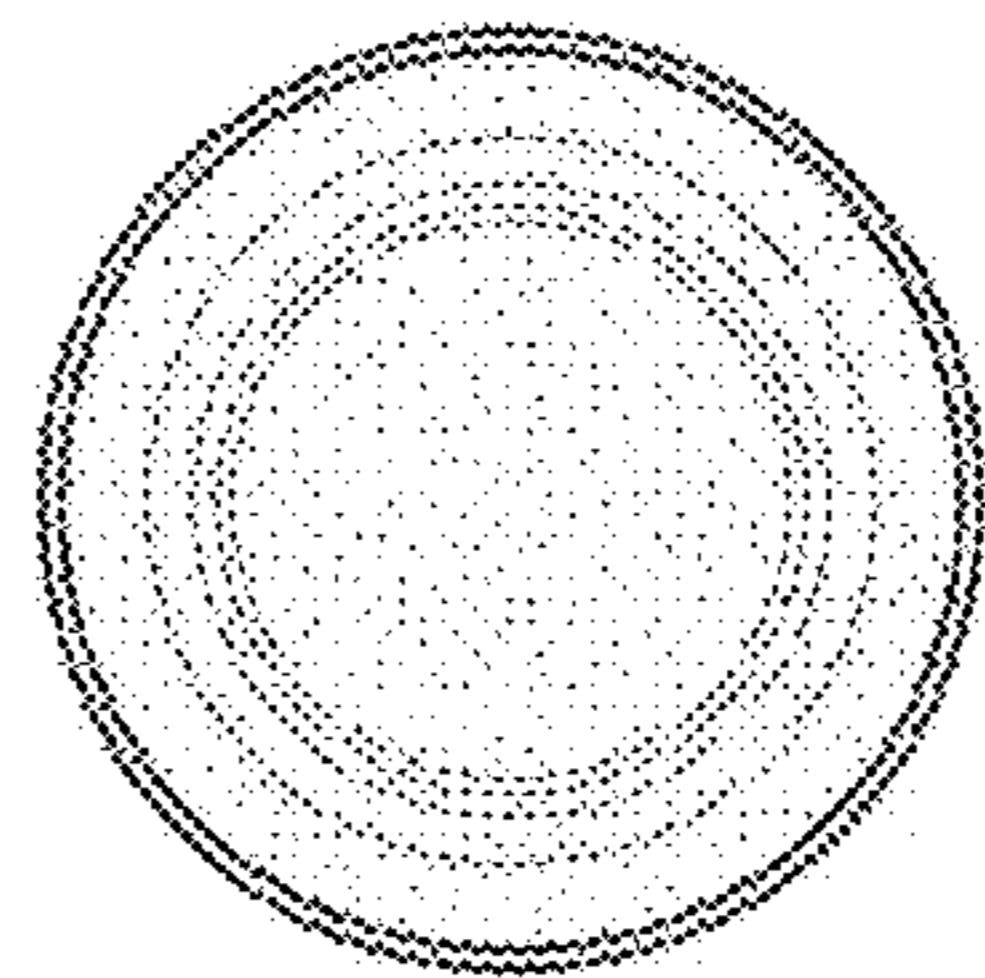


FIG. 17

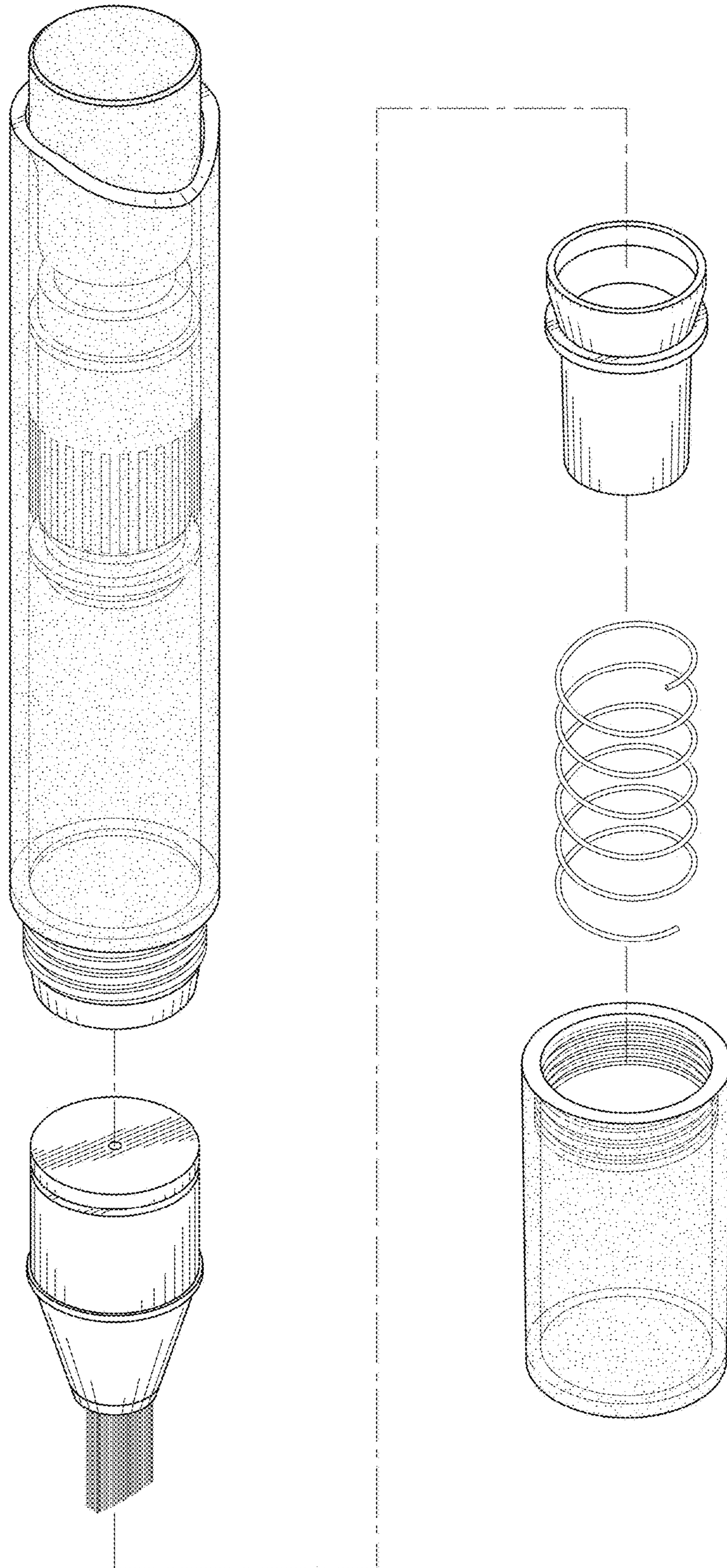
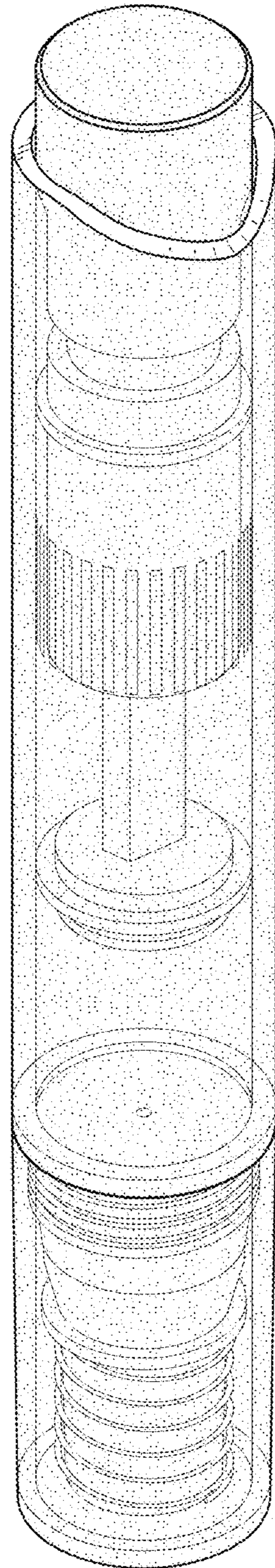


FIG. 18



UNITED STATES PATENT AND TRADEMARK OFFICE
CERTIFICATE OF CORRECTION

PATENT NO. : D844,998 S
APPLICATION NO. : 29/640796
DATED : April 9, 2019
INVENTOR(S) : Deborah Wiener

Page 1 of 3

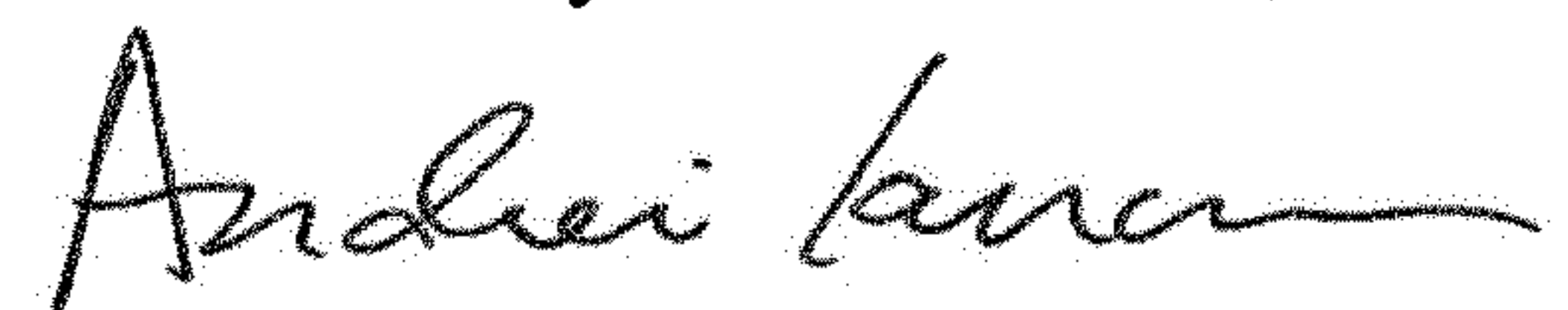
It is certified that error appears in the above-identified patent and that said Letters Patent is hereby corrected as shown below:

In the Drawings

Drawing Sheet 3, Fig. 5, the figure should appear as shown on the attached sheet.

Drawing Sheet 9, Fig. 14, the figure should appear as shown on the attached sheet.

Signed and Sealed this
Twelfth Day of November, 2019



Andrei Iancu
Director of the United States Patent and Trademark Office

FIG. 5

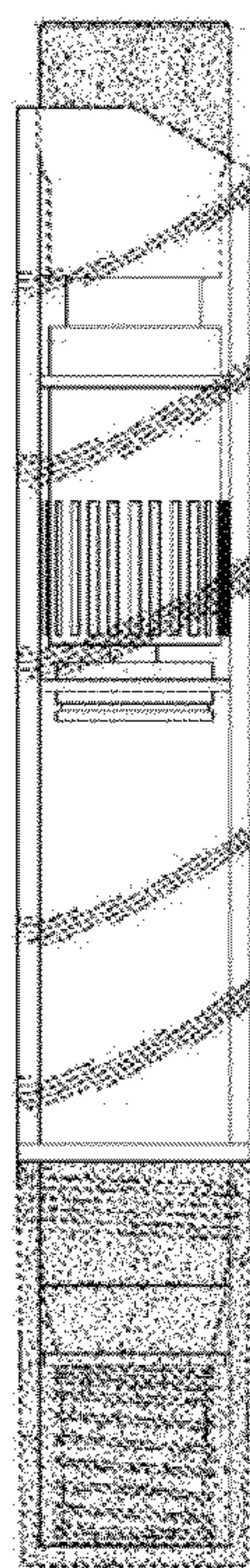


FIG. 14

