

US00D844996S

(12) **United States Design Patent** (10) **Patent No.:** **US D844,996 S**
Kymm et al. (45) **Date of Patent:** **** Apr. 9, 2019**

(54) **SKIN TREATMENT APPARATUS** 7,572,238 B2 * 8/2009 Rhoades A45D 34/041
601/138

(71) Applicant: **LG ELECTRONICS INC., Seoul (KR)** D728,241 S * 5/2015 Helmbold D4/102
D728,242 S * 5/2015 Kim D4/102
D750,893 S * 3/2016 Owen D4/100

(72) Inventors: **Sangwook Kymm, Seoul (KR); Yeonjin Kim, Seoul (KR); Seokkyu Kang, Seoul (KR); Yeojeong Choi, Seoul (KR); Gayeong Lee, Seoul (KR)** D753,400 S * 4/2016 Khoun D4/102
D764,806 S * 8/2016 Prat-Pfister D4/127
D781,588 S * 3/2017 Lee D4/102
D802,305 S * 11/2017 Grabes D4/102
D803,572 S * 11/2017 Nichols D4/102
D804,826 S * 12/2017 Kling D4/127
D805,305 S * 12/2017 Wang D4/100
D812,379 S * 3/2018 Ng D4/120
D816,344 S * 5/2018 Tai D4/100
D816,345 S * 5/2018 Tai D4/100
D818,272 S * 5/2018 Tai D4/100
D821,759 S * 7/2018 Szymanski D4/138
D825,188 S * 8/2018 Luo D4/101
D828,694 S * 9/2018 Woodard D4/102
D829,004 S * 9/2018 Cohen D4/102

(Continued)

(**) Term: **15 Years**

(21) Appl. No.: **35/504,312**

(22) Filed: **Jul. 7, 2017**

(80) **Hague Agreement Data**

Int. Filing Date: **Jul. 7, 2017**
Int. Reg. No.: **DM/097484**
Int. Reg. Date: **Jul. 7, 2017**
Int. Reg. Pub. Date: **Jan. 12, 2018**

Primary Examiner — Rhea Shields
(74) *Attorney, Agent, or Firm* — Birch, Stewart, Kolasch & Birch, LLP

(30) **Foreign Application Priority Data**

Jan. 10, 2017 (KR) 30-2017-0001515

(51) **LOC (11) Cl.** **04-02**

(52) **U.S. Cl.**
USPC **D4/102**

(58) **Field of Classification Search**
USPC D4/102, 127, 101, 100, 138, 120;
606/131; 601/138
CPC ... A45D 34/04; A45D 34/041; A61H 23/0263
See application file for complete search history.

(56) **References Cited**

U.S. PATENT DOCUMENTS

6,692,505 B1 * 2/2004 Maier A45D 34/04
606/131
7,282,036 B2 * 10/2007 Masuda A61H 23/0263
601/138

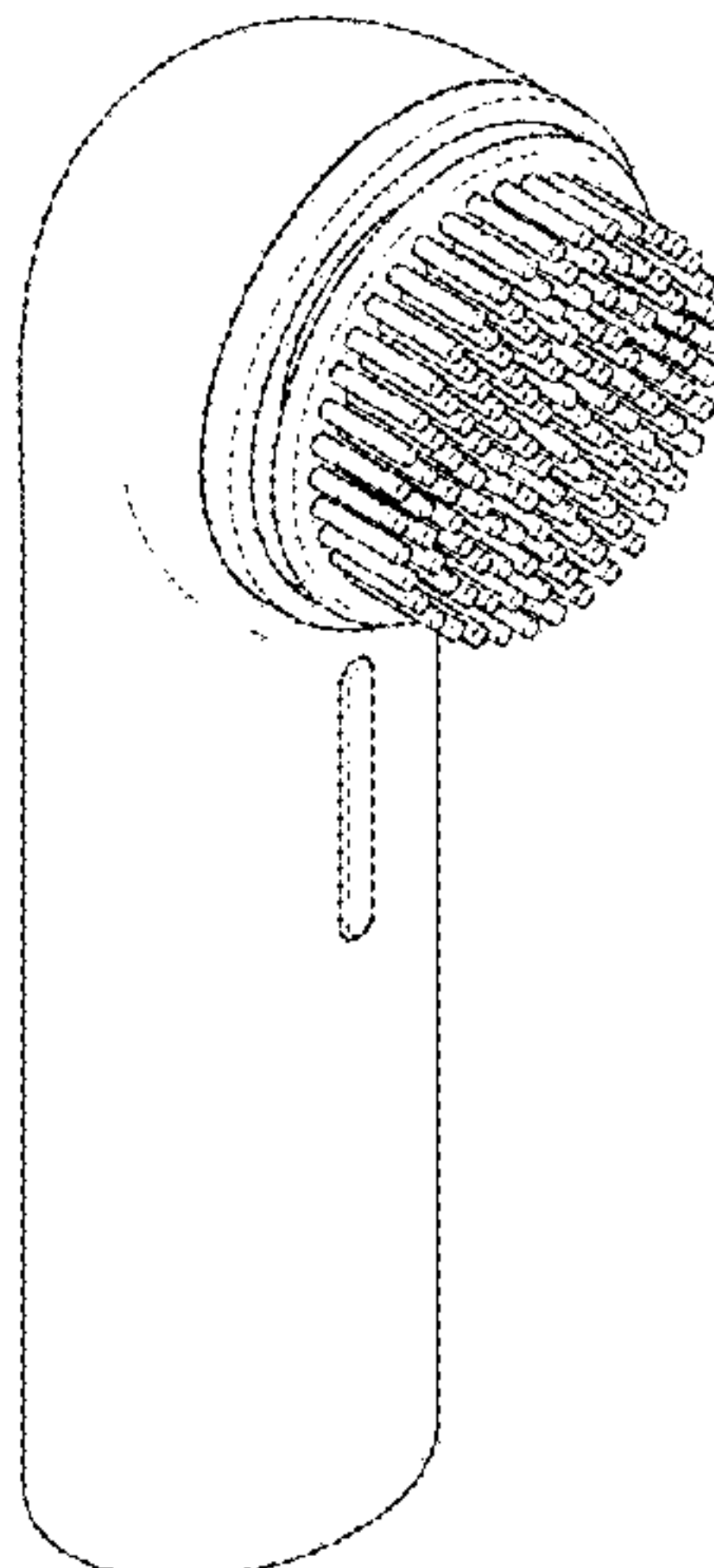
(57) **CLAIM**

The ornamental design for a skin treatment apparatus, as shown and described.

DESCRIPTION

- 1. Skin treatment apparatus
- 1.1 : Perspective
- 1.2 : Front
- 1.3 : Back
- 1.4 : Left
- 1.5 : Right
- 1.6 : Top
- 1.7 : Bottom
- 1.8 : Reference

1 Claim, 8 Drawing Sheets



(56)

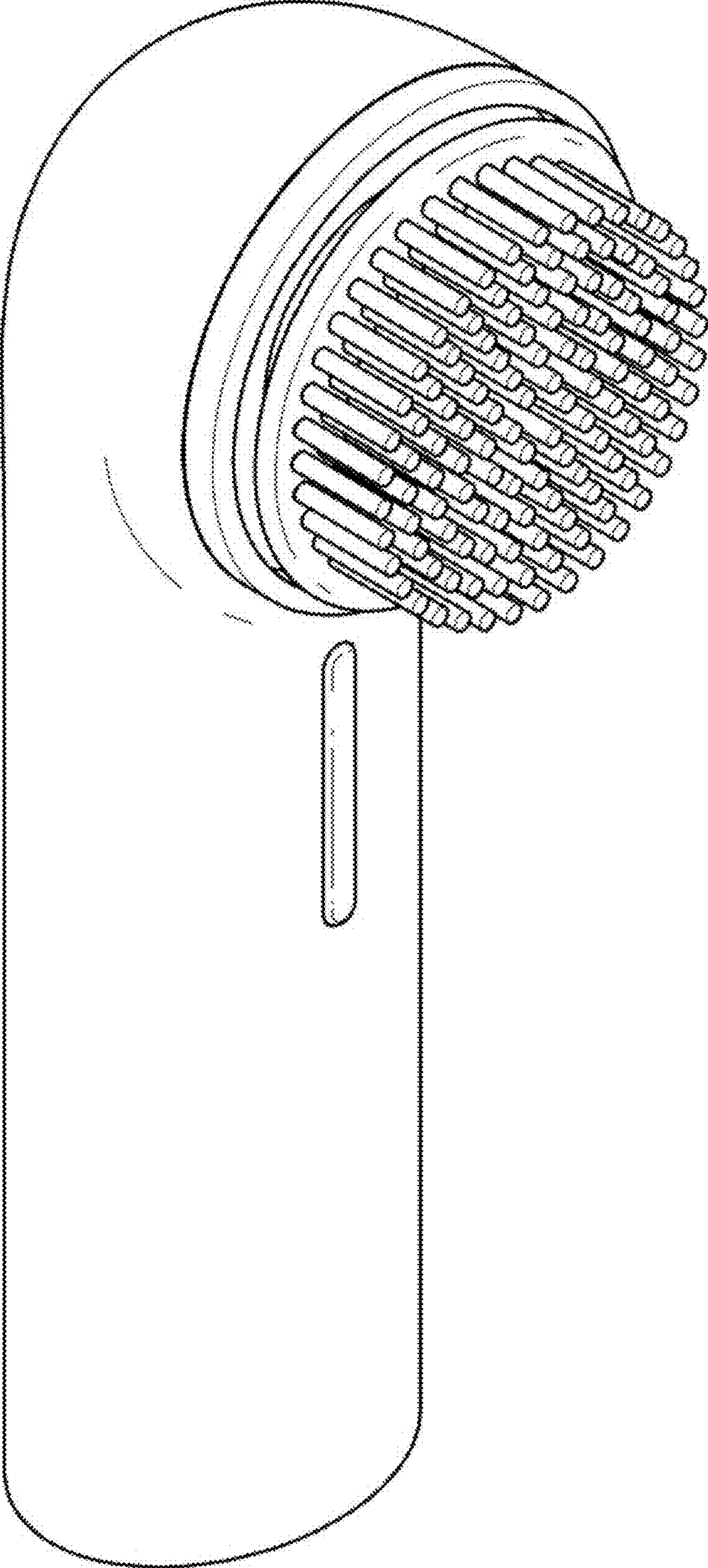
References Cited

U.S. PATENT DOCUMENTS

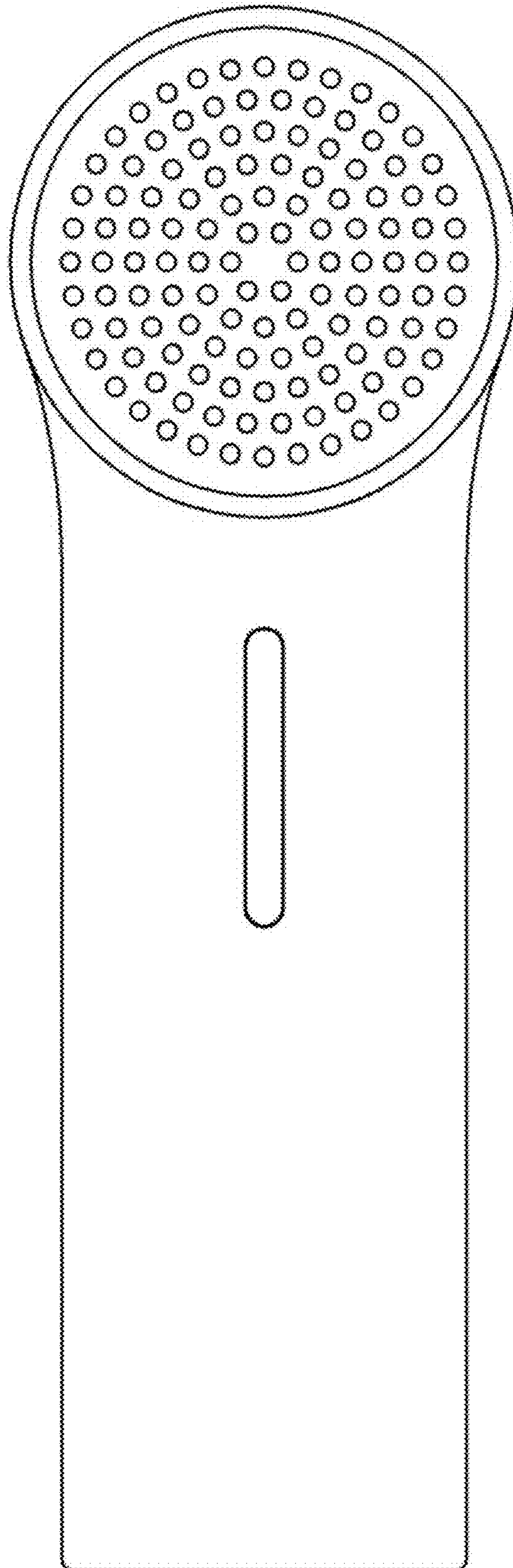
D830,699 S * 10/2018 Liu D4/101
D830,700 S * 10/2018 Xue D4/102

* cited by examiner

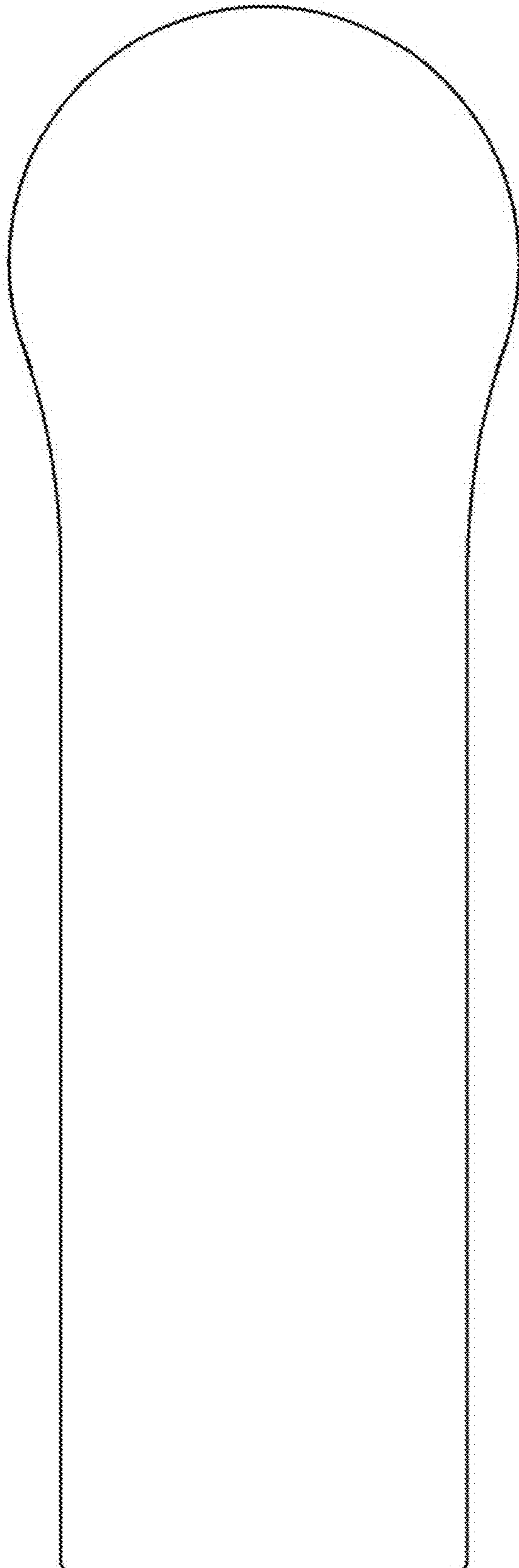
1.1



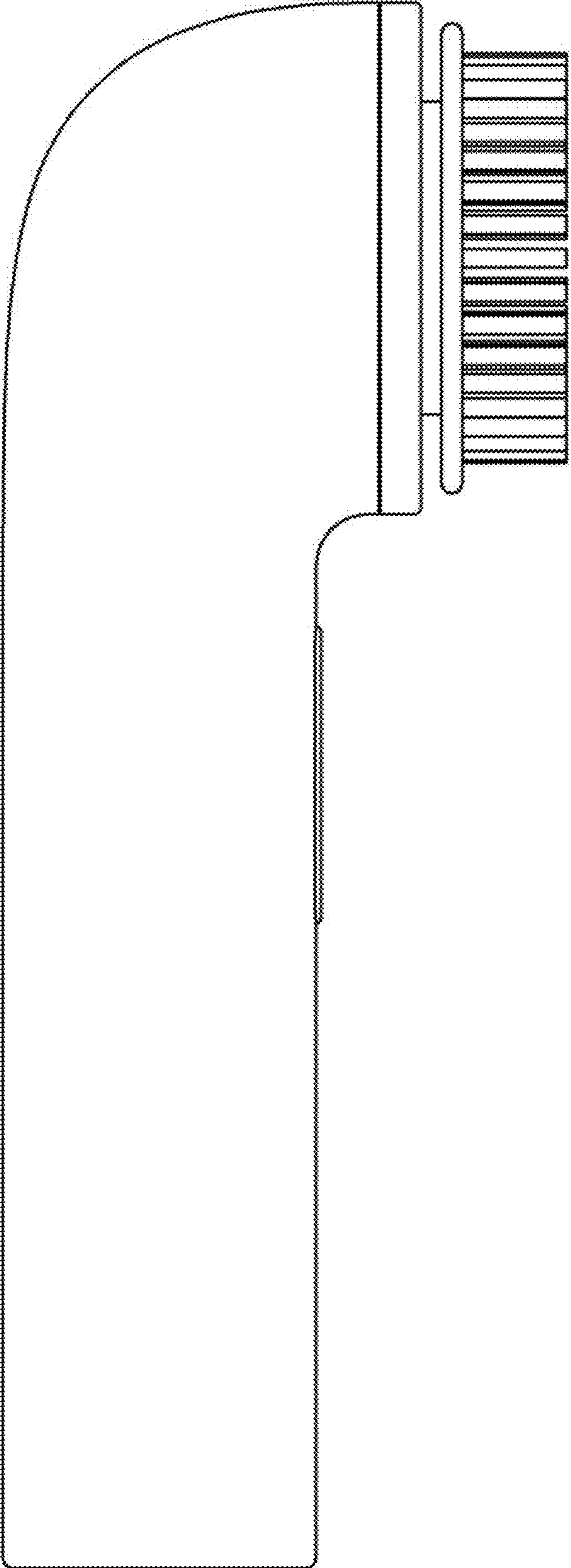
1.2



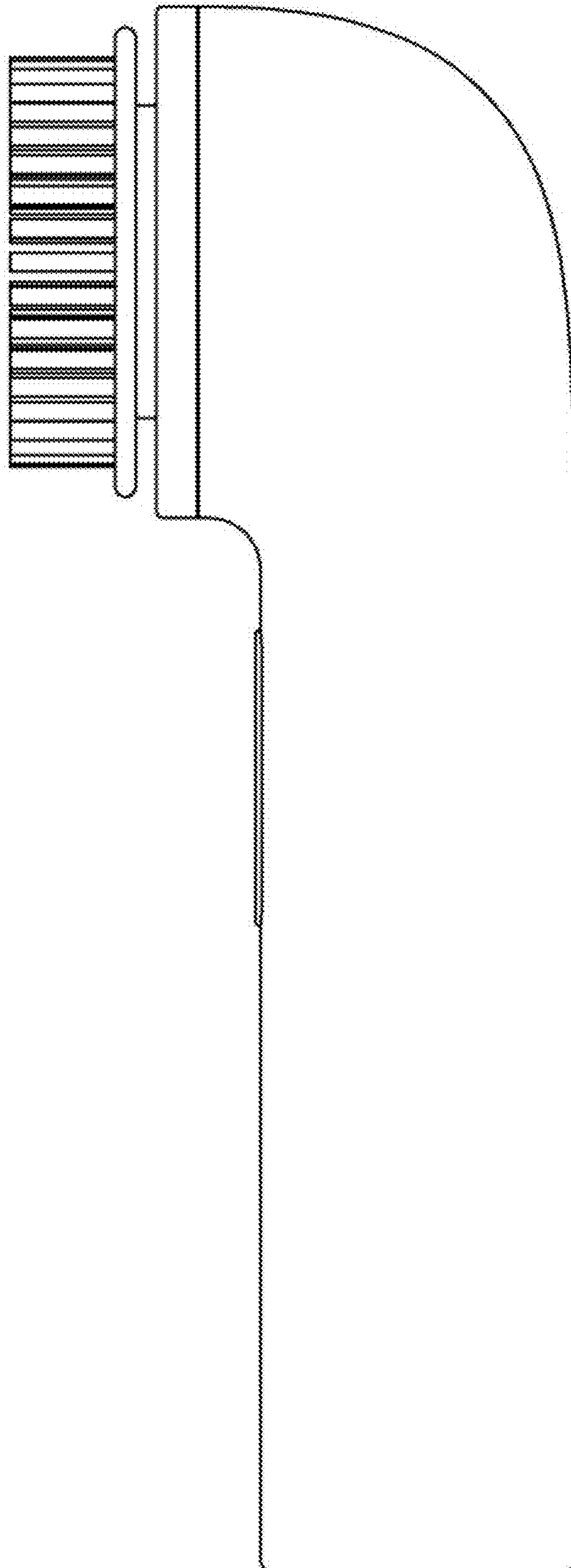
1.3



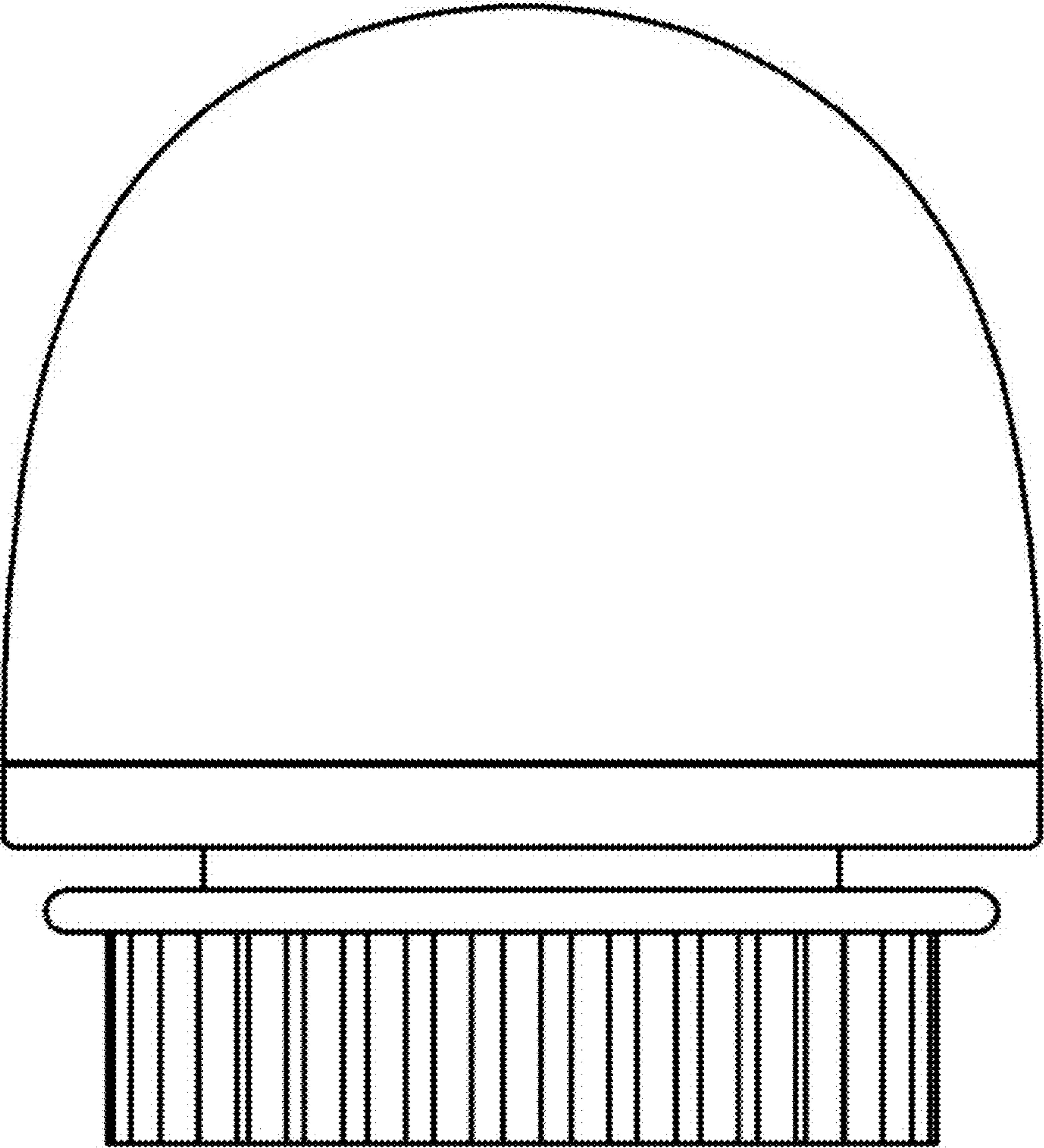
1.4



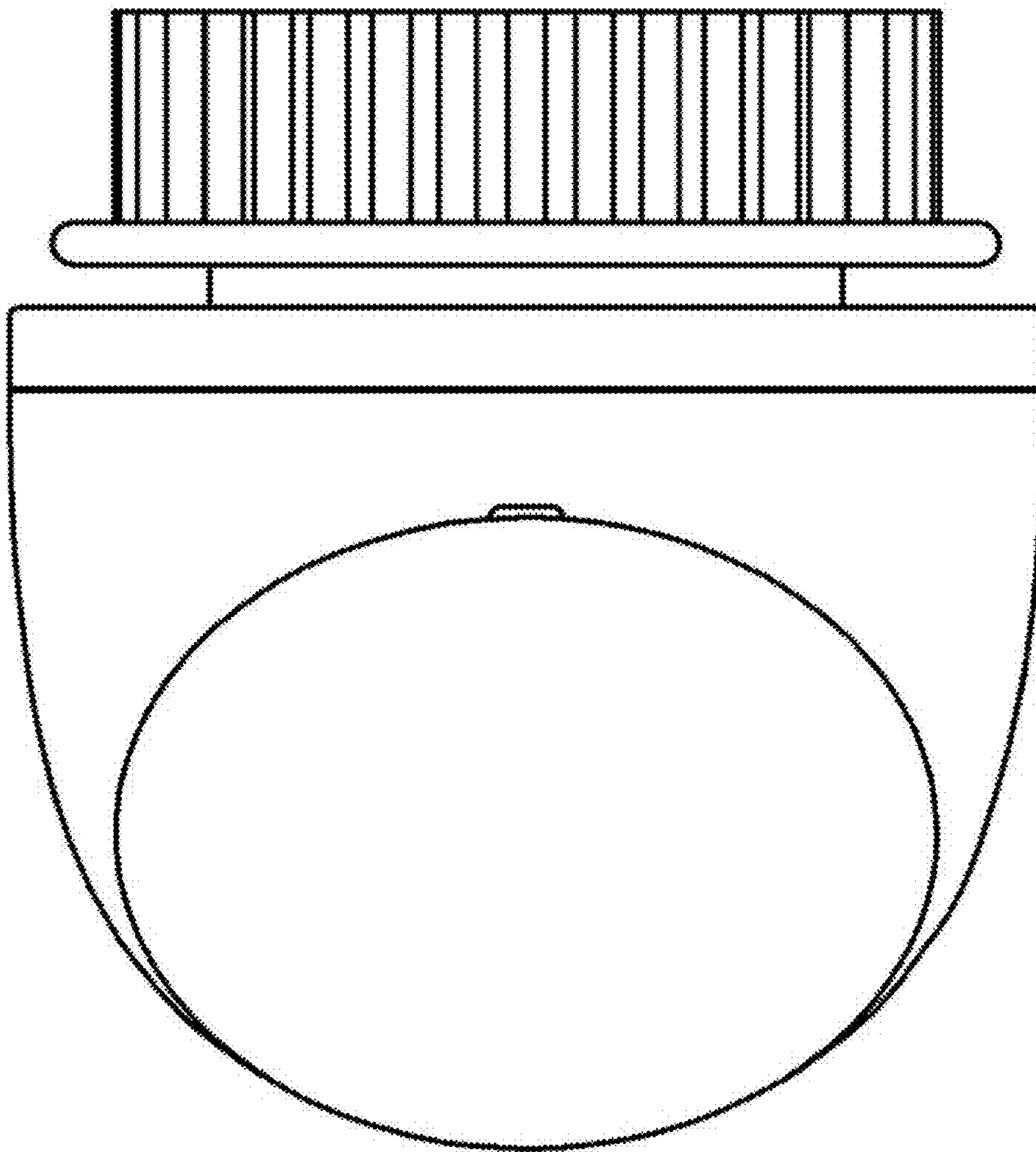
1.5



1.6



1.7



1.8

