



US00D844994S

(12) **United States Design Patent**  
**Pacha**

(10) **Patent No.:** **US D844,994 S**

(45) **Date of Patent:** **\*\* Apr. 9, 2019**

(54) **BAG STRAP CONNECTOR**

*Primary Examiner* — Holly H Baynham

(71) Applicant: **Parsons Xtreme Golf, LLC**,  
Scottsdale, AZ (US)

(72) Inventor: **Duane E. Pacha**, Chandler, AZ (US)

(73) Assignee: **PARSONS XTREME GOLF, LLC**,  
Scottsdale, AZ (US)

(\*\*) Term: **15 Years**

(21) Appl. No.: **29/634,924**

(22) Filed: **Jan. 25, 2018**

**Related U.S. Application Data**

(63) Continuation-in-part of application No. 29/612,038,  
filed on Jul. 27, 2017, now abandoned.

(51) **LOC (11) Cl.** ..... **03-01**

(52) **U.S. Cl.**  
USPC ..... **D3/327; D3/318**

(58) **Field of Classification Search**  
USPC ..... **D3/318, 327**  
CPC ... **A45F 3/04; A45F 5/10; A63B 55/00; A44C**  
**13/10; A45C 13/10**  
See application file for complete search history.

(56) **References Cited**

**U.S. PATENT DOCUMENTS**

6,152,342	A *	11/2000	Suk	.....	A63B 55/408
					224/259
D522,244	S *	6/2006	Toler	.....	D3/318
7,131,534	B2 *	11/2006	Enes	.....	A45F 3/14
					206/315.3
8,186,549	B2 *	5/2012	Campbell	.....	A63B 55/00
					224/576
8,322,585	B2 *	12/2012	Herron	.....	A45C 11/00
					224/576
2012/0267410	A1	10/2012	Loudenslager et al.		
2015/0136825	A1	5/2015	Kalck et al.		

\* cited by examiner

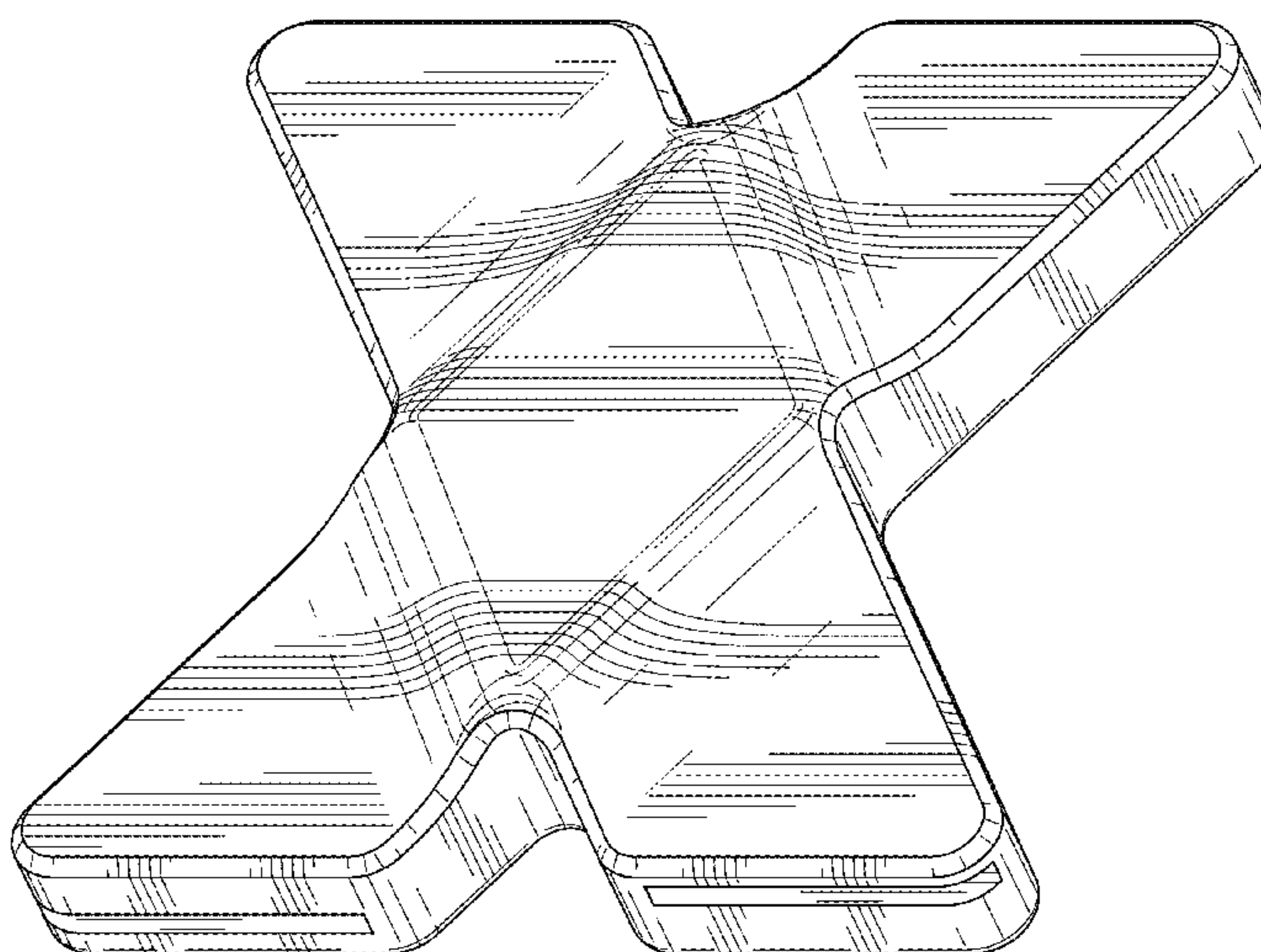
(57) **CLAIM**

The ornamental design for a bag strap connector, as shown and described.

**DESCRIPTION**

FIG. 1 is a top perspective view of the first embodiment of a bag strap connector;  
 FIG. 2 is a front elevational view of the bag strap connector of FIG. 1;  
 FIG. 3 is a rear elevational view of the bag strap connector of FIG. 1;  
 FIG. 4 is a top view of the bag strap connector of FIG. 1;  
 FIG. 5 is a bottom view of the bag strap connector of FIG. 1;  
 FIG. 6 is a right side view of the bag strap connector of FIG. 1;  
 FIG. 7 is a left side view of the bag strap connector of FIG. 1;  
 FIG. 8 is a top perspective view of a second embodiment of the bag strap connector shown in FIG. 1;  
 FIG. 9 is a front elevational view of the bag strap connector of FIG. 8;  
 FIG. 10 is a rear elevational view of the bag strap connector of FIG. 8;  
 FIG. 11 is a top view of the bag strap connector of FIG. 8;  
 FIG. 12 is a bottom view of the bag strap connector of FIG. 8;  
 FIG. 13 is a right side view of the bag strap connector of FIG. 8; and,  
 FIG. 14 is a left side view of the bag strap connector of FIG. 8.  
 The broken lines are included for the purpose of illustration only. None of the broken lines forms part of the claimed design.

**1 Claim, 10 Drawing Sheets**



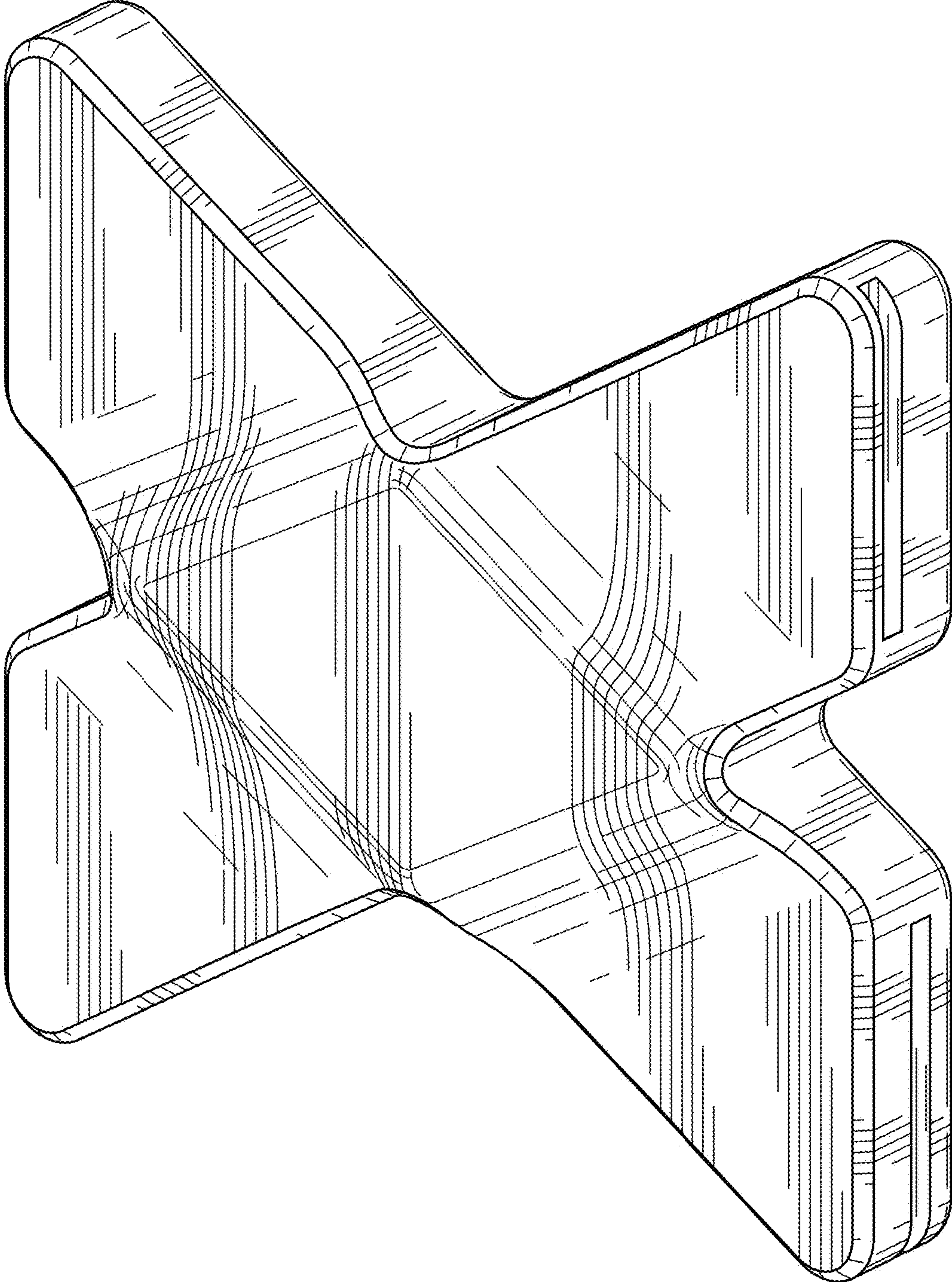


FIG. 1

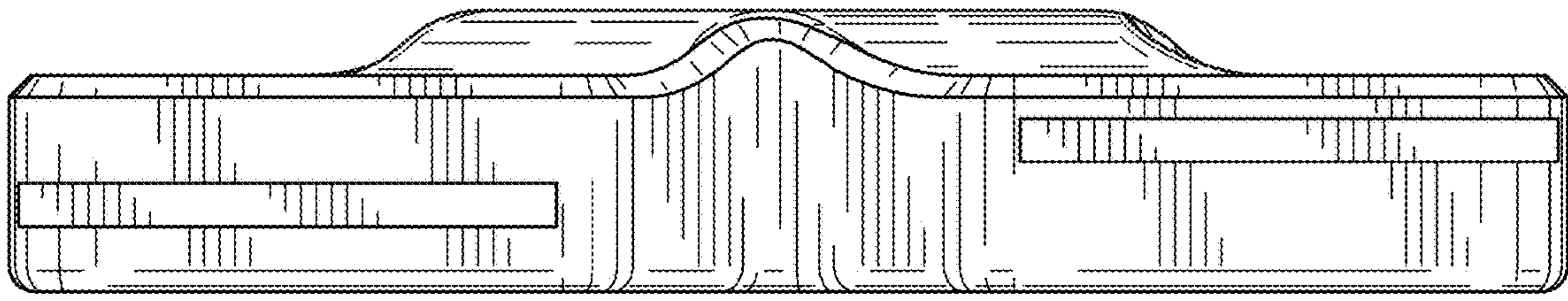


FIG. 2

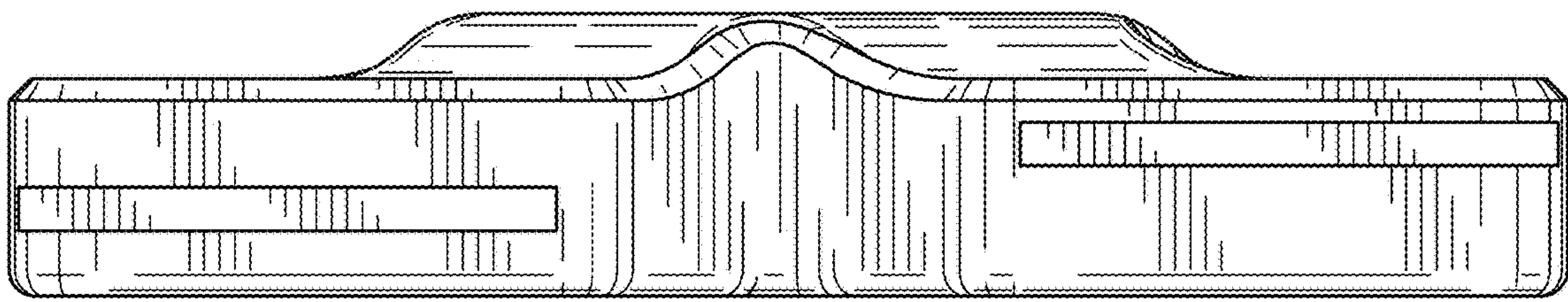


FIG. 3



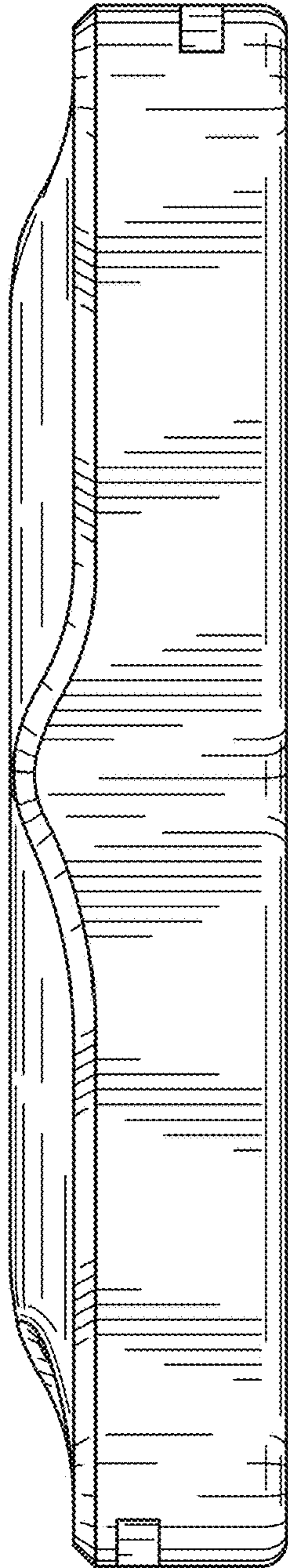


FIG. 4

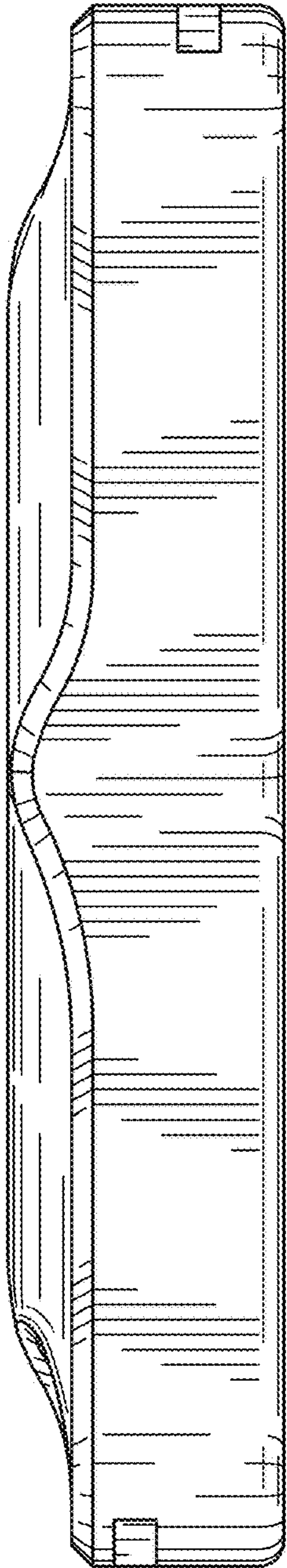


FIG. 5

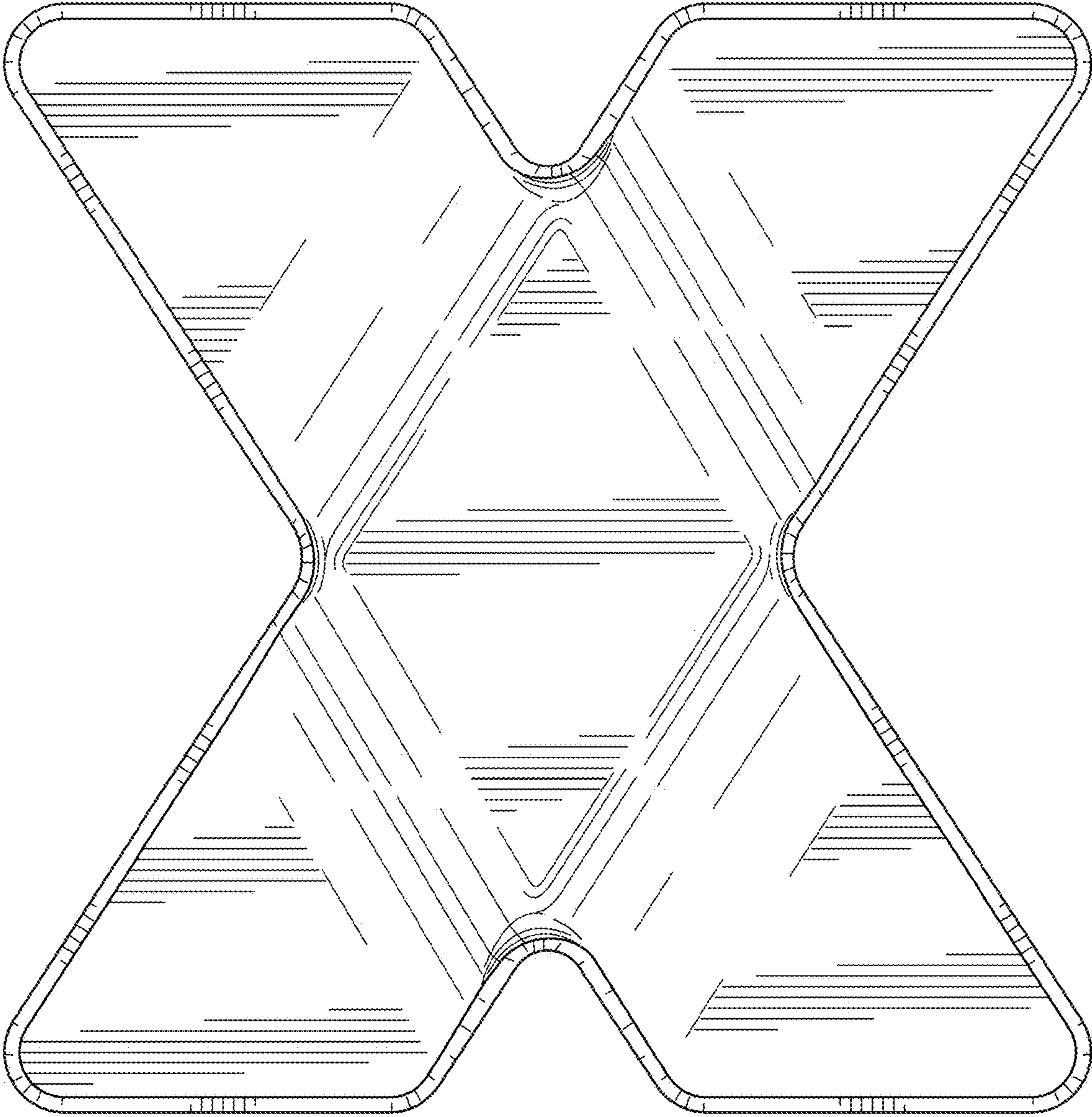


FIG. 6

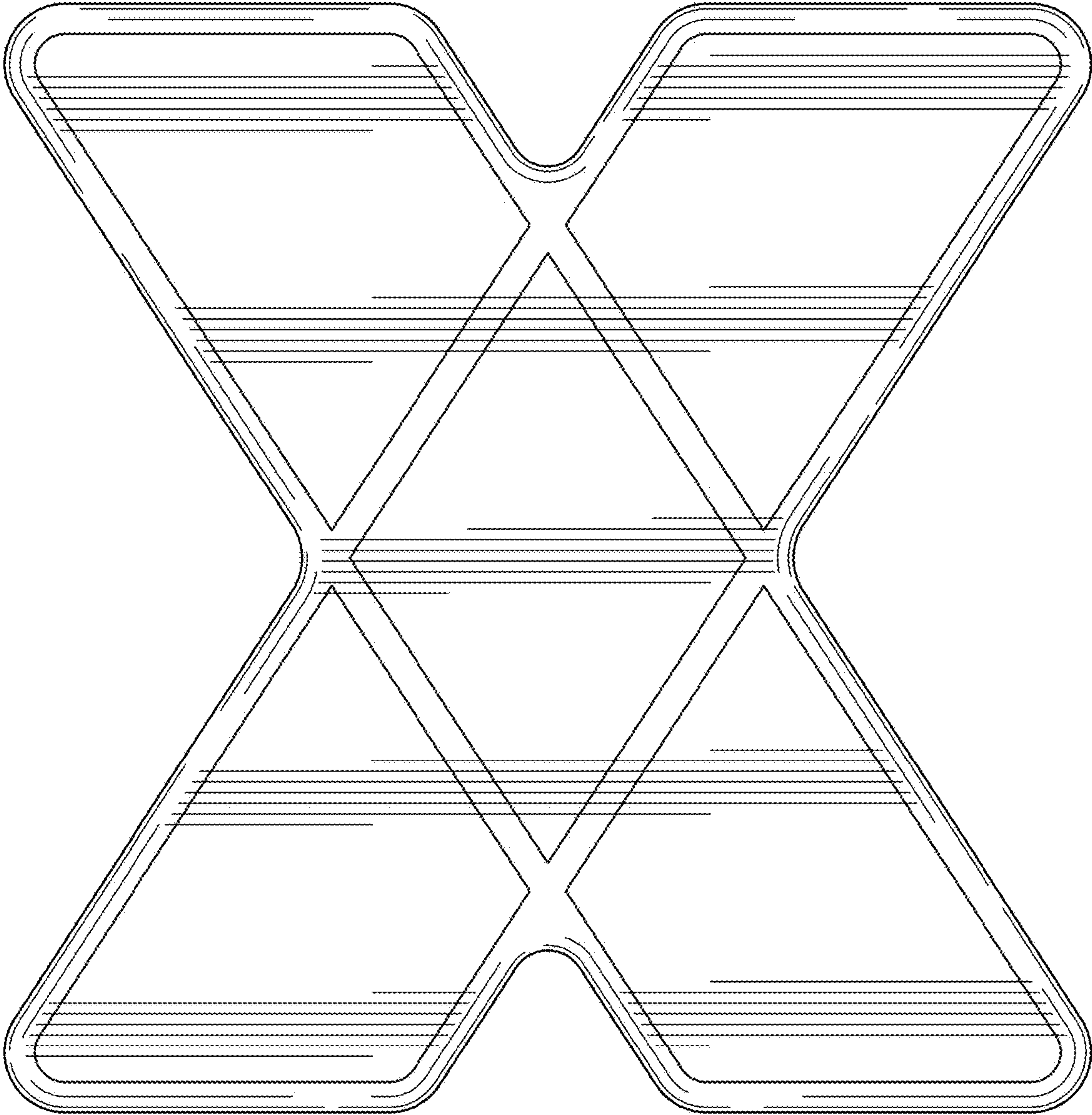


FIG. 7



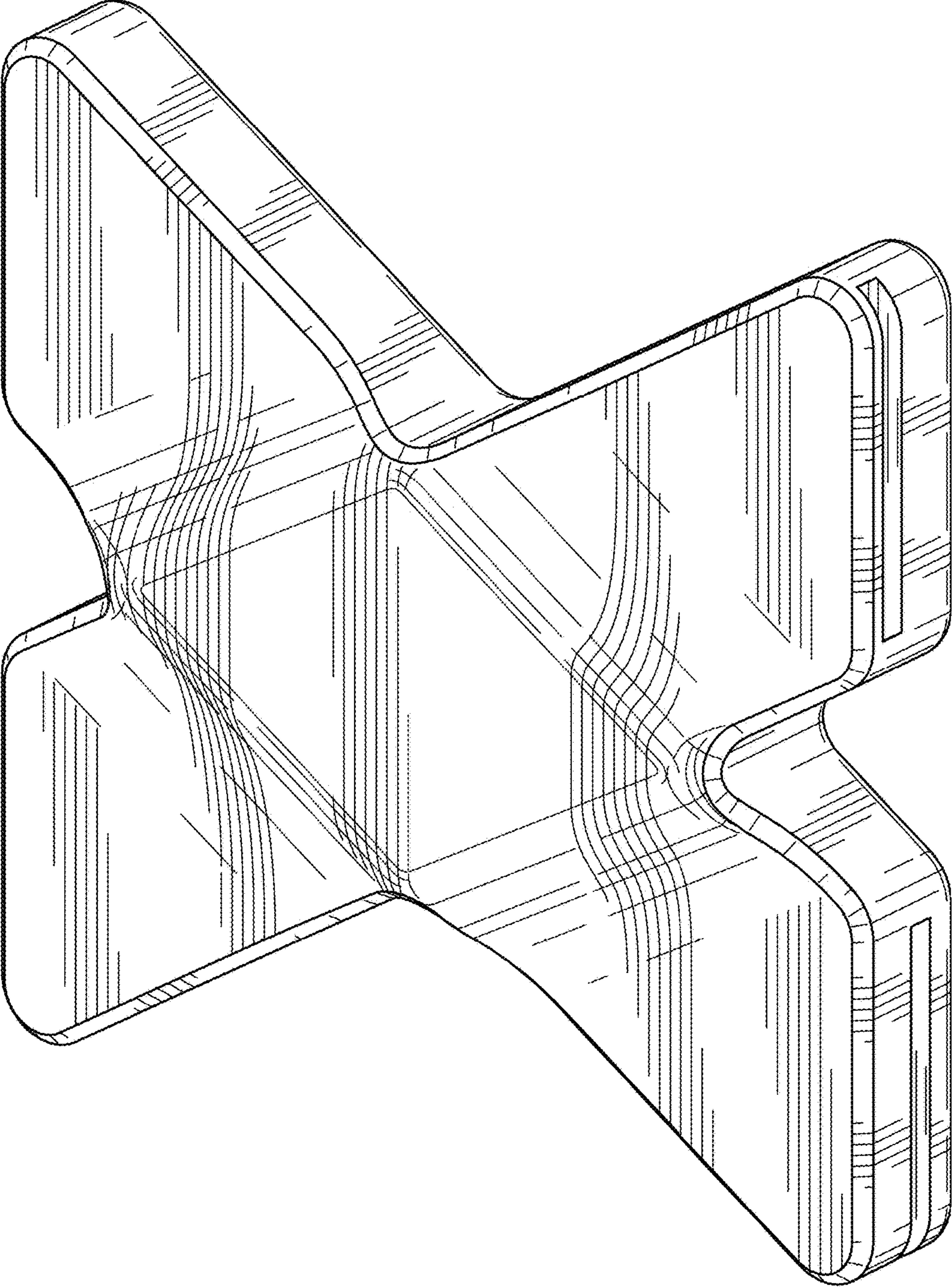


FIG. 8

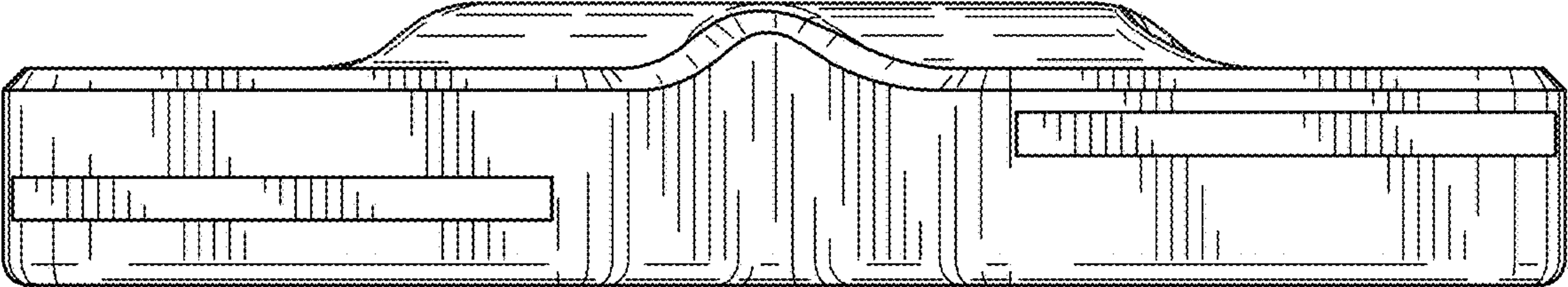


FIG. 9

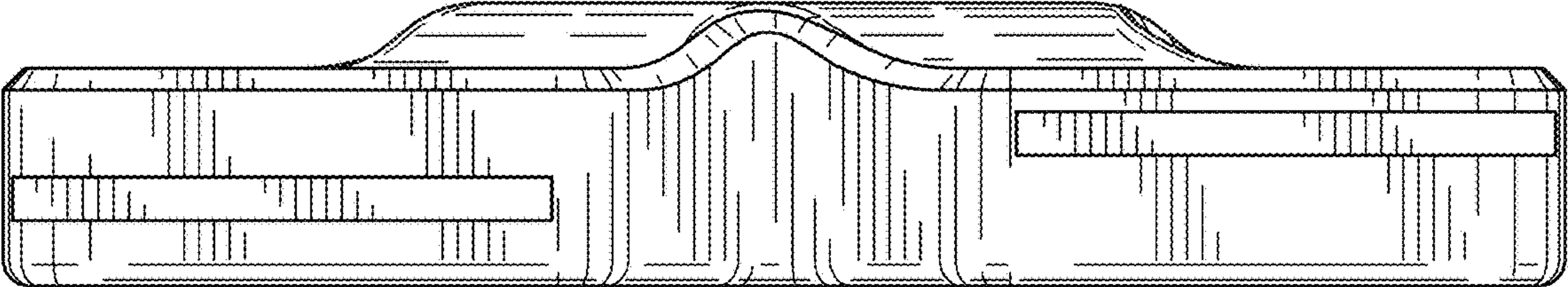


FIG. 10



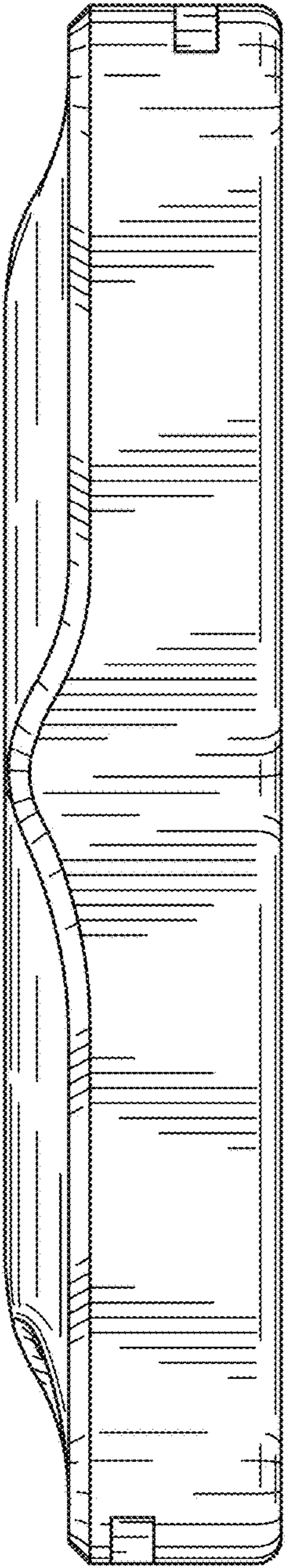


FIG. 11

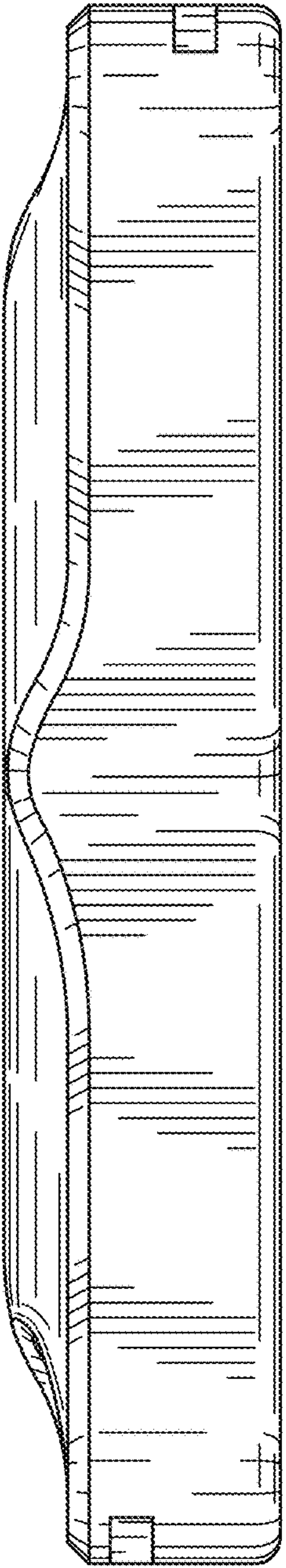


FIG. 12

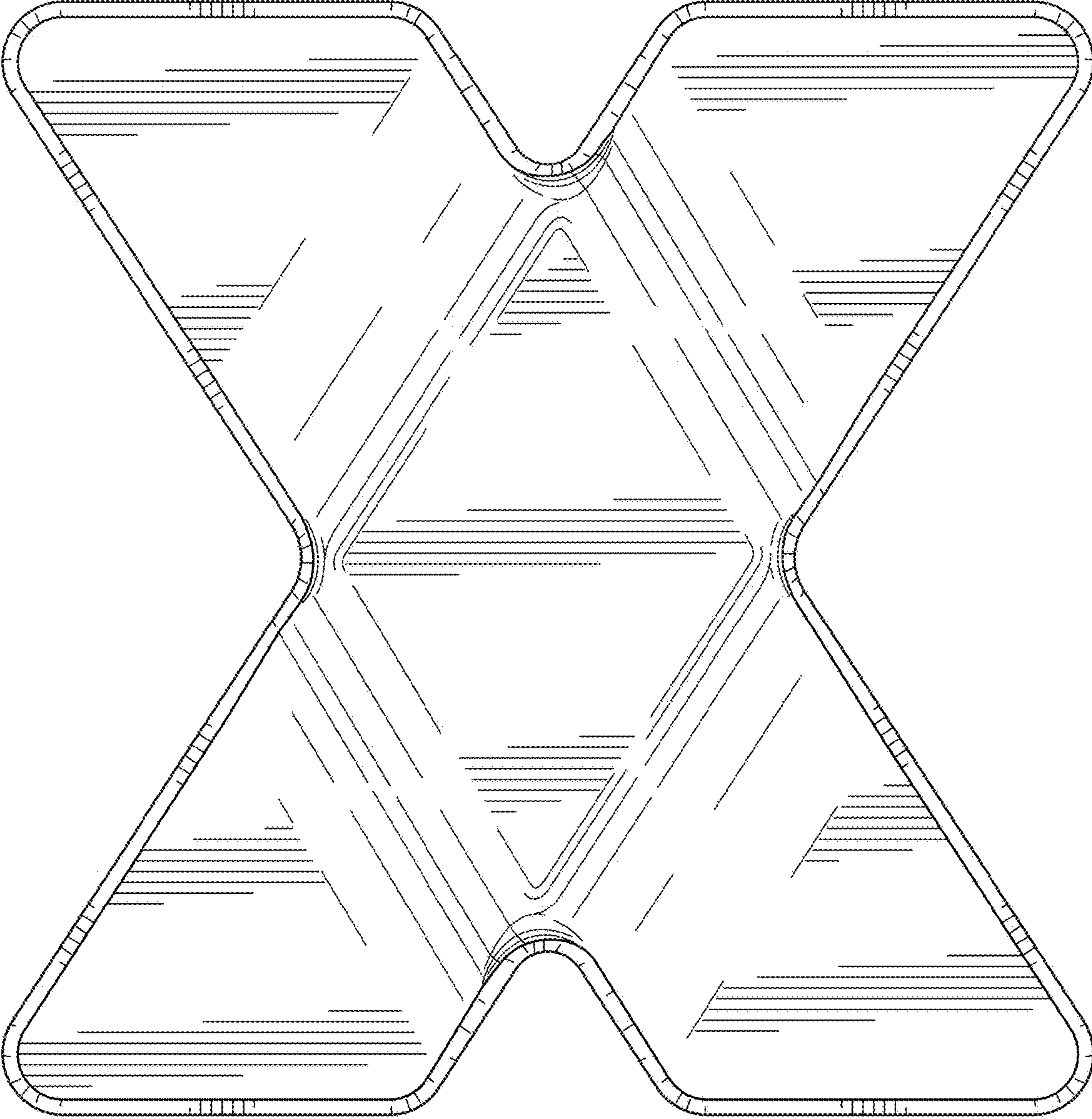


FIG. 13

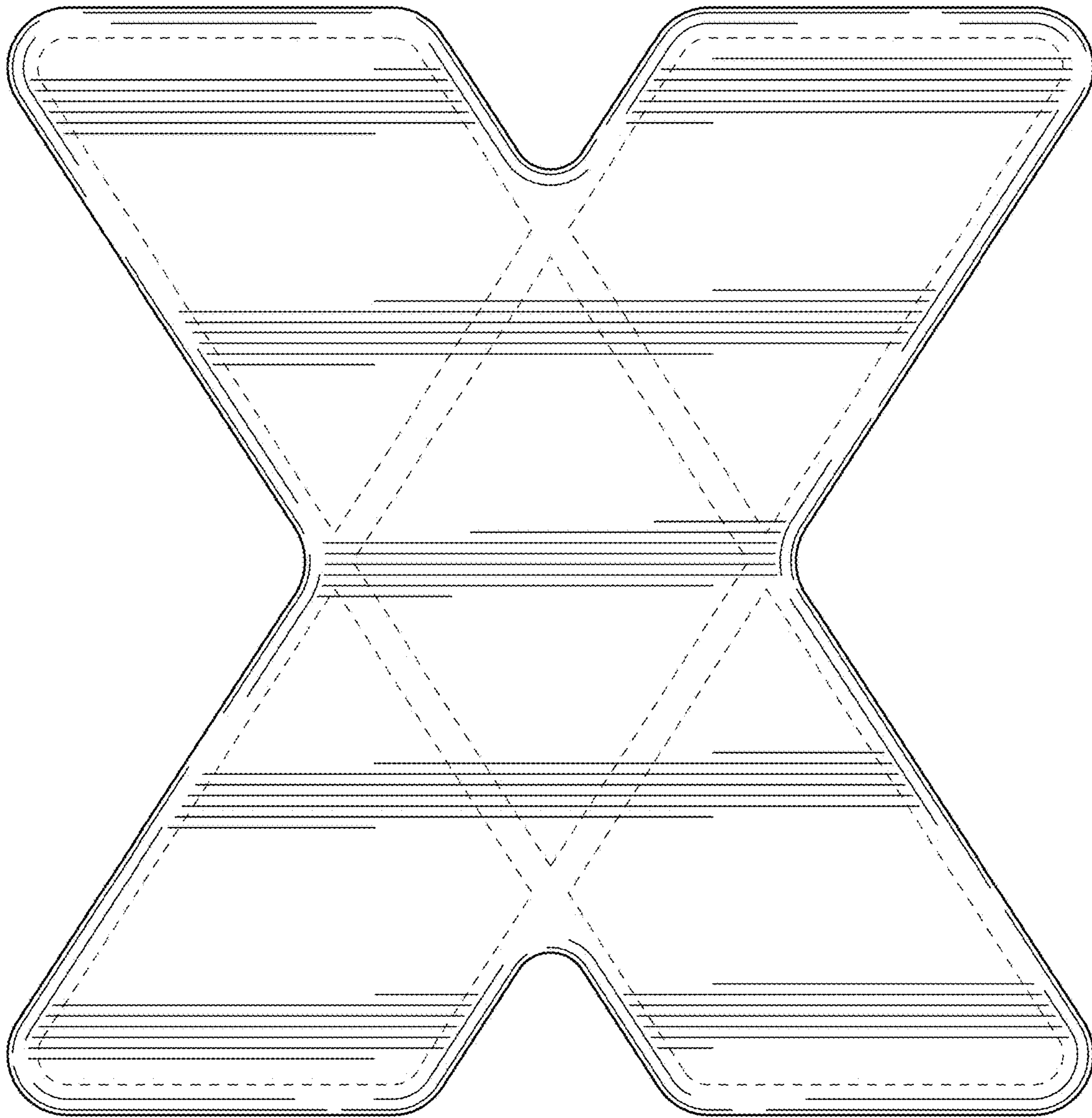


FIG. 14