



US00D844991S

(12) **United States Design Patent**
Franklin

(10) **Patent No.:** **US D844,991 S**

(45) **Date of Patent:** **** Apr. 9, 2019**

(54) **TATTOO NEEDLE HOLDER**

(71) Applicant: **Travis Franklin**, Sarasota, FL (US)

(72) Inventor: **Travis Franklin**, Sarasota, FL (US)

(**) Term: **15 Years**

(21) Appl. No.: **29/637,401**

(22) Filed: **Feb. 18, 2018**

(51) **LOC (11) Cl.** **03-01**

(52) **U.S. Cl.**
USPC **D3/313**

(58) **Field of Classification Search**
USPC D3/303-315, 318-319, 328; D7/600.1,
D7/601-602, 701

CPC B65D 1/00; B65D 1/34; B65D 1/36
See application file for complete search history.

D472,712 S * 4/2003 Sagen D3/313
6,755,311 B2 * 6/2004 Berry B25H 3/04
211/65
D566,770 S * 4/2008 Cetera D19/77
D602,694 S * 10/2009 Alvarez D3/315
D787,184 S * 5/2017 Stuart D3/313

* cited by examiner

Primary Examiner — Kelley A Donnelly

(74) *Attorney, Agent, or Firm* — Edward P. Dutkiewicz

(57) **CLAIM**

The ornamental design for a tattoo needle holder, as shown and described.

DESCRIPTION

(56) **References Cited**

U.S. PATENT DOCUMENTS

- 3,298,532 A * 1/1967 Wilcke A01G 20/30
211/70.6
- D260,207 S * 8/1981 Whyte 211/74
- D279,950 S * 8/1985 Wan D6/680
- D298,264 S * 10/1988 Wang D19/85
- 4,867,332 A * 9/1989 Mains B25H 3/04
220/735
- D308,610 S * 6/1990 Ianni D19/85
- 5,350,065 A * 9/1994 Darrey B25H 3/00
206/373
- D382,998 S * 9/1997 Conigliaro D3/313
- D431,363 S * 10/2000 Boyette D3/315

FIG. 1 is a front side elevational view of the tattoo needle holder;

FIG. 2 is a rear side elevational view thereof;

FIG. 3 is a right side elevational view thereof;

FIG. 4 is a left side, elevational exploded view thereof;

FIG. 5 is a top plan view thereof;

FIG. 6 is a bottom plan view thereof;

FIG. 7 is a top and front perspective view; and,

FIG. 8 is a bottom and front perspective view.

The broken lines showing in FIGS. 5, 6, 7, and 8 are for the purposes of illustrating the environment of the article only and form no part of the claimed design.

1 Claim, 5 Drawing Sheets

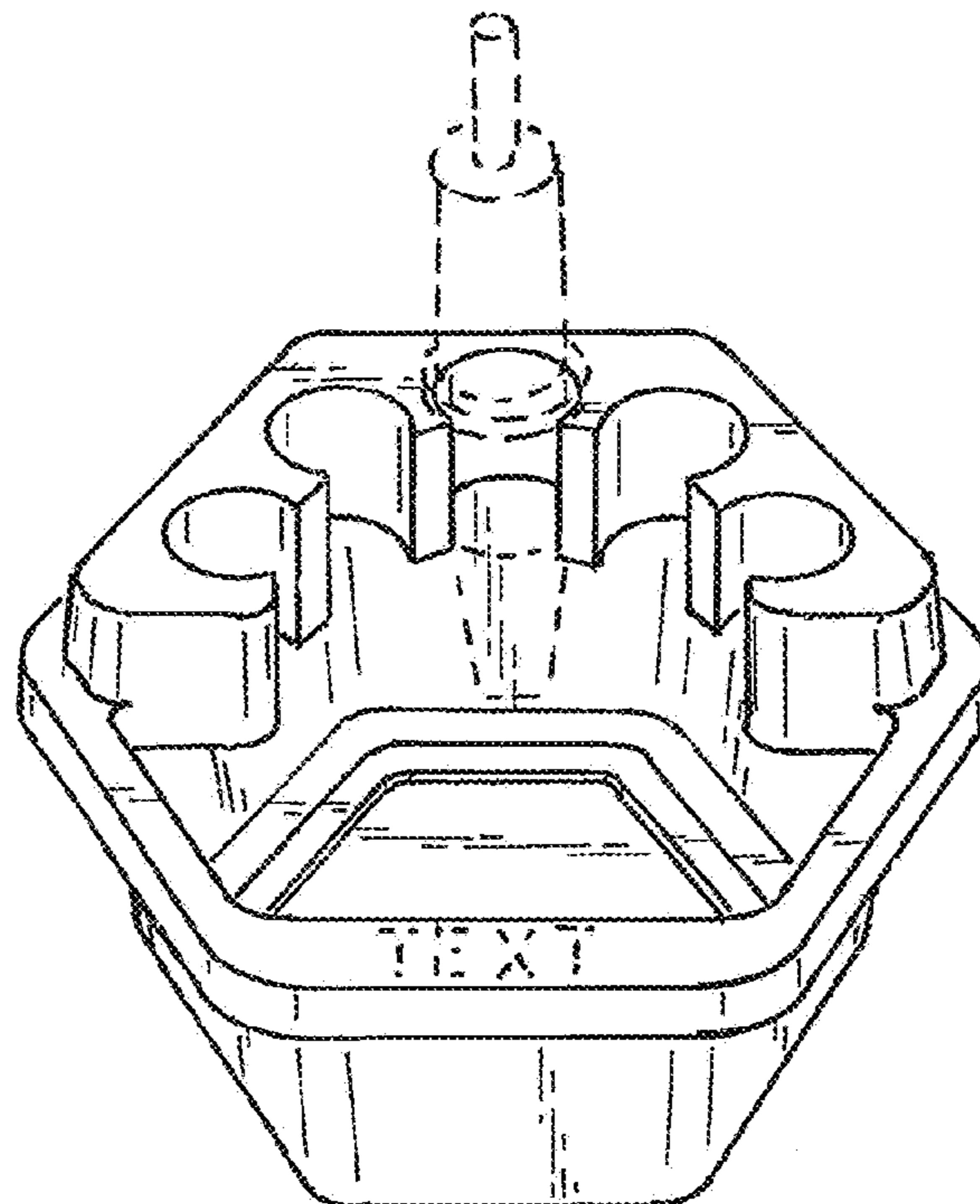


FIG. 1

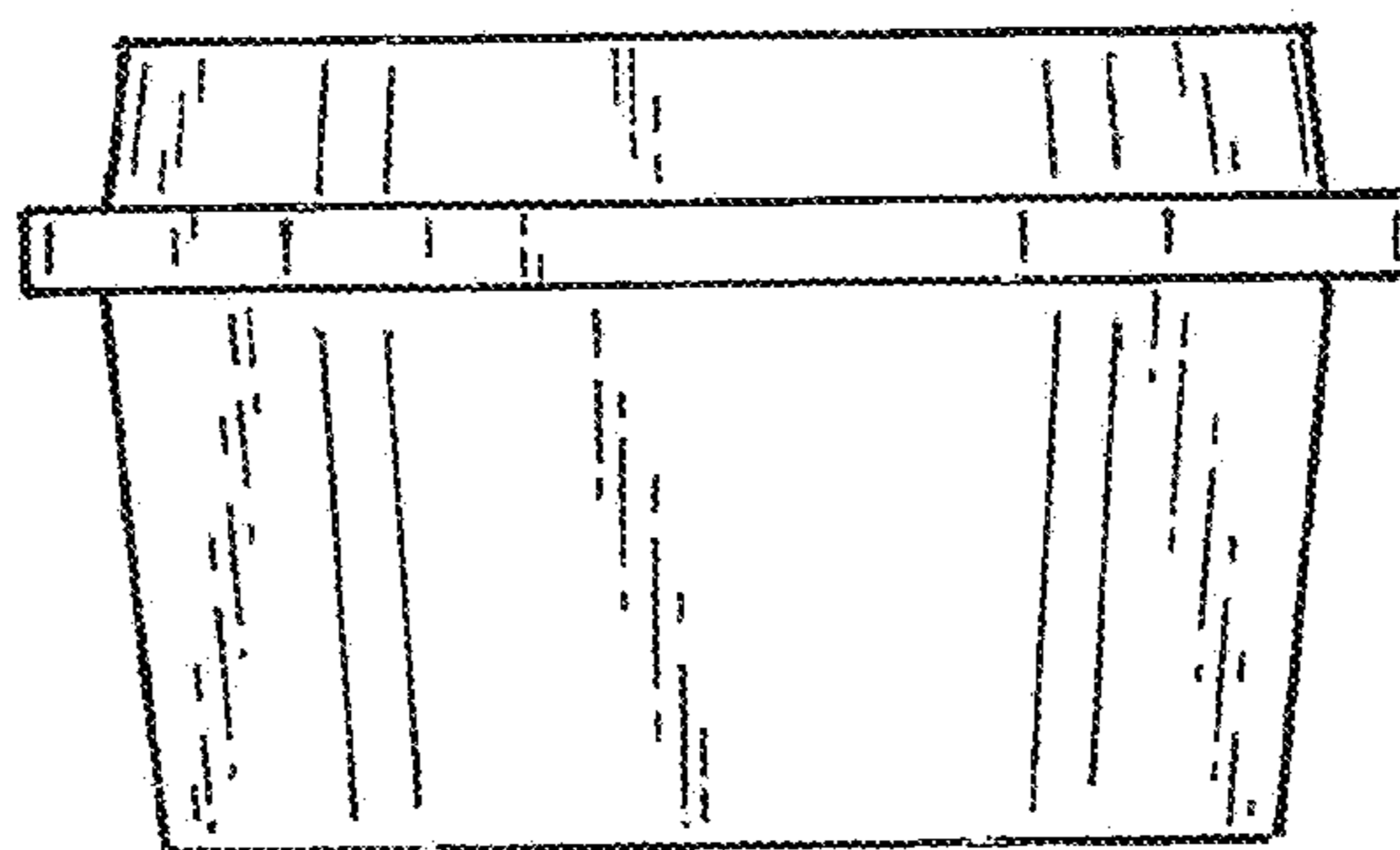
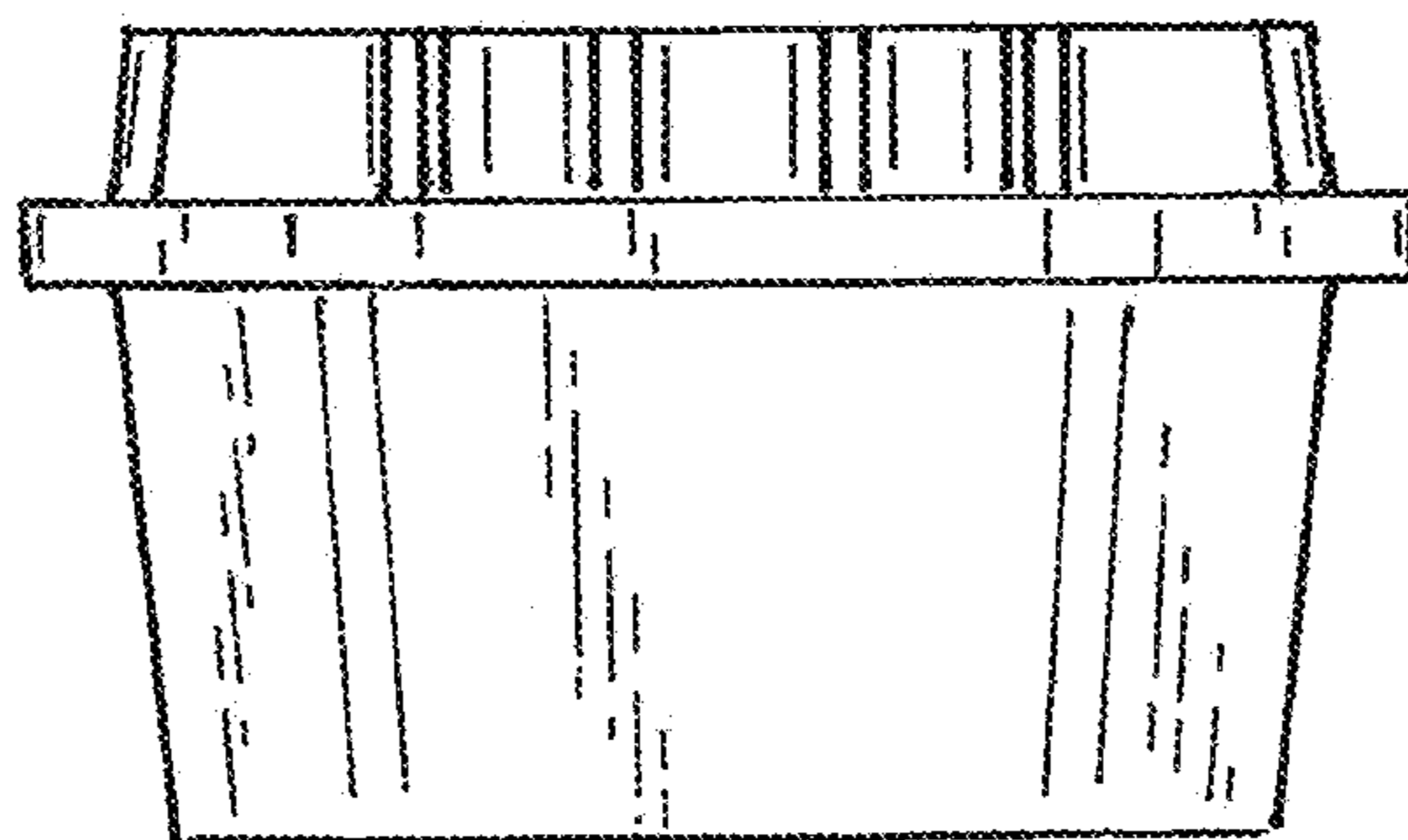


FIG. 2

FIG. 3

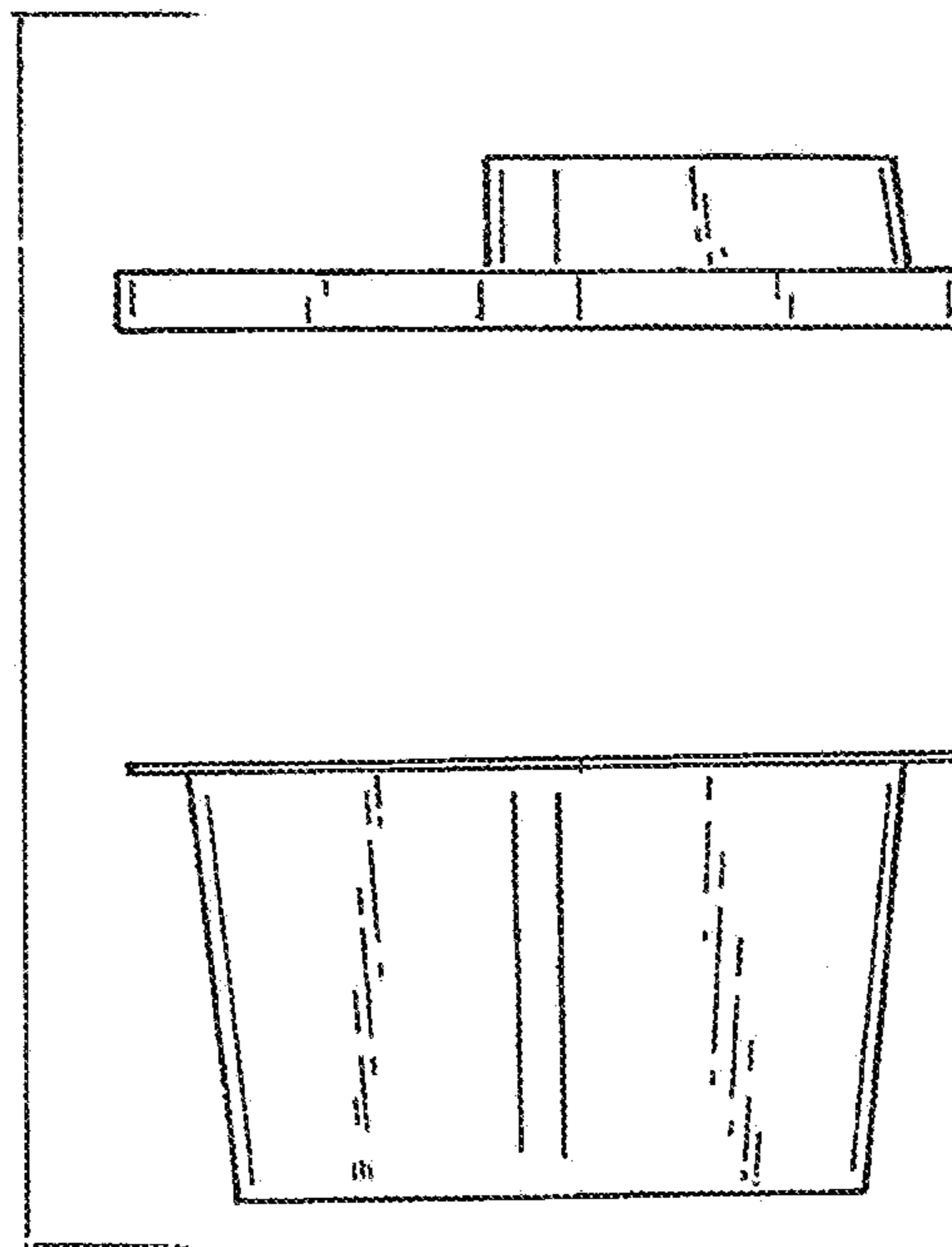
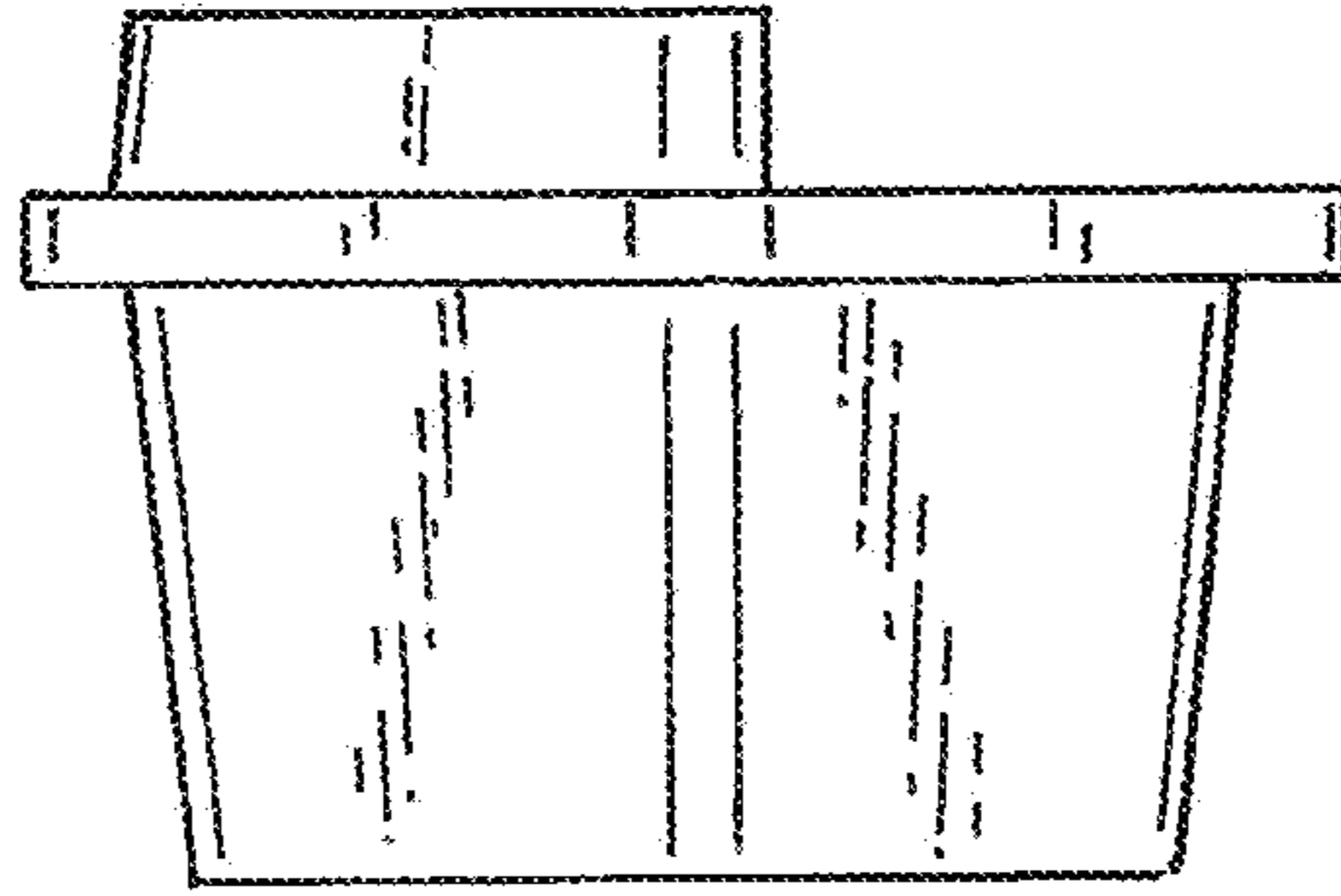


FIG. 4

FIG. 5

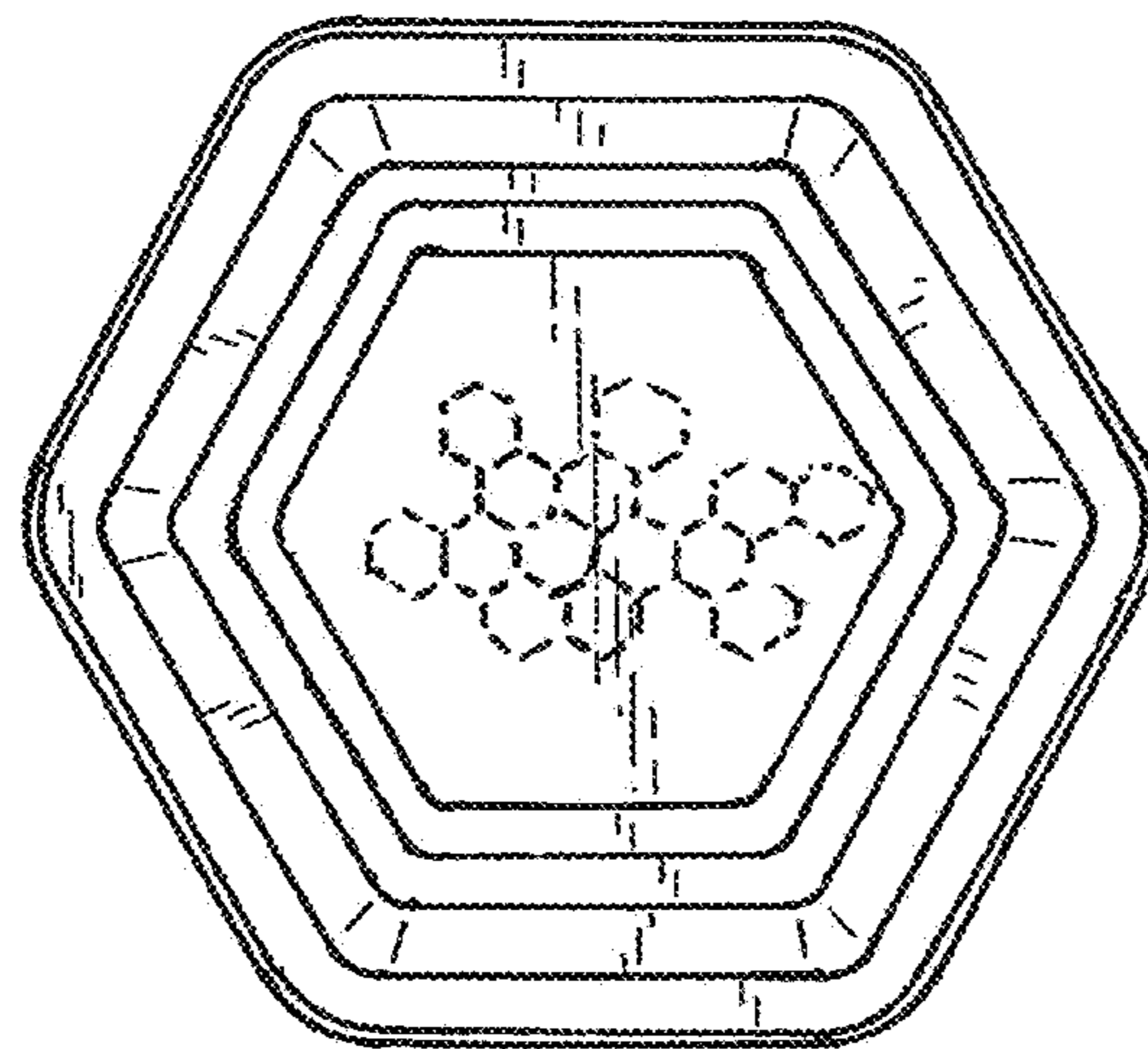
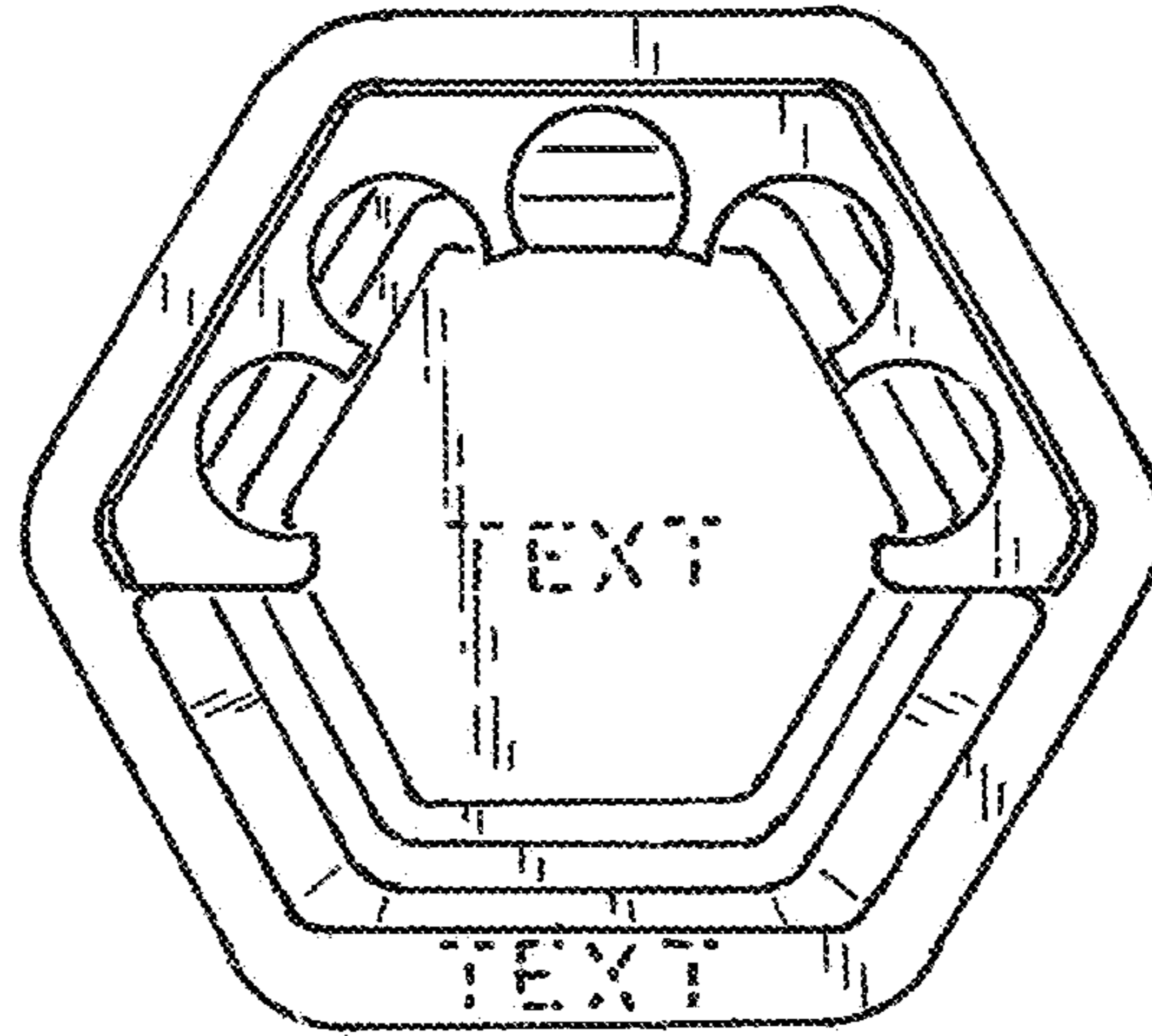


FIG. 6

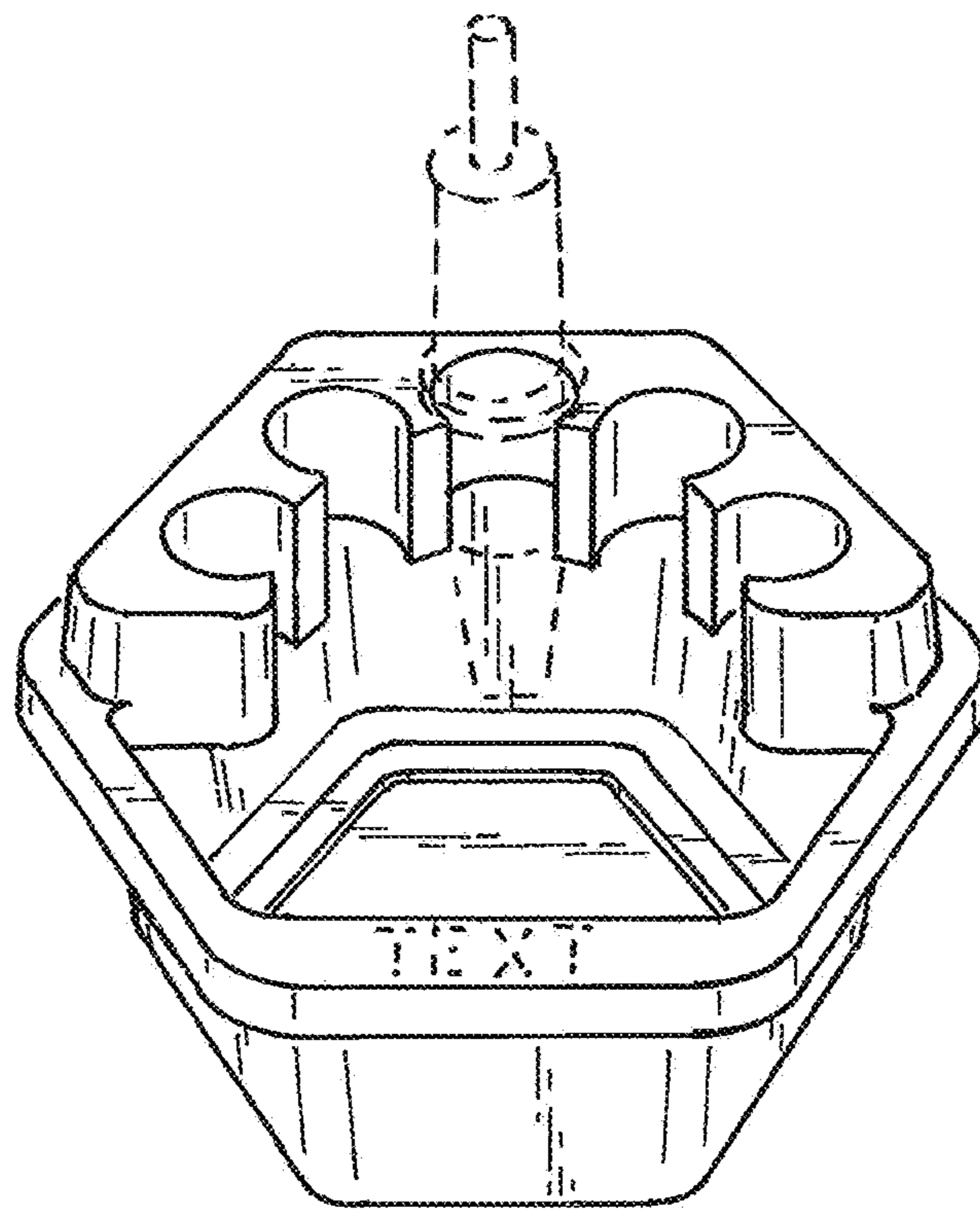


FIG. 7

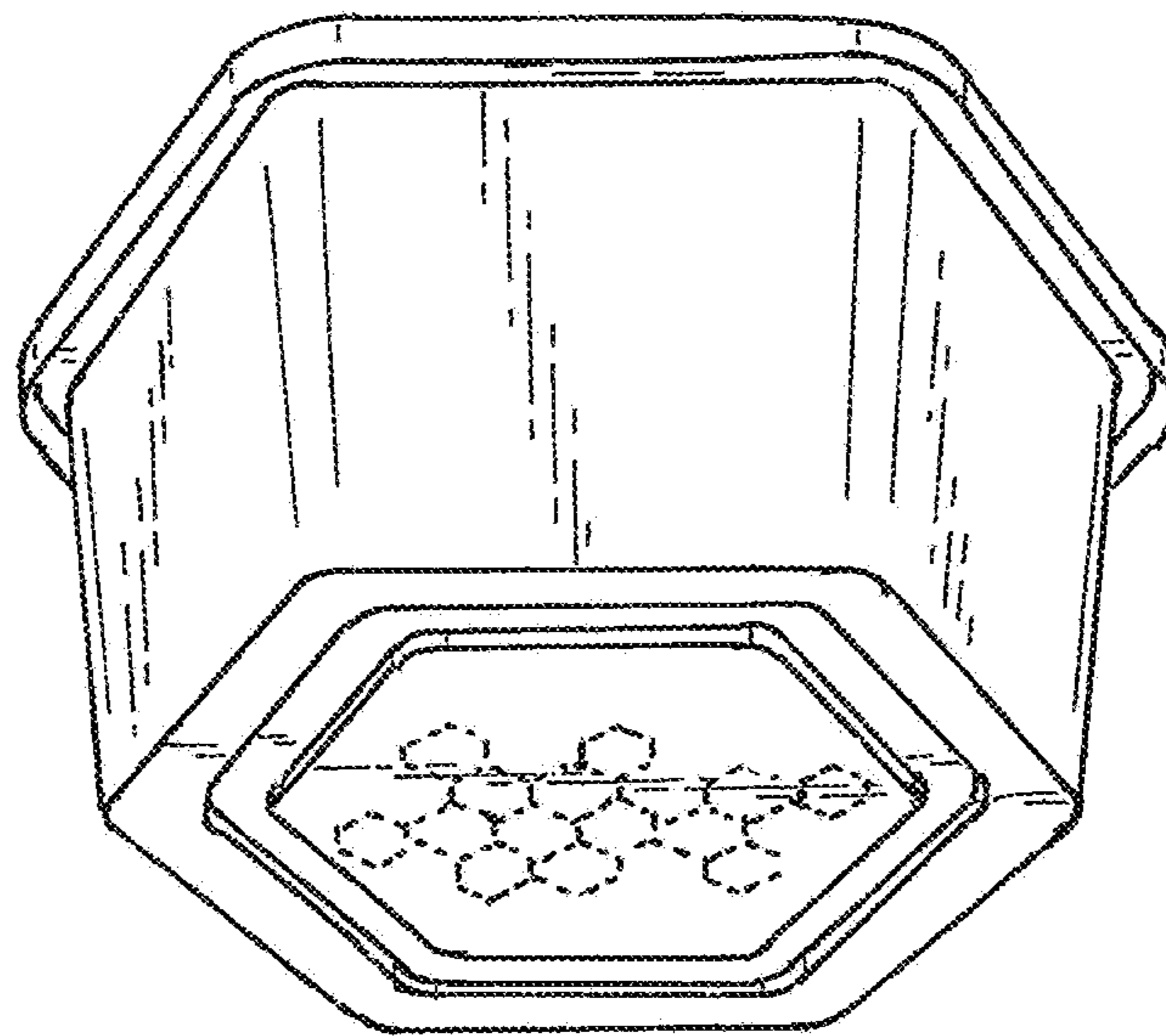


FIG. 8