

US00D844990S

(12) **United States Design Patent** (10) **Patent No.:** **US D844,990 S**
Liao (45) **Date of Patent:** **** Apr. 9, 2019**

(54) **TOOL BRACKET**
(71) Applicant: **LIH YANN INDUSTRIAL CO., LTD.,**
Taichung (TW)
(72) Inventor: **Po-Lin Liao,** Taichung (TW)
(73) Assignee: **LIH YANN INDUSTRIAL CO. LTD.,**
Taichung (TW)

D508,774 S * 8/2005 McAndrew D3/313
D548,547 S * 8/2007 Kaposi D7/672
D573,940 S * 7/2008 Heneghan D12/425
D586,596 S * 2/2009 Nielsen D3/313
D617,990 S * 6/2010 Liao D3/313
D620,260 S * 7/2010 Emmert D3/313
D795,605 S * 8/2017 Heffernan D6/512
D810,321 S * 2/2018 Heffernan D25/68
D824,171 S * 7/2018 Brunner D3/313
D825,926 S * 8/2018 Lauber D3/318

(**) Term: **15 Years**

FOREIGN PATENT DOCUMENTS

(21) Appl. No.: **29/637,186**

TW D187741 1/2018

* cited by examiner

(22) Filed: **Feb. 14, 2018**

(51) **LOC (11) Cl.** **03-01**

Primary Examiner — Kelley A Donnelly

(52) **U.S. Cl.**
USPC **D3/313**

(74) *Attorney, Agent, or Firm* — Muncy, Geissler, Olds & Lowe, P.C.

(58) **Field of Classification Search**
USPC D3/304, 313, 314, 318-319;
D7/637-638; D8/71
CPC A47G 21/14; A45F 2200/05; A45F
2200/0575; B25H 3/006
See application file for complete search history.

(57) **CLAIM**

I claim the ornamental design for a tool bracket, as shown and described.

DESCRIPTION

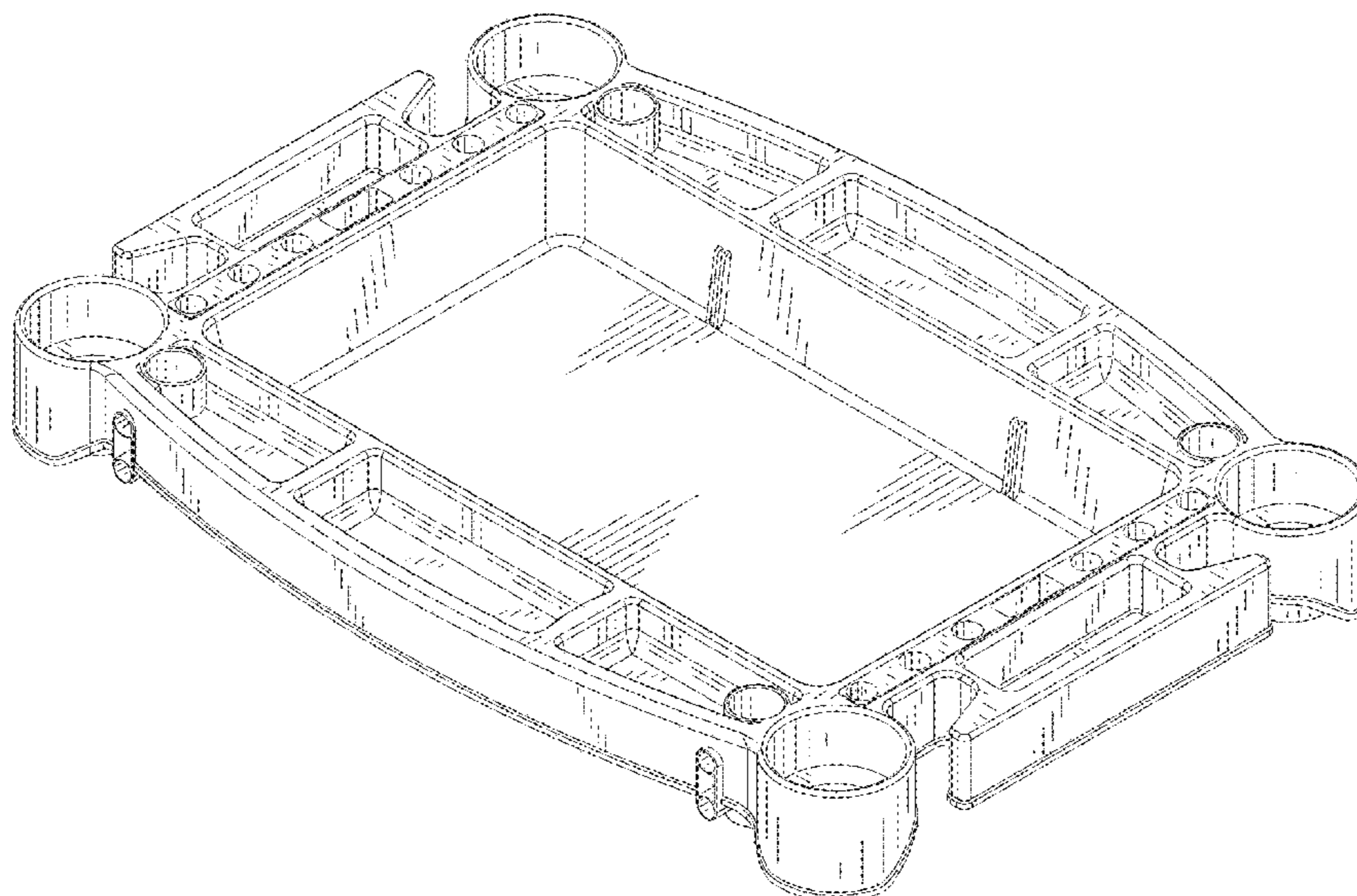
(56) **References Cited**

U.S. PATENT DOCUMENTS

D53,107 S * 3/1919 Sommer D3/313
D322,356 S * 12/1991 Harshaw D3/313
D385,111 S * 10/1997 Dickinson D3/304
D393,543 S * 4/1998 Wilkening D3/313
D405,611 S * 2/1999 Hawkins D3/313
D459,078 S * 6/2002 Tondino D3/313
D479,439 S * 9/2003 Joss D7/549

FIG. 1 is a right, front, and top perspective view of a tool bracket showing my new design;
FIG. 2 is a front elevational view thereof;
FIG. 3 is a rear elevational view thereof;
FIG. 4 is a left side view thereof;
FIG. 5 is a right side view thereof;
FIG. 6 is a top plan view thereof;
FIG. 7 is a bottom plan view thereof; and,
FIG. 8 is a right, rear, and bottom perspective view.

1 Claim, 6 Drawing Sheets



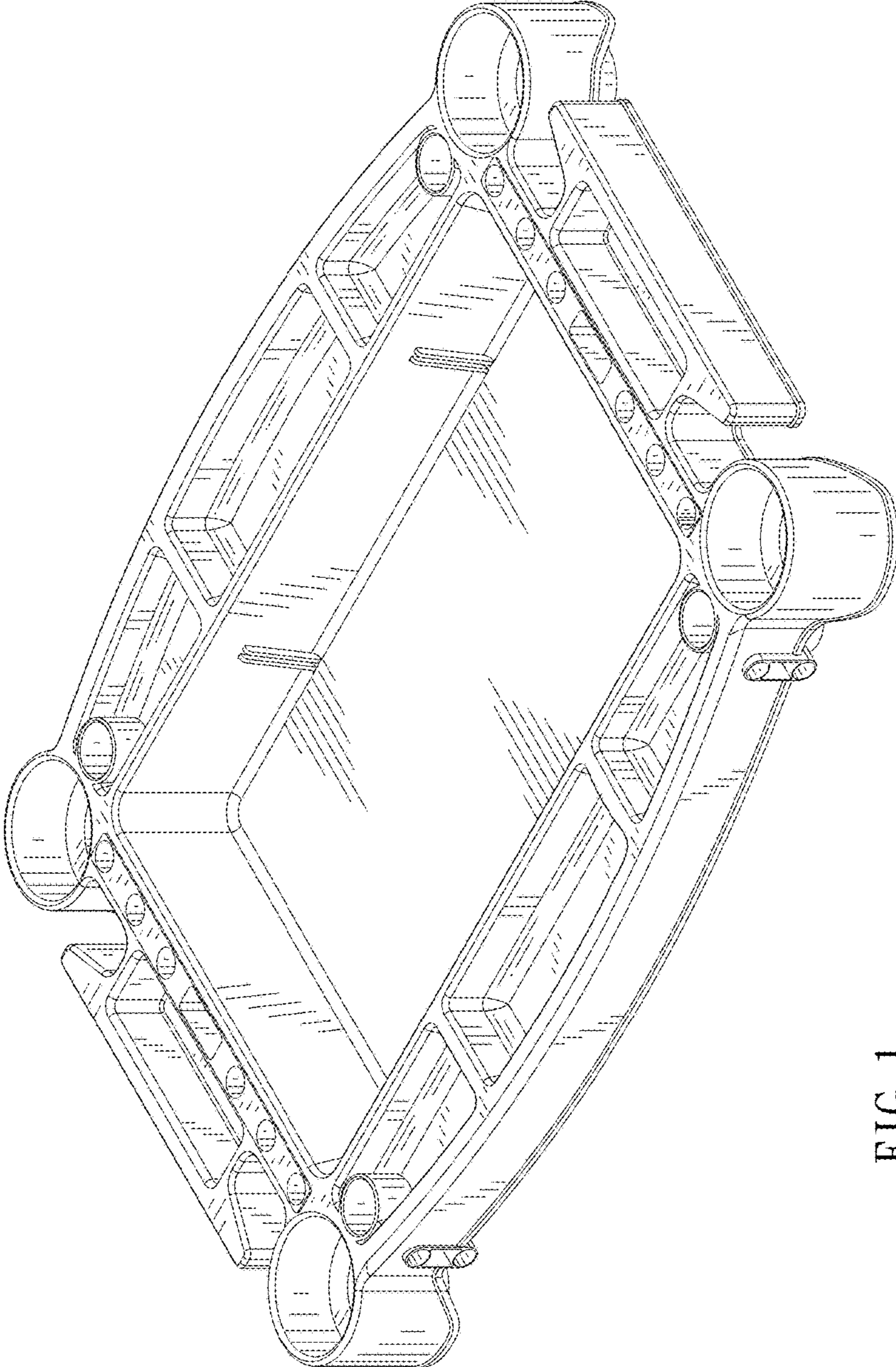


FIG. 1

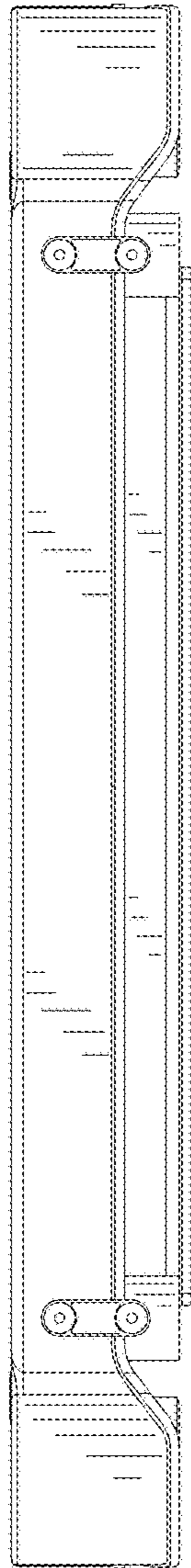


FIG. 2

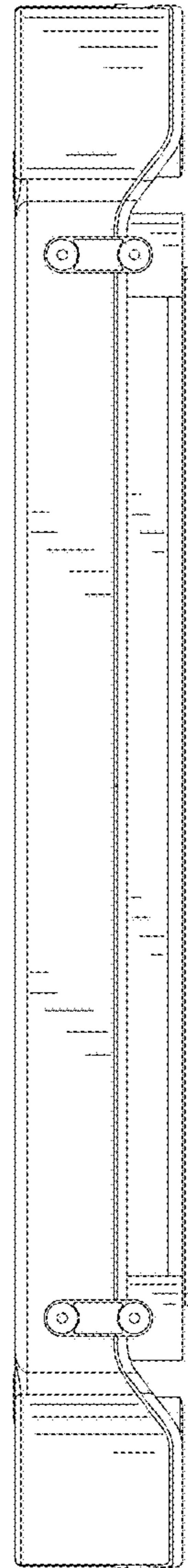


FIG. 3

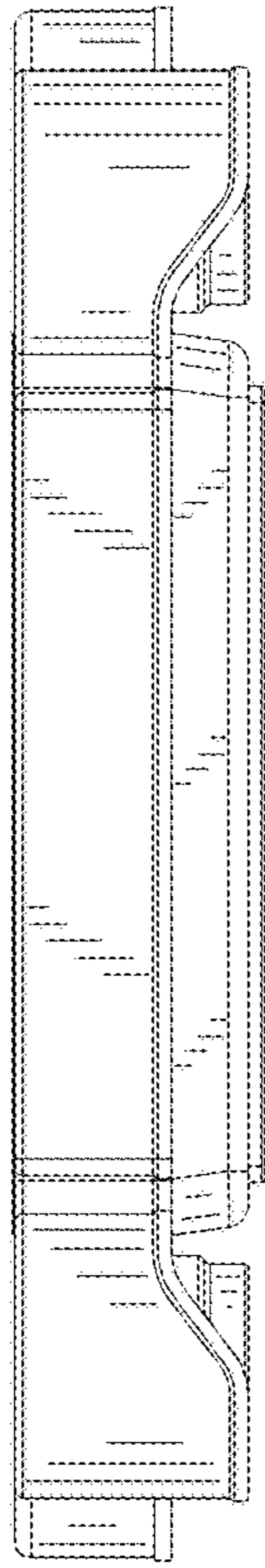


FIG. 4

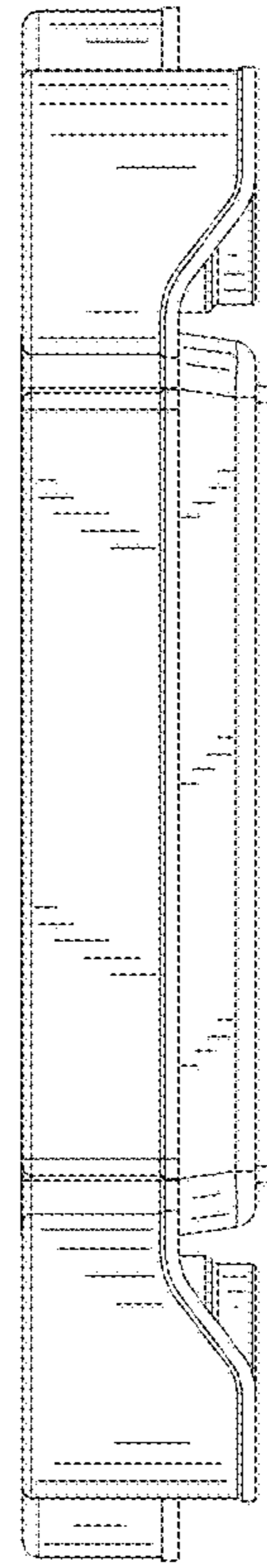


FIG. 5

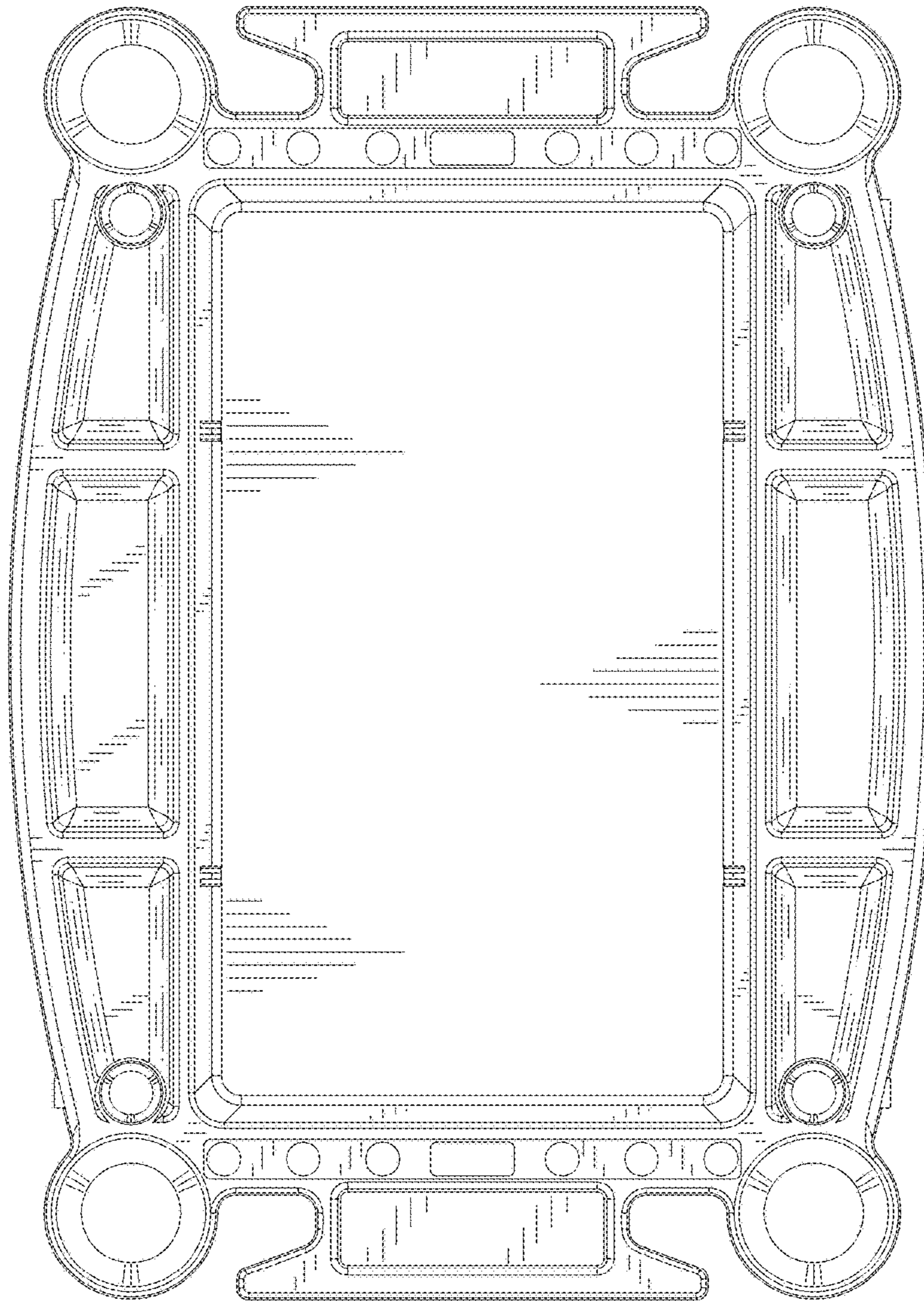


FIG. 6

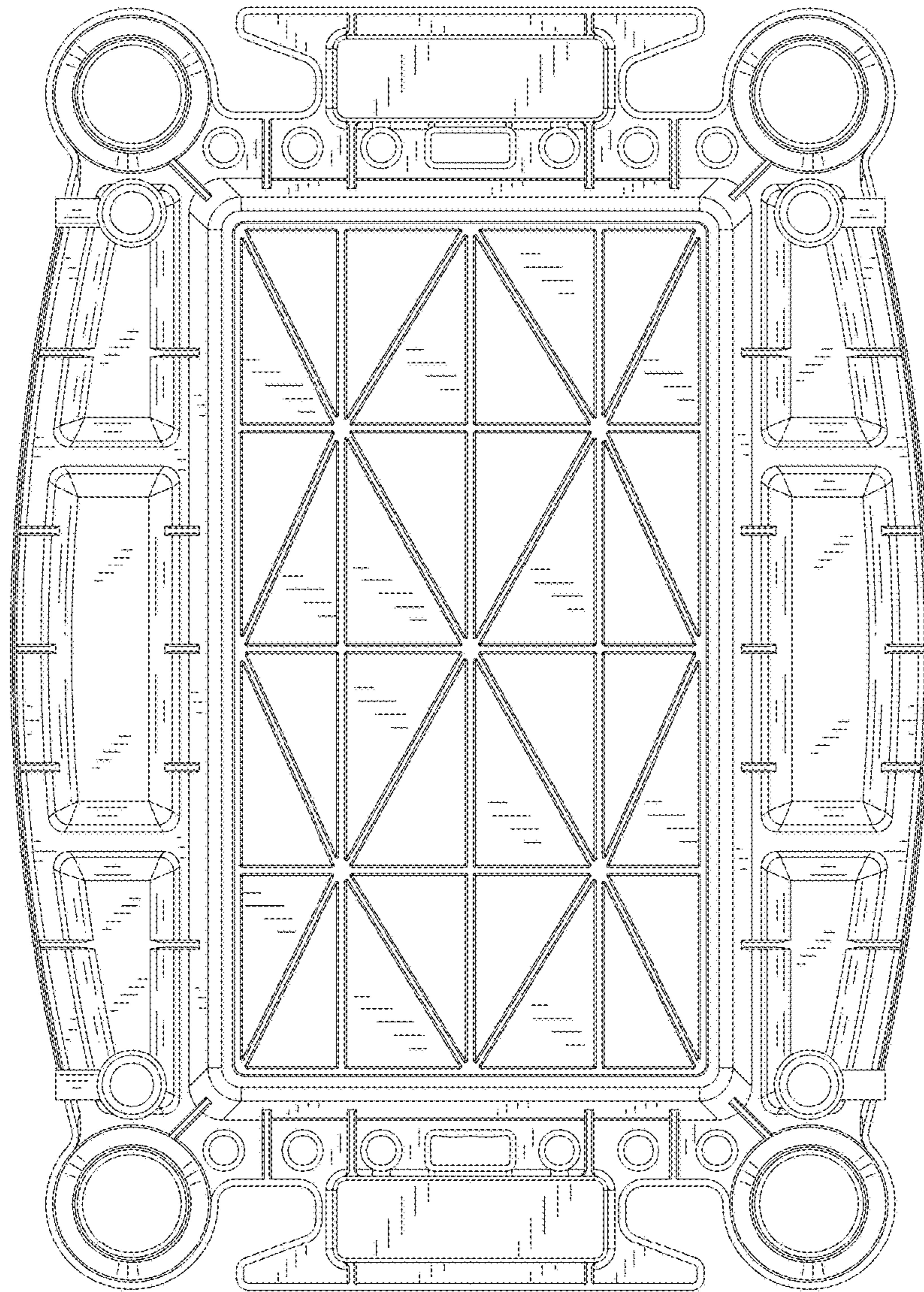


FIG. 7

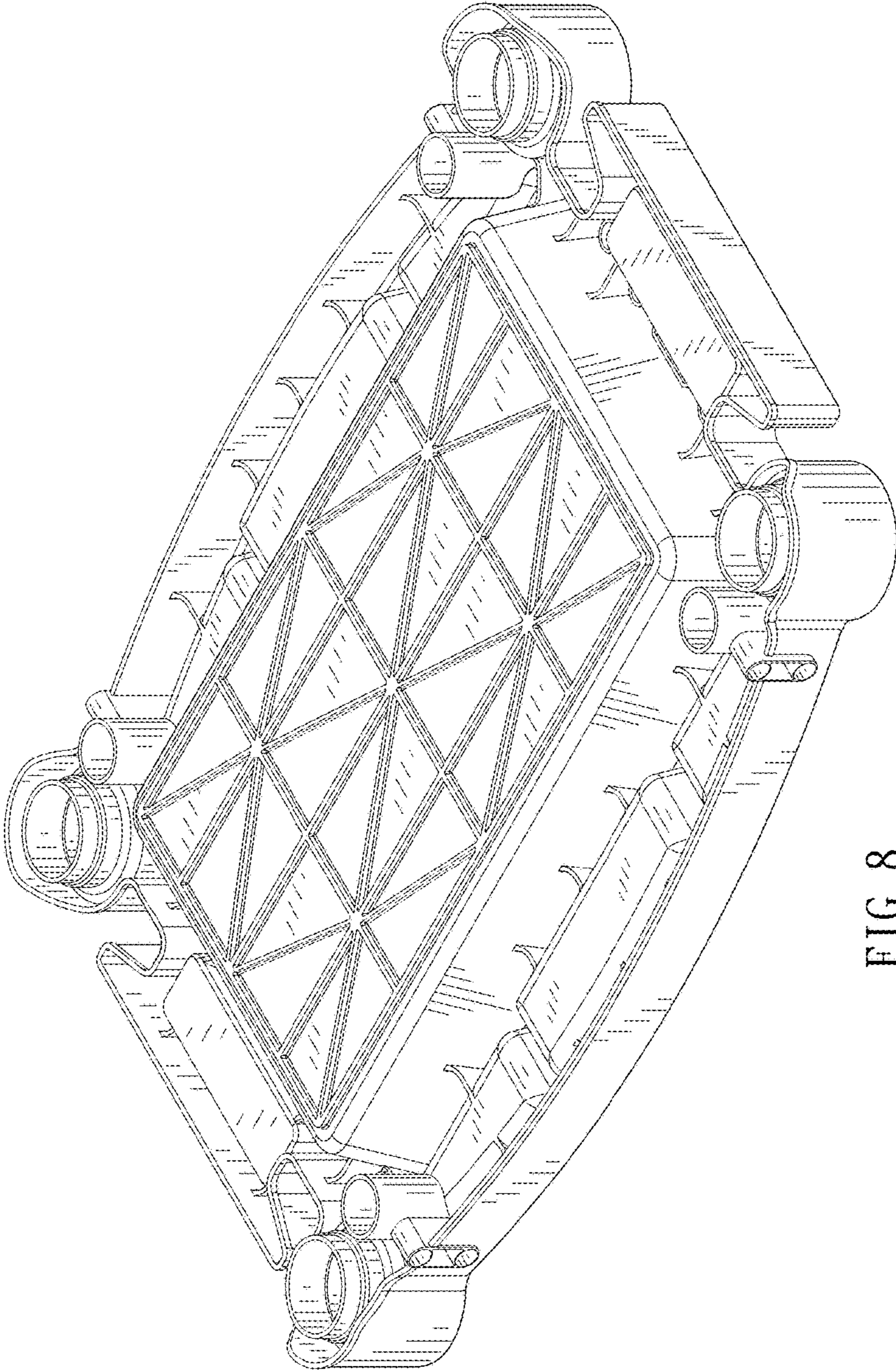


FIG. 8