



US00D844988S

(12) **United States Design Patent**  
**Reinhart et al.**

(10) **Patent No.:** **US D844,988 S**

(45) **Date of Patent:** **\*\* Apr. 9, 2019**

(54) **FOLDABLE CRATE**

**DESCRIPTION**

- (71) Applicant: **Creative Plastic Concepts, LLC**,  
Sycamore, OH (US)
- (72) Inventors: **Nickolas Reinhart**, Findlay, OH (US);  
**Jacob H. Whitta**, Findlay, OH (US)
- (73) Assignee: **Creative Plastic Concepts, LLC**,  
Sycamore, OH (US)
- (\*\*) Term: **15 Years**
- (21) Appl. No.: **29/642,686**
- (22) Filed: **Mar. 31, 2018**
- (51) **LOC (11) Cl.** ..... **03-01**
- (52) **U.S. Cl.**  
USPC ..... **D3/305**
- (58) **Field of Classification Search**  
USPC ..... D3/304–305, 307–309, 312; D9/424,  
D9/432, 456, 755  
CPC ..... B65D 1/22; B65D 1/225; B65D 21/00;  
B65D 21/0209; B65D 71/0003  
See application file for complete search history.

FIG. 1 is a top perspective view of a foldable crate according to the present disclosure, shown in an unfolded position; FIG. 2 is a bottom perspective view of the foldable crate shown in FIG. 1; FIG. 3 is a front elevational view of the foldable crate shown in FIG. 1; FIG. 4 is a right side elevational view of the foldable crate shown in FIG. 1; FIG. 5 is a top plan view of the foldable crate shown in FIG. 1; FIG. 6 is a bottom plan view of the foldable crate shown in FIG. 1; FIG. 7 is a top perspective view of the foldable crate shown in FIG. 1, shown in a folded position; FIG. 8 is a bottom perspective view of the foldable crate shown in FIG. 7; FIG. 9 is front elevational view of the foldable crate shown in FIG. 7; FIG. 10 is a right side elevational view of the foldable crate shown in FIGS. 7; and, FIG. 11 is a top plan view of the foldable crate shown in FIG. 7.

A rear elevational view of the foldable crate, in the unfolded position, is not shown because it is identical to the front elevational view shown in FIG. 3. A left side elevational view of the foldable crate, in the unfolded position, is not shown because it is identical to the right side elevational view shown in FIG. 4. A rear elevational view of the foldable crate, in the folded position, is not shown because it is identical to the front elevational view shown in FIG. 9. A left side elevational view of the foldable crate, in the folded position, is not shown because it is identical to the right side elevational view shown in FIG. 10. A bottom plan view of the foldable crate, in the folded position, is not shown because it is identical to the bottom plan view of the foldable crate in the unfolded position shown in FIG. 6.

The ornamental design which is claimed is shown in solid lines in the drawings.

(56) **References Cited**

**U.S. PATENT DOCUMENTS**

- D228,881 S \* 10/1973 Stauble ..... D3/312
- D355,073 S \* 2/1995 Junaedi ..... D3/305
- D370,344 S \* 6/1996 Kim ..... D3/305

(Continued)

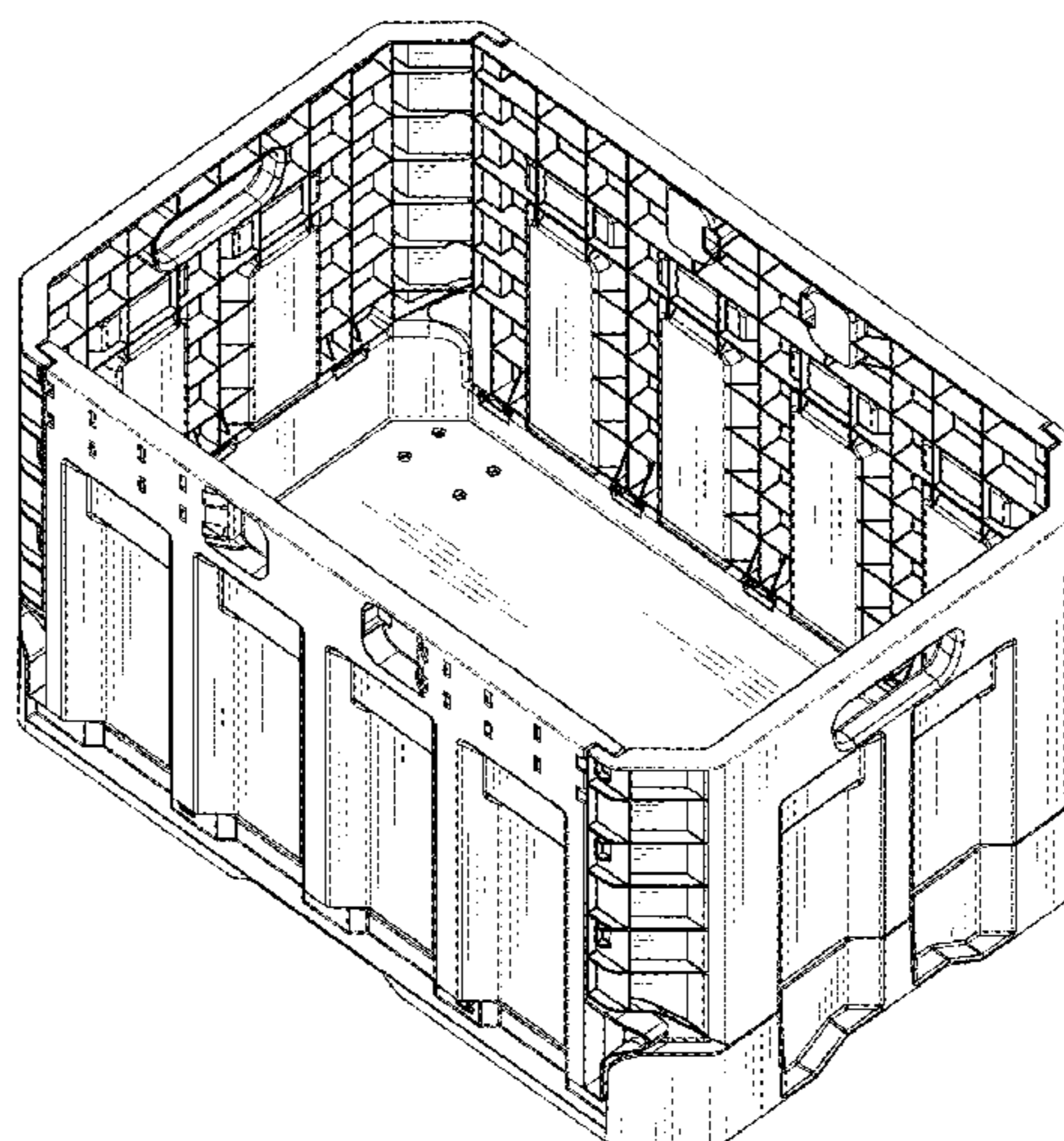
*Primary Examiner* — Kelley A Donnelly

(74) *Attorney, Agent, or Firm* — Jacob M. Ward; Ward Law Office LLC

(57) **CLAIM**

The ornamental design for a foldable crate, as shown and described.

**1 Claim, 8 Drawing Sheets**



(56)

**References Cited**

U.S. PATENT DOCUMENTS

D379,718	S	*	6/1997	Raghunathan	.....	D3/312
D381,513	S	*	7/1997	Brauner	.....	D3/305
D387,557	S	*	12/1997	Provot	.....	D3/304
D423,217	S	*	4/2000	Varfeldt	.....	D3/201
D446,392	S	*	8/2001	Overholt	.....	D3/304
D614,403	S	*	4/2010	Byron	.....	D3/304
D663,121	S	*	7/2012	Barth	.....	D3/304
D670,081	S	*	11/2012	Orgeldinger	.....	D3/307
D797,453	S	*	9/2017	Shamp	.....	D3/314
D801,686	S	*	11/2017	Park	.....	D3/305
D801,687	S	*	11/2017	Holland	.....	D3/309
D801,688	S	*	11/2017	Holland	.....	D3/309
D802,926	S	*	11/2017	Turner	.....	D3/304
D816,997	S	*	5/2018	Turner	.....	D3/304
2014/0083896	A1		3/2014	Park		
2017/0137175	A1		5/2017	Park		

\* cited by examiner

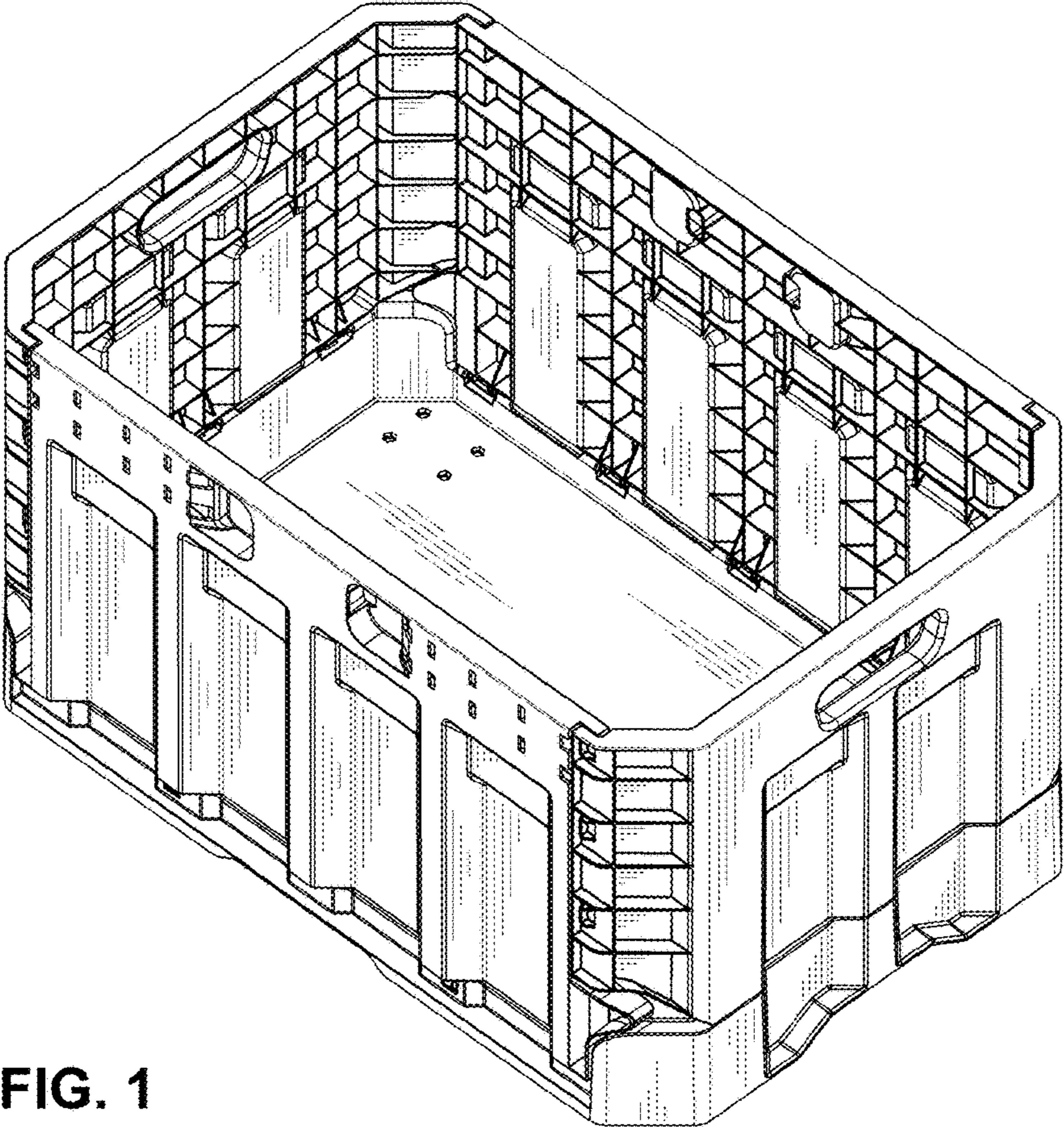


FIG. 1



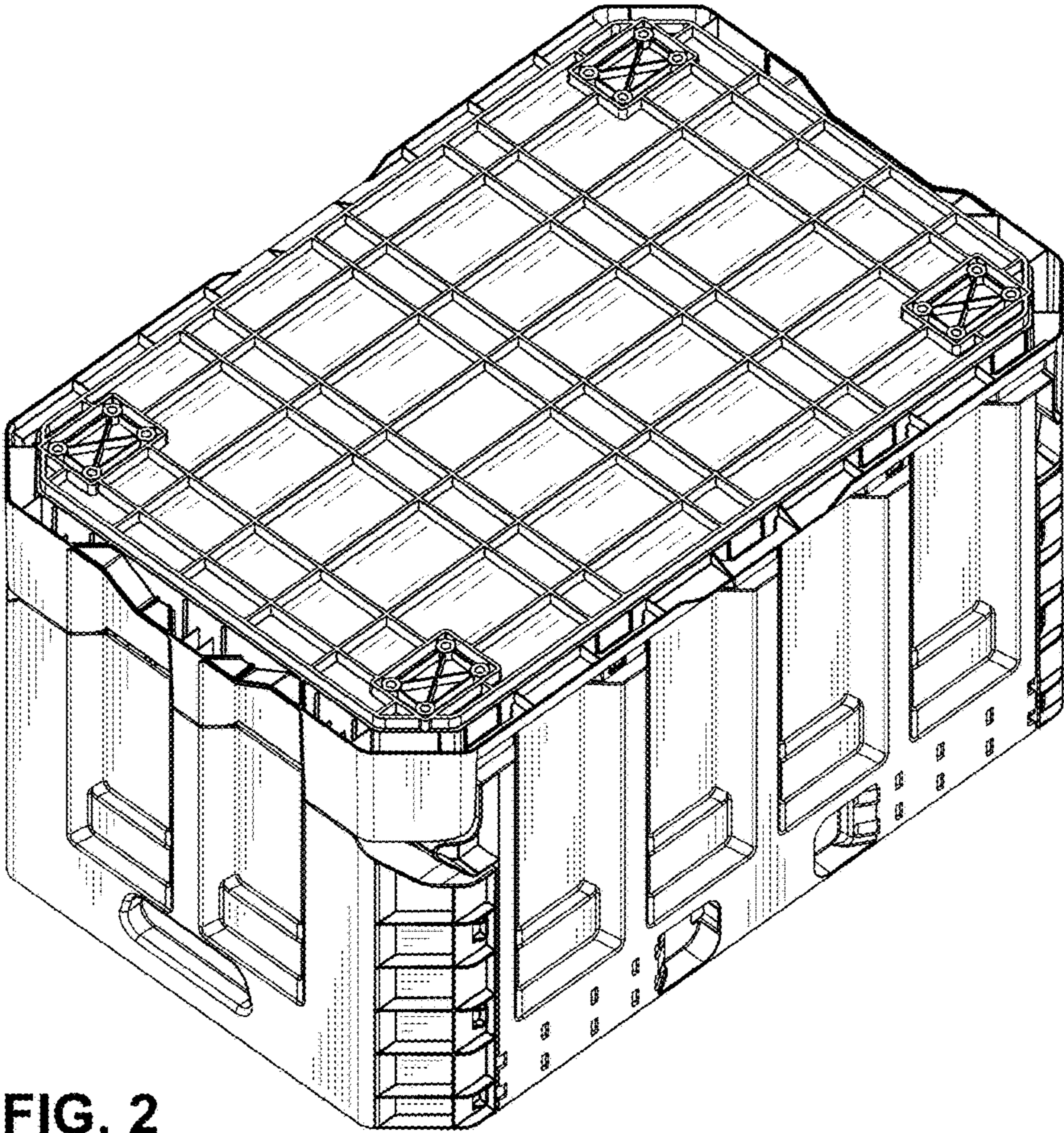


FIG. 2

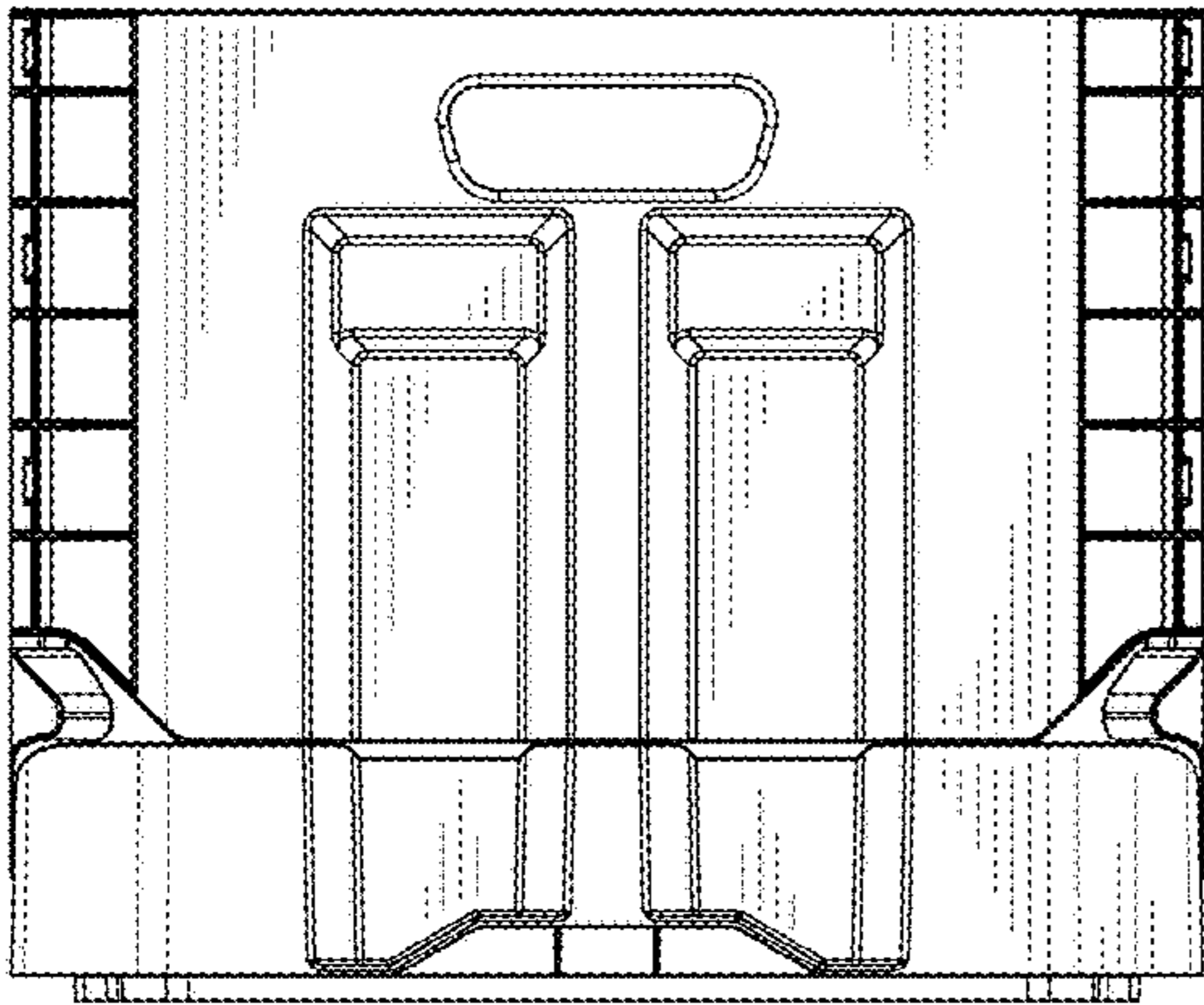


FIG. 3

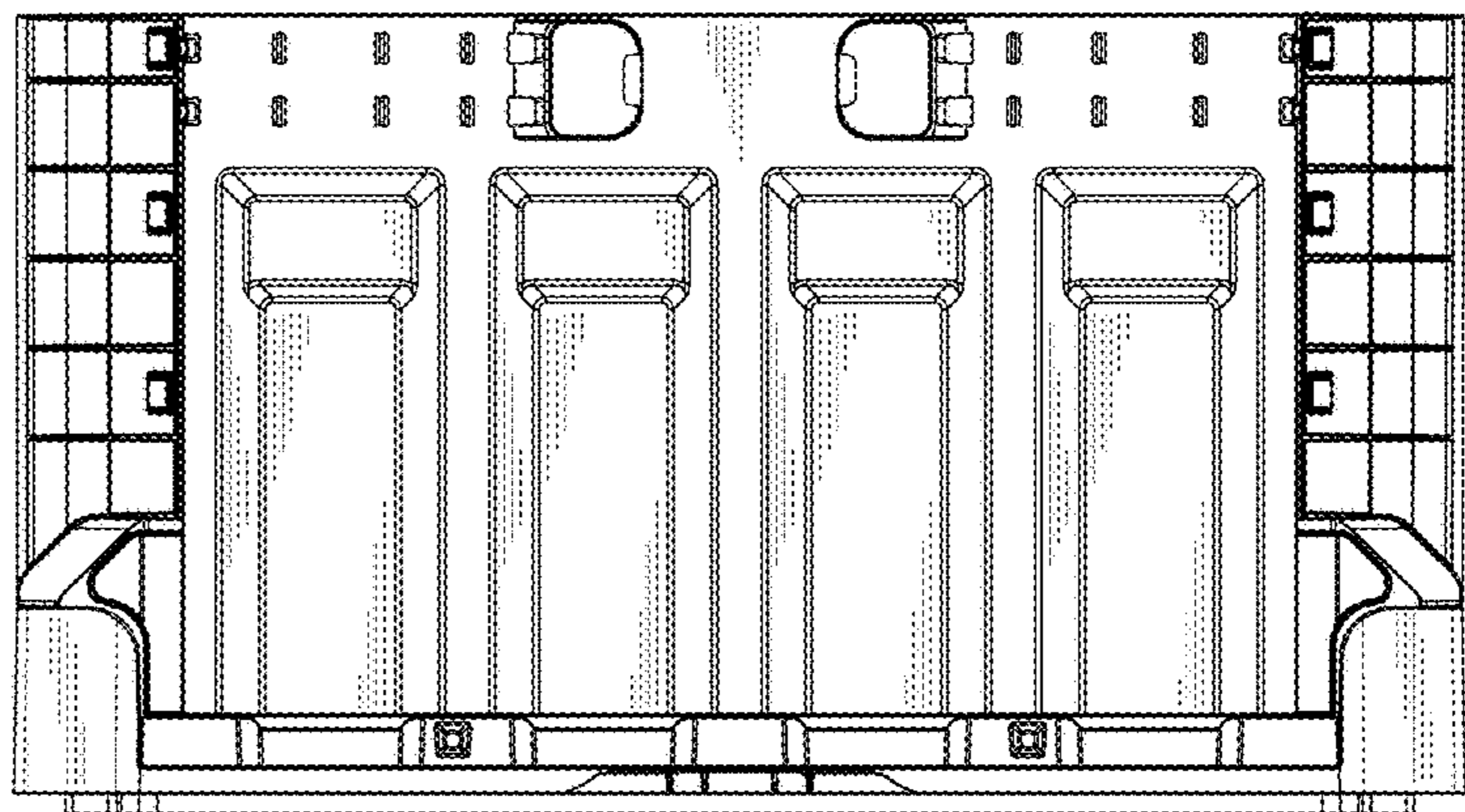


FIG. 4

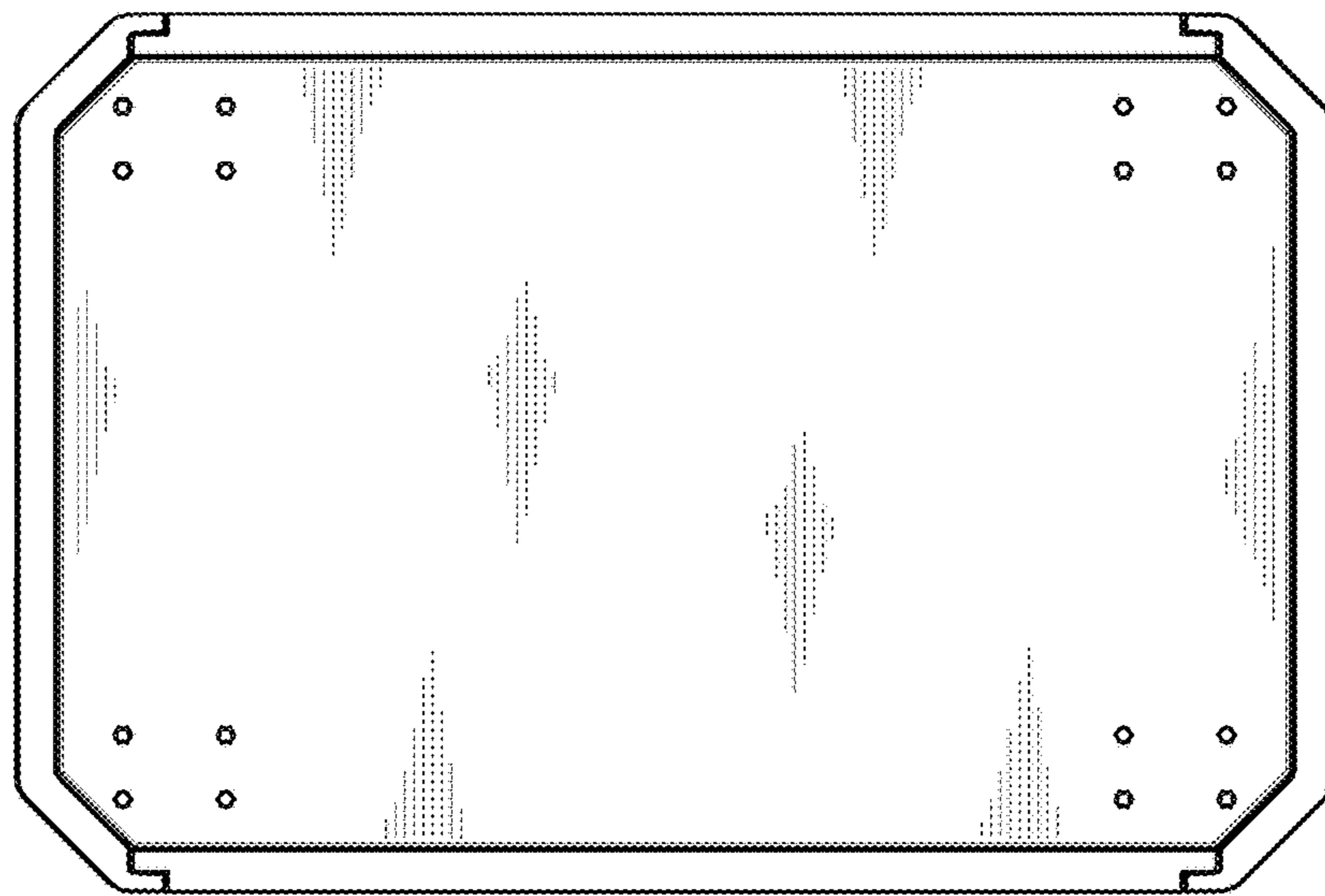


FIG. 5



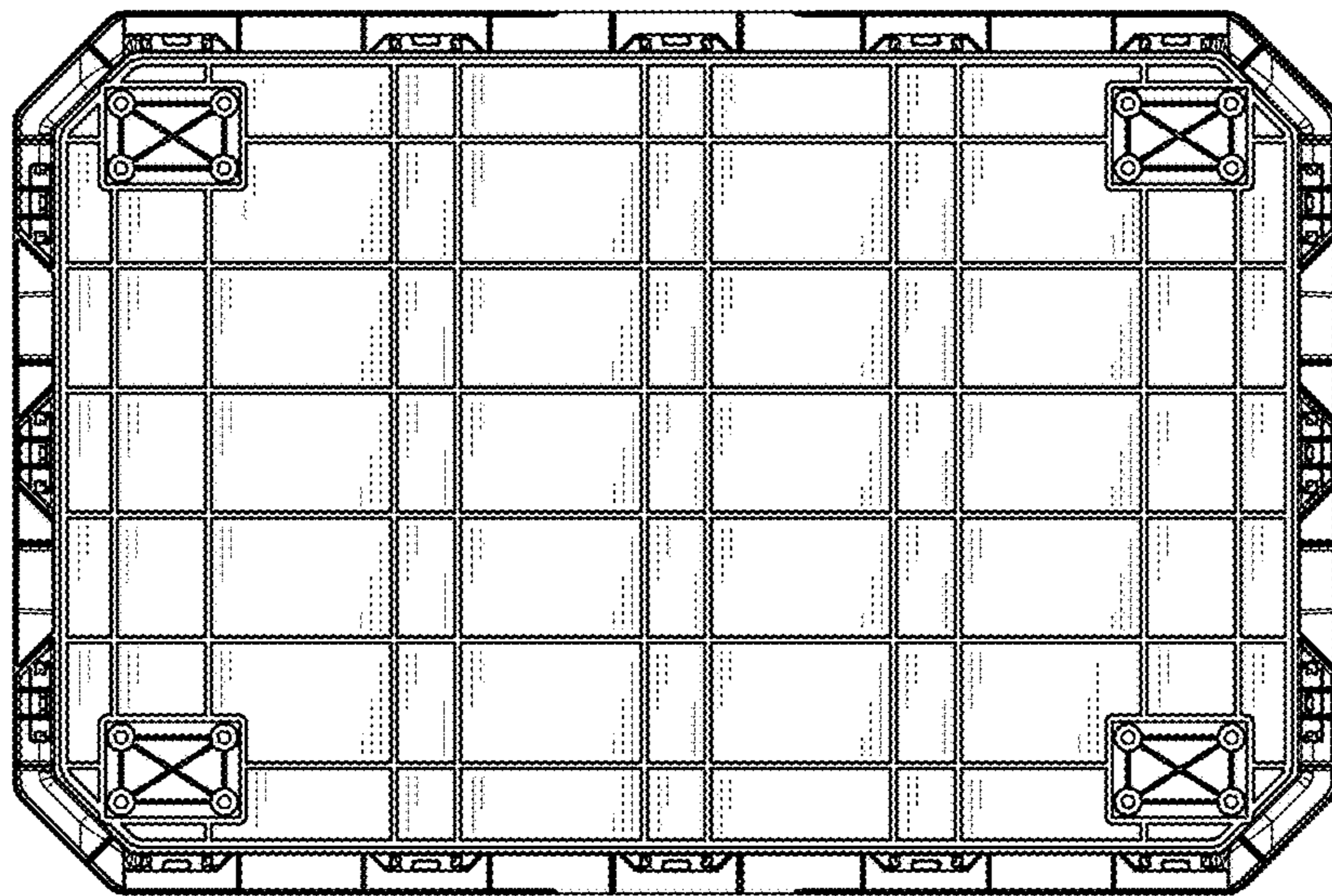
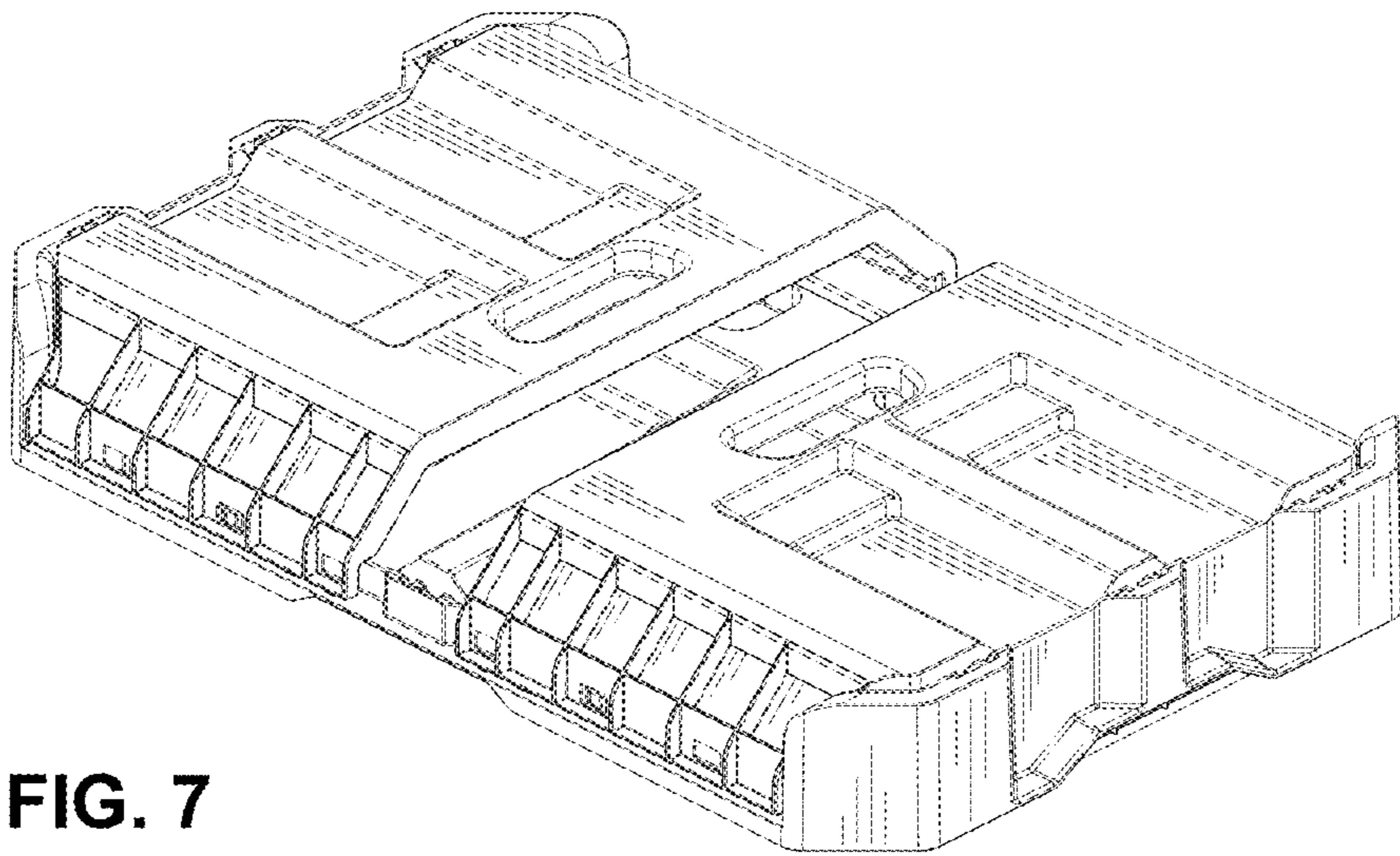


FIG. 6



**FIG. 7**



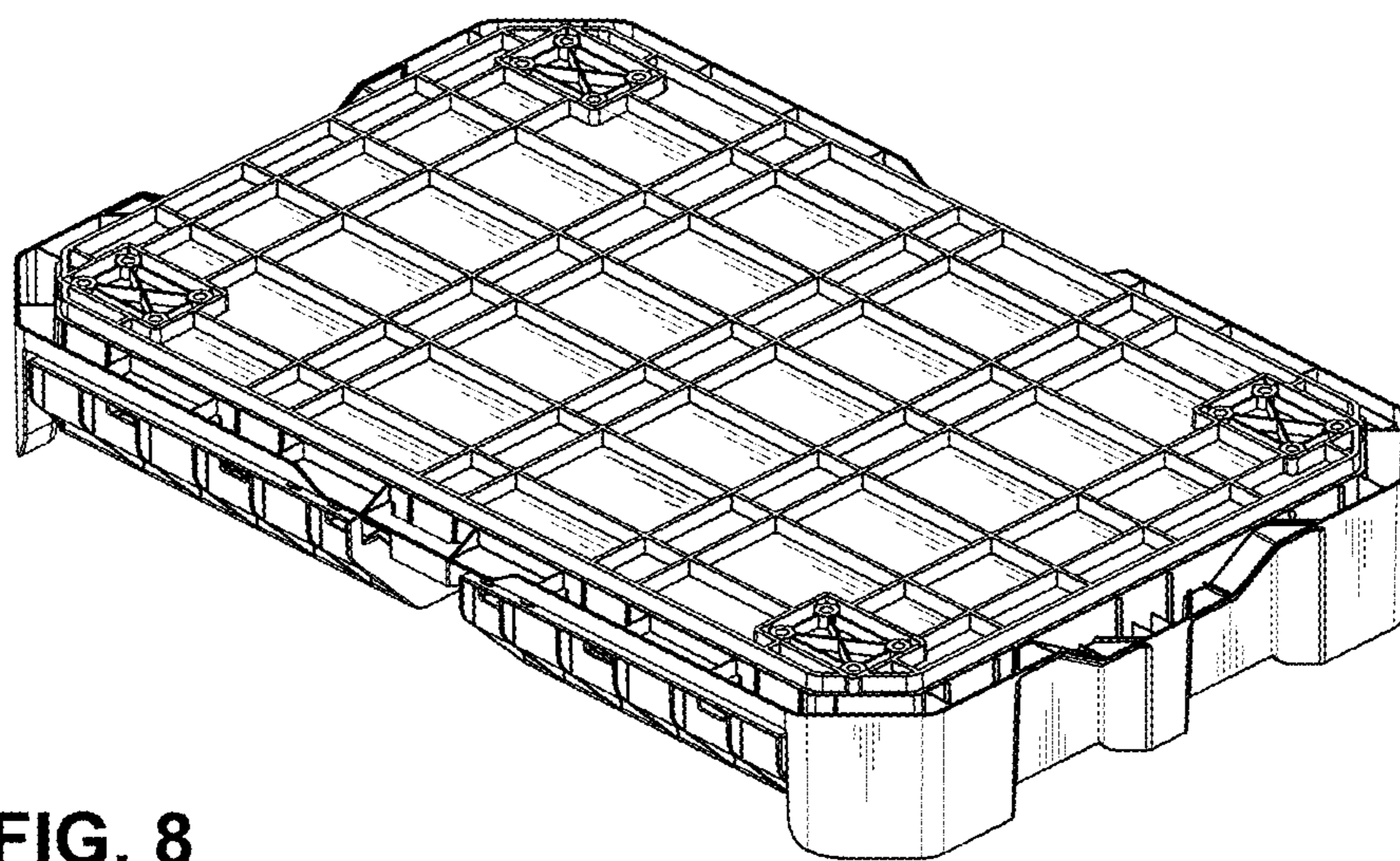


FIG. 8

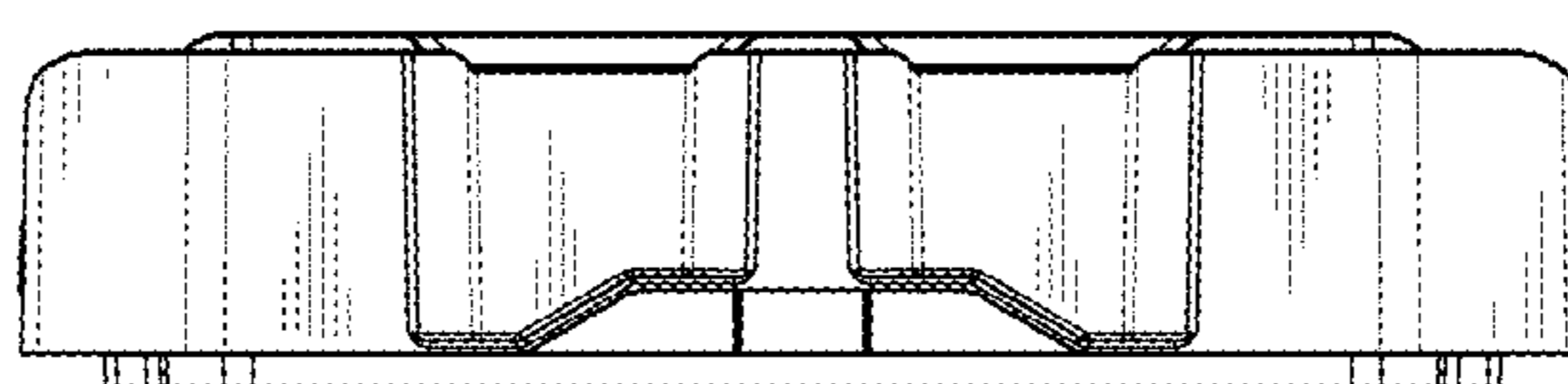


FIG. 9

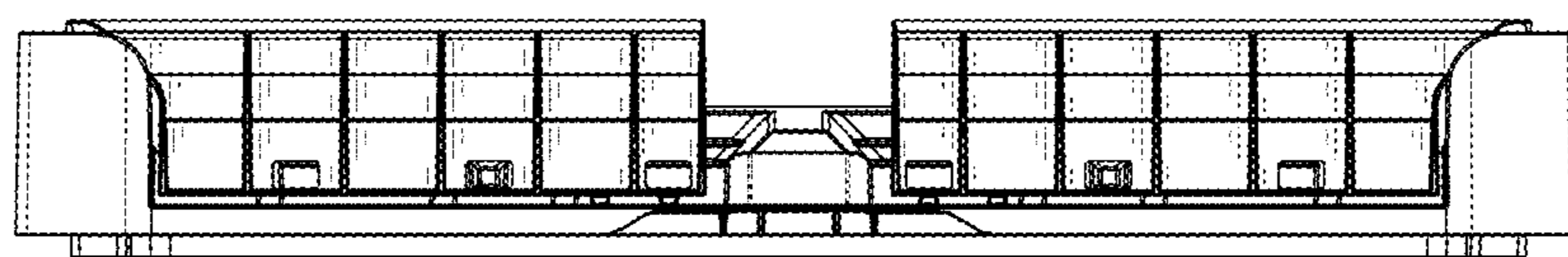


FIG. 10

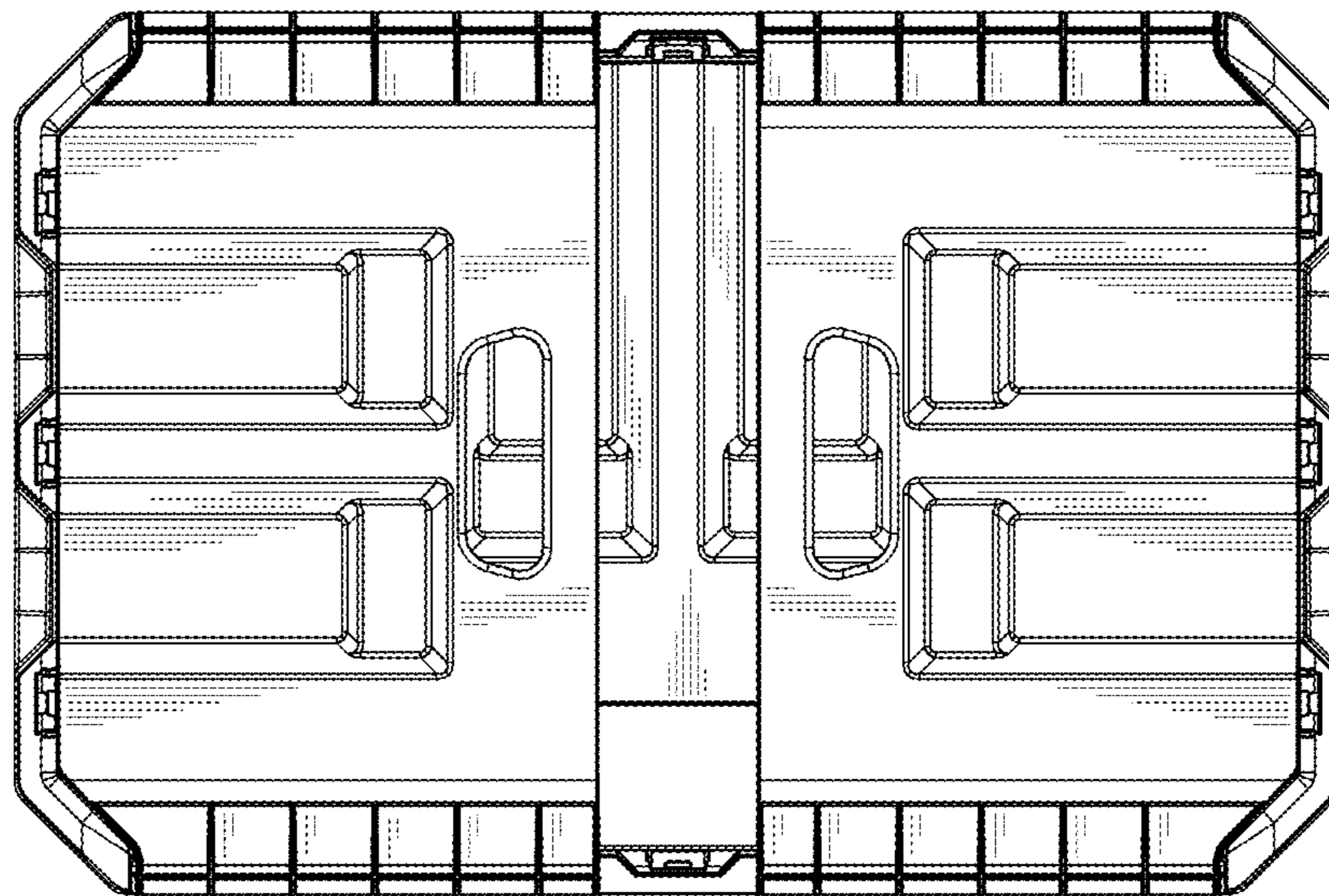


FIG. 11