



US00D844986S

(12) **United States Design Patent**
Zhao

(10) **Patent No.:** **US D844,986 S**
(45) **Date of Patent:** **** Apr. 9, 2019**

(54) **TOOL BOX**

(71) Applicant: **Jianfeng Zhao**, Guangzhou (CN)

(72) Inventor: **Jianfeng Zhao**, Guangzhou (CN)

(**) Term: **15 Years**

(21) Appl. No.: **29/590,672**

(22) Filed: **Jan. 12, 2017**

(30) **Foreign Application Priority Data**

Oct. 11, 2016 (CN) 2016 3 0498360

(51) **LOC (11) Cl.** **03-01**

(52) **U.S. Cl.**
USPC **D3/298; D3/905**

(58) **Field of Classification Search**
USPC D3/203.2, 203.3, 203.6, 205, 273, 279,
D3/276, 284, 294, 302, 901, 903, 905,
D3/298
CPC B25H 3/00; B25H 3/003; B25H 3/006;
B25H 3/02; B25H 3/022
See application file for complete search history.

(56) **References Cited**

U.S. PATENT DOCUMENTS

D434,561 S * 12/2000 Vasudeva D3/282
D475,853 S * 6/2003 Chen D3/294
D532,603 S 11/2006 Chen
D563,671 S * 3/2008 Cornwell D3/294
D578,307 S 10/2008 Chan et al.
D612,152 S * 3/2010 Roesler D3/294
D645,663 S * 9/2011 Henley D3/294

(Continued)

OTHER PUBLICATIONS

Home Depot, "Smart Phone Repair Tool Kit (17-Piece)", First reviewed May 19, 2015. (<https://www.homedepot.com/p/General->

Tools-Smart-Phone-Repair-Tool-Kit-17-Piece-660/205824788?MERCH=REC-_-PIPHorizontal2_rr_-206840493_-205824788_-N).*

Primary Examiner — Jennifer Rivard

Assistant Examiner — April Rivas

(74) *Attorney, Agent, or Firm* — Muncy, Geissler, Olds & Lowe, P.C.

(57) **CLAIM**

The ornamental design for tool box, as shown and described.

DESCRIPTION

FIG. 1 is a perspective view of a tool box in a closed position;

FIG. 2 is a front elevation view of the closed tool box of FIG. 1;

FIG. 3 is a rear elevation view of the closed tool box of FIG. 1;

FIG. 4 is a left-side view of the closed tool box of FIG. 1;

FIG. 5 is a right-side view of the closed tool box of FIG. 1;

FIG. 6 is a top plan view of the closed tool box of FIG. 1;

FIG. 7 is a bottom plan view of the closed tool box of FIG. 1;

FIG. 8 is a perspective view of a tool box in an opened position;

FIG. 9 is a front elevation view of the opened tool box of FIG. 8;

FIG. 10 is a rear elevation view of the opened tool box of FIG. 8;

FIG. 11 is a left-side view of the opened tool box of FIG. 8;

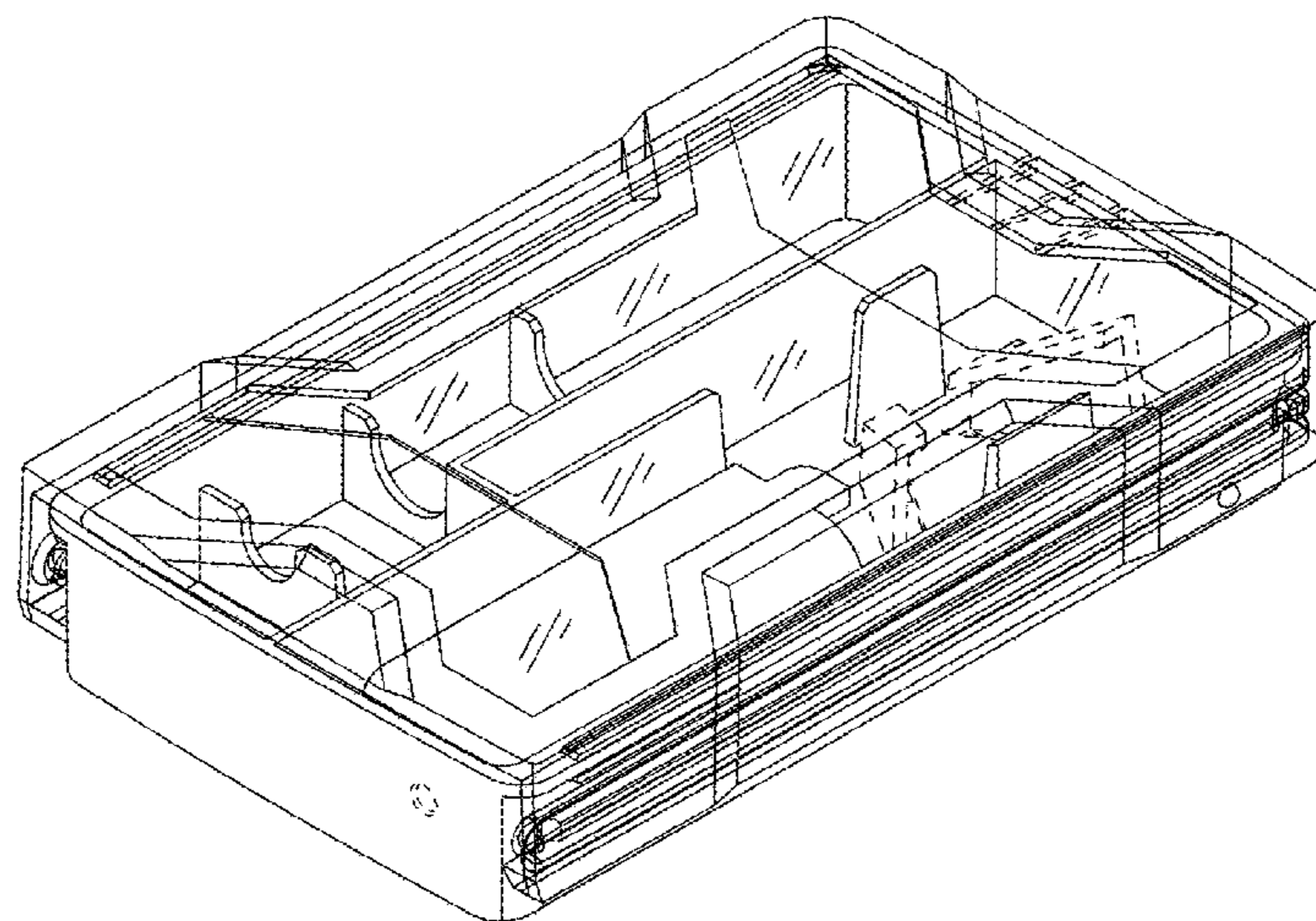
FIG. 12 is a right-side view of the opened tool box of FIG. 8;

FIG. 13 is a top plan view of the opened tool box of FIG. 8;

and,
FIG. 14 is a bottom plan view of the opened tool box of FIG. 8.

The broken lines illustrate portions of the tool box and form no part of the claimed design.

1 Claim, 14 Drawing Sheets



(56)

References Cited

U.S. PATENT DOCUMENTS

| | | | |
|--------------|---------|-----------------|--------|
| D655,503 S * | 3/2012 | Deguglimo | D3/293 |
| D690,934 S * | 10/2013 | Robinson | D3/294 |
| D691,802 S * | 10/2013 | Lin | D3/282 |
| D714,552 S | 10/2014 | Jiang | |
| D715,548 S * | 10/2014 | Chang | D3/294 |
| D721,891 S * | 2/2015 | Ben-Gigi | D3/282 |
| D773,184 S * | 12/2016 | Ko | D3/274 |
| D789,086 S * | 6/2017 | Lin | D3/294 |
| D805,775 S * | 12/2017 | Tsai | D3/298 |

* cited by examiner

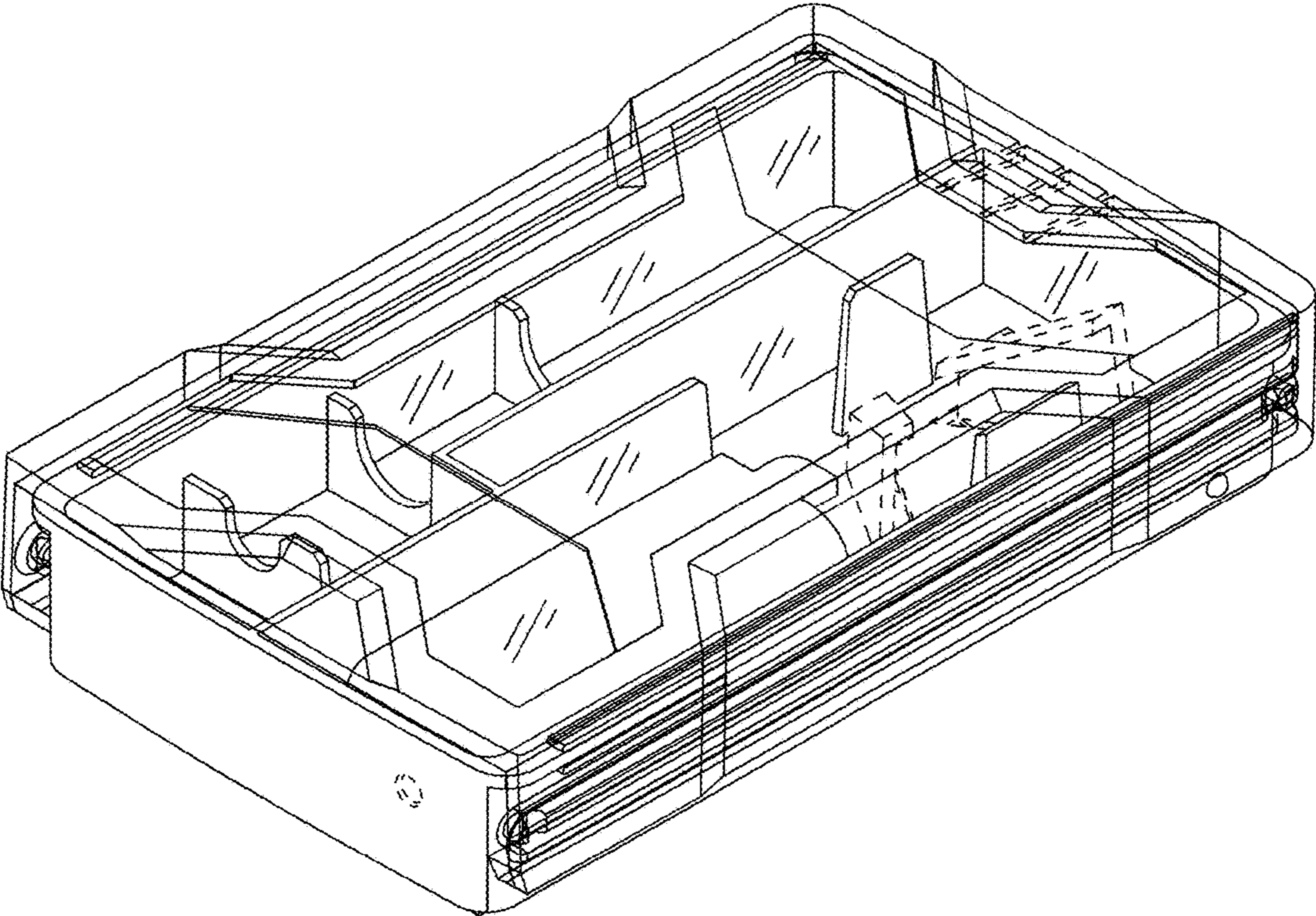


Fig. 1

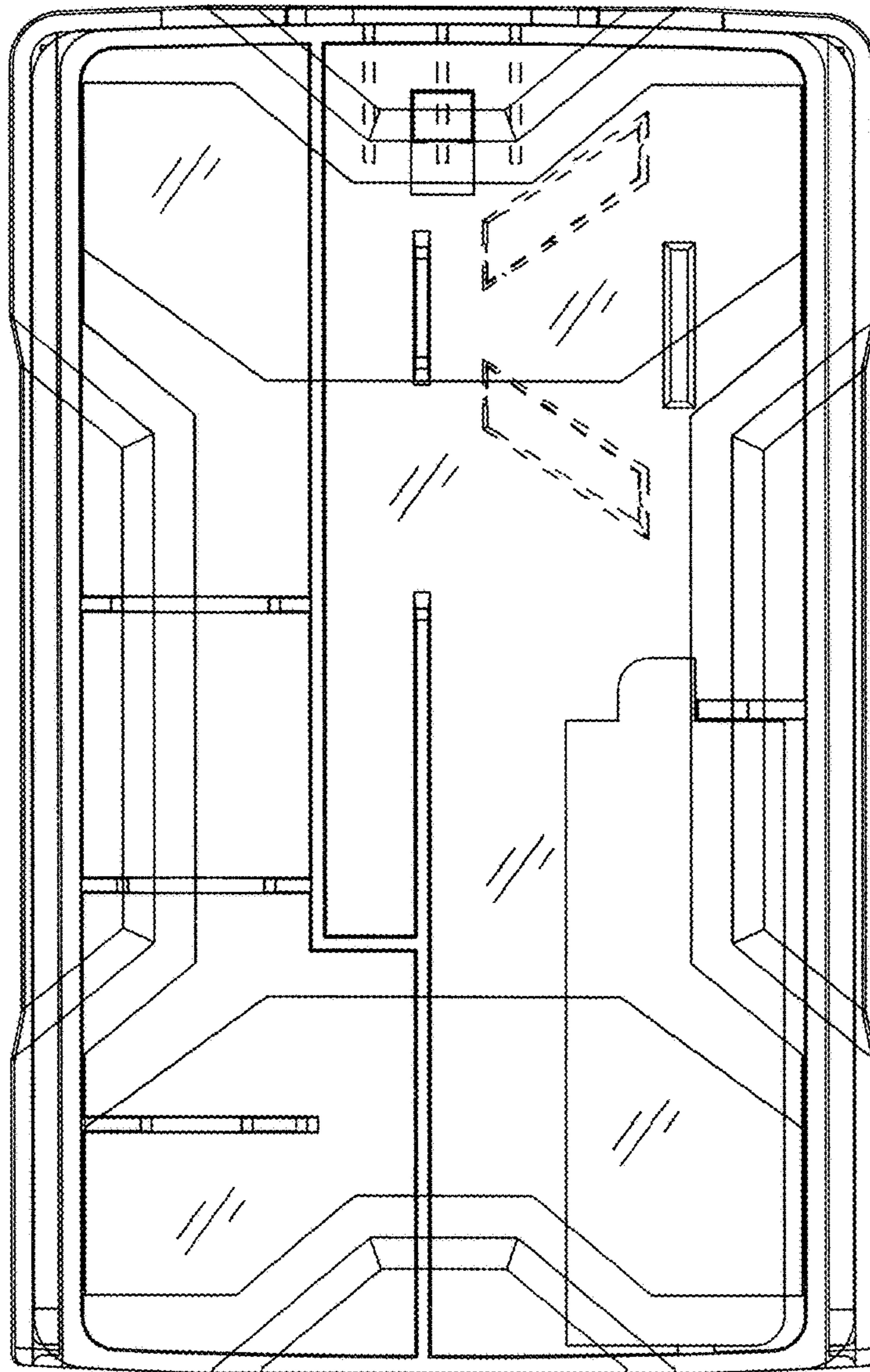


Fig. 2

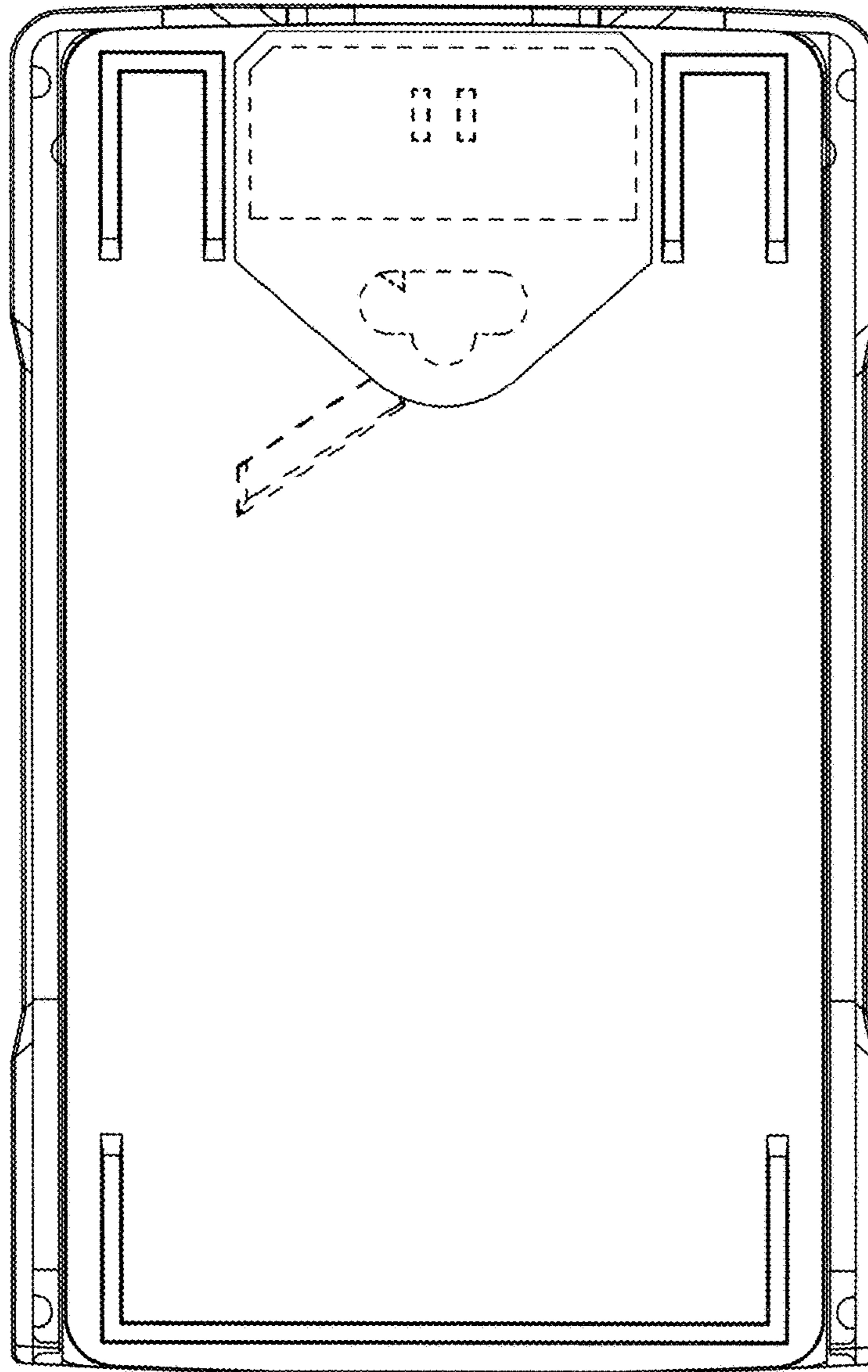


Fig. 3

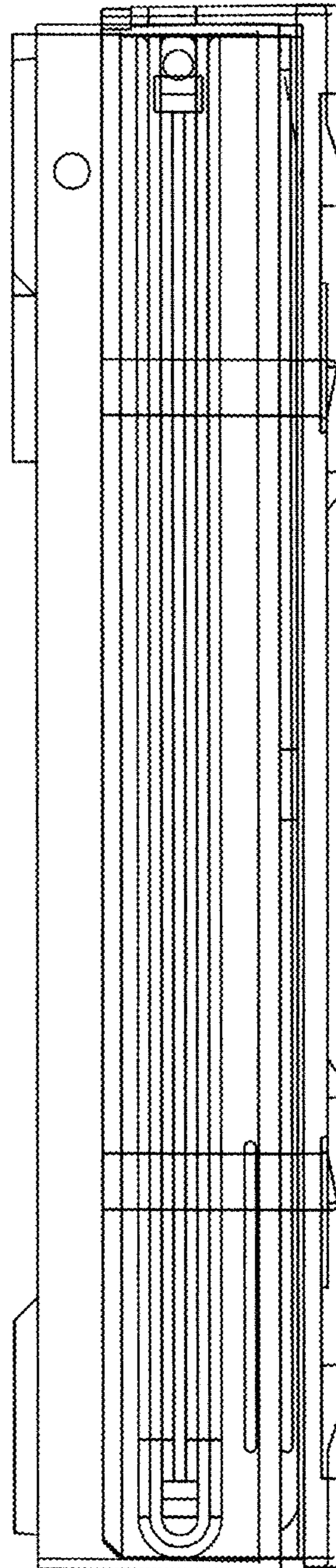


Fig. 4

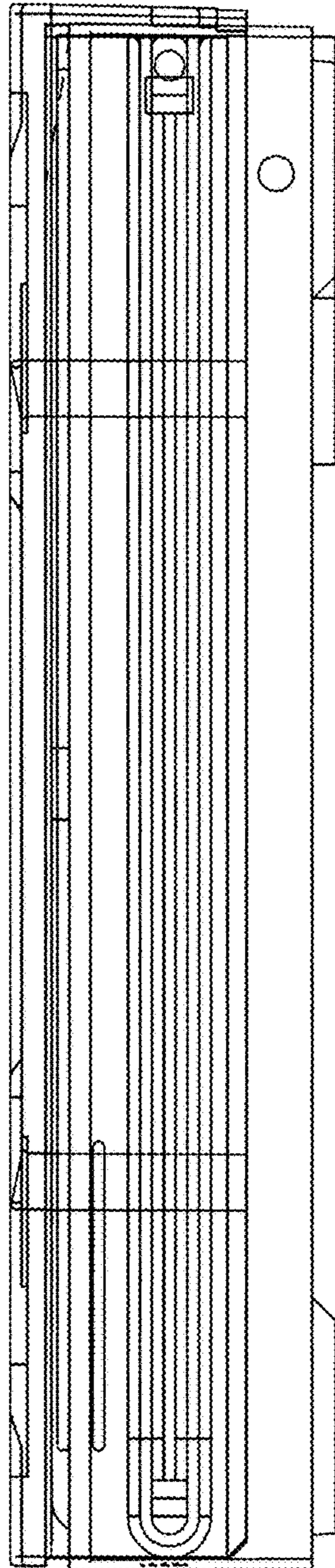


Fig. 5

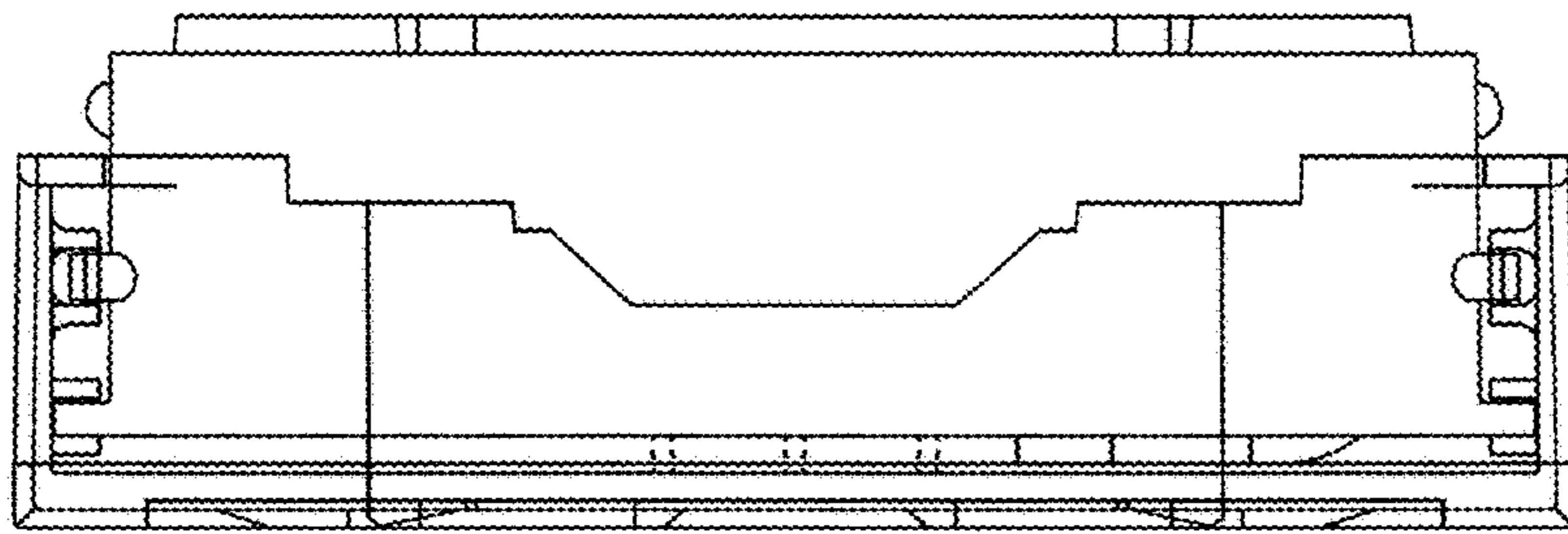


Fig. 6

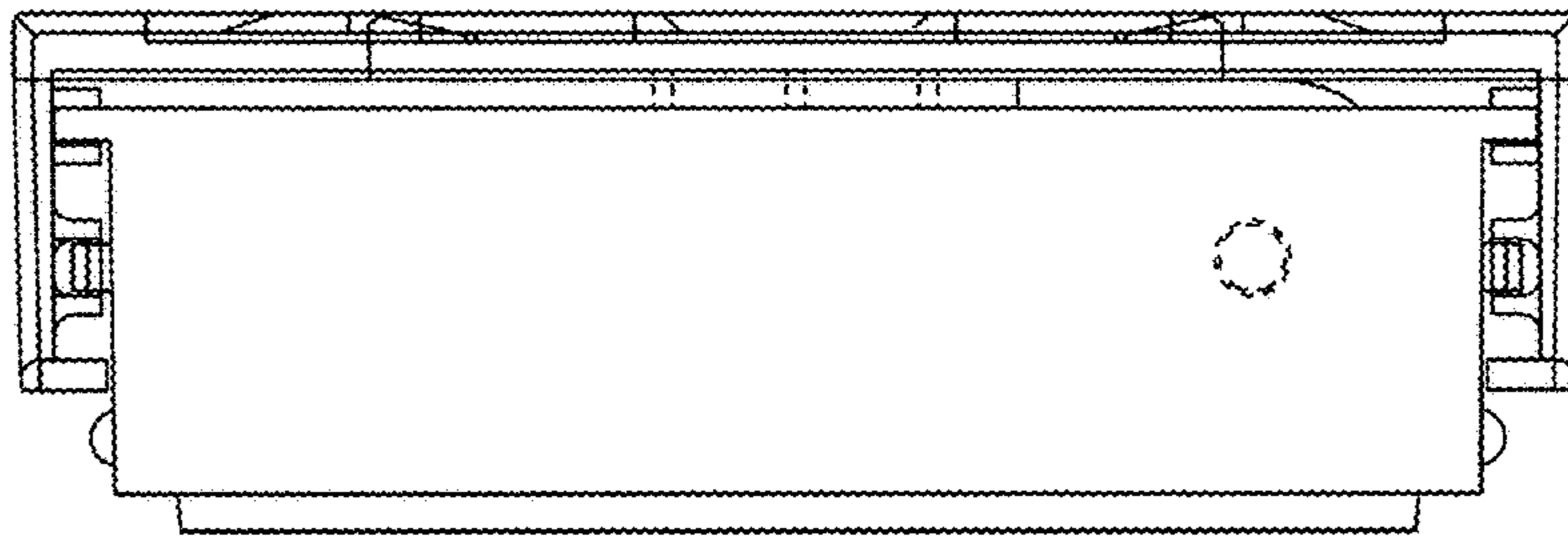


Fig. 7

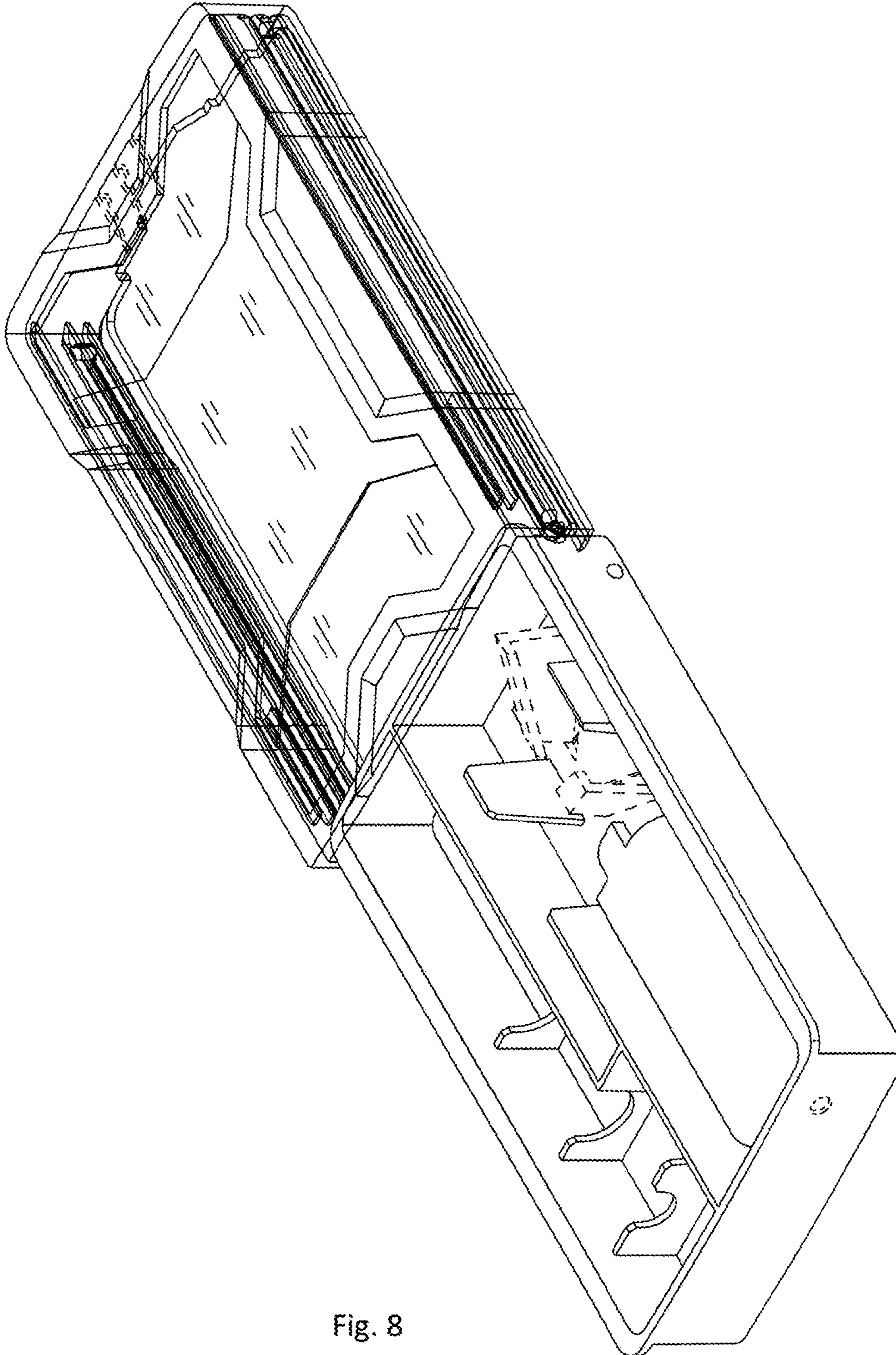


Fig. 8

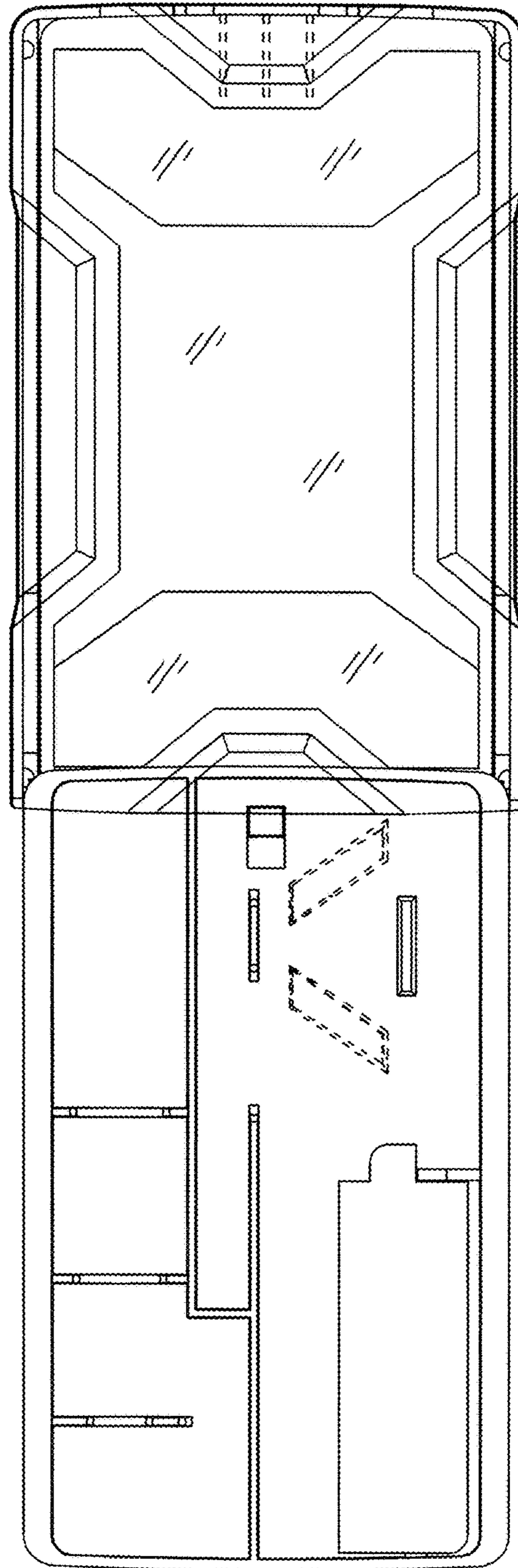


Fig. 9

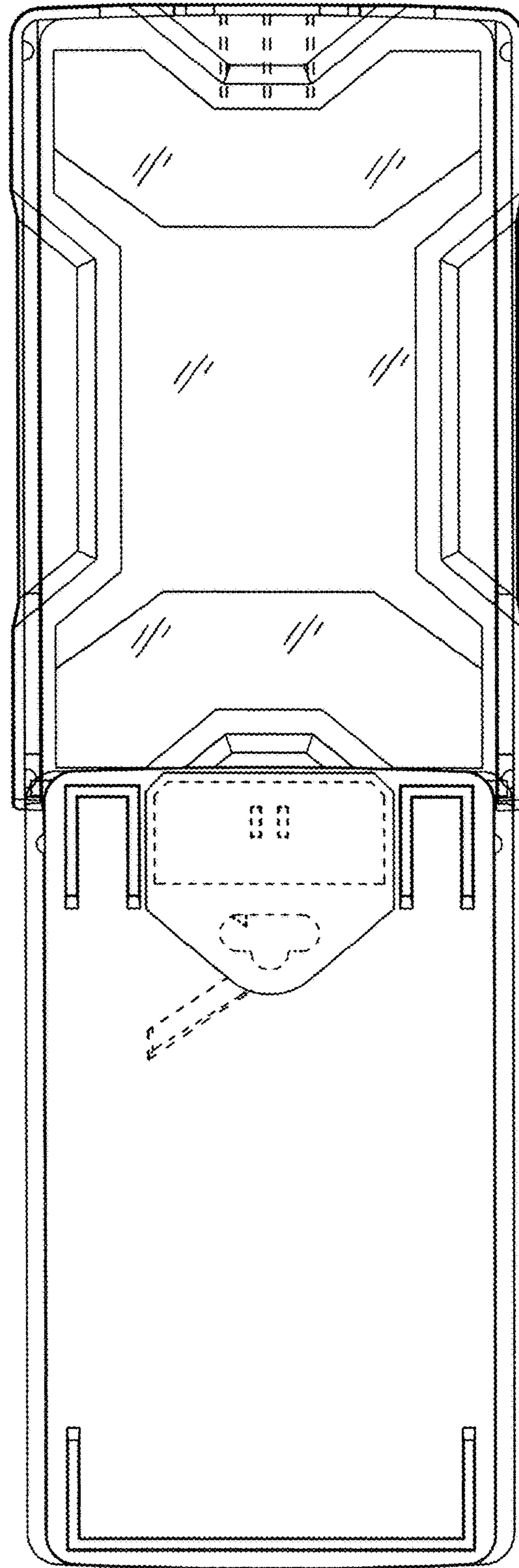


Fig. 10

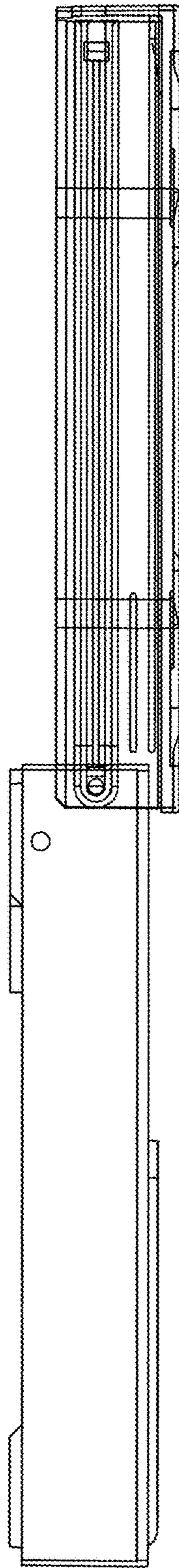


Fig. 11

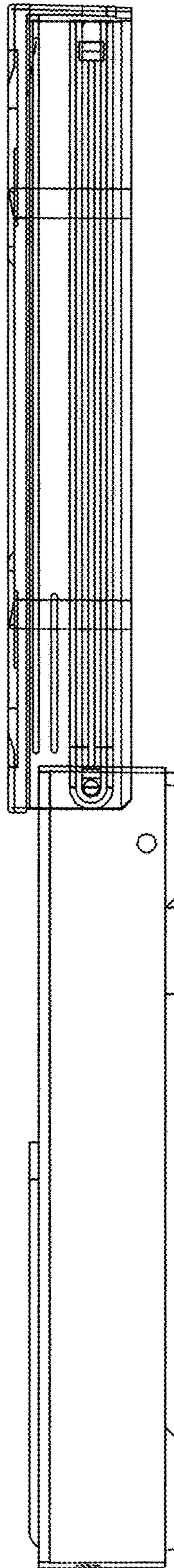


Fig. 12

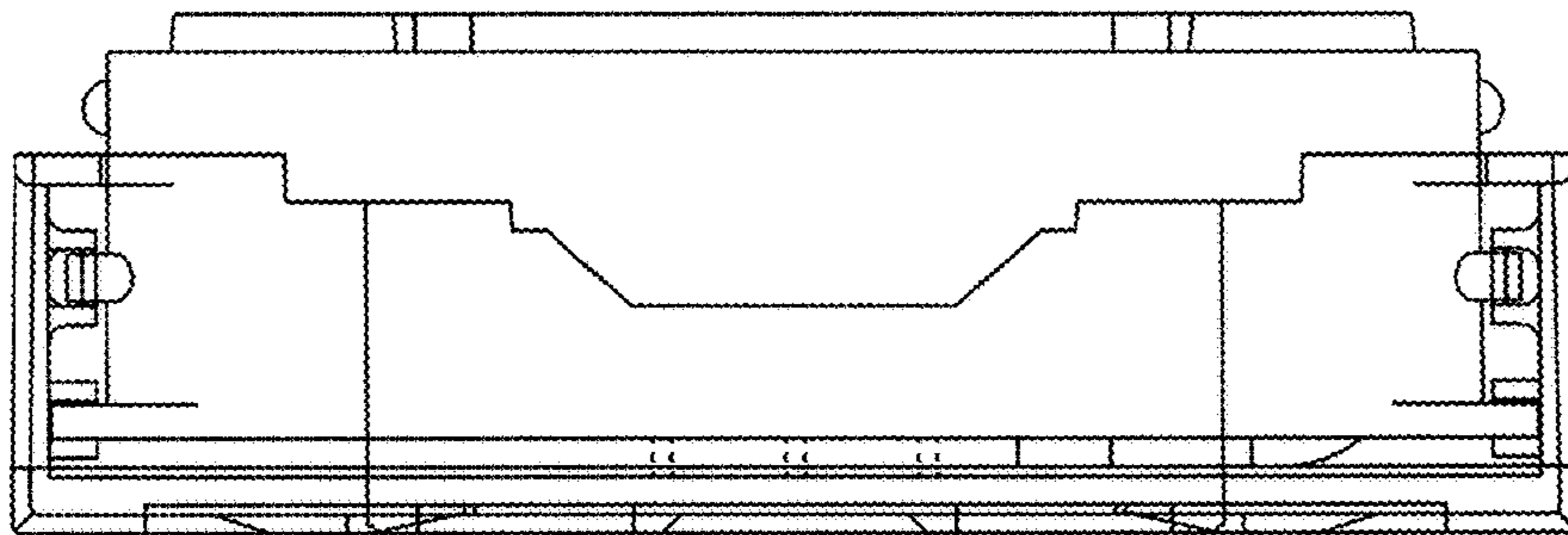


Fig. 13

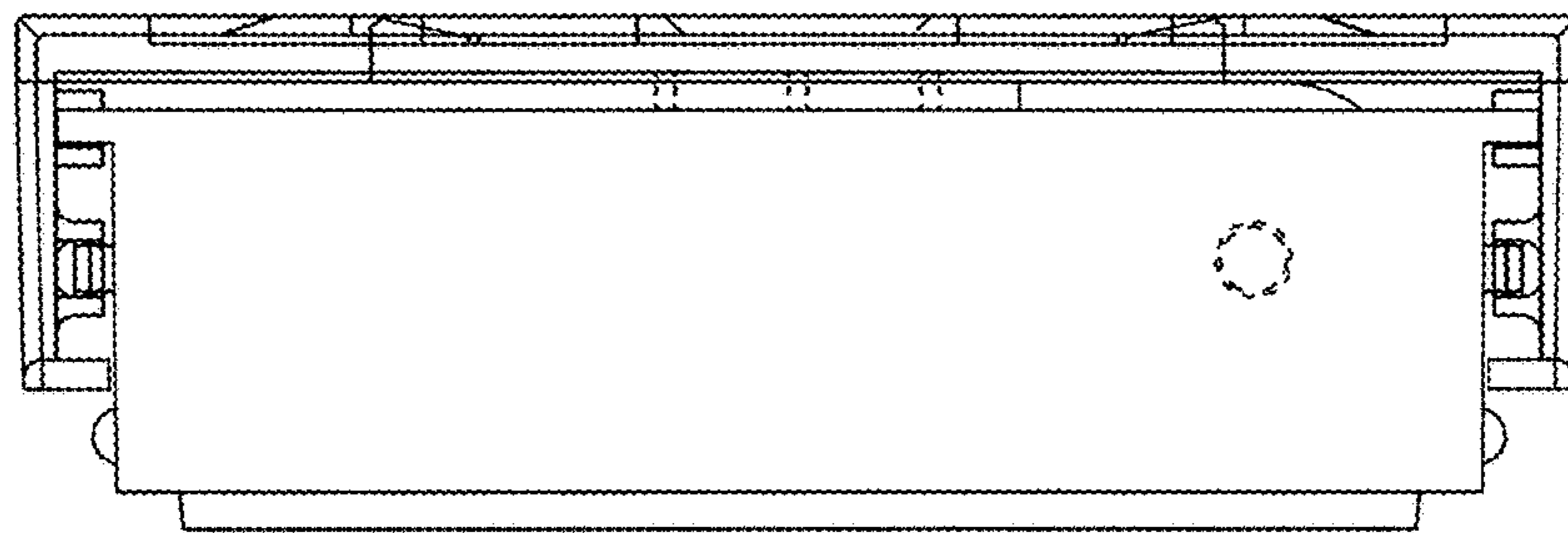


Fig. 14