

US00D844985S

(12) **United States Design Patent** (10) **Patent No.:** **US D844,985 S**
Shelffo (45) **Date of Patent:** **** Apr. 9, 2019**

(54) **DRILL BIT BOX**

(71) Applicant: **Wilmar Corporation**, Renton, WA (US)
(72) Inventor: **Daniel Anthony Shelffo**, Auburn, WA (US)
(73) Assignee: **Wilmar Corporation**, Renton, WA (US)

(**) Term: **15 Years**

(21) Appl. No.: **29/592,113**

(22) Filed: **Jan. 26, 2017**

(51) **LOC (11) Cl.** **03-01**

(52) **U.S. Cl.**
USPC **D3/293; D3/905**

(58) **Field of Classification Search**
USPC D3/203.2, 203.3, 203.6, 273, 279, 276,
D3/284, 294, 302, 905, 274, 281, 282,
D3/283, 295, 293
CPC B25H 3/00; B25H 3/003; B25H 3/006;
B25H 3/02-3/028; A45C 5/00; A45C
13/29

See application file for complete search history.

(56) **References Cited**

U.S. PATENT DOCUMENTS

D400,709 S *	11/1998	Chang	D3/294
D446,651 S *	8/2001	Liao	D3/284
D617,987 S *	6/2010	Wang	D3/294
D645,663 S *	9/2011	Henley	D3/294
D668,874 S *	10/2012	Robinson	D3/293
D714,552 S *	10/2014	Jiang	B25H 3/022
				D3/294
D715,548 S *	10/2014	Chang	D3/294
D778,610 S *	2/2017	Chen	D3/302
D789,086 S *	6/2017	Lin	D3/294
D813,538 S *	3/2018	Gabrielyan	D3/282
2007/0095690 A1 *	5/2007	Nguy	B25H 3/006
				206/372

(Continued)

OTHER PUBLICATIONS

Amazon, "Performance Tool W9040 28Pc Drill Bit & Driver Set", first on sale Aug. 15, 2017, (<https://www.amazon.com/dp/B0741JVMMV>).*

Primary Examiner — Jennifer Rivard

Assistant Examiner — April Rivas

(74) *Attorney, Agent, or Firm* — Baumgartner Patent Law; Marc Baumgartner

(57) **CLAIM**

The ornamental design for a drill bit box, as shown and described.

DESCRIPTION

FIG. 1 is a top front perspective view of the drill bit box showing the sliding tab recessed;

FIG. 2 is a top front perspective view of the drill bit box showing the sliding tab exposed and with the broken lines showing drill bits, being for the purpose of illustrating environment and forms no part of the claimed design;

FIG. 3: is a bottom rear perspective view of the drill bit box of FIG. 1;

FIG. 4: is a bottom rear perspective view of the drill bit box of FIG. 1 with the broken lines showing drill bits, being for the purpose of illustrating environment and forms no part of the claimed design;

FIG. 5: is a front view of the drill bit box of FIG. 1;

FIG. 6: is a rear view of the drill bit box of FIG. 1;

FIG. 7: is a left-side view of the drill bit box of FIG. 1;

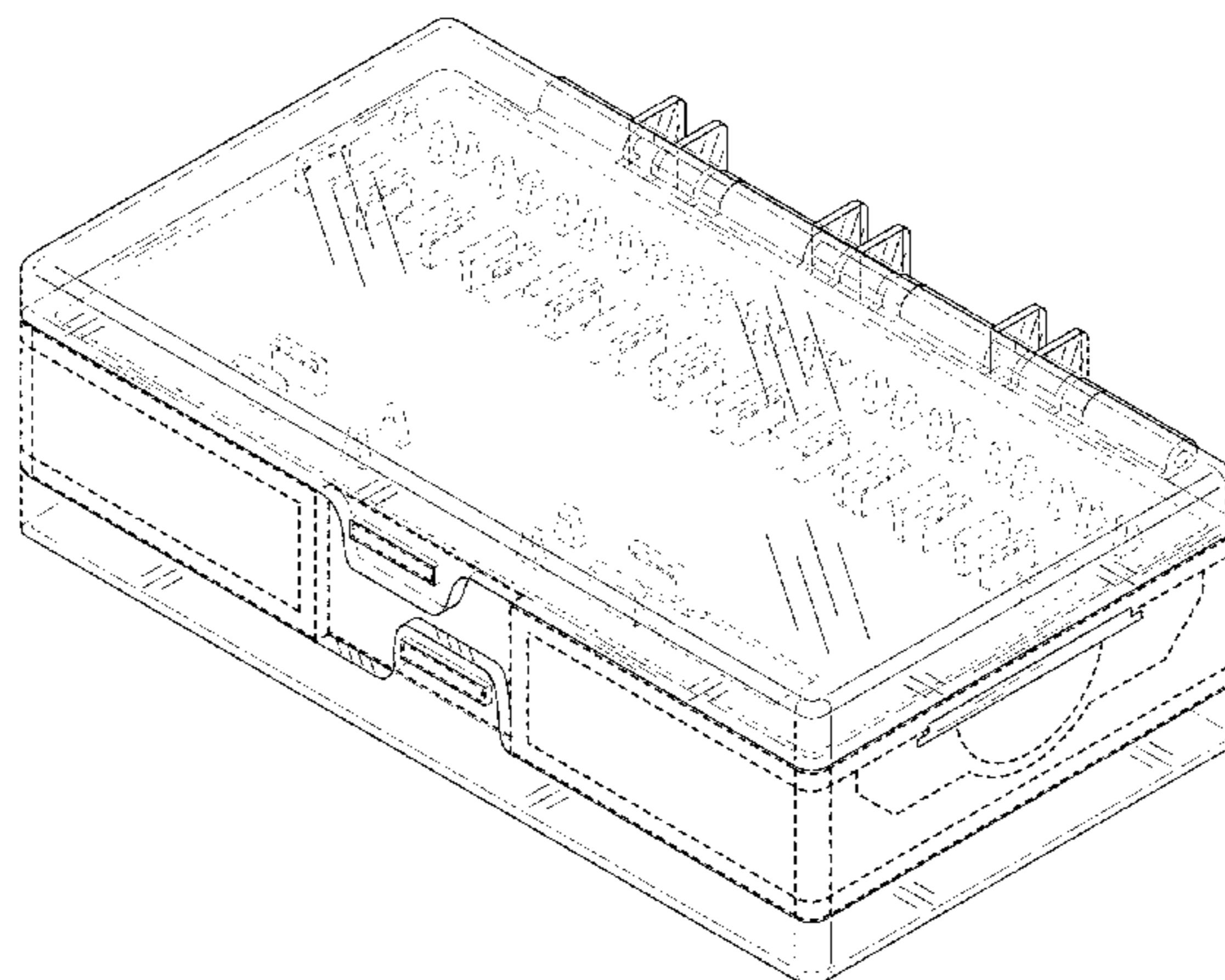
FIG. 8: is a right-side view of the drill bit box of FIG. 1;

FIG. 9: is a top view of the drill bit box of FIG. 1; and,

FIG. 10: is a bottom view of the drill bit box of FIG. 1.

The broken lines illustrating drill bits in FIGS. 2 and 4 represent environment and form no part of the claimed design. The remaining broken lines illustrate portions of the drill bit box and form no part of the claimed design.

1 Claim, 8 Drawing Sheets



(56)

References Cited

U.S. PATENT DOCUMENTS

2013/0126542 A1* 5/2013 Lorek B25H 3/021
220/810

* cited by examiner

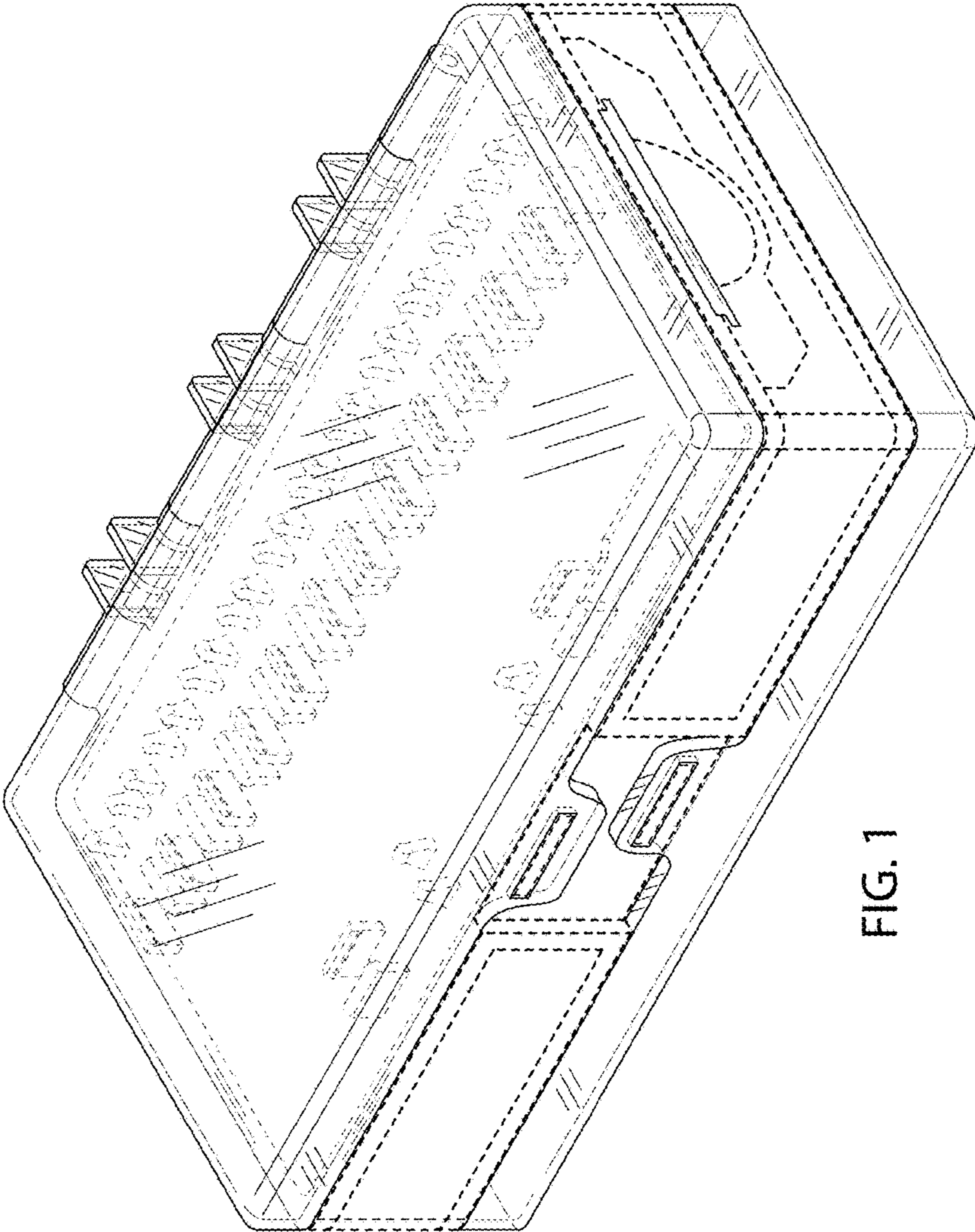


FIG. 1

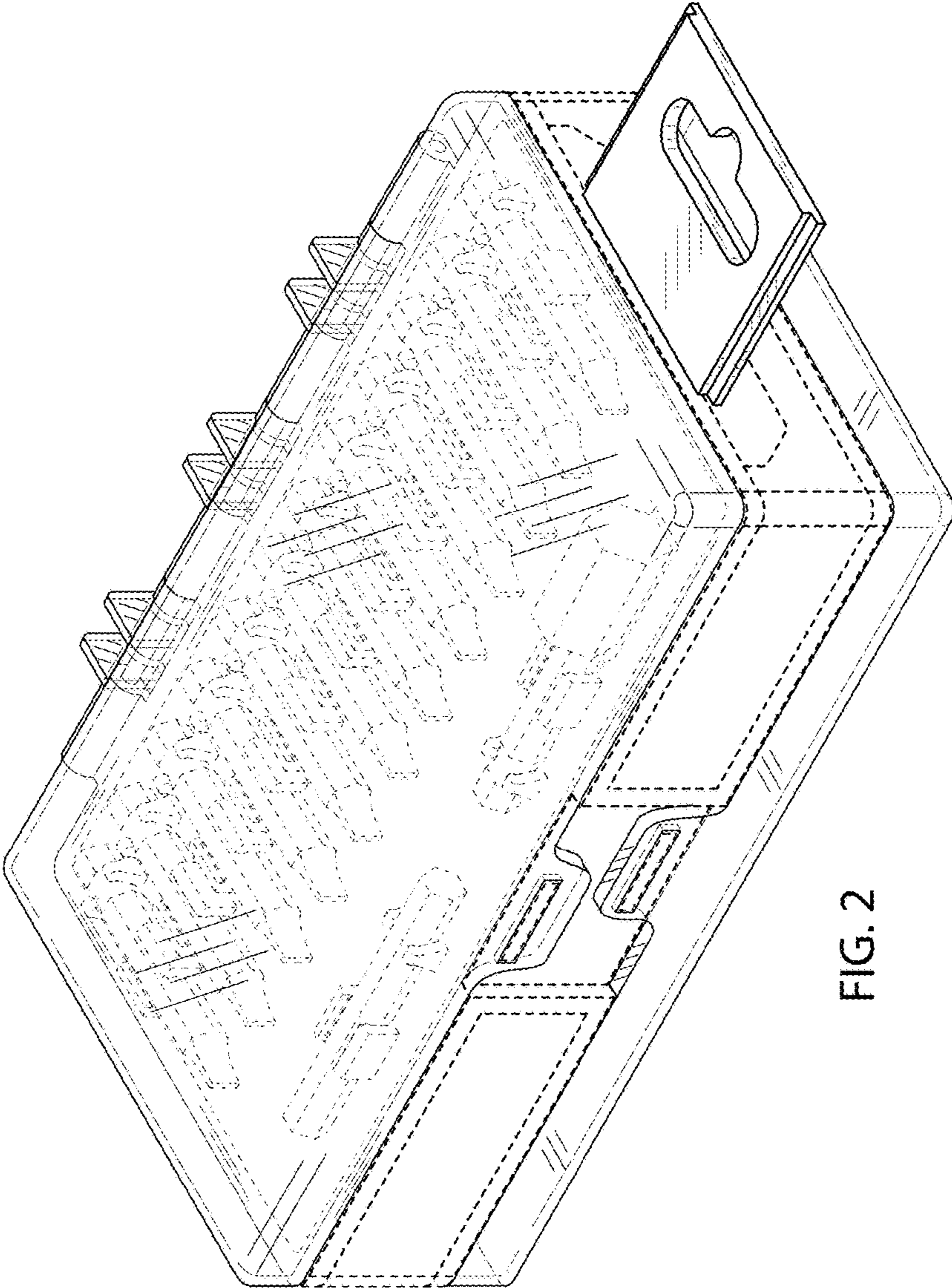


FIG. 2

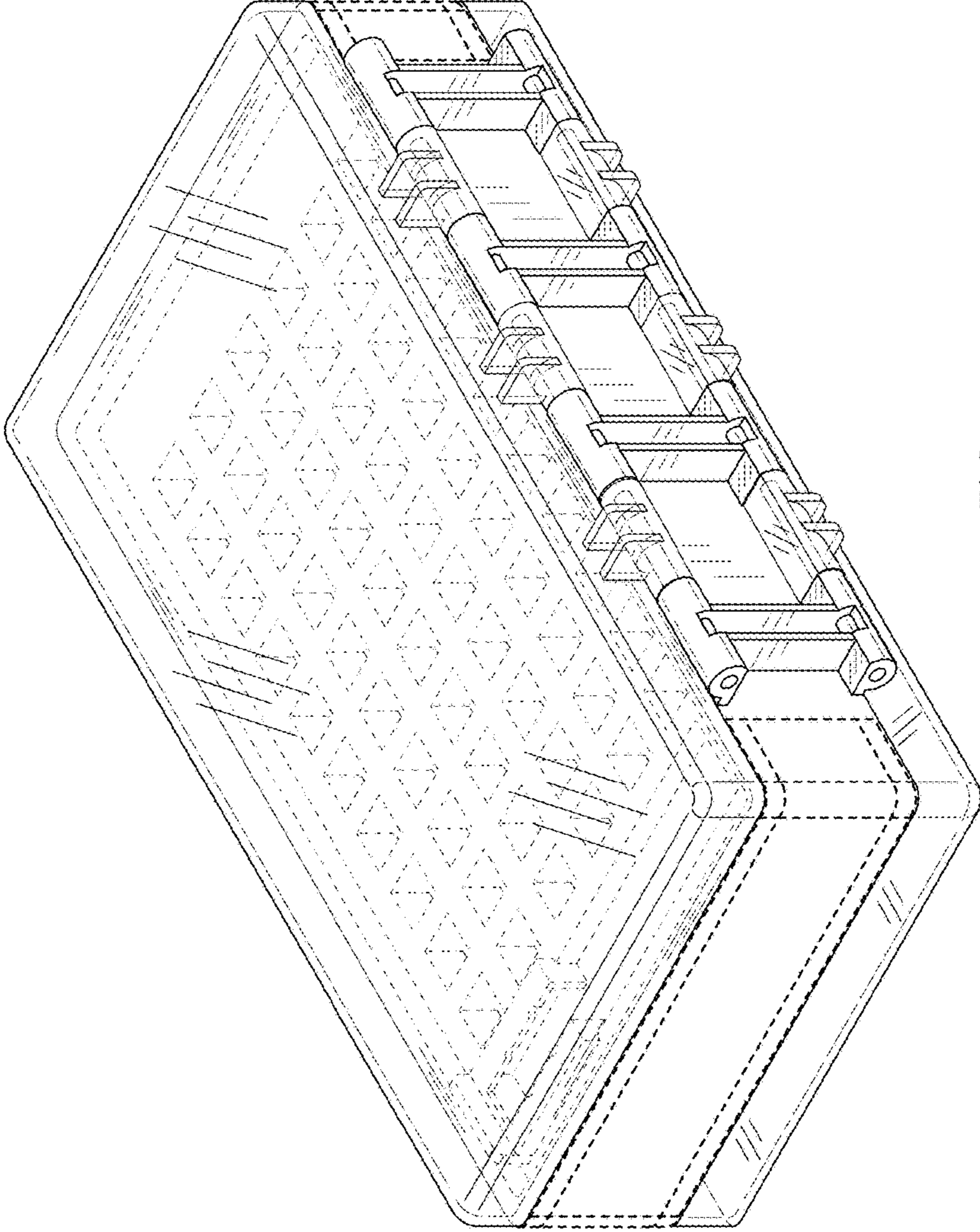


FIG. 3

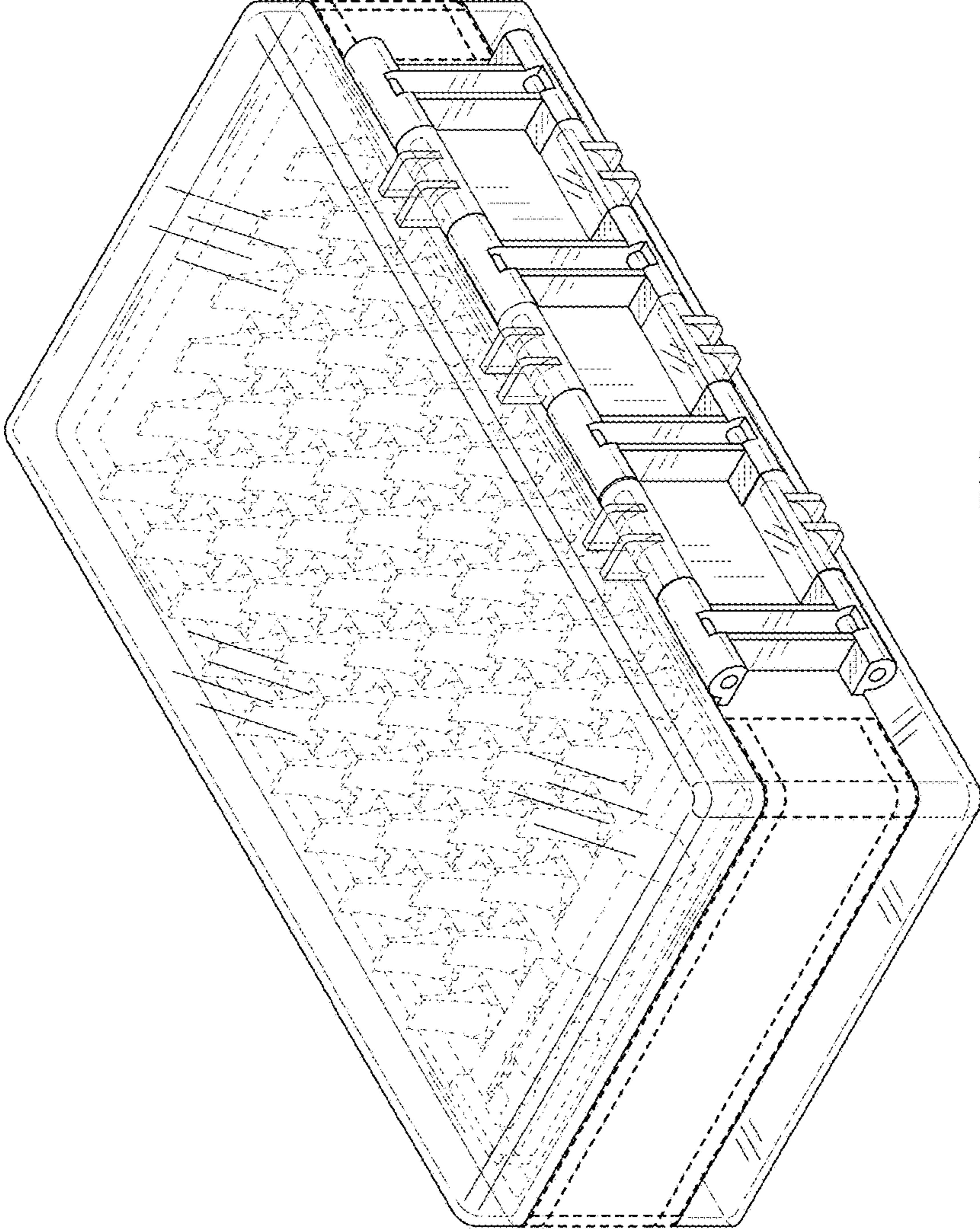


FIG. 4

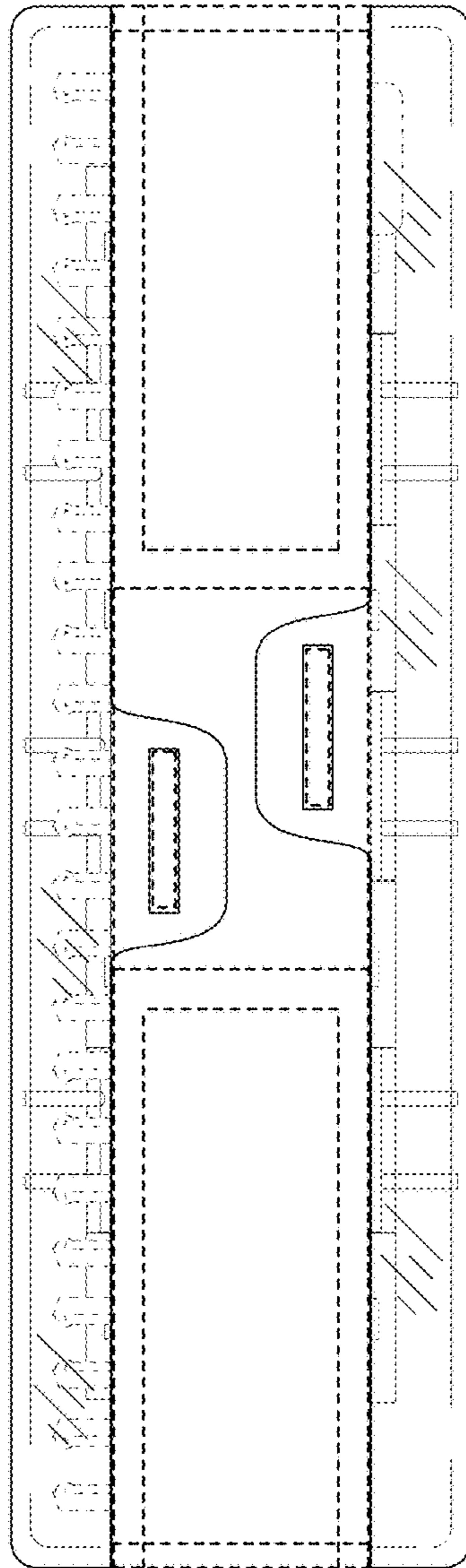


FIG. 5

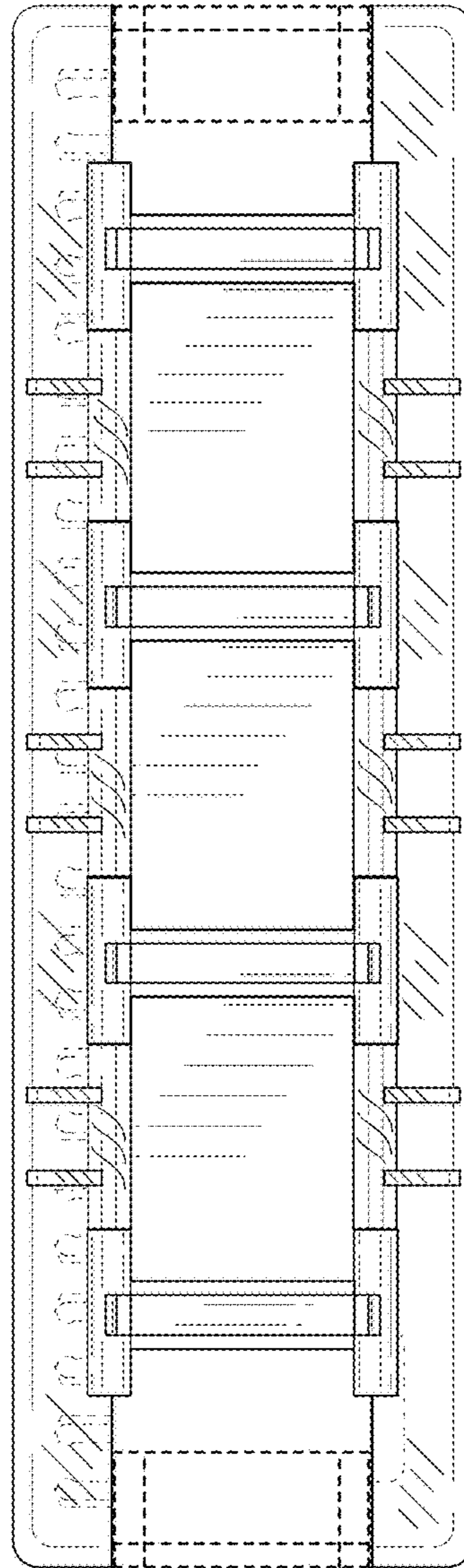


FIG. 6

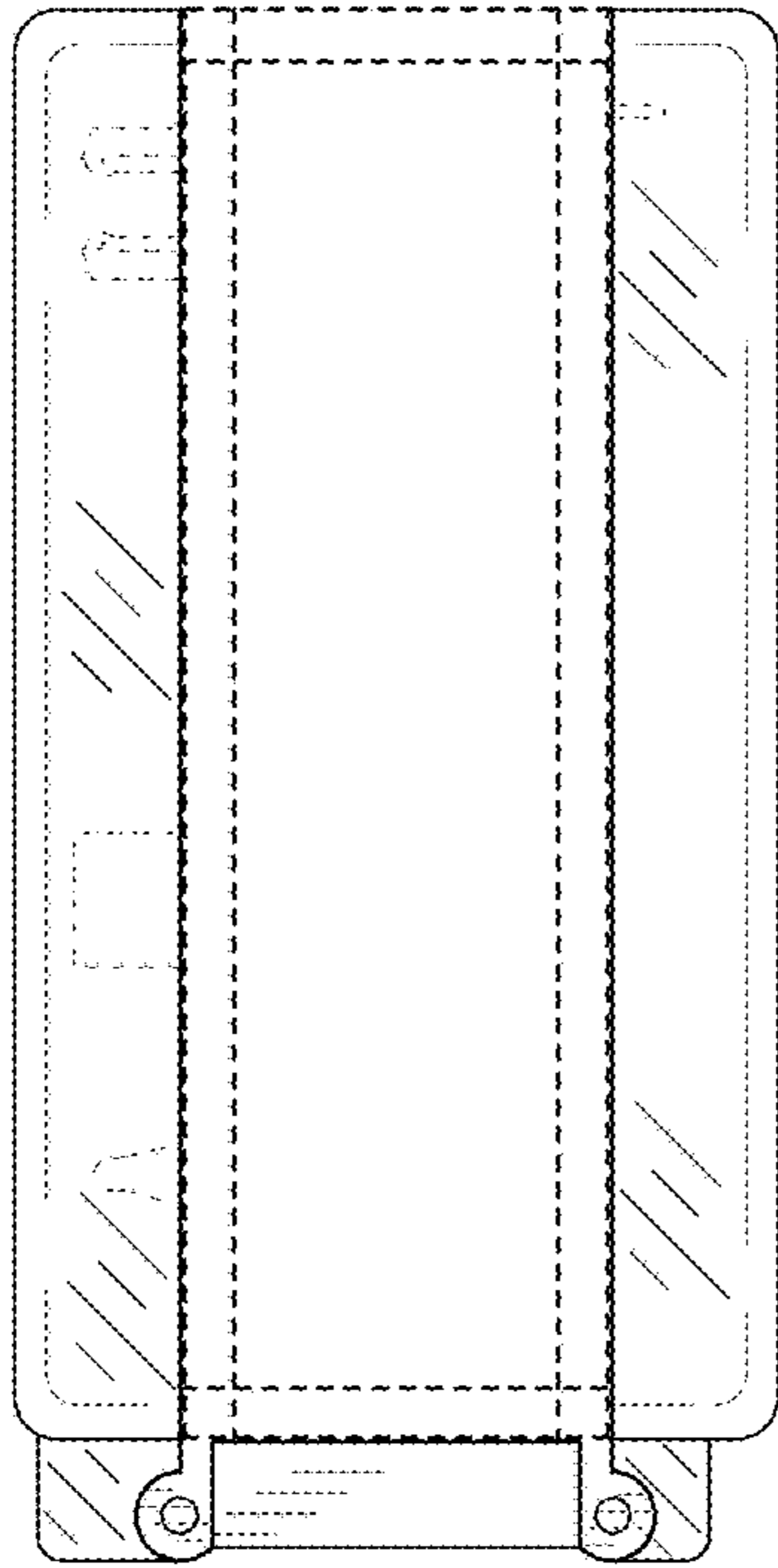


FIG. 7

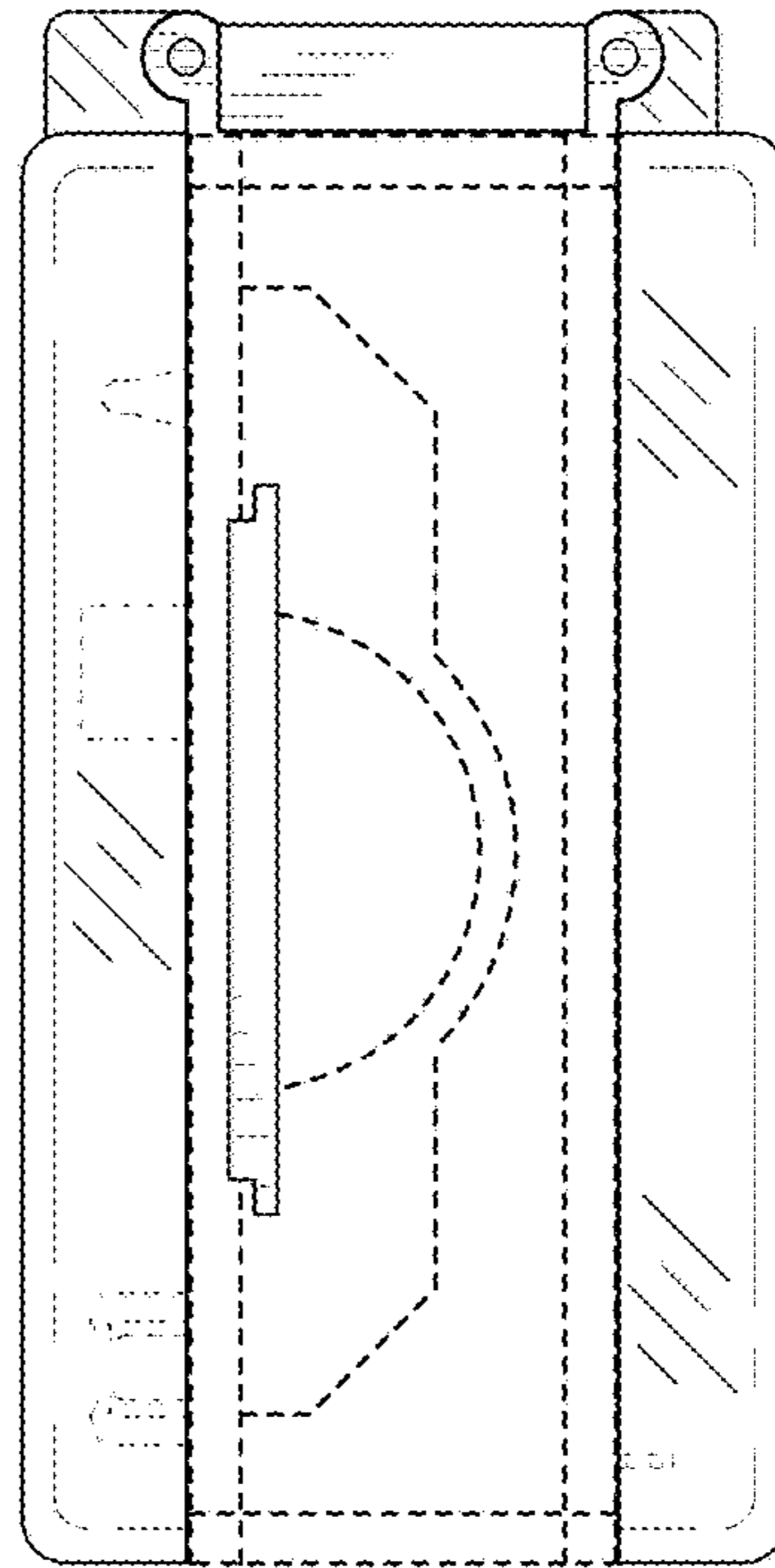


FIG. 8

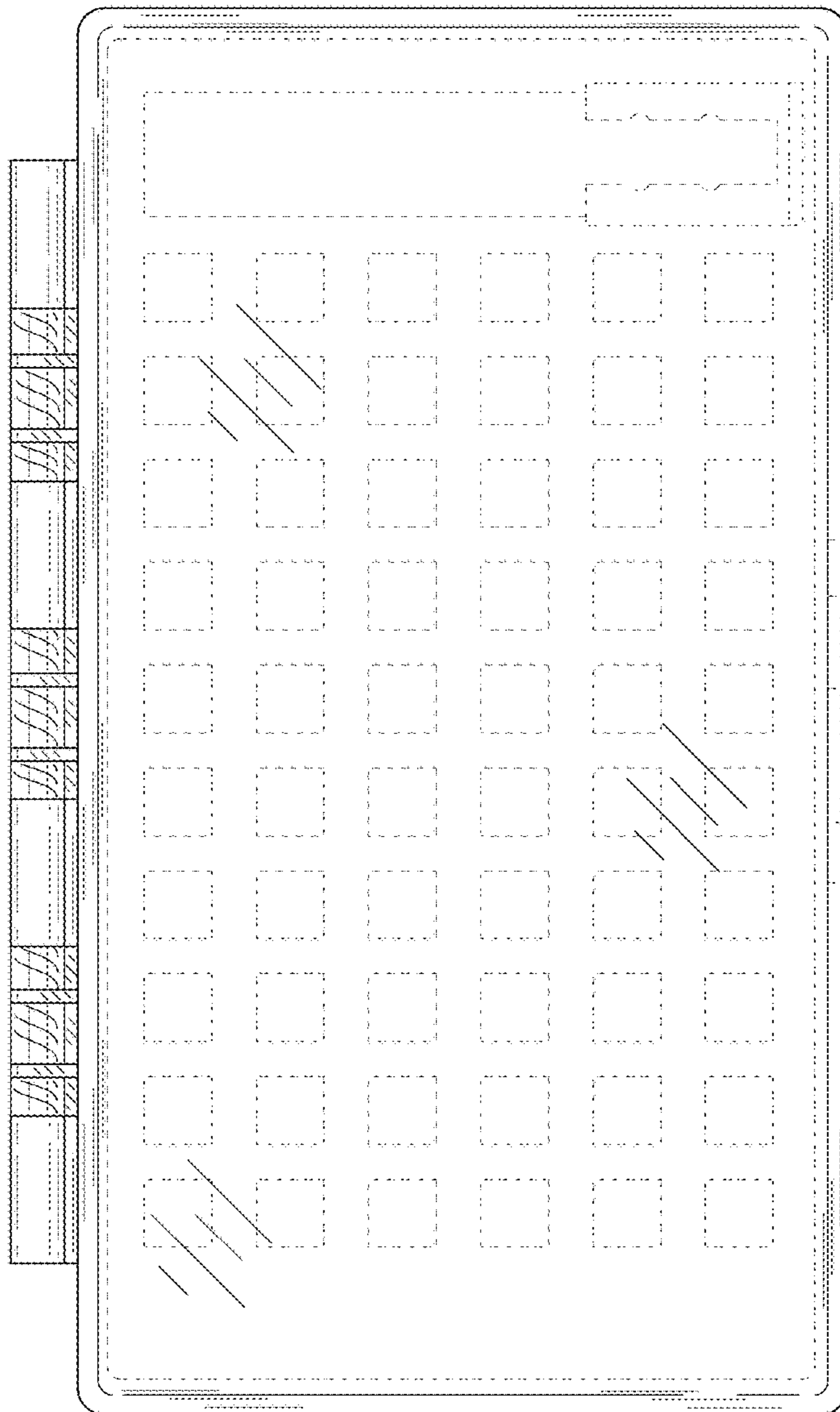


FIG. 10