



US00D844981S

(12) **United States Design Patent** (10) **Patent No.:** **US D844,981 S**
Vevers et al. (45) **Date of Patent:** **** Apr. 9, 2019**

(54) **HAND BAG**

(56) **References Cited**

(71) Applicant: **Coach IP Holdings LLC**, New York, NY (US)

U.S. PATENT DOCUMENTS

(72) Inventors: **Stuart Vevers**, New York, NY (US);
Hae Young Kim, New York, NY (US)

D707,963 S * 7/2014 Szewczyk D3/232
D730,643 S * 6/2015 Langer D3/232
D751,286 S * 3/2016 Maier D3/232
D768,379 S * 10/2016 Luo D3/232

(73) Assignee: **Coach IP Holdings, LLC**, New York, NY (US)

* cited by examiner

(**) Term: **15 Years**

Primary Examiner — Holly H Baynham

(21) Appl. No.: **29/642,531**

(74) *Attorney, Agent, or Firm* — Honigman LLP

(22) Filed: **Mar. 30, 2018**

(57) **CLAIM**

The ornamental design for a hand bag, as shown and described.

Related U.S. Application Data

DESCRIPTION

(62) Division of application No. 29/593,834, filed on Feb. 13, 2017.

(51) **LOC (11) Cl.** **03-01**

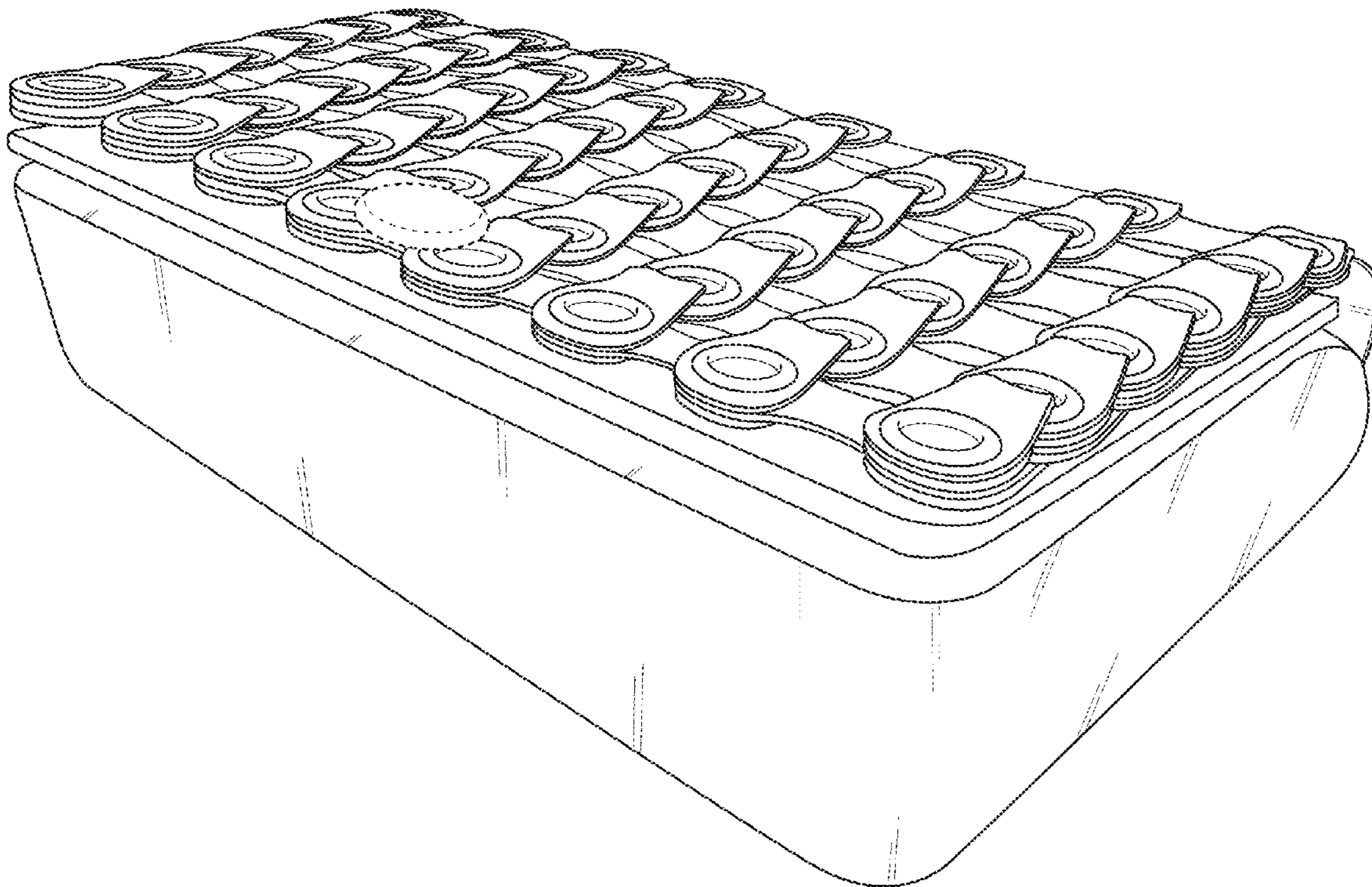
(52) **U.S. Cl.**
USPC **D3/243**

(58) **Field of Classification Search**
USPC D3/232–233, 240–243, 245–246
CPC A45C 1/024; A45C 3/06
See application file for complete search history.

FIG. 1 is a front-bottom perspective view of a hand bag, showing our new design;
FIG. 2 is a rear-top perspective thereof;
FIG. 3 is a front view thereof;
FIG. 4 is a rear view thereof.
FIG. 5 is a top plan view thereof;
FIG. 6 is a bottom plan view thereof;
FIG. 7 is a right side view thereof; and,
FIG. 8 is a left side view thereof.

The dashed lines in the drawings depict portions of the design that form no part of the claim.

1 Claim, 8 Drawing Sheets



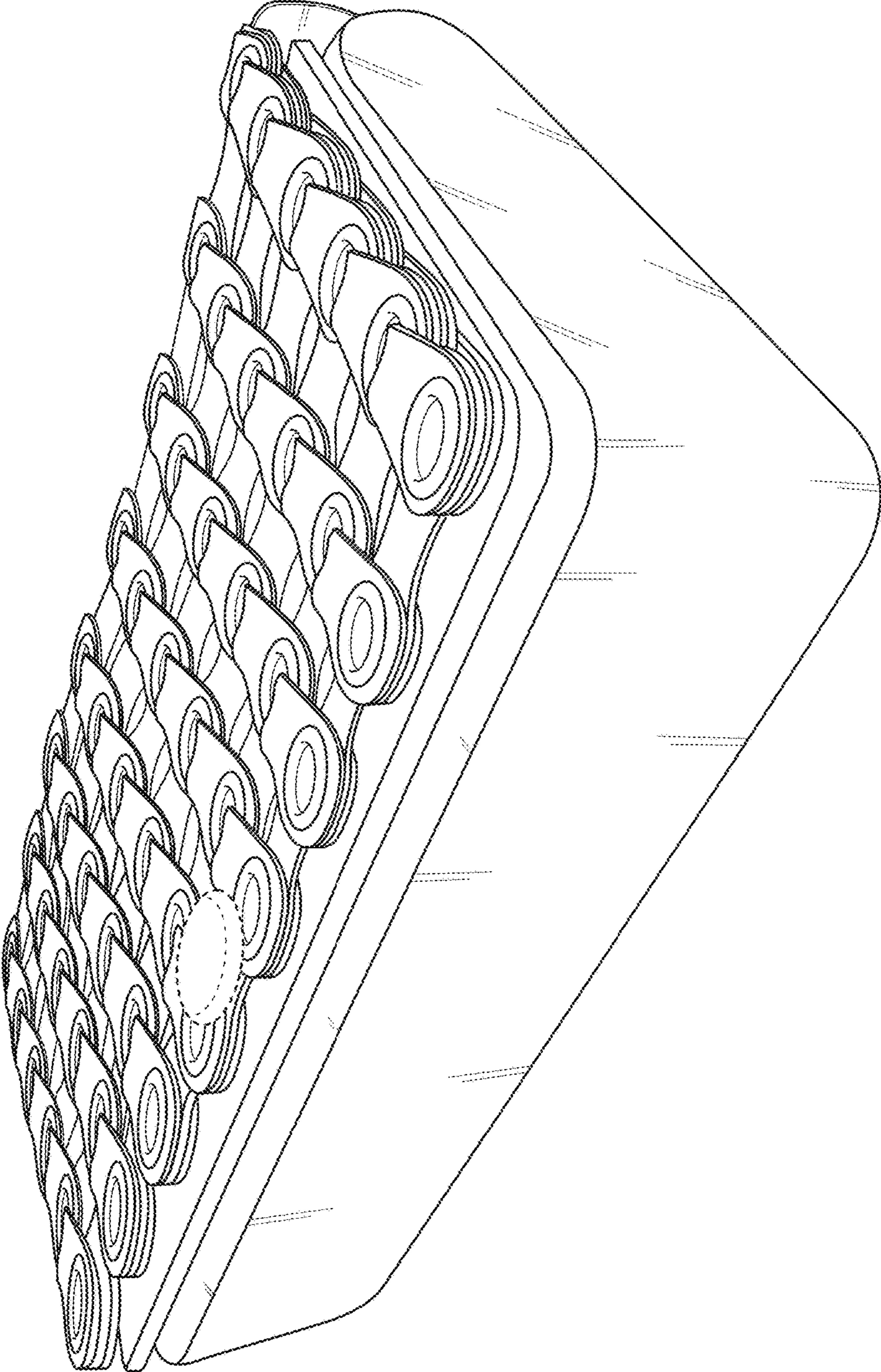


FIG. 1

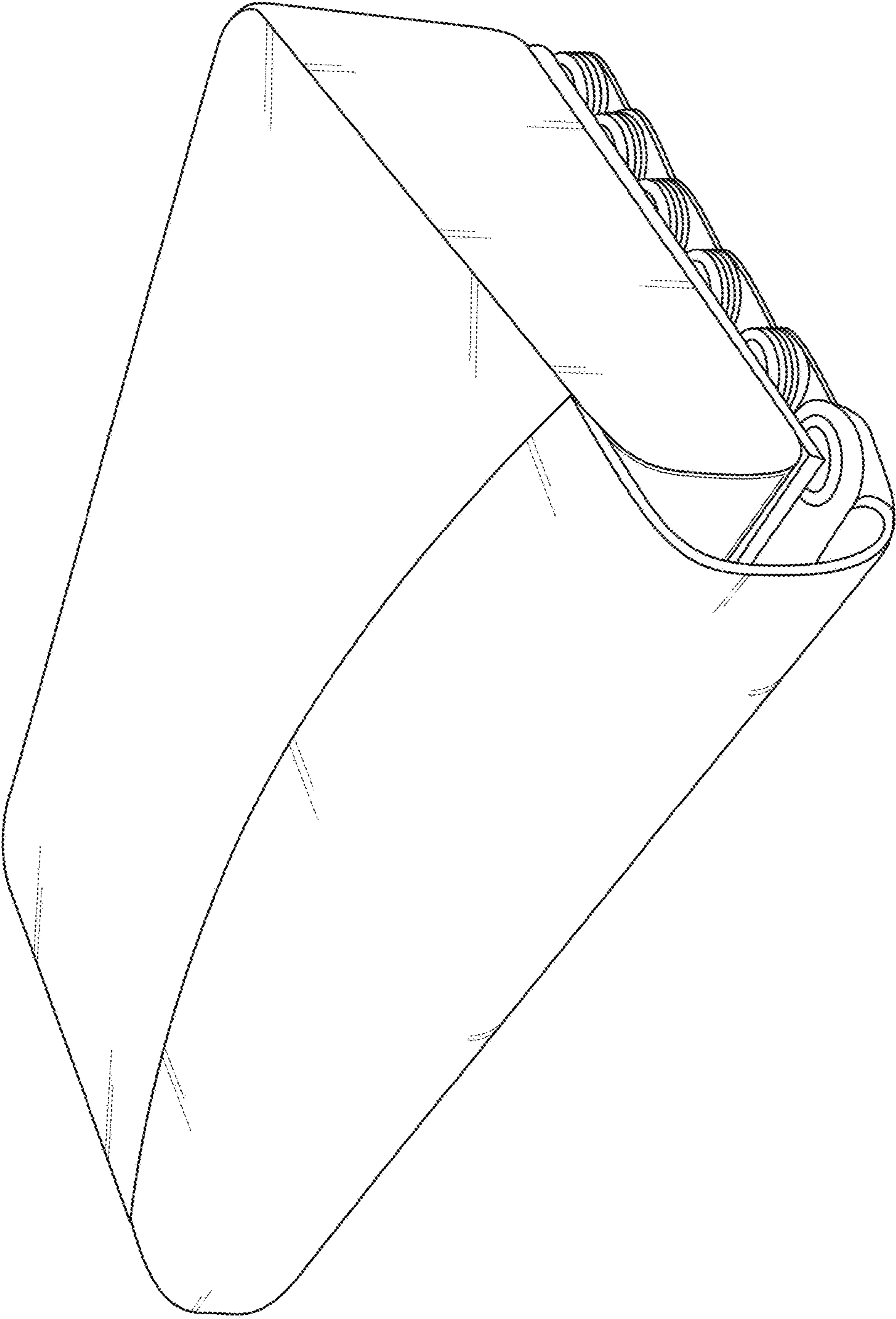


FIG. 2

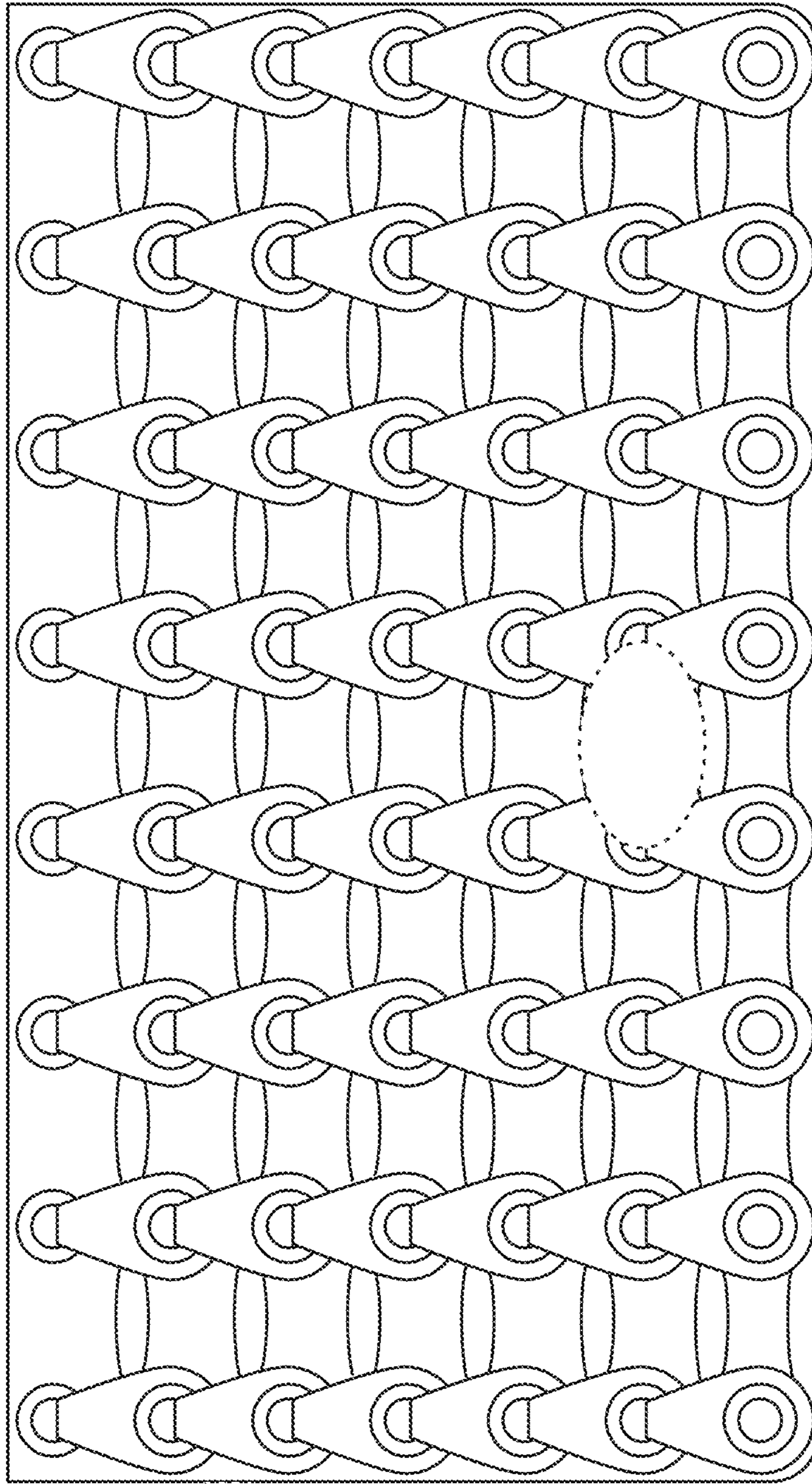


FIG. 3

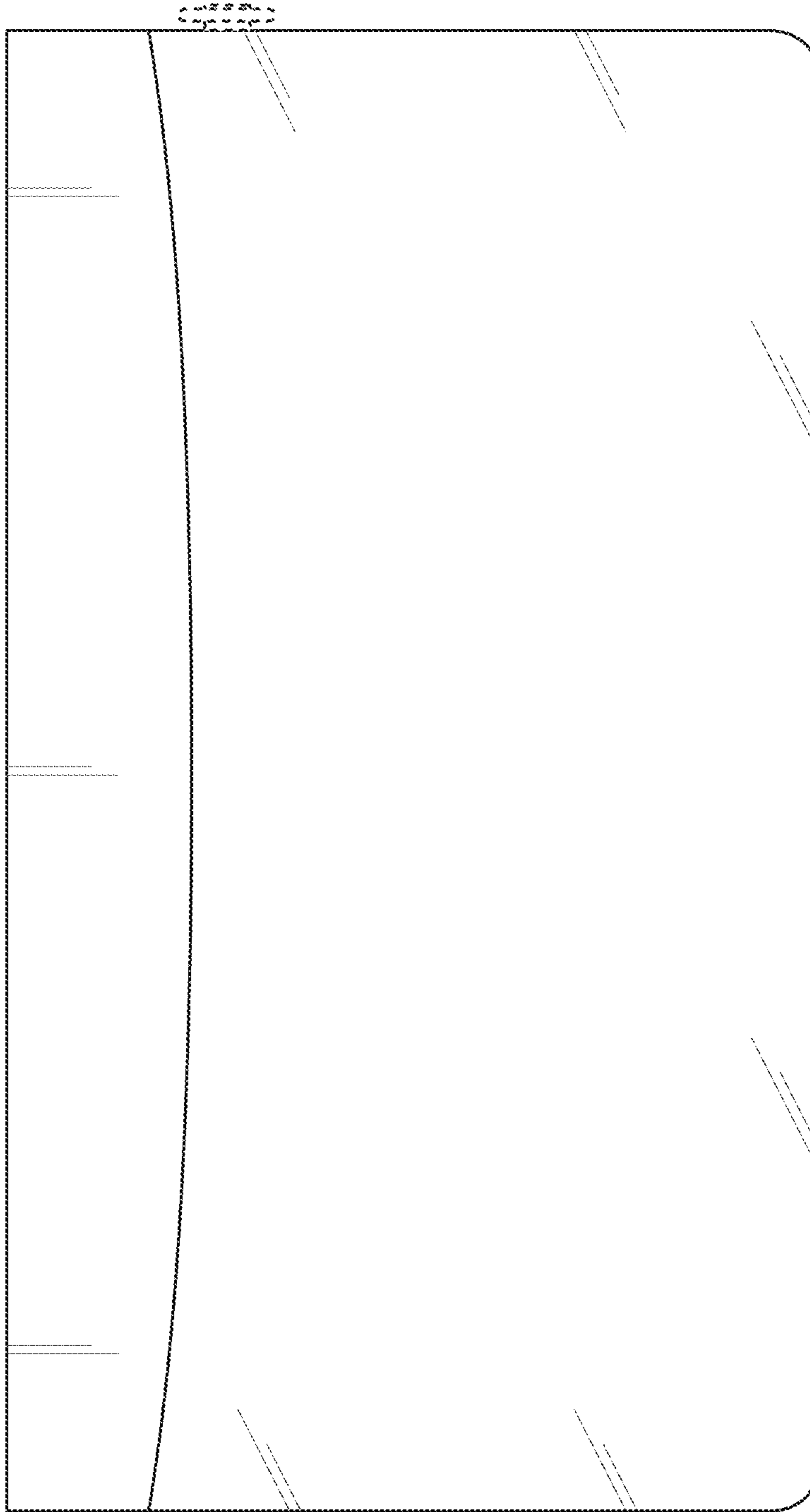


FIG. 4

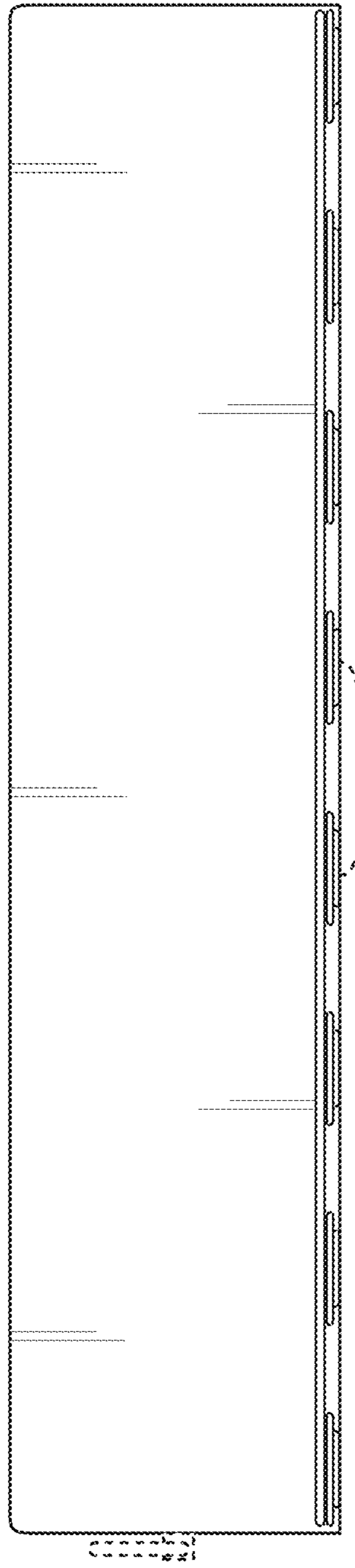


FIG. 5

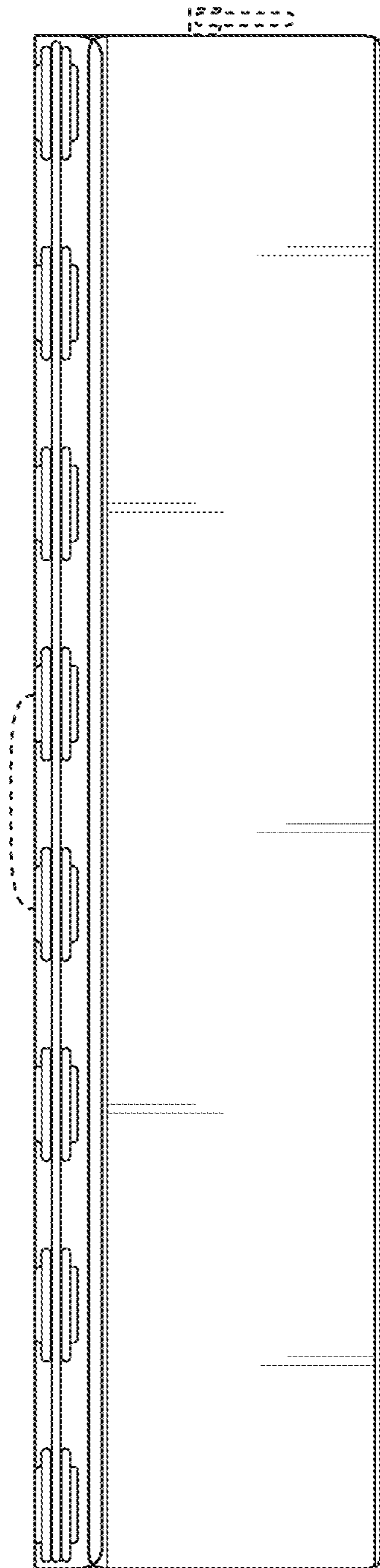


FIG. 6

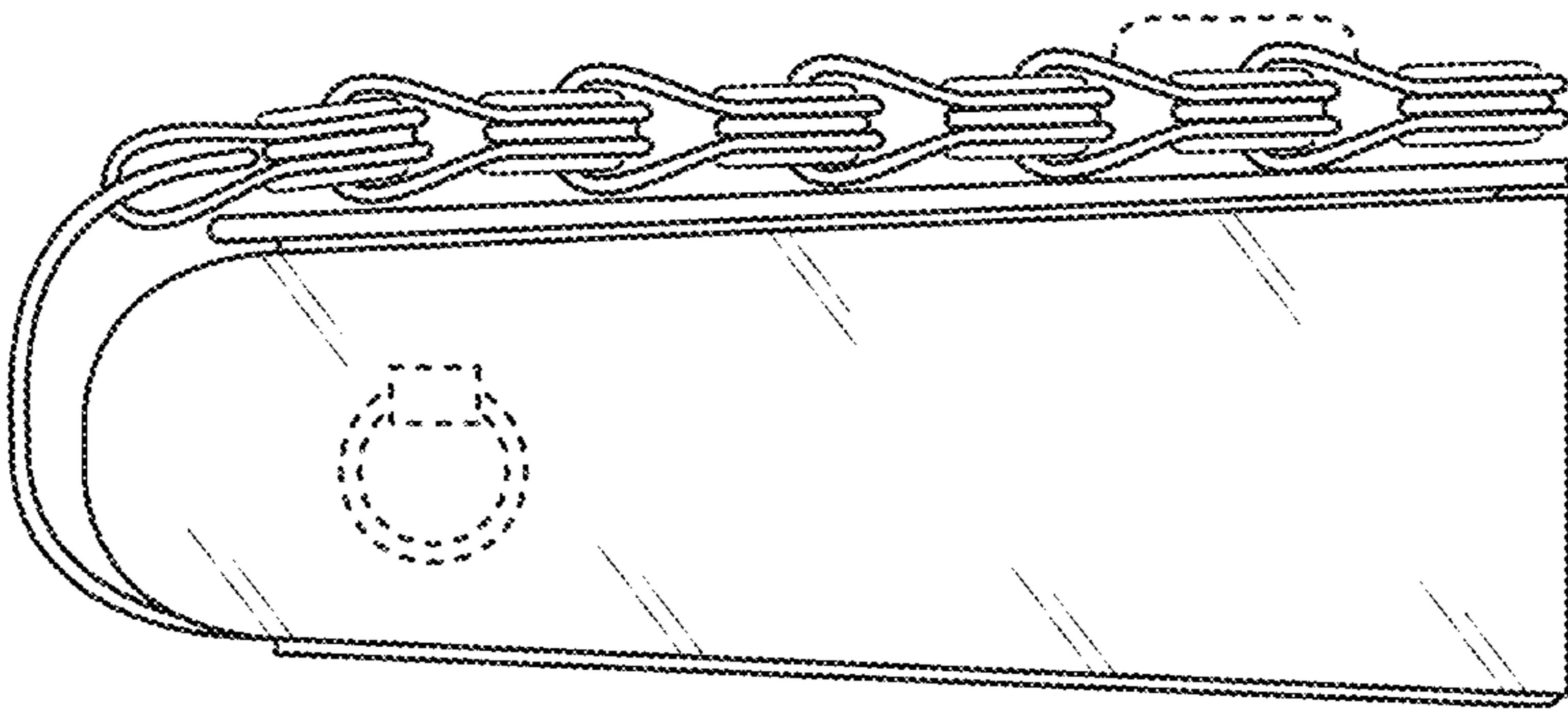


FIG. 7

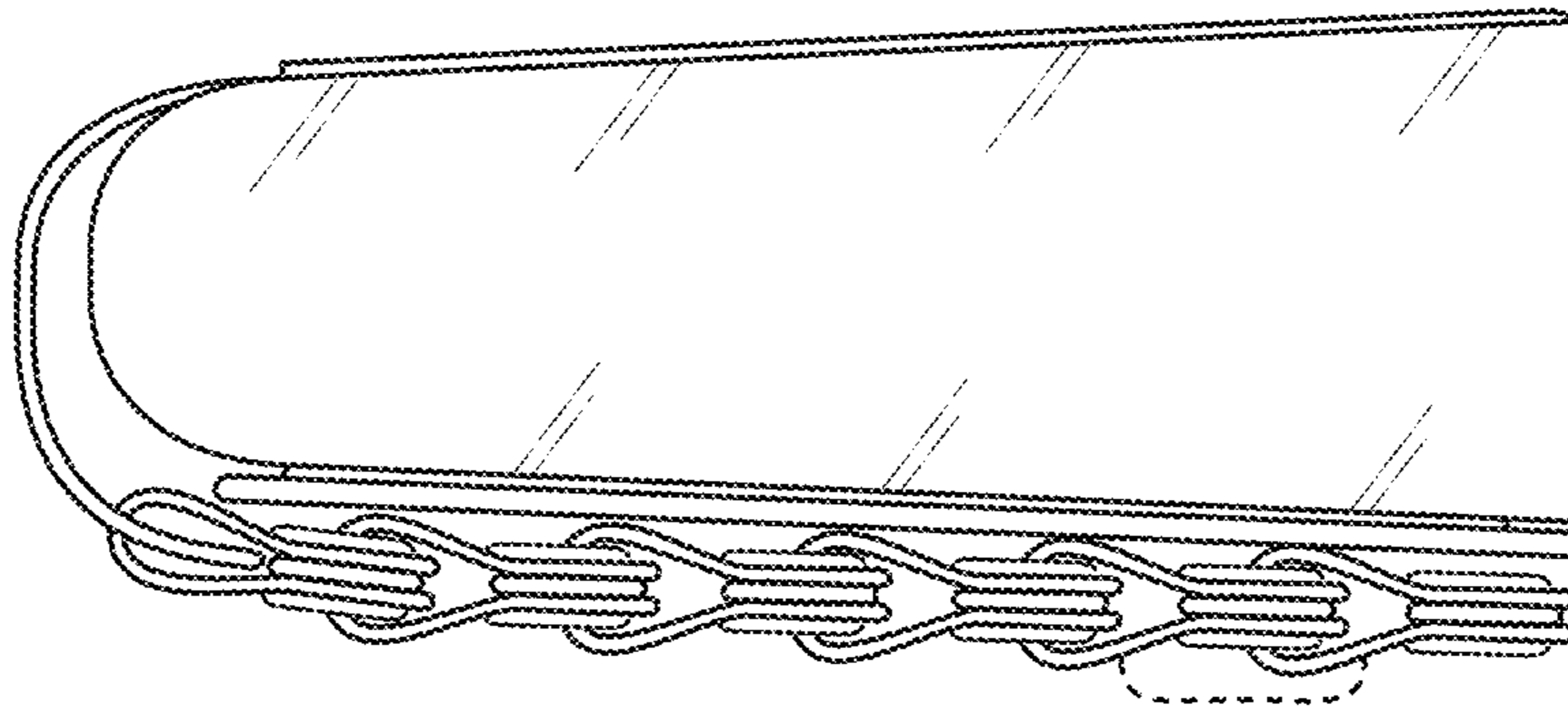


FIG. 8